



US00D910800S

(12) **United States Design Patent** (10) **Patent No.:** **US D910,800 S**
Heine et al. (45) **Date of Patent:** **** Feb. 16, 2021**

(54) **KNIFE**

- (71) Applicant: **Fiskars Finland Oy Ab**, Helsinki (FI)
- (72) Inventors: **Mikko Heine**, Helsinki (FI); **Teemu Sandelin**, Helsinki (FI); **Petteri Masalin**, Helsinki (FI)
- (73) Assignee: **FISKARS FINLAND OY AB**, Helsinki (FI)
- (**) Term: **15 Years**
- (21) Appl. No.: **29/656,593**
- (22) Filed: **Jul. 13, 2018**

Related U.S. Application Data

- (62) Division of application No. 29/574,399, filed on Aug. 15, 2016, now Pat. No. Des. 849,876.

Foreign Application Priority Data

- Feb. 29, 2016 (EM) 003006550
- (51) **LOC (13) Cl.** **22-02**
- (52) **U.S. Cl.**
USPC **D22/118**
- (58) **Field of Classification Search**
USPC D22/117, 118; D3/220; D8/71, 95, 96,
D8/97, 98, 99, 107

(Continued)

(56) **References Cited**

U.S. PATENT DOCUMENTS

- 1,754,543 A 4/1930 Callum
- D141,363 S 5/1945 Fairbairn et al.

(Continued)

FOREIGN PATENT DOCUMENTS

- CA 169391 * 3/2017

OTHER PUBLICATIONS

Fiskars website, Utility knives, Earliest publication date from Wayback Machine Mar. 3, 2017, [site visited Jun. 14, 2019], Available on the Internet URL <https://web.archive.org/web/20170303042601/https://www.fiskars.eu/products/gardening/utility-knives> (Year: 2017).*

Primary Examiner — Karen S Acker

Assistant Examiner — Steven B Reinholdt, Jr.

(74) *Attorney, Agent, or Firm* — Leason Ellis LLP

(57) **CLAIM**

We claim the ornamental design for a knife, as shown and described.

DESCRIPTION

The patent or application file contains at least one drawing executed in color. Copies of this patent or patent application publication with color drawing(s) will be provided by the Office upon request and payment of the necessary fee.

FIG. 1 is a rear perspective view of a first embodiment of a knife showing our new design;
 FIG. 2 is a rear view thereof;
 FIG. 3 is a left side view thereof;
 FIG. 4 is a right side view thereof;
 FIG. 5 is a front view thereof;
 FIG. 6 is an enlarged top view thereof;
 FIG. 7 is an enlarged bottom view thereof;
 FIG. 8 is a rear perspective view of the knife of FIGS. 1-7, now shown in shades of gray;
 FIG. 9 is a rear view thereof;
 FIG. 10 is a left side view thereof;
 FIG. 11 is a right side view thereof;
 FIG. 12 is a front view thereof;
 FIG. 13 is an enlarged top view thereof;
 FIG. 14 is an enlarged bottom view thereof;
 FIG. 15 is a rear perspective view of a second embodiment of the knife;
 FIG. 16 is a rear view thereof;
 FIG. 17 is a left side view thereof;
 FIG. 18 is a right side view thereof;
 FIG. 19 is a front view thereof;

(Continued)

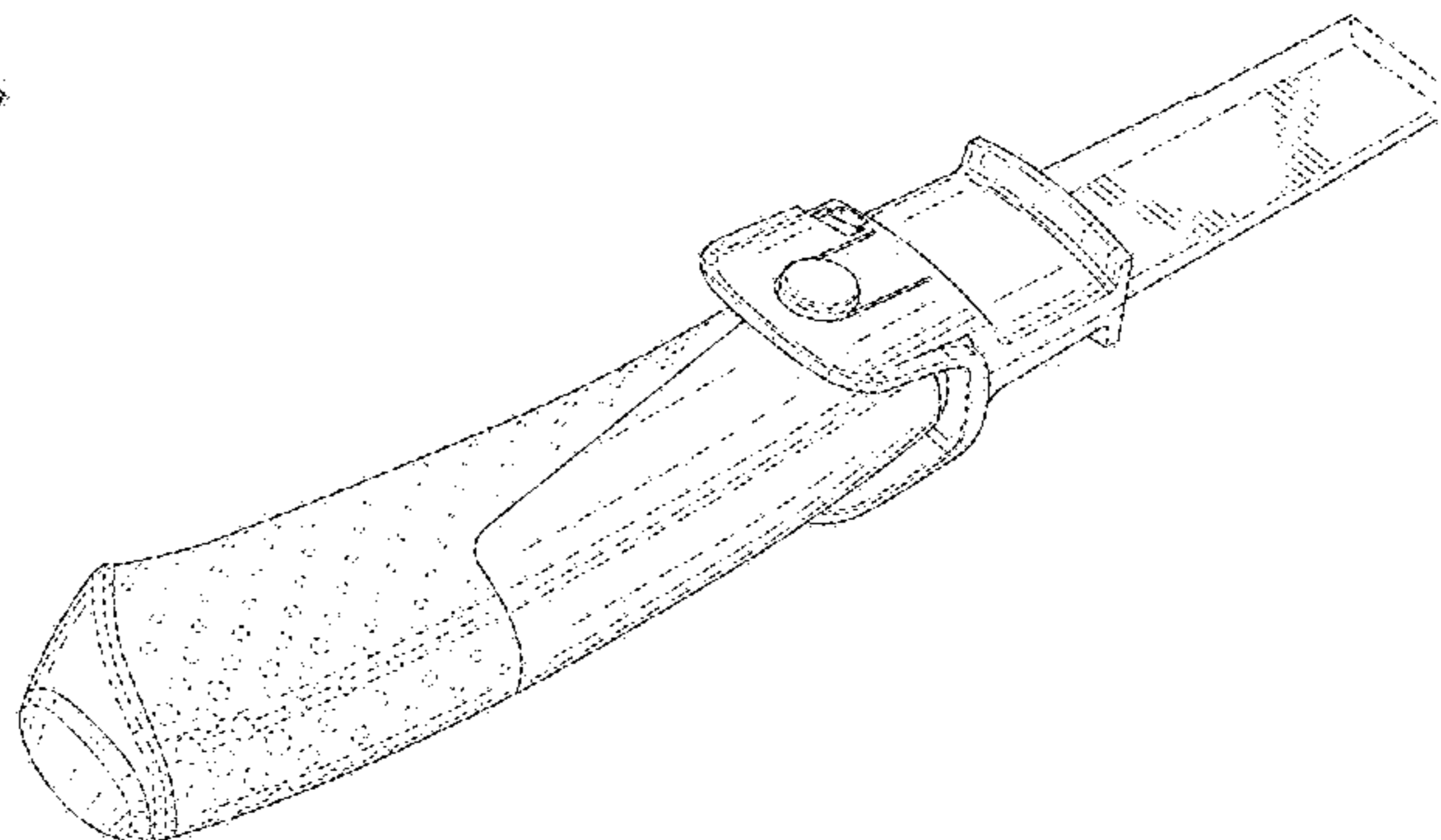
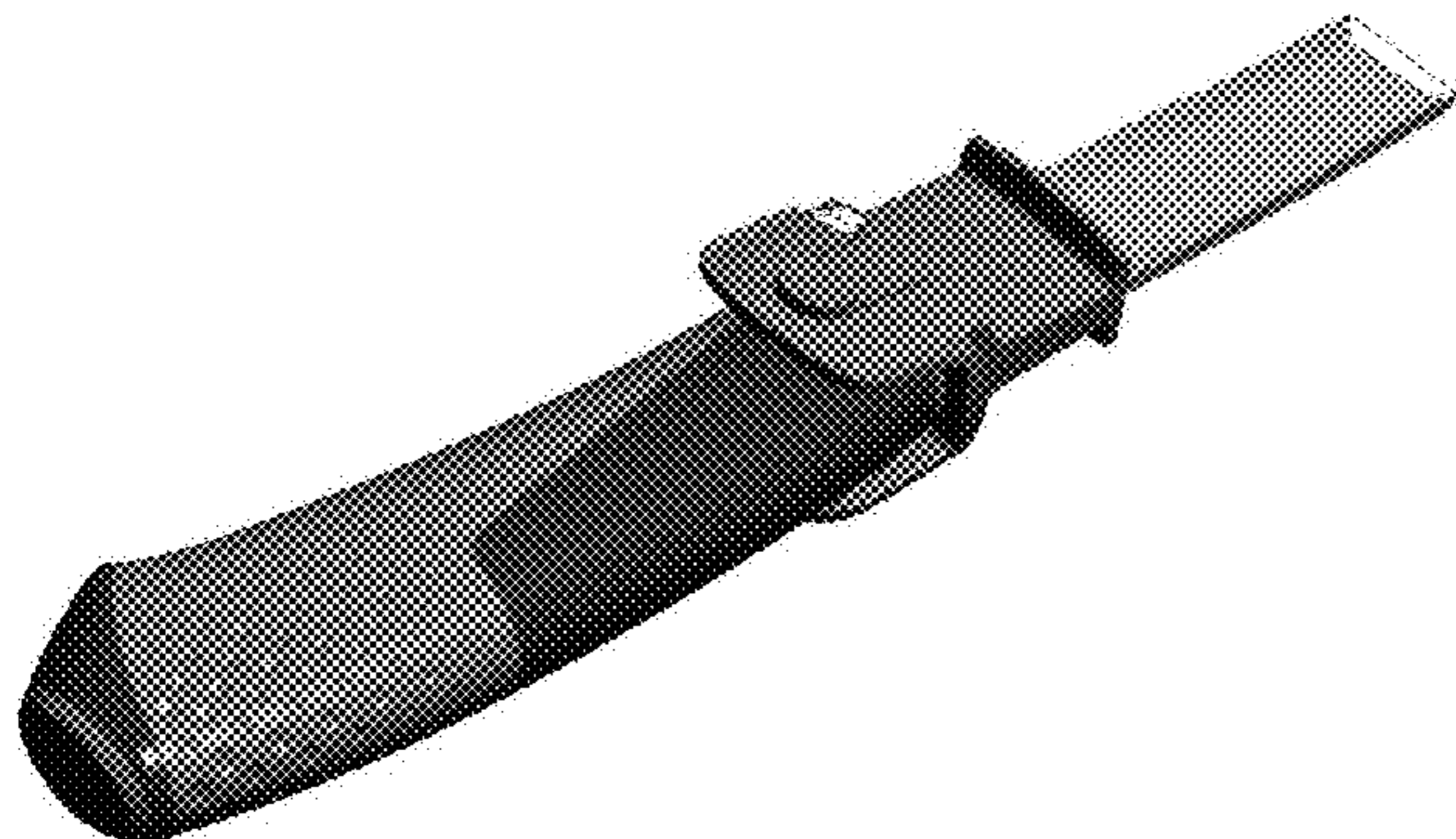


FIG. 20 is an enlarged top view thereof; and,
 FIG. 21 is an enlarged bottom view thereof.
 The broken lines and the areas within them depict portions
 of the knife that form no part of the claimed design.

**1 Claim, 15 Drawing Sheets
 (5 of 15 Drawing Sheet(s) Filed in Color)**

(58) **Field of Classification Search**
 CPC B24D 15/08; B24B 15/08; B26B 29/02;
 B26B 3/06
 See application file for complete search history.

(56) **References Cited**

U.S. PATENT DOCUMENTS

4,428,515	A	1/1984	Mayer	
4,573,268	A	3/1986	Call	
4,825,552	A	5/1989	Bendickson et al.	
D305,257	S	12/1989	Bendickson et al.	
D359,789	S	6/1995	Seber et al.	
D366,408	S	1/1996	Sessions et al.	
5,495,670	A	3/1996	Quinn	
D368,951	S	4/1996	Buck et al.	
5,511,310	A	4/1996	Sessions et al.	
5,528,834	A	6/1996	Seber et al.	
D374,597	S	10/1996	Birkholz et al.	
5,575,070	A	11/1996	Anderson	
D383,370	S	9/1997	Chen et al.	
D410,189	S	5/1999	Wehrs et al.	
D411,780	S *	7/1999	Muller	D7/395
D413,503	S	9/1999	Dugdale	
D416,973	S	11/1999	Ahlund	
D439,495	S	3/2001	McCalla et al.	
D494,830	S *	8/2004	Konen	D8/107
D519,798	S	5/2006	Dallas	
D519,818	S	5/2006	Knopow et al.	
D553,468	S	10/2007	Freeman	
D567,033	S	4/2008	Seidenfaden	
D568,695	S	5/2008	Seidenfaden	
D572,793	S *	7/2008	Buck	D22/118
D574,055	S *	7/2008	Buck	D22/118
D581,241	S	11/2008	Freeman	
D582,243	S	12/2008	Freeman et al.	
D582,747	S	12/2008	Freeman et al.	
D610,646	S	2/2010	Harsey, Jr. et al.	
D612,706	S *	3/2010	Libman	D32/52
D614,933	S	5/2010	Freeman et al.	
D631,292	S	1/2011	Bodum	
D636,051	S	4/2011	Freeman et al.	
D636,052	S	4/2011	Freeman et al.	
D636,053	S	4/2011	Freeman et al.	
D638,903	S	5/2011	Norling	
D638,904	S	5/2011	Freeman et al.	
D639,632	S	6/2011	Freeman et al.	
8,046,922	B2	11/2011	Eby et al.	

D661,169	S	6/2012	Tinius	
D661,367	S	6/2012	Seeds et al.	
D696,567	S	12/2013	Leh et al.	
D696,919	S	1/2014	Leh et al.	
D696,920	S	1/2014	Cagampang et al.	
D699,315	S	2/2014	Seeds et al.	
D700,675	S	3/2014	Seeds et al.	
D704,009	S	5/2014	Wandrup	
D708,476	S	7/2014	Wandrup	
D708,477	S	7/2014	Wandrup	
D708,488	S	7/2014	Wandrup	
D709,982	S	7/2014	Freeman et al.	
D709,983	S	7/2014	Cagampang	
D716,127	S	10/2014	Leh et al.	
8,893,389	B2	11/2014	Freeman	
D720,969	S	1/2015	Lipscomb et al.	
8,959,780	B2	2/2015	Masalin et al.	
D724,312	S	3/2015	Wikstrom et al.	
D737,110	S	8/2015	Schuft	
9,144,201	B2	9/2015	Vanttila et al.	
D741,680	S	10/2015	Hunter et al.	
9,174,348	B2	11/2015	Savolainen et al.	
D744,299	S	12/2015	Lipscomb et al.	
D744,793	S	12/2015	Lipscomb et al.	
D746,585	S	1/2016	Burge et al.	
D747,160	S	1/2016	Makela	
D747,161	S	1/2016	Makela	
D749,392	S	2/2016	Salojarvi et al.	
D749,917	S	2/2016	Roberts et al.	
9,296,116	B2	3/2016	Descombes et al.	
D770,254	S *	11/2016	Honadel	D8/75
D770,255	S *	11/2016	Honadel	D8/75
D770,256	S *	11/2016	Honadel	D8/75
D770,257	S *	11/2016	Stokes	D8/75
D770,258	S *	11/2016	Stokes	D8/76
D770,259	S *	11/2016	Stokes	D8/76
D770,875	S *	11/2016	Honadel	D8/75
D772,671	S *	11/2016	Stokes	D8/75
D784,007	S	4/2017	Sokka et al.	
9,770,837	B2	9/2017	Heine et al.	
D809,863	S	2/2018	Yamada	
D810,543	S *	2/2018	Astradsson	D8/307
D814,886	S	4/2018	McMahon	
D822,444	S	7/2018	McGuyer	
D826,365	S *	8/2018	Sheikh	D22/117
D840,774	S *	2/2019	Dechant	D8/14
D840,781	S *	2/2019	Honadel	D8/99
D843,808	S *	3/2019	Bloch	D8/99
D844,407	S *	4/2019	Stokes	D8/99
D847,601	S *	5/2019	Dechant	D8/95
D847,603	S *	5/2019	Stokes	D8/99
D848,235	S *	5/2019	Dechant	D8/99
D848,237	S *	5/2019	Astradsson	D8/107
D850,571	S *	6/2019	Heine	D22/118
2006/0080840	A1	4/2006	Freeman	
2008/0250652	A1 *	10/2008	Fellhoelter	B26B 3/06 30/164
2017/0246752	A1 *	8/2017	Heine	A45F 5/021
2018/0200903	A1 *	7/2018	Robinson	B26B 3/00

* cited by examiner

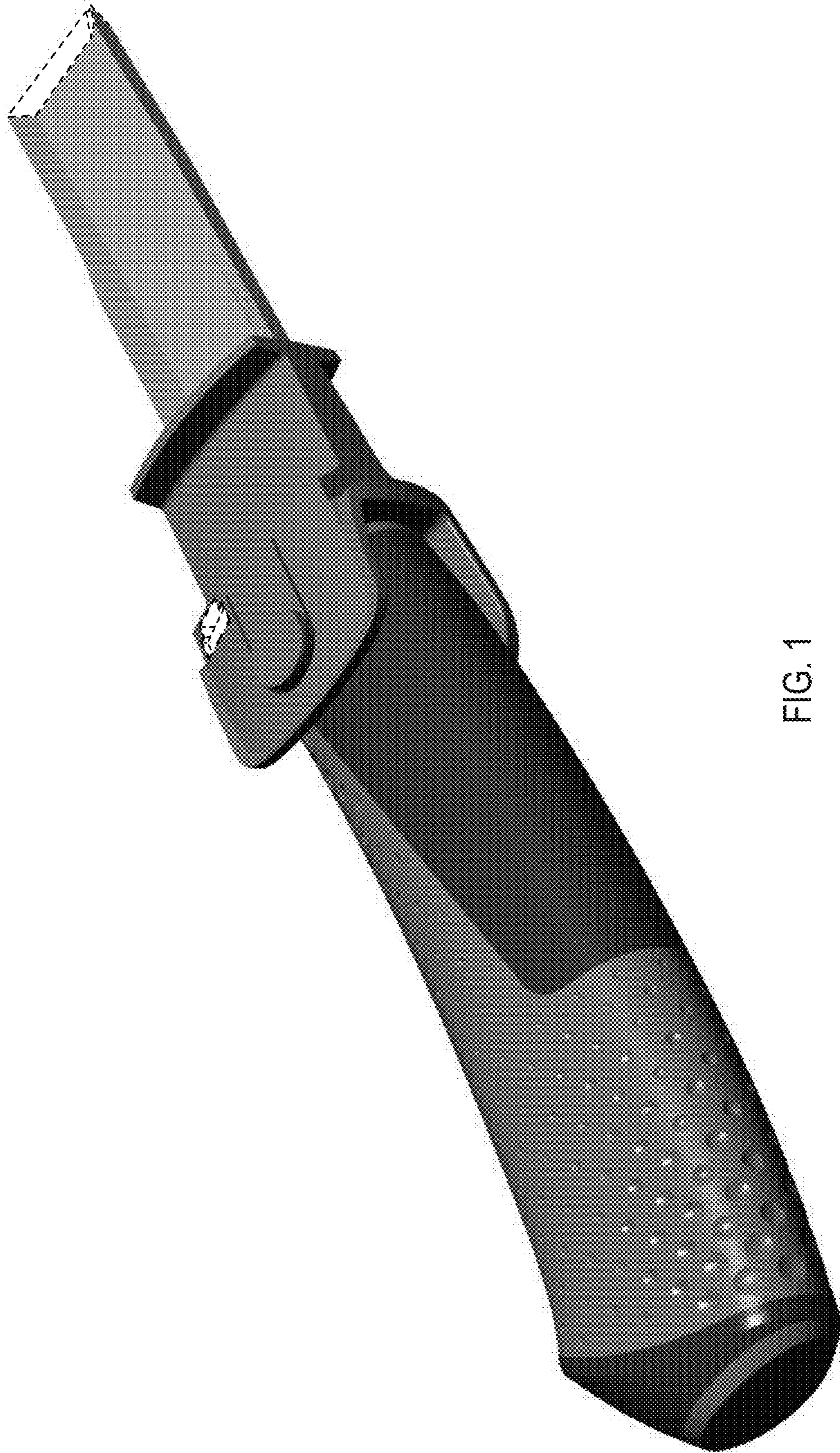


FIG. 1

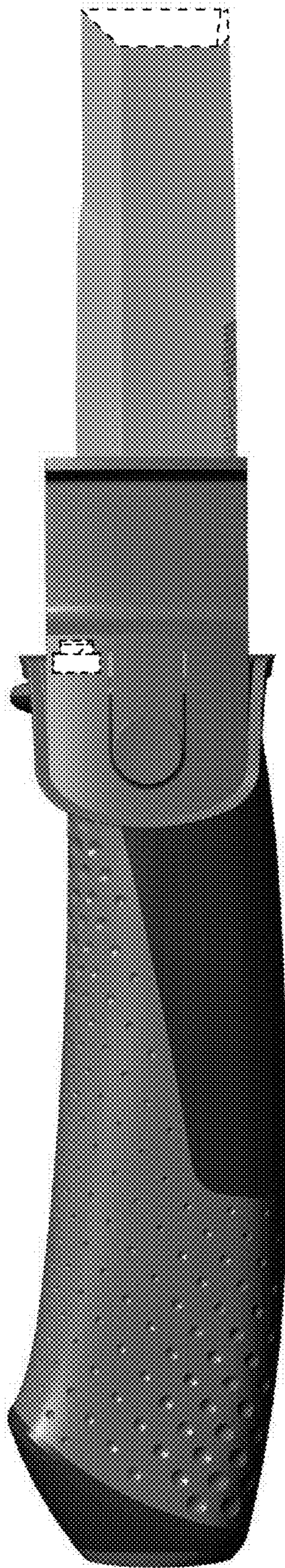


FIG. 2

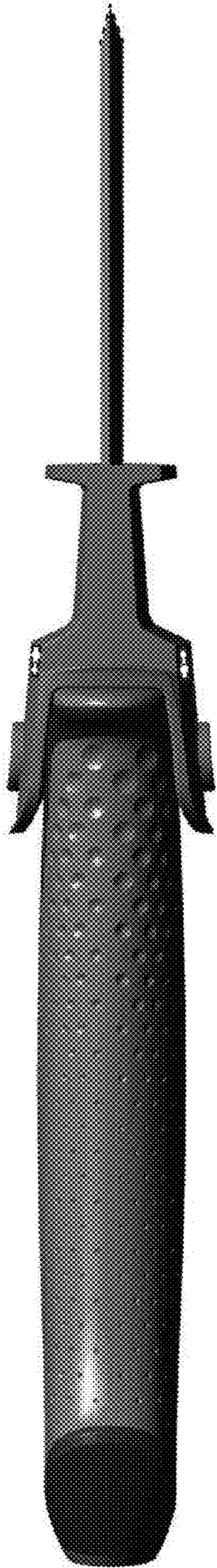


FIG. 3

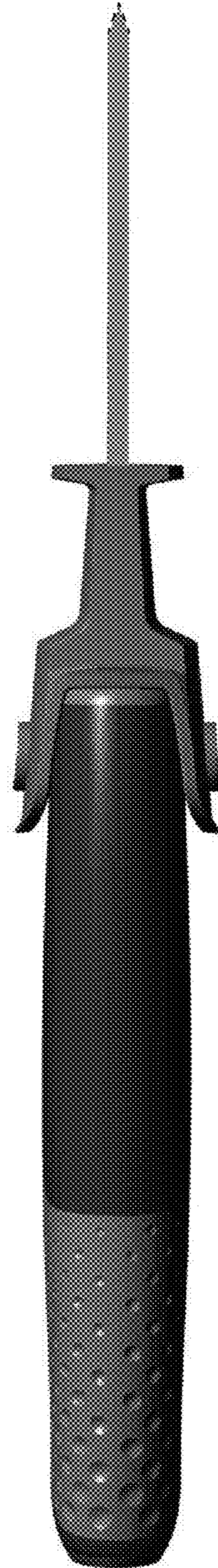


FIG. 4

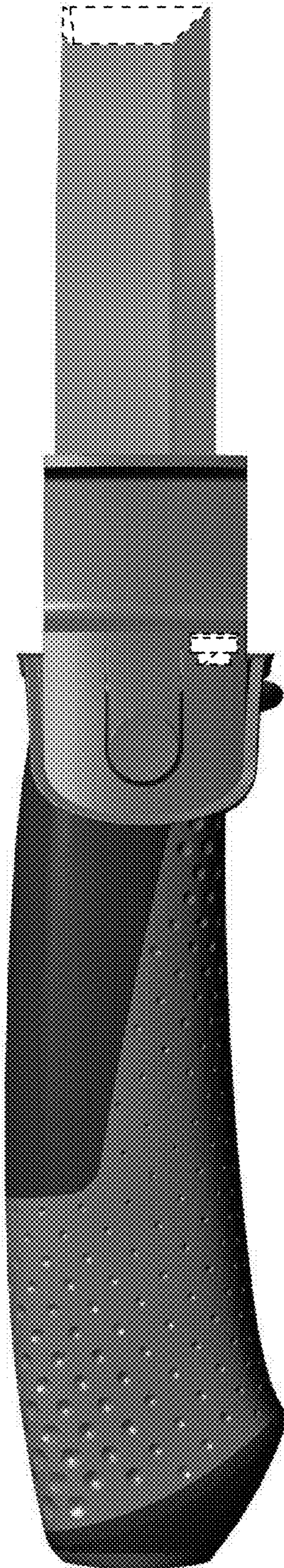


FIG. 5

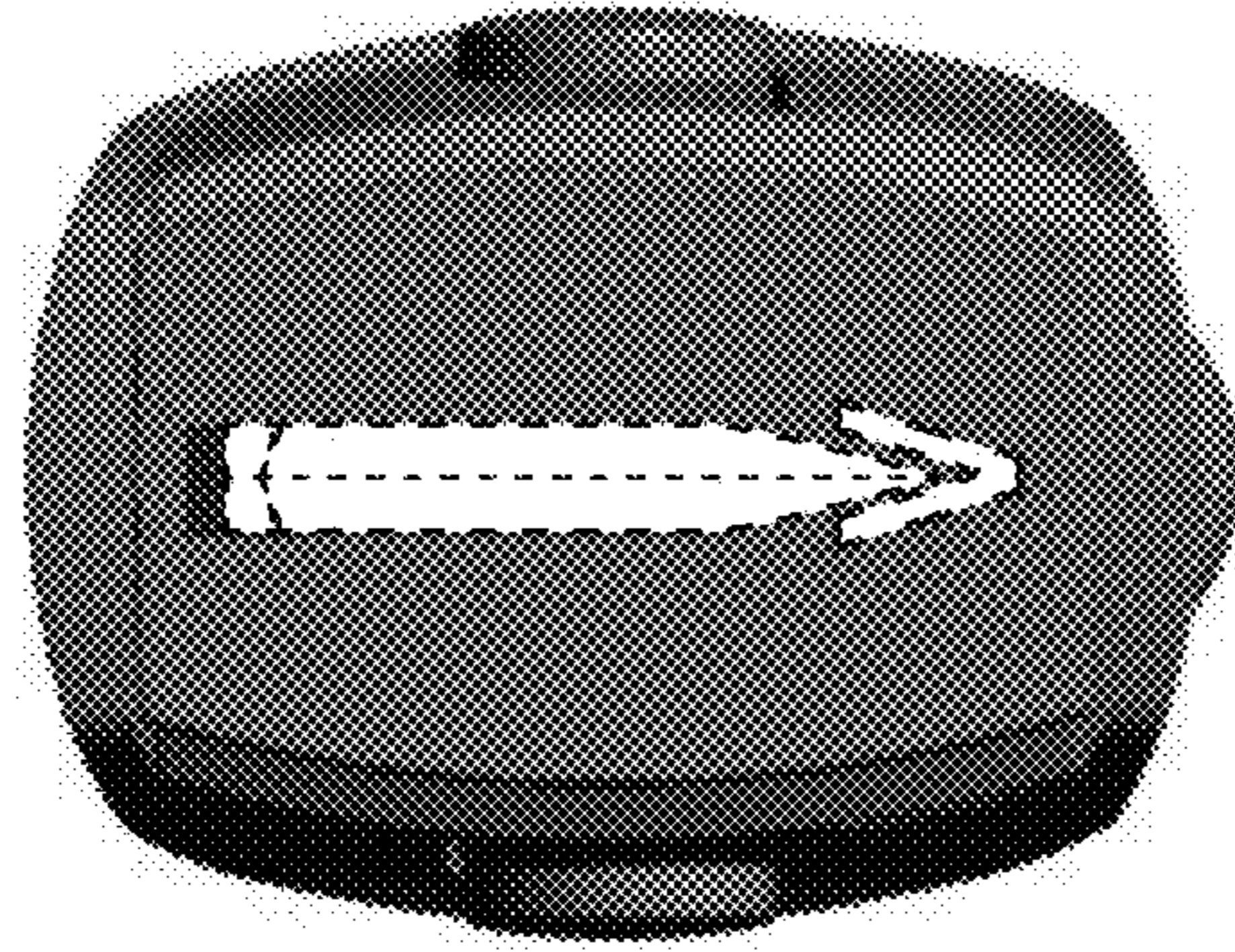


FIG. 6

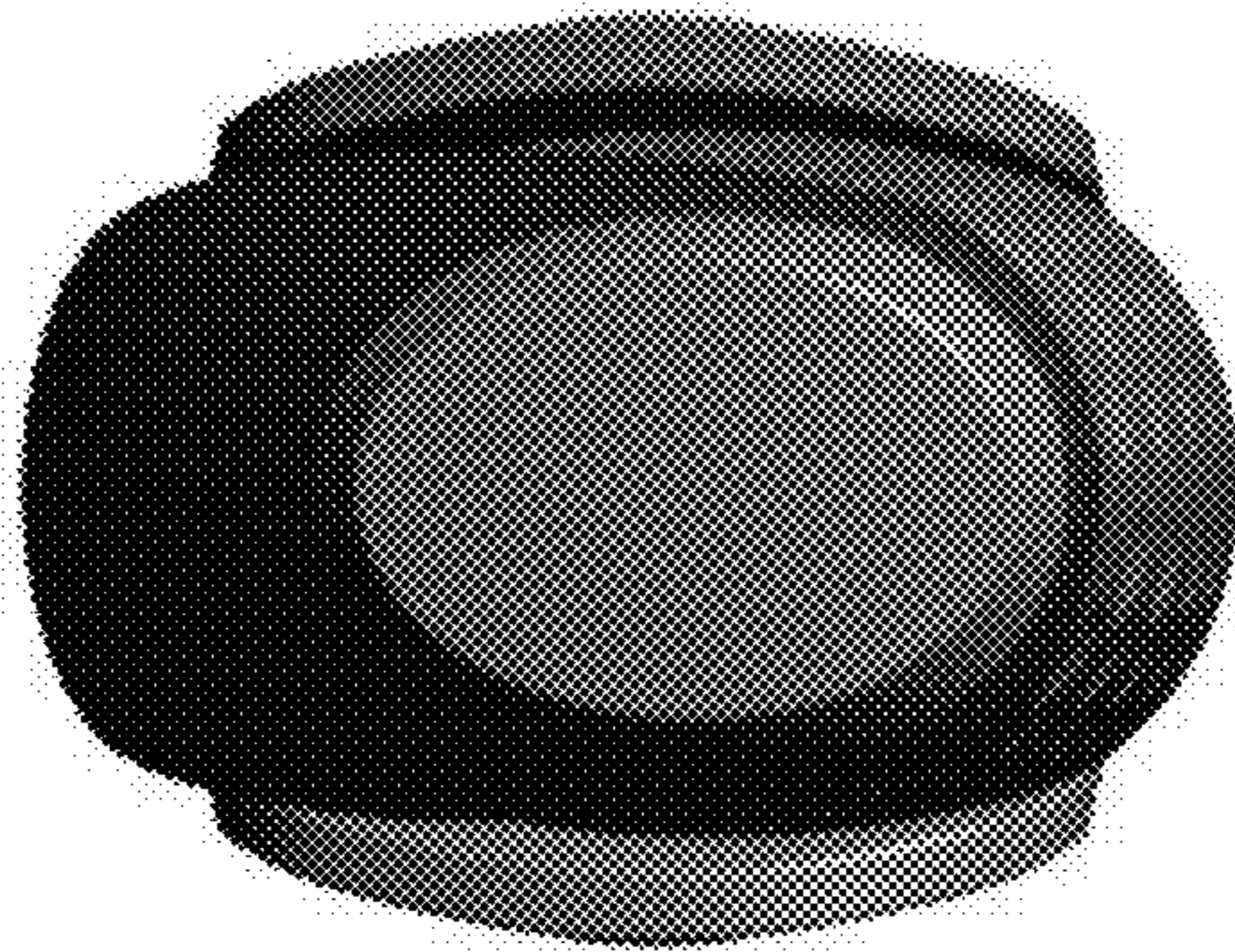


FIG. 7

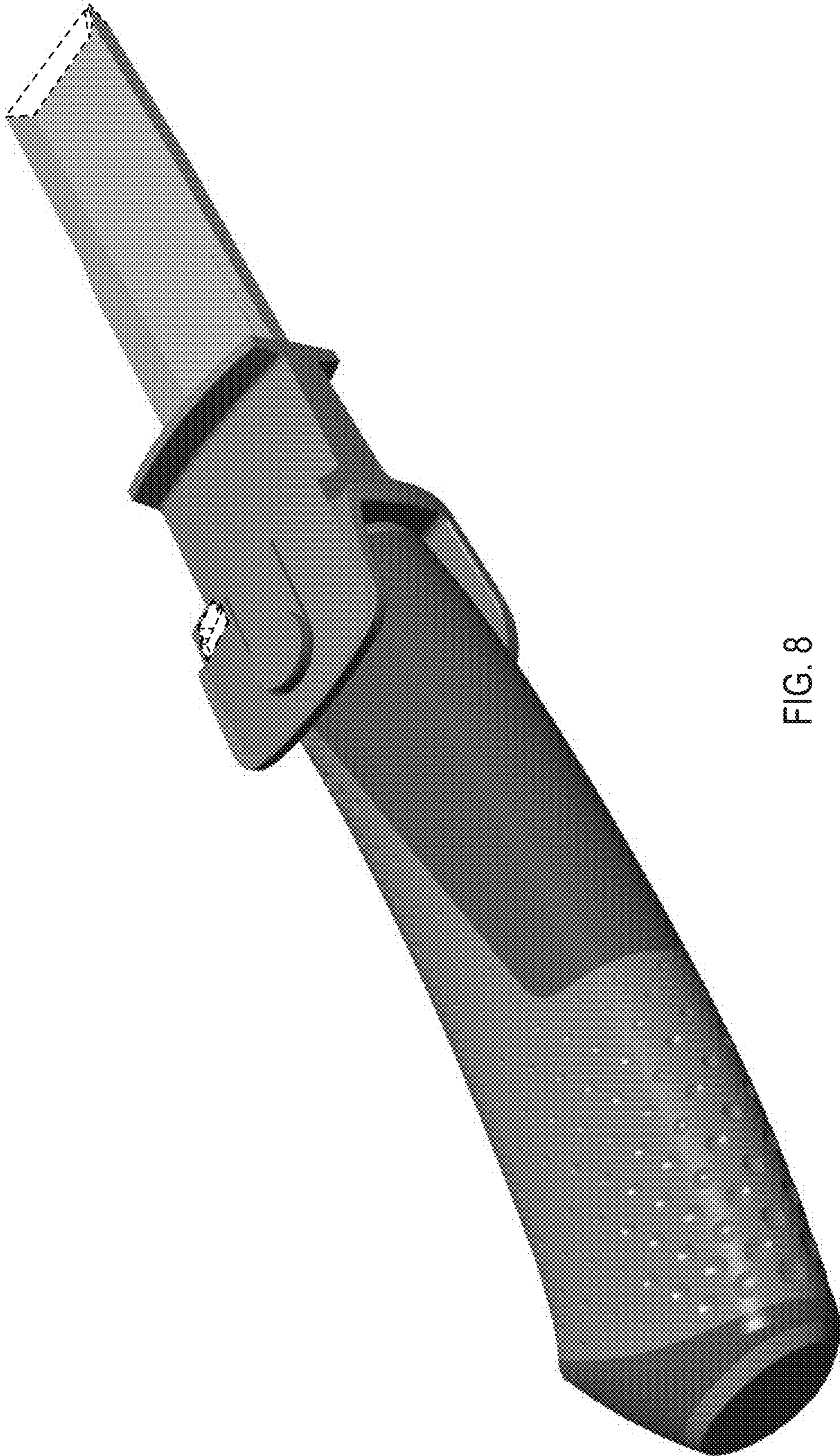


FIG. 8

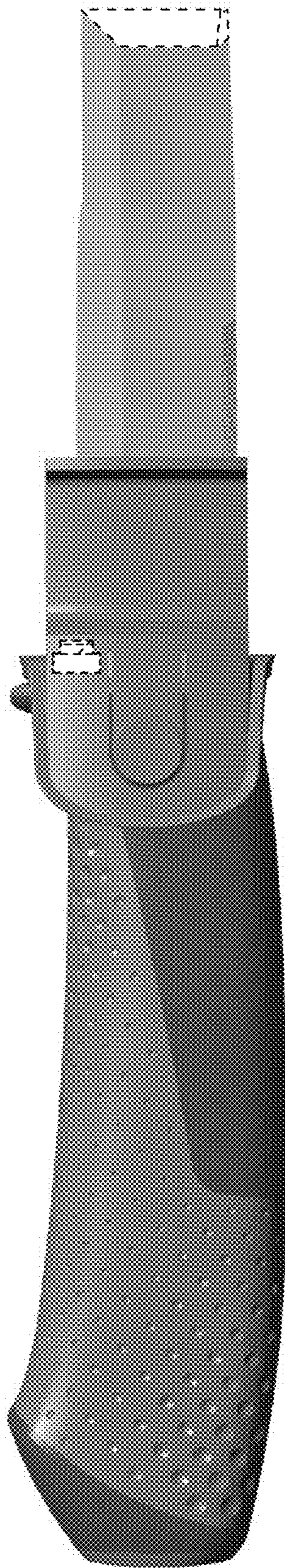


FIG. 9

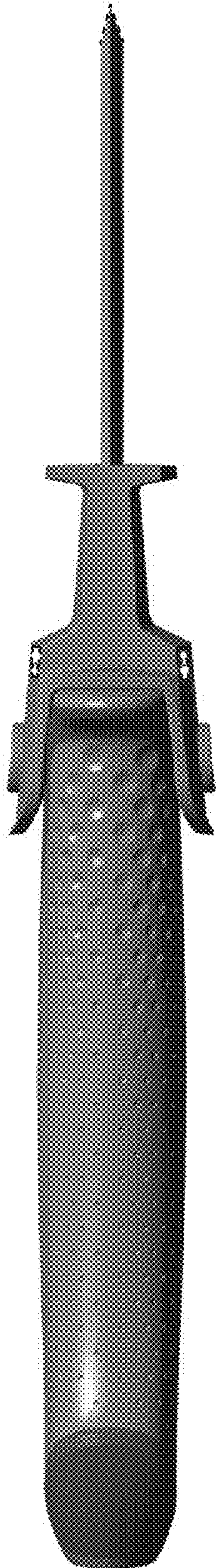


FIG. 10

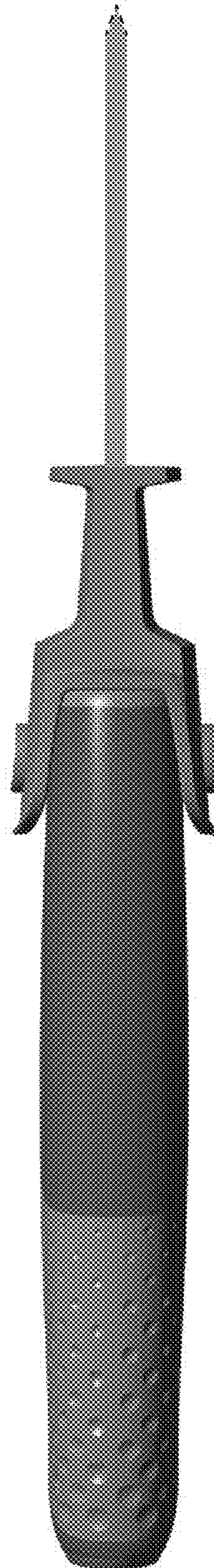


FIG. 11

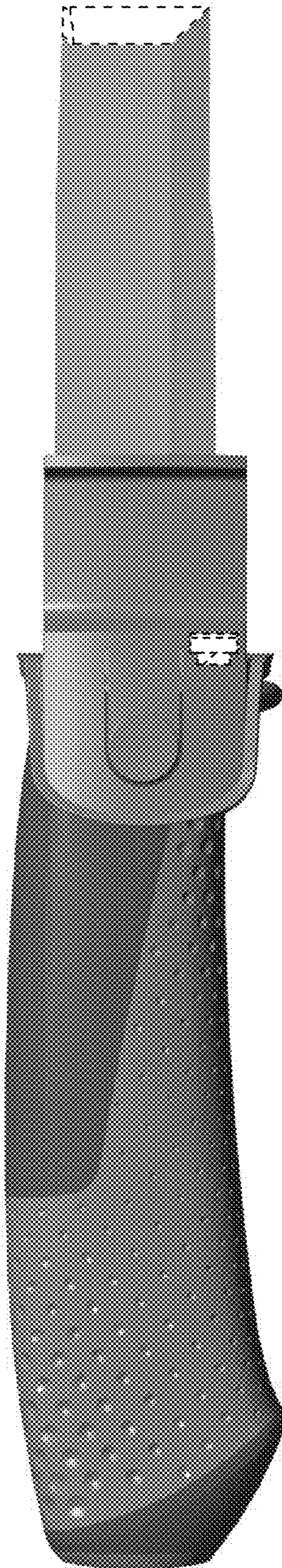


FIG. 12

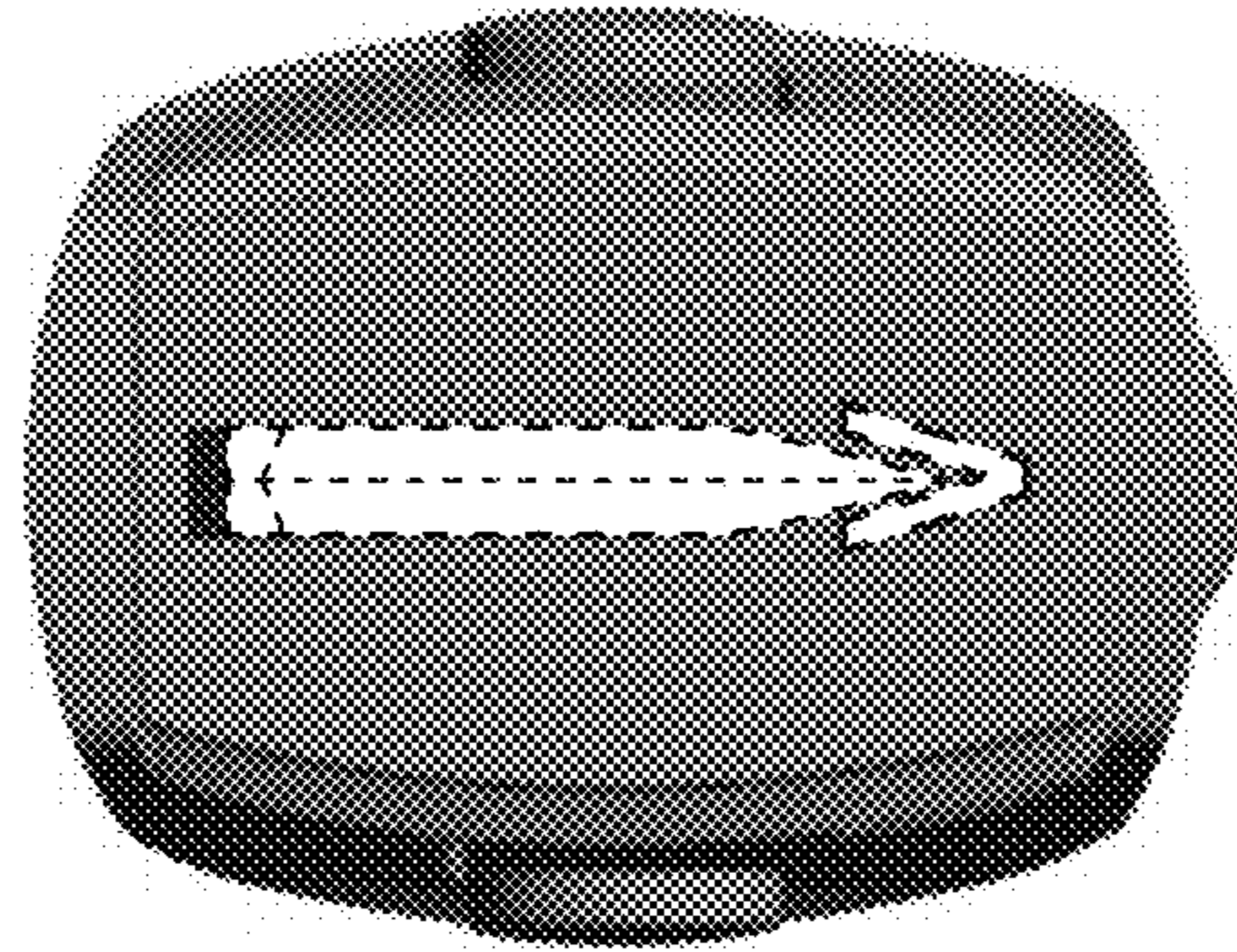


FIG. 13

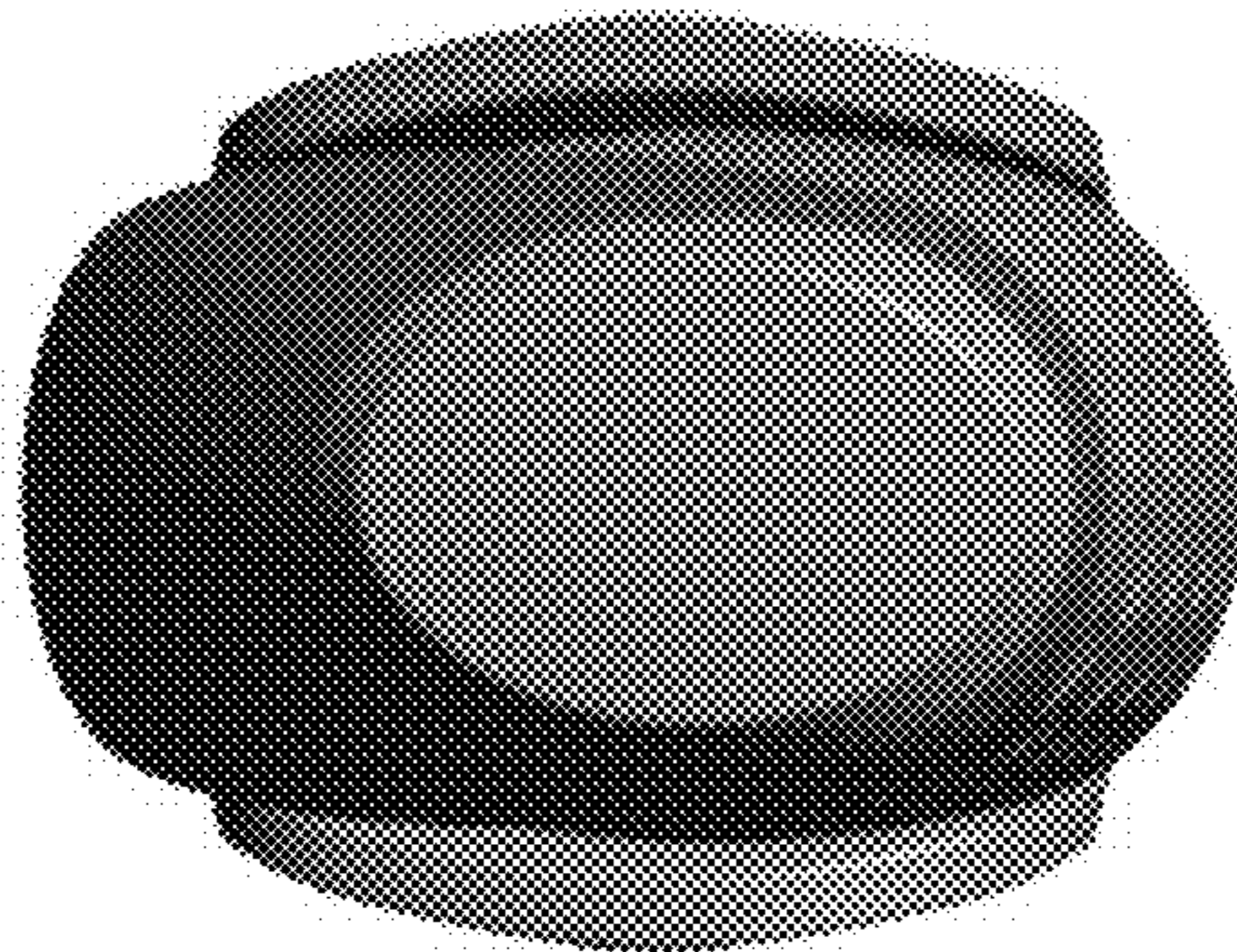


FIG. 14

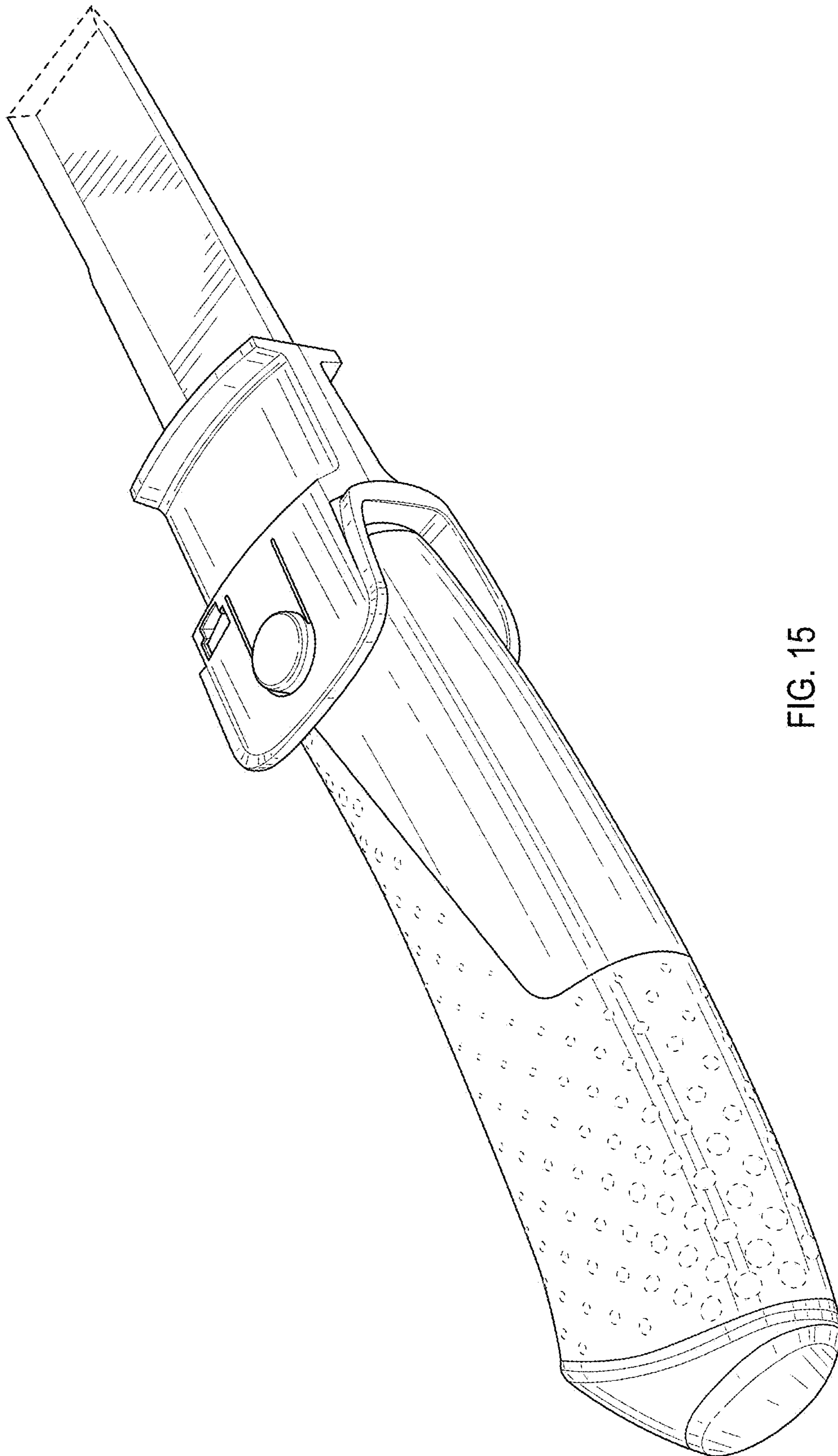


FIG. 15

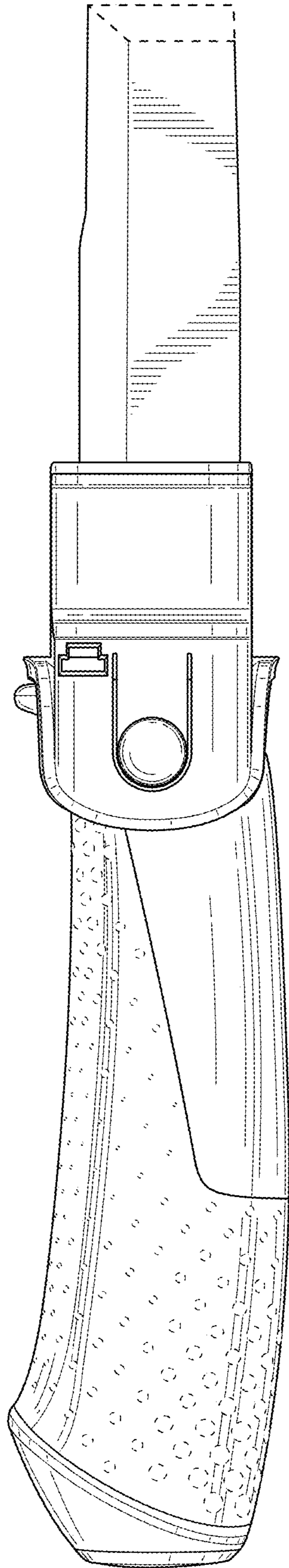


FIG. 16

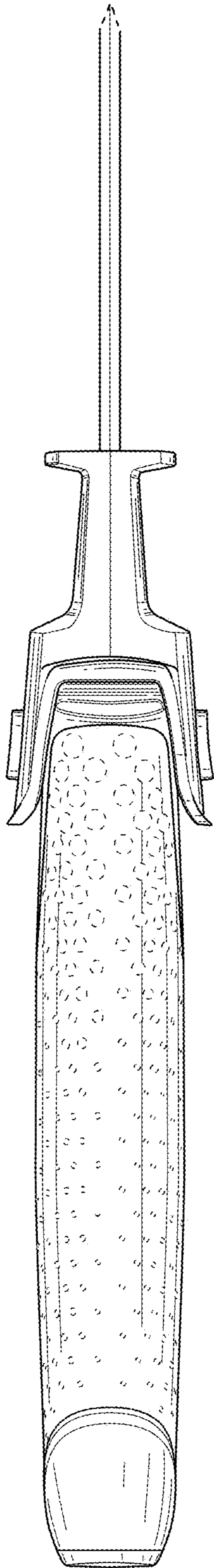


FIG. 17

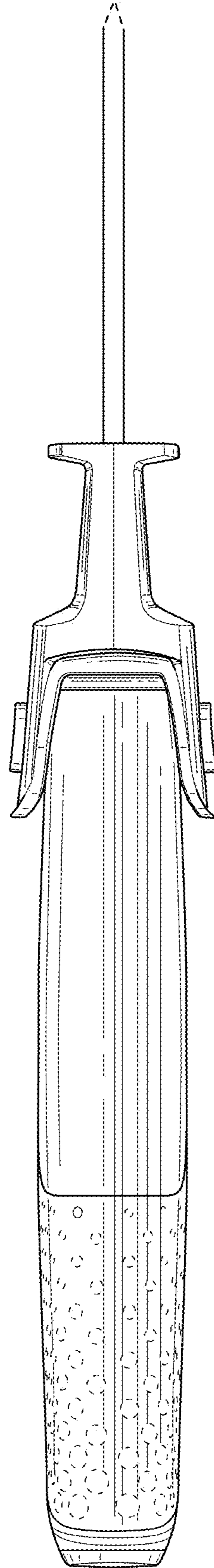


FIG. 18

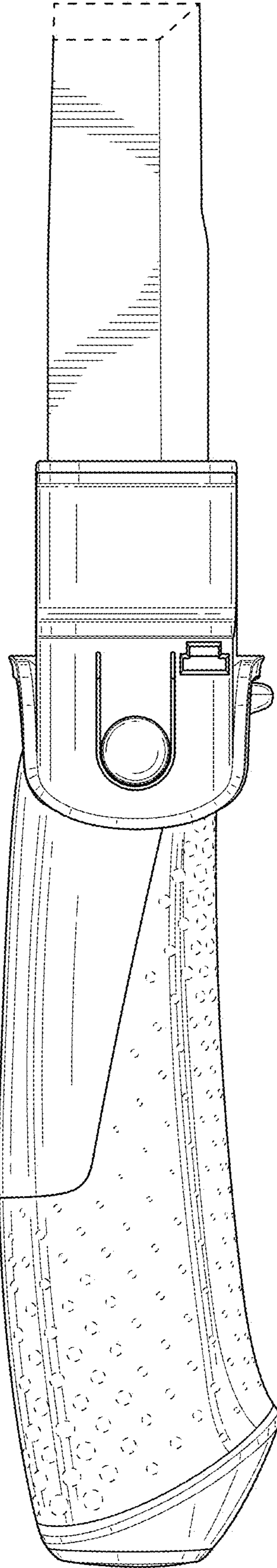


FIG. 19

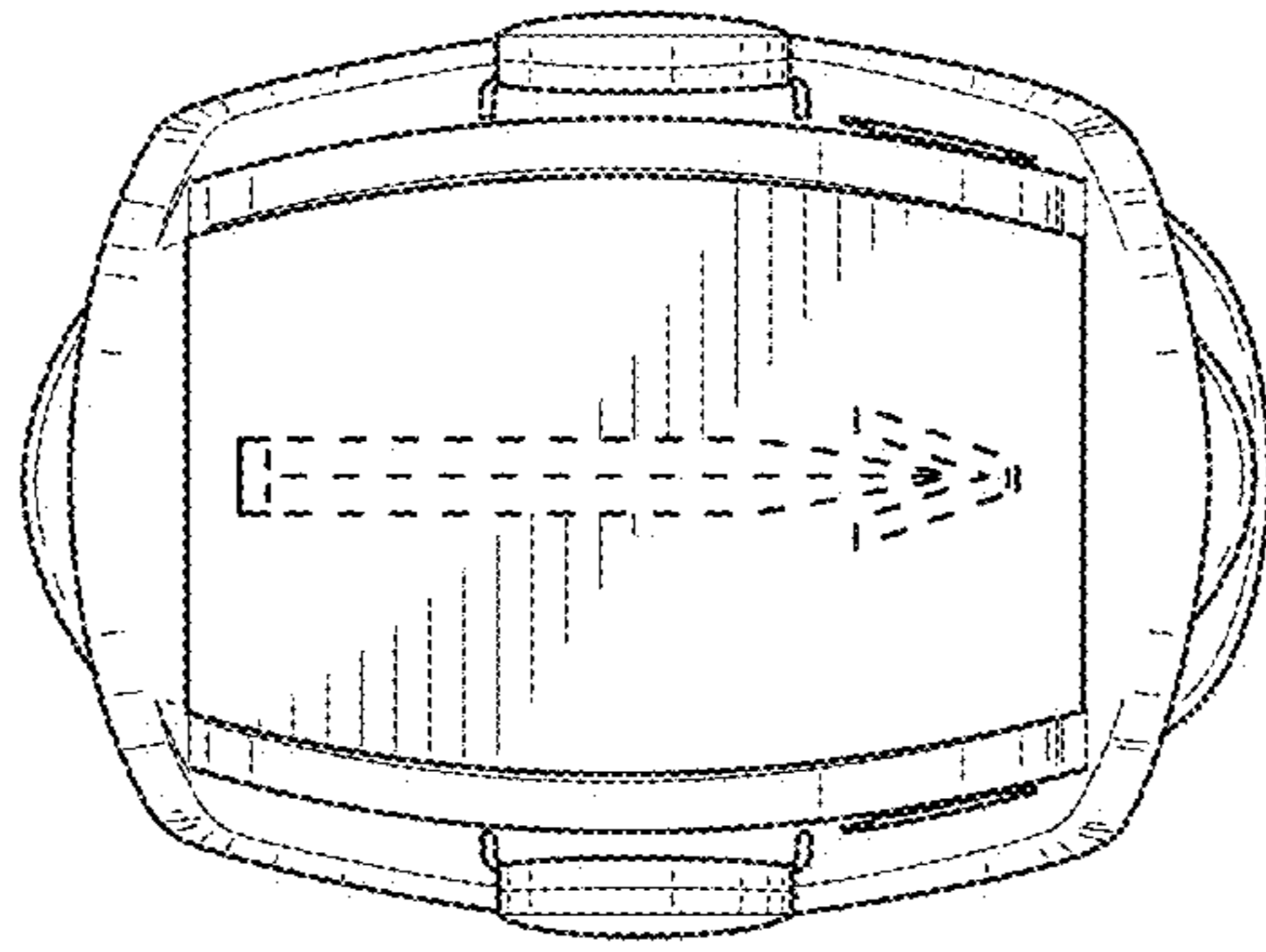


FIG. 20

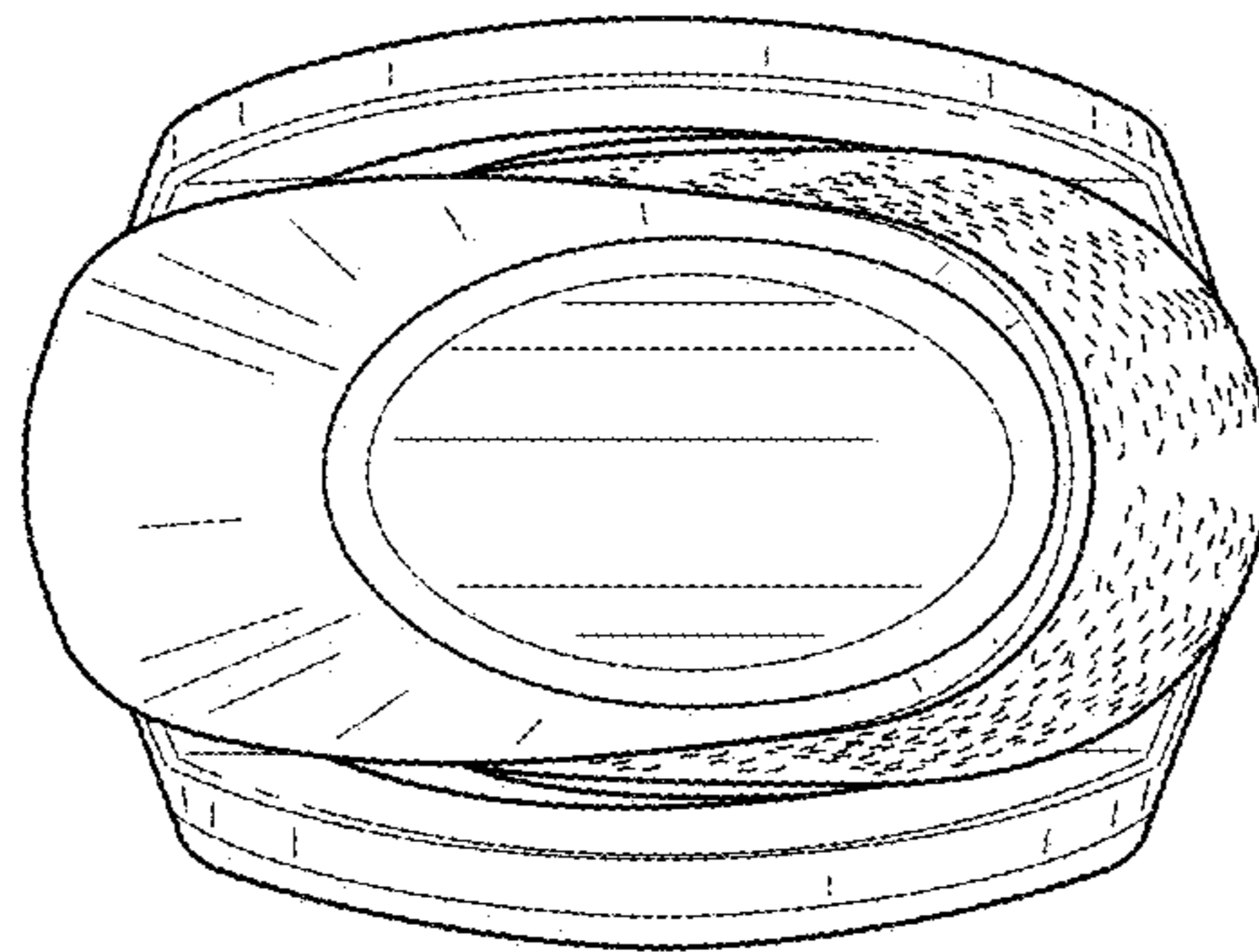


FIG. 21