



US00D910799S

(12) **United States Design Patent**
Staats

(10) **Patent No.:** **US D910,799 S**

(45) **Date of Patent:** **** Feb. 16, 2021**

(54) **SHOOTING TARGET**

(71) Applicant: **Ryan Staats**, Blairsville, PA (US)

(72) Inventor: **Ryan Staats**, Blairsville, PA (US)

(**) Term: **15 Years**

(21) Appl. No.: **29/706,840**

(22) Filed: **Sep. 24, 2019**

(51) **LOC (13) Cl.** **22-04**

(52) **U.S. Cl.**
USPC **D22/113**

(58) **Field of Classification Search**

USPC D22/113, 199; D21/302, 790

CPC ... A47F 5/02; A47F 5/04; A47F 7/0064; F41J
1/00; F41J 1/10

See application file for complete search history.

(56) **References Cited**

U.S. PATENT DOCUMENTS

8,807,570 B1 * 8/2014 Zalar F41J 7/04
273/390

10,288,389 B1 * 5/2019 Wadsworth F41J 5/14

10,718,595 B2 * 7/2020 Barnette F42B 10/06

2019/0212108 A1 * 7/2019 Laporte F41J 9/30

* cited by examiner

Primary Examiner — Michael A. Pratt

(74) *Attorney, Agent, or Firm* — Quickpatents, LLC;
Kevin Prince

(57) **CLAIM**

The ornamental design for a shooting target, as shown and described.

DESCRIPTION

FIG. 1 is a front perspective view of a shooting target, showing my new design with a target and a plurality of shooting clays;

FIG. 2 is a rear perspective view thereof;

FIG. 3 is a rear perspective view thereof, the target and shooting clays omitted for clarity of illustration;

FIG. 4 is a front elevational view of FIG. 3;

FIG. 5 is a rear elevational view of FIG. 3;

FIG. 6 is a left-side elevational view of FIG. 3;

FIG. 7 is a right-side elevational view of FIG. 3;

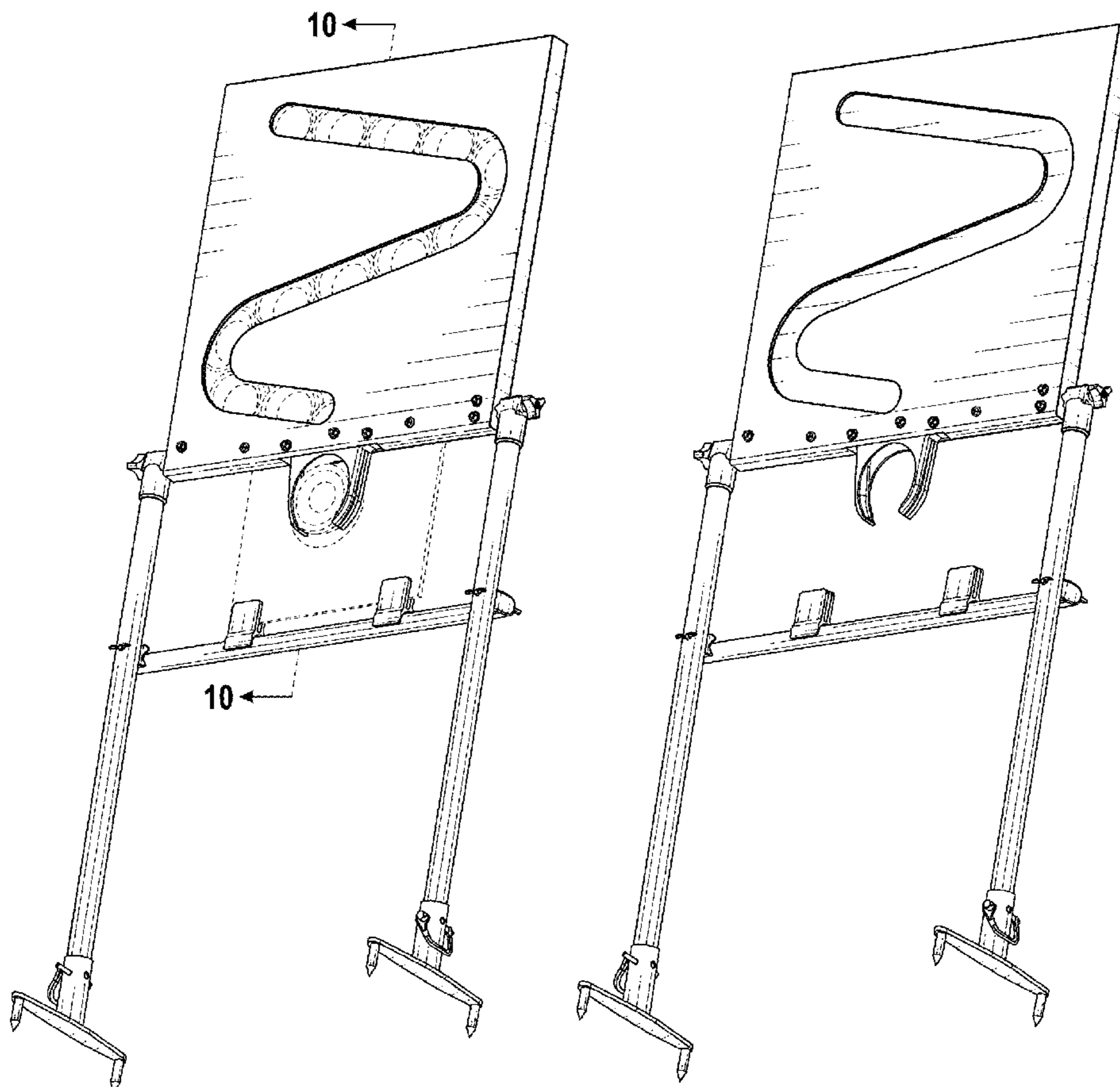
FIG. 8 is a top plan view of FIG. 3;

FIG. 9 is a bottom plan view of FIG. 3; and,

FIG. 10 is a perspective cross-sectional view of FIG. 3, taken along line 10--10 of FIG. 4.

The broken lines showing a target and a plurality of shooting clays in FIGS. 1 and 2 depict environmental matter and form no part of the claimed design.

1 Claim, 8 Drawing Sheets



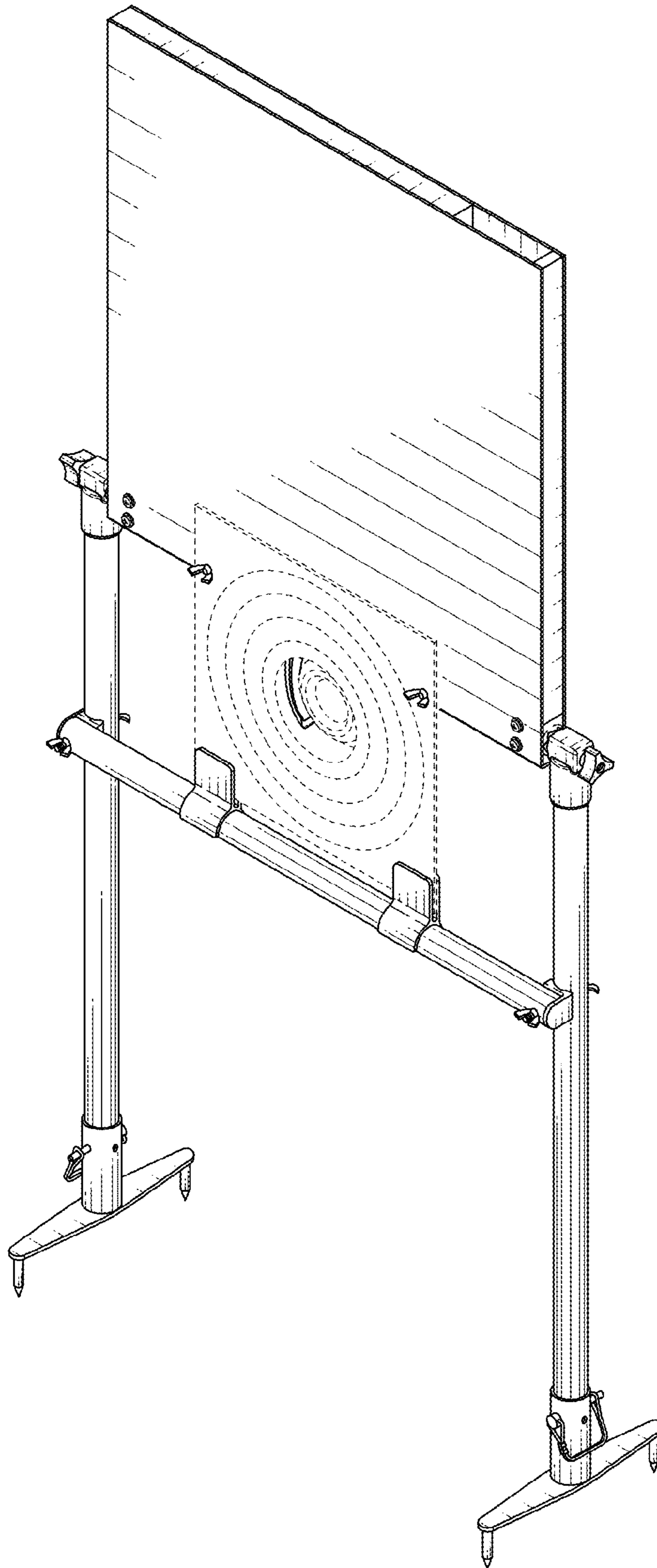


FIG. 1

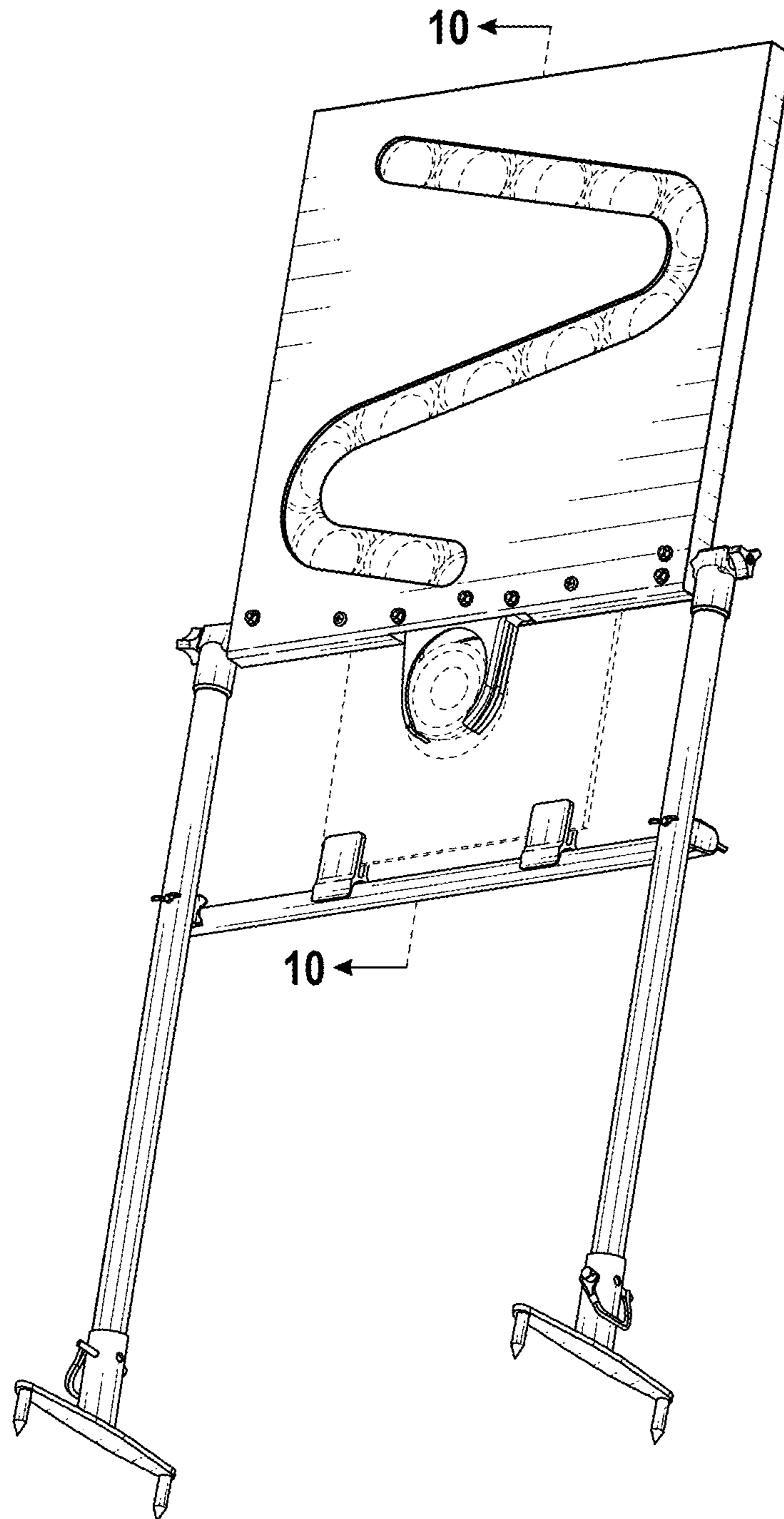


FIG. 2

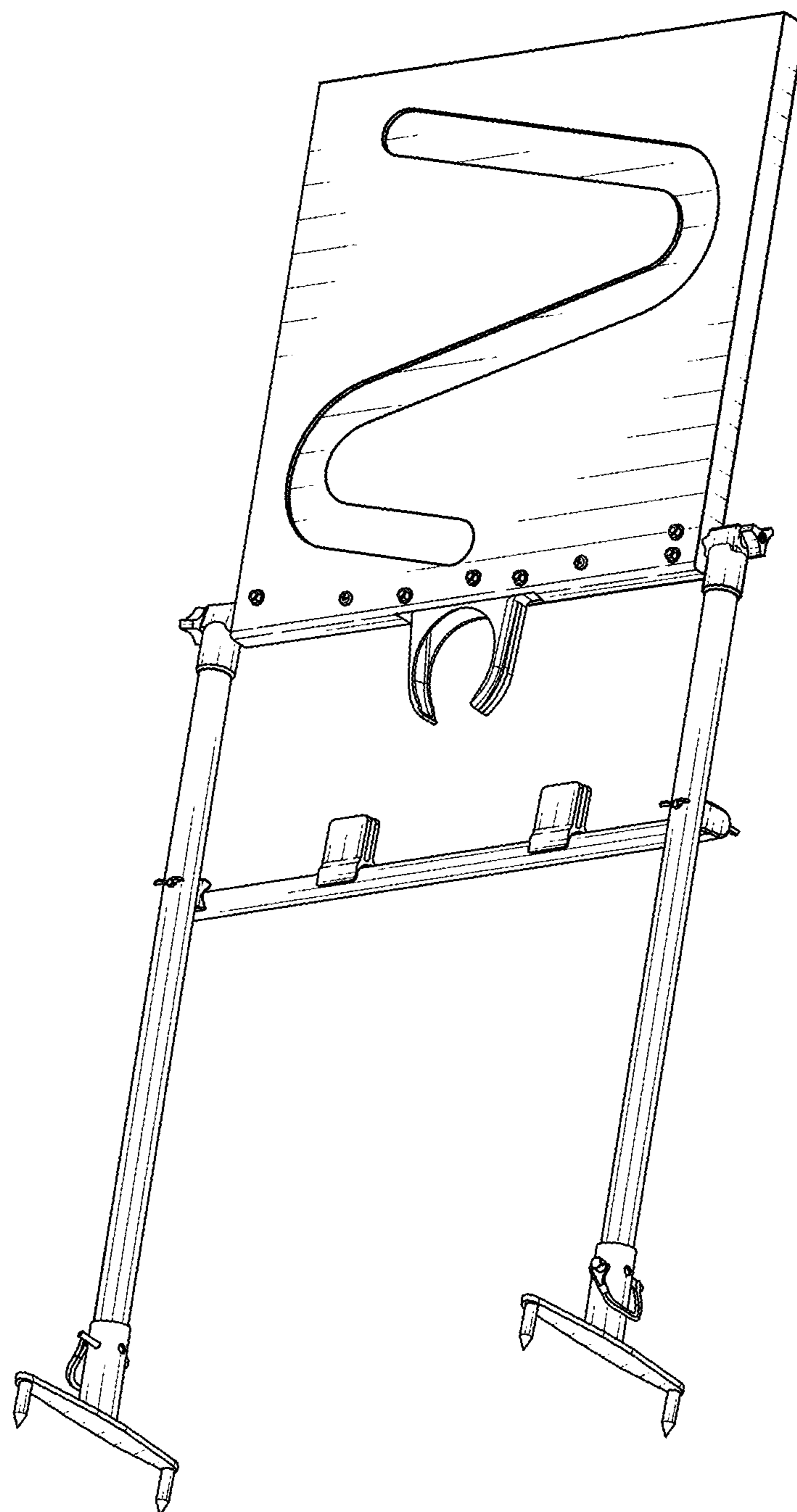


FIG. 3

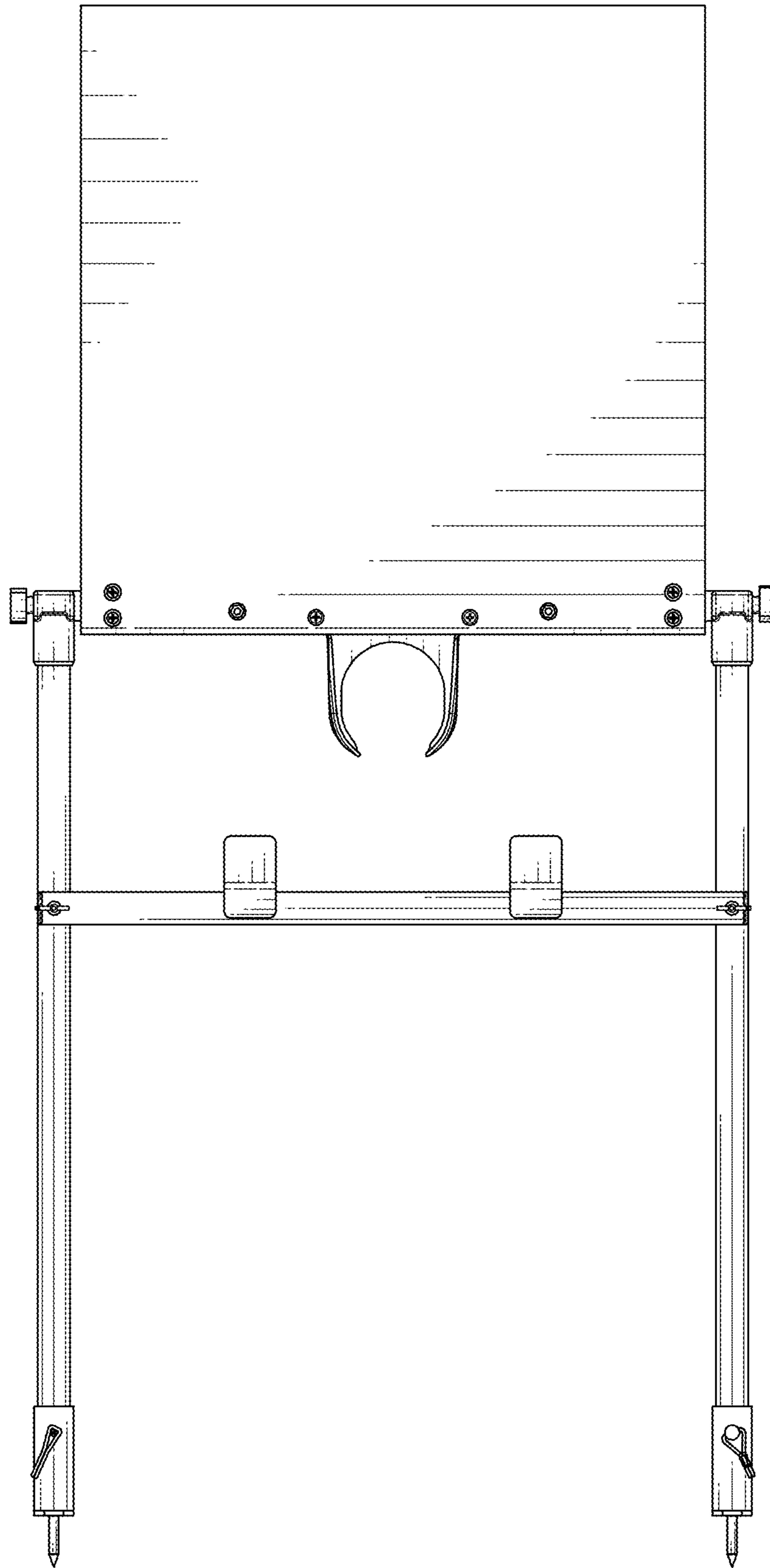


FIG. 4

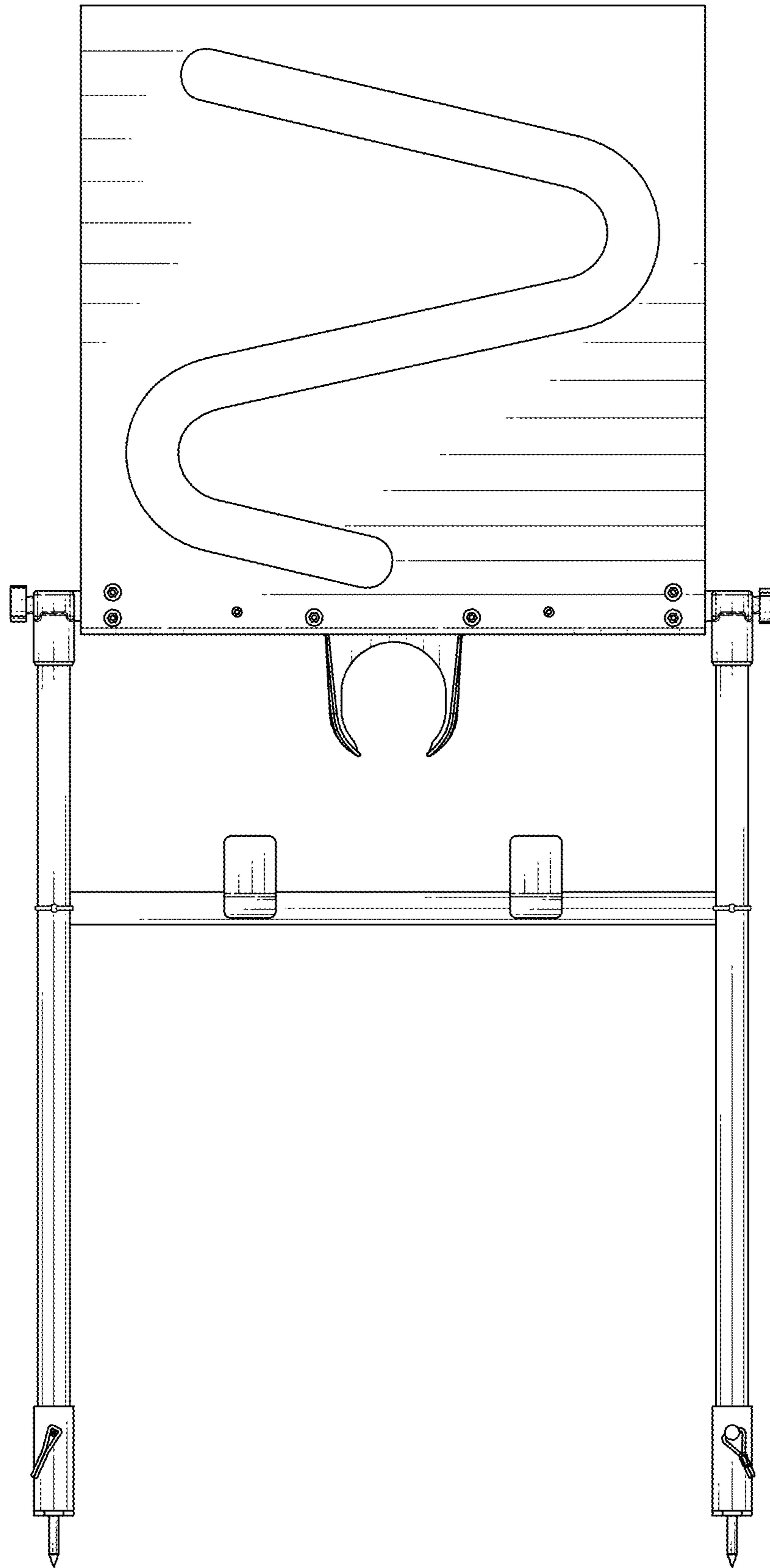


FIG. 5

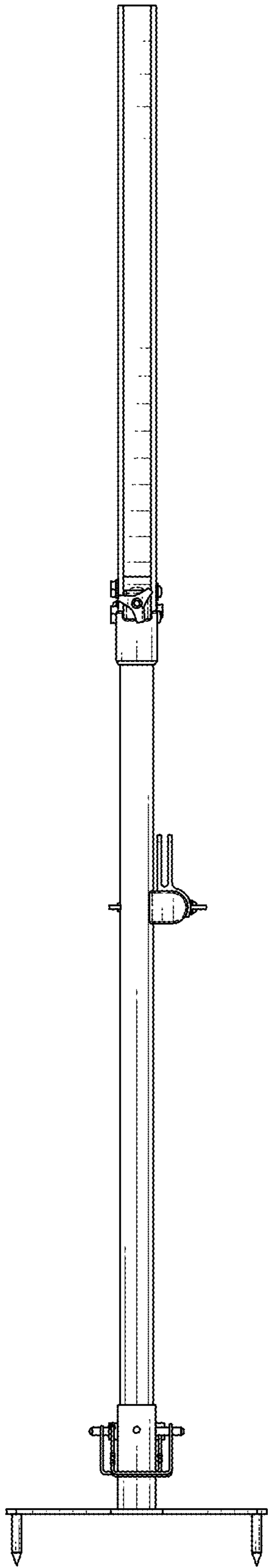


FIG. 6

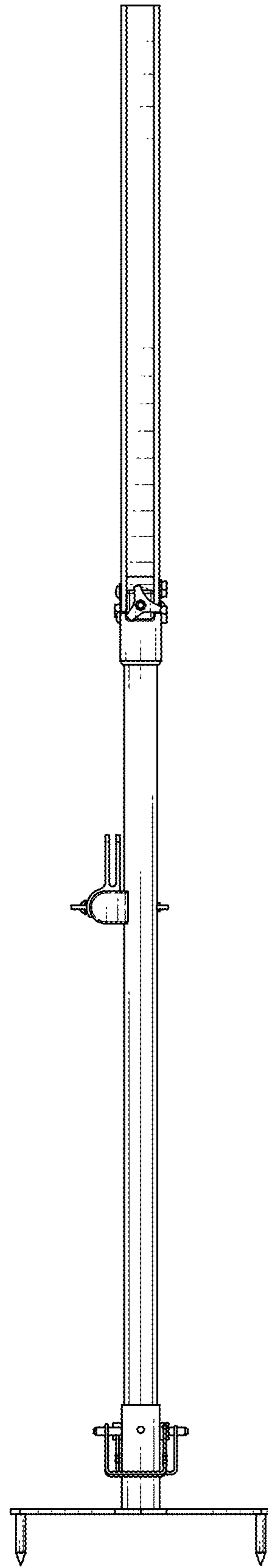


FIG. 7

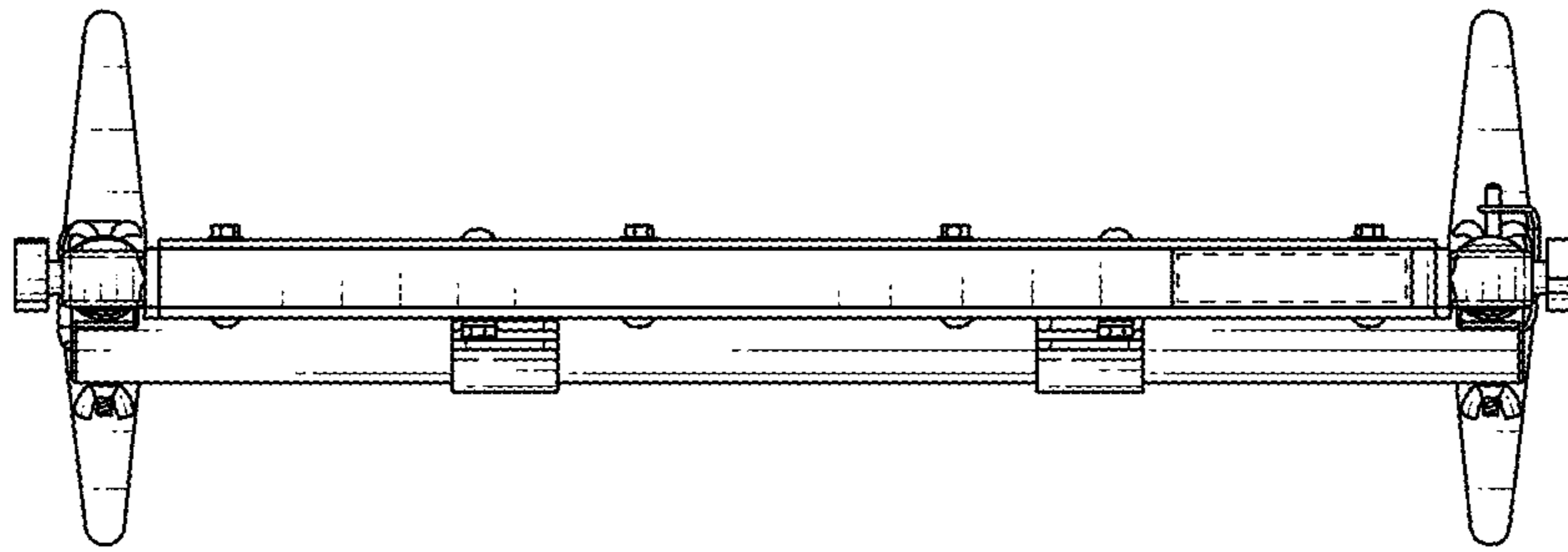


FIG. 8

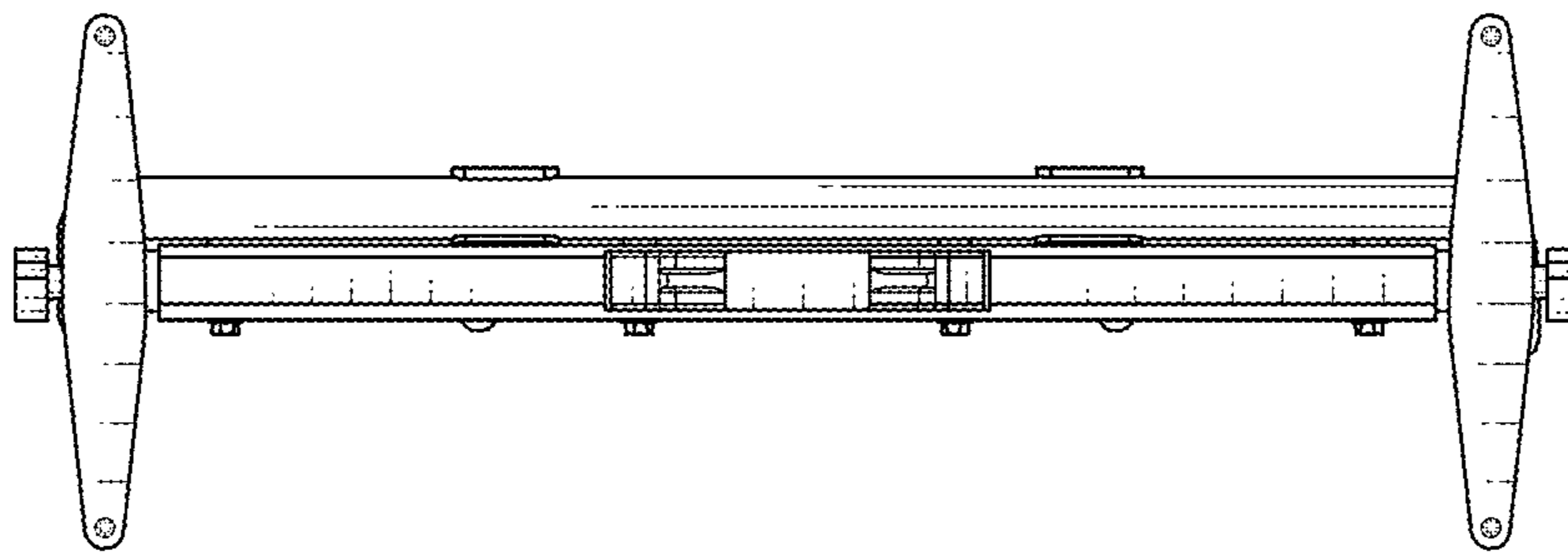


FIG. 9

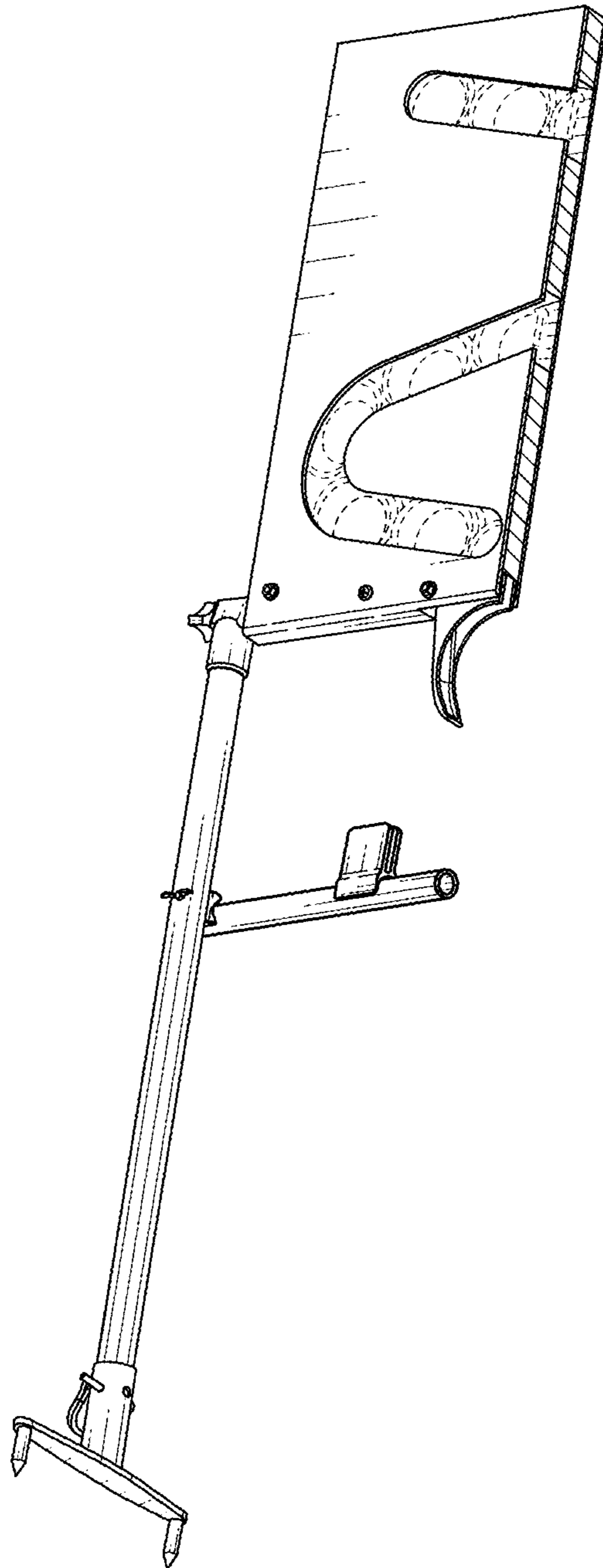


FIG. 10