



US00D910798S

(12) **United States Design Patent**
Pittman

(10) **Patent No.:** **US D910,798 S**

(45) **Date of Patent:** **** Feb. 16, 2021**

(54) **LIGHT MOUNT**

(71) Applicant: **Impact Weapons Components, LLC,**
Timnath, CO (US)

(72) Inventor: **Earl L. Pittman,** Fort Collins, CO (US)

(73) Assignee: **Impact Weapons Components, LLC,**
Timnath, CO (US)

(**) Term: **15 Years**

(21) Appl. No.: **29/730,371**

(22) Filed: **Apr. 3, 2020**

Related U.S. Application Data

(63) Continuation of application No. 29/668,884, filed on
Nov. 2, 2018, now Pat. No. Des. 885,509.

(51) **LOC (13) Cl.** **22-01**

(52) **U.S. Cl.**
USPC **D22/108**

(58) **Field of Classification Search**
USPC D22/100, 103, 104, 105, 108, 109, 110,
D22/111, 199; D21/567, 573, 574, 575
CPC F41C 23/04; F41C 23/08; F41C 23/16;
F41G 1/02; F41G 1/027; F41G 1/06;
F41A 17/46; F41A 19/11

See application file for complete search history.

(56) **References Cited**

U.S. PATENT DOCUMENTS

4,905,396	A	‡	3/1990	Bechtel	F41G 11/003
						42/124
D573,443	S	*	7/2008	Swan	D8/343
D586,875	S	‡	2/2009	Swan	D22/109
D600,311	S	*	9/2009	Swan	D22/109
D607,959	S	‡	1/2010	Moody	D22/109
D670,352	S	‡	11/2012	Norberg	D22/108
D708,694	S	*	7/2014	Wells	D22/108
D724,687	S	*	3/2015	Pittman	D22/108

D725,223	S	‡	3/2015	Heidkamp	D22/109
D733,246	S	‡	6/2015	Wells	D22/108
D733,249	S	*	6/2015	Cheng	D22/109
D753,783	S	*	4/2016	Pittman	D22/108
D754,274	S	‡	4/2016	Geissele	D22/108
D756,763	S	*	5/2016	Swan	D8/394
D758,518	S	‡	6/2016	Daniel	D22/108
9,625,233	B2	‡	4/2017	Daniel	F41C 23/16
D794,322	S	‡	8/2017	Wasankari	D3/211
D813,973	S	‡	3/2018	McKillips	D22/109

(Continued)

OTHER PUBLICATIONS

“Midwest Industries New MLOK Rail for Kriss Vector” [online].
Nicholas C. [Published on Nov. 21, 2016]. Retrieved from the
Internet: <https://www.thefirearmblog.com/blog/2016/11/21/
midwest-industries-new-mlok-rail-kriss-vector/>.

(Continued)

Primary Examiner — Khawaja Anwar

Assistant Examiner — Mojtaba Tehrani

(74) *Attorney, Agent, or Firm* — Cooley LLP

(57) **CLAIM**

The ornamental design for a light mount, as shown and
described.

DESCRIPTION

FIG. 1 is a perspective view of an embodiment of the light
mount;

FIG. 2 is another perspective view of the embodiment
thereof;

FIG. 3 is a front view of the embodiment thereof;

FIG. 4 is a back view of the embodiment thereof;

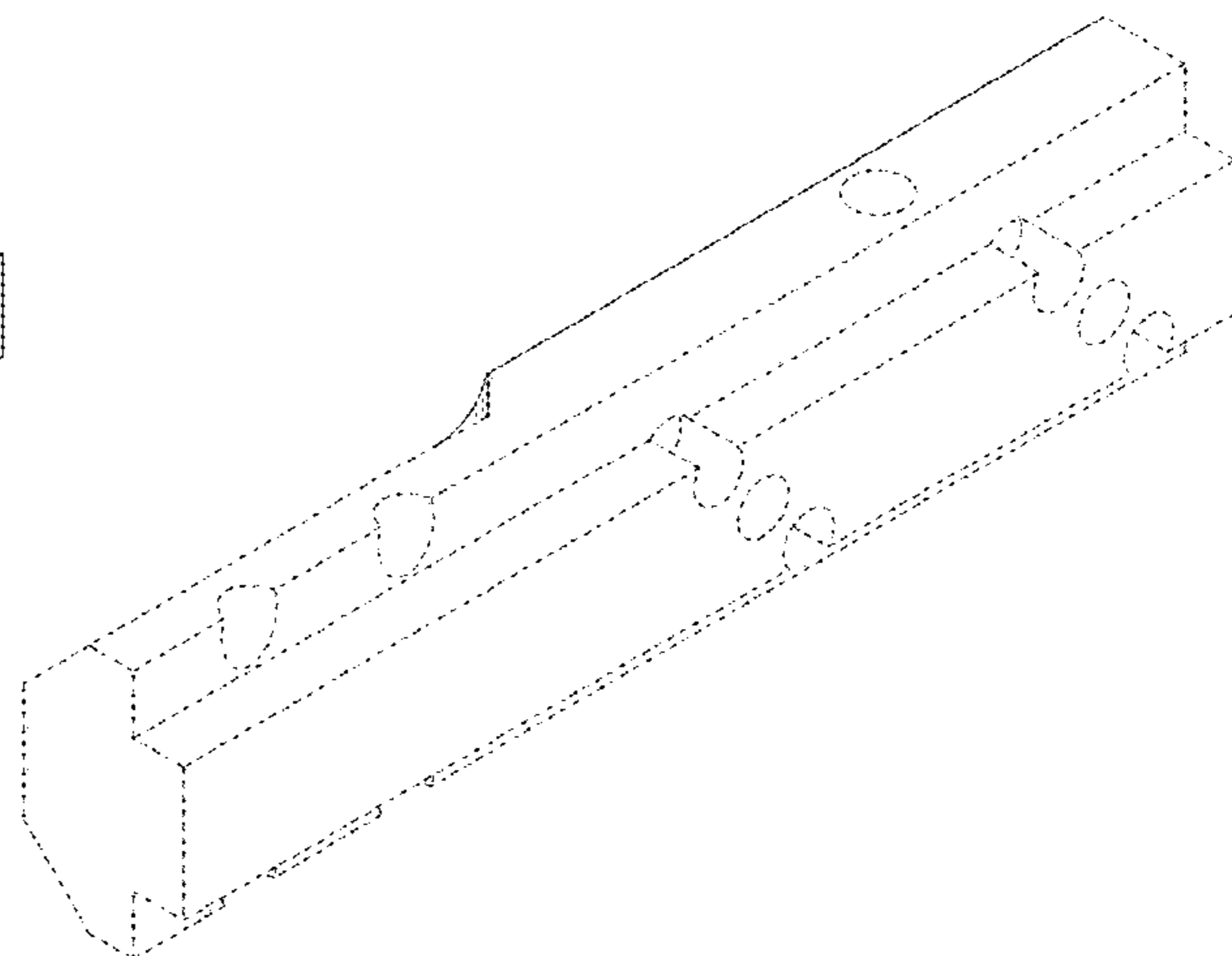
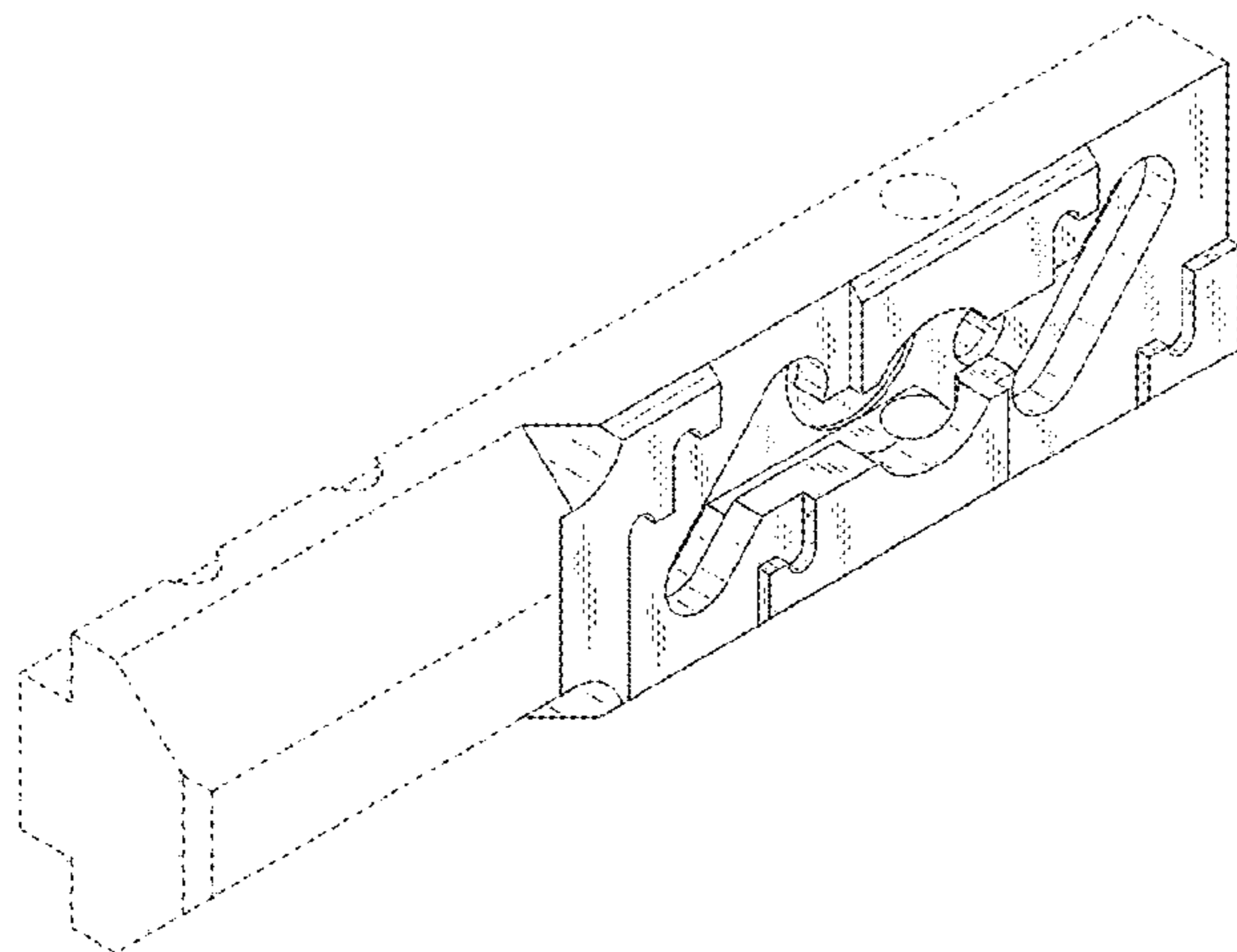
FIG. 5 is a top view of the embodiment thereof;

FIG. 6 is a bottom view of the embodiment thereof;

FIG. 7 is a left side view of the embodiment thereof; and,

FIG. 8 is a right side view of the embodiment thereof.

1 Claim, 8 Drawing Sheets



(56)

References Cited

U.S. PATENT DOCUMENTS

9,964,380 B1 * 5/2018 Oglesby F41C 27/00
D825,745 S 8/2018 Barchen
D827,759 S ‡ 9/2018 Jen D22/108
D828,898 S ‡ 9/2018 McKillips D22/108
D835,745 S ‡ 12/2018 Storch D22/108
10,473,432 B2 * 11/2019 Jen F41G 11/003
10,551,145 B2 * 2/2020 Kincel F41C 27/00
D878,509 S * 3/2020 Storch D22/108
D885,509 S * 5/2020 Pittman D22/108
2015/0219422 A1 ‡ 8/2015 Kincel F41G 11/003
242/525.11

OTHER PUBLICATIONS

Midwest Industries New MLOK Rail for Kriss Vector, published
Nov. 21, 2016, retrieved from <https://www.thefirearmblog.com/blog/2016/11/21/midwest-industries-new-mlok-rail-kriss-vector>, 2 pages.

* cited by examiner

‡ imported from a related application

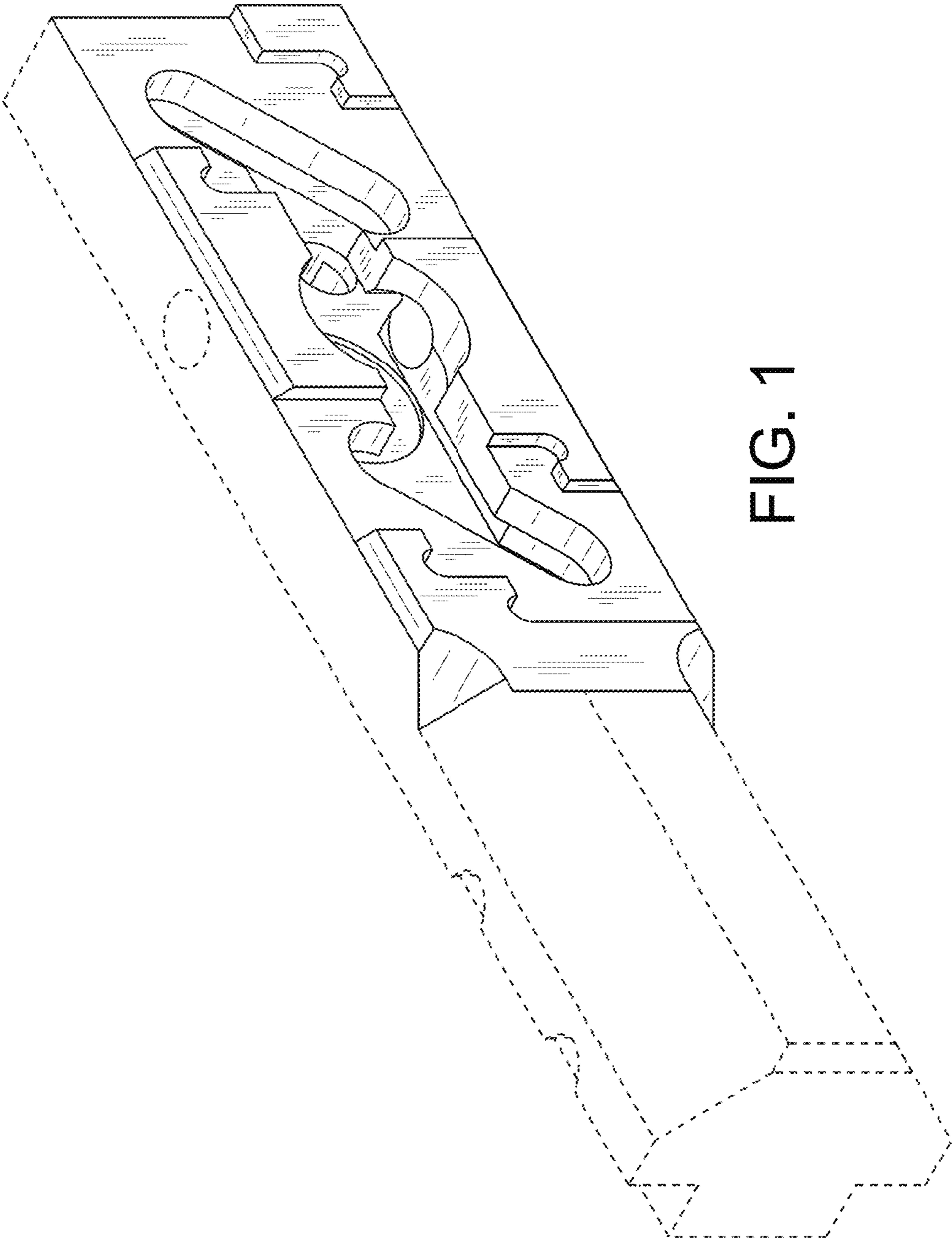


FIG. 1

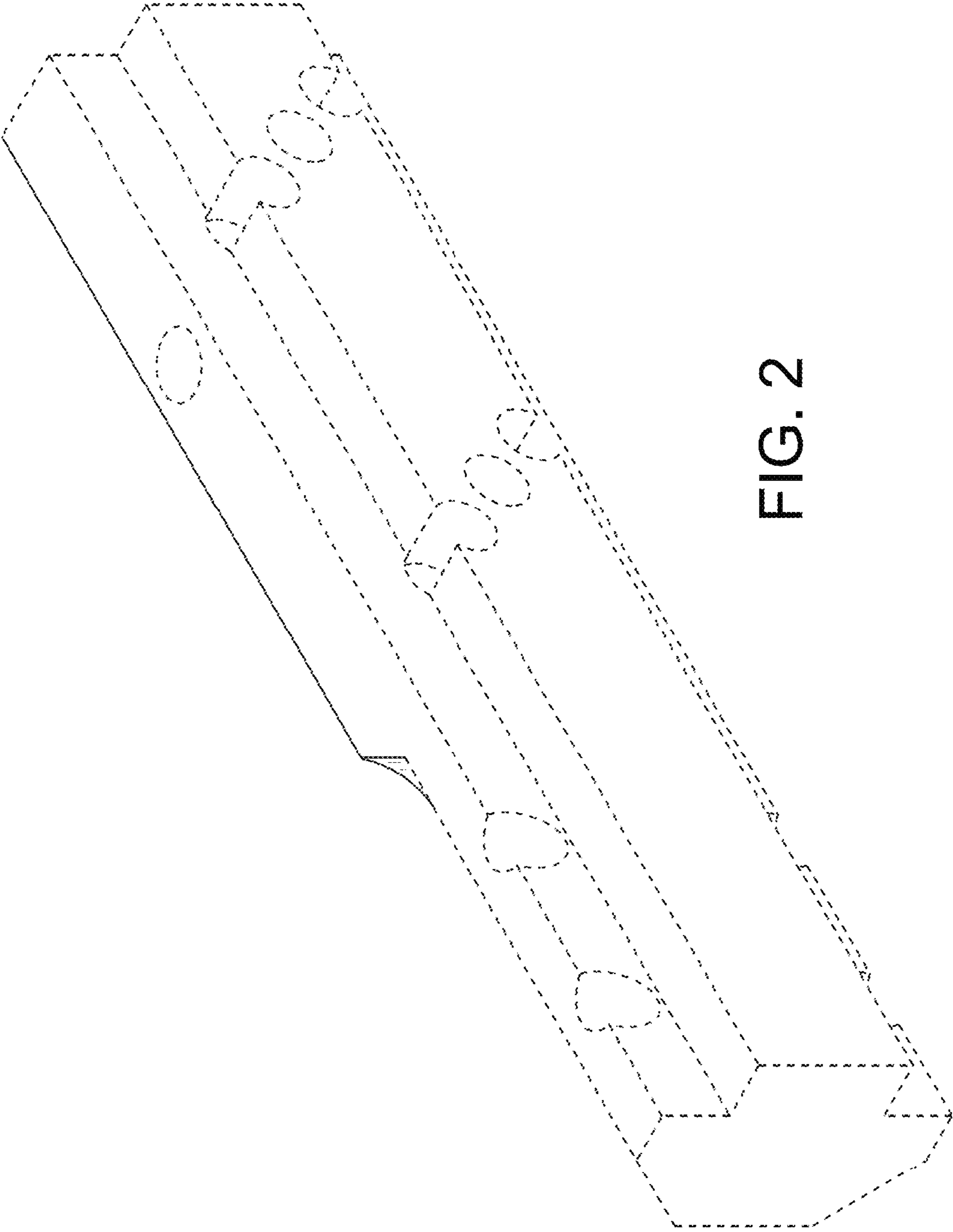


FIG. 2

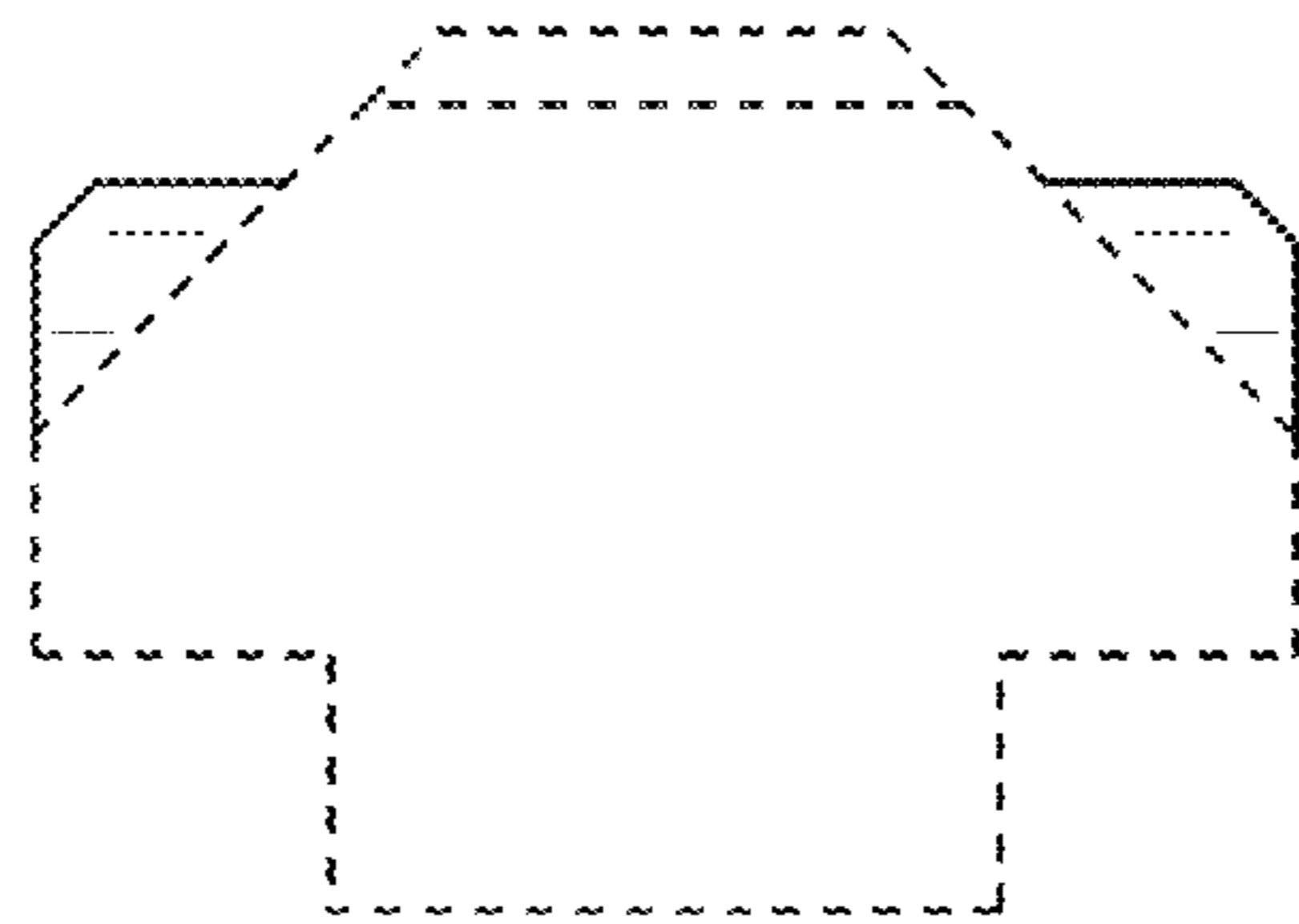


FIG. 3

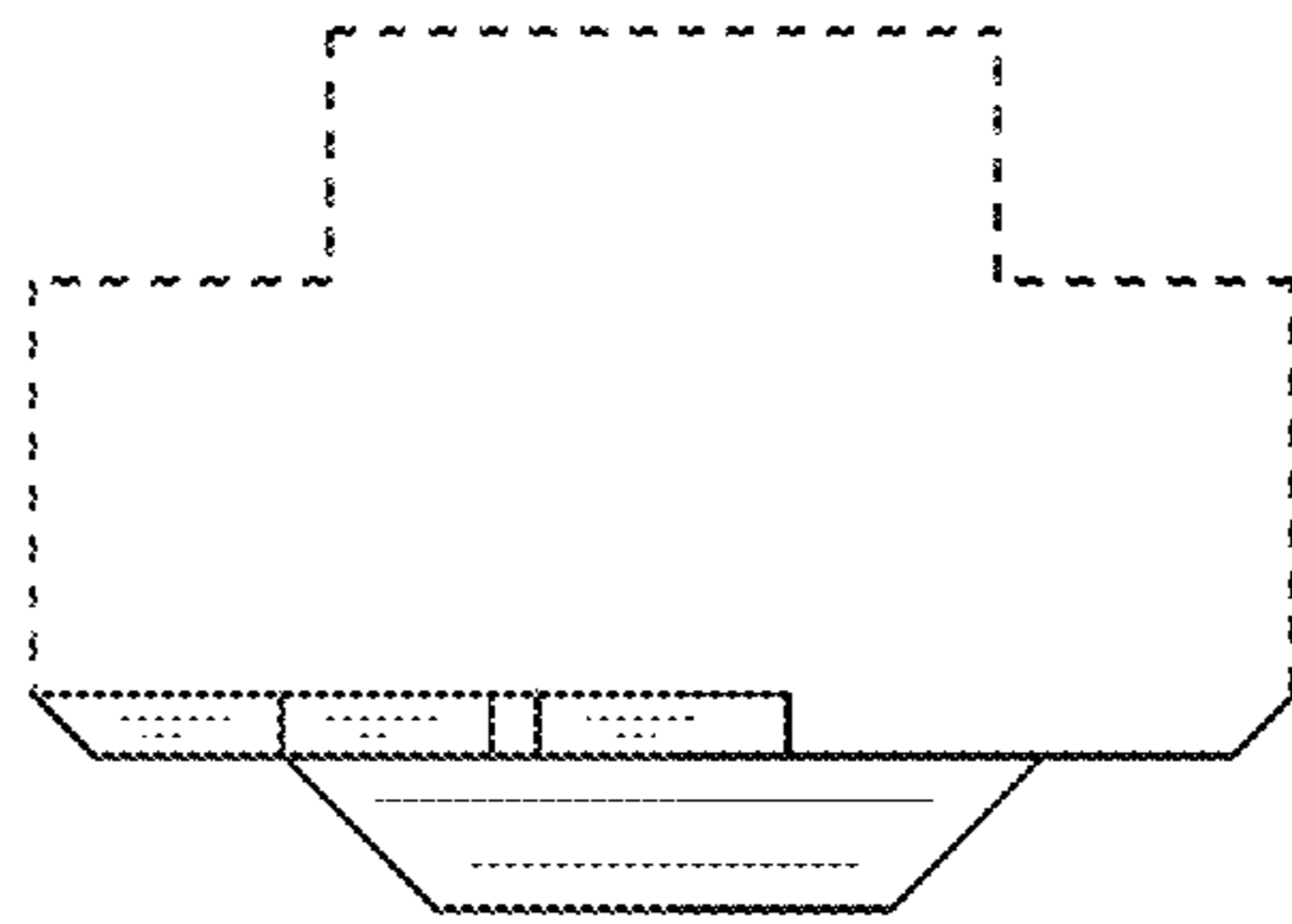


FIG. 4

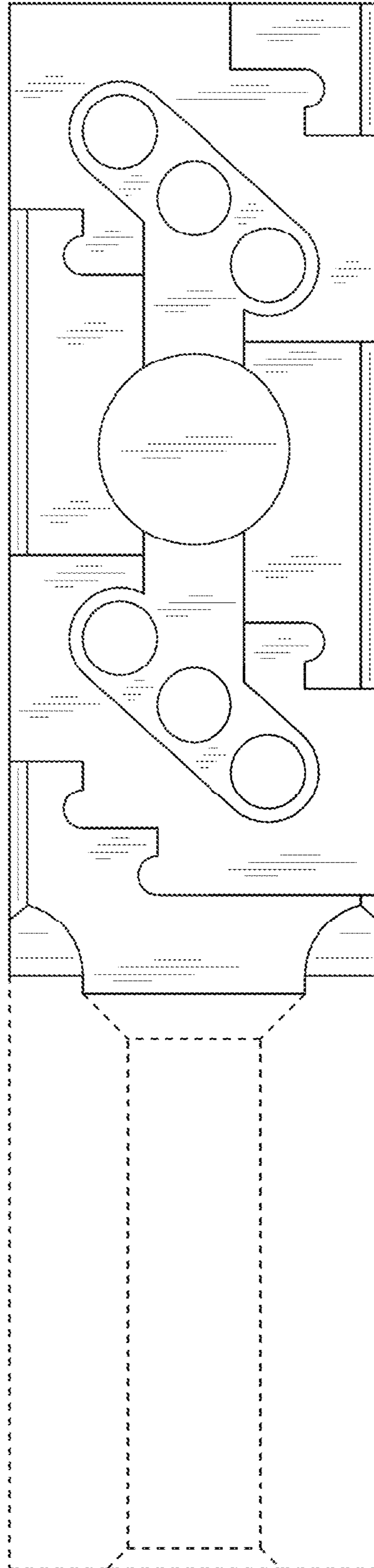


FIG. 5

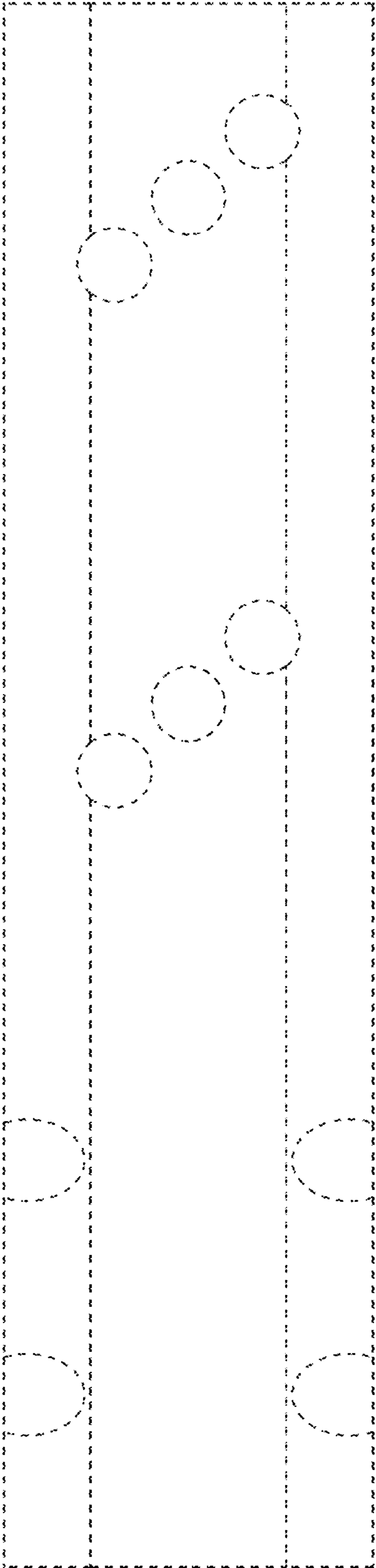


FIG. 6

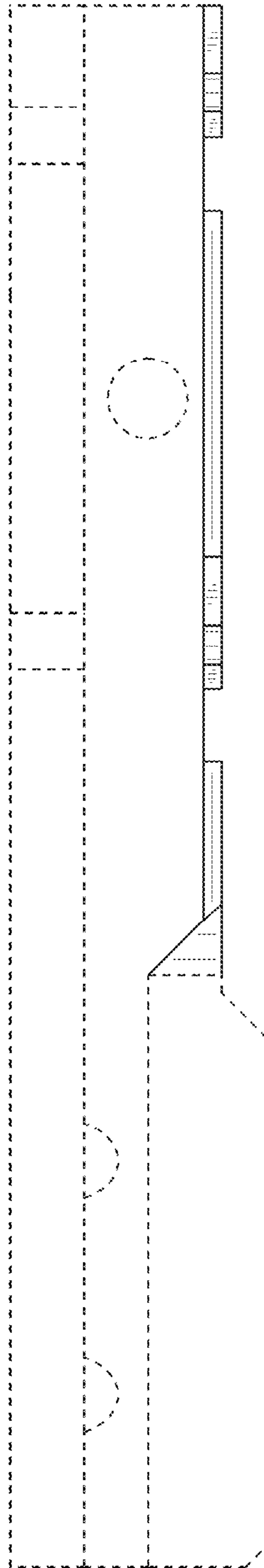


FIG. 7

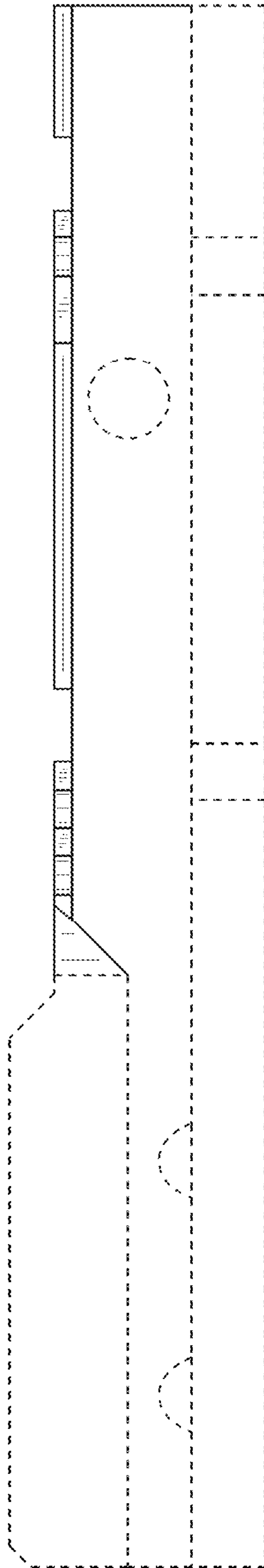


FIG. 8