



US00D910797S

(12) **United States Design Patent**  
**Walthert**

(10) **Patent No.:** **US D910,797 S**

(45) **Date of Patent:** **\*\* Feb. 16, 2021**

(54) **FORESTOCK**

(71) Applicant: **Crosman Corporation**, Bloomfield,  
NY (US)

(72) Inventor: **Hans J. Walthert**, Rush, NY (US)

(73) Assignee: **Crosman Corporation**, Bloomfield,  
NY (US)

(\*\*) Term: **15 Years**

(21) Appl. No.: **29/653,737**

(22) Filed: **Jun. 18, 2018**

(51) **LOC (13) Cl.** ..... **22-01**

(52) **U.S. Cl.**  
USPC ..... **D22/108; D22/103**

(58) **Field of Classification Search**  
USPC ..... D22/100, 101, 103, 104, 105, 107, 108,  
D22/109, 110, 111, 199; D21/567, 569,  
D21/570, 571, 573, 574, 575  
CPC ..... F41G 1/30; F41G 3/26; F42B 5/28; F41C  
23/16; F41A 23/16; F41A 23/18; F41A  
9/83; F41A 33/00  
See application file for complete search history.

(56) **References Cited**

**U.S. PATENT DOCUMENTS**

D590,907 S \* 4/2009 Barnett ..... D22/107  
D681,149 S \* 4/2013 Lee ..... D22/107  
D681,150 S \* 4/2013 Lee ..... D22/107  
D687,507 S \* 8/2013 Vaicunas ..... D22/107  
D716,398 S \* 10/2014 Barnett ..... D22/107  
D740,908 S \* 10/2015 Tresserras Torre ..... D22/108  
9,255,755 B1 \* 2/2016 Barnett ..... F41B 5/12

D775,298 S \* 12/2016 Barnett ..... D22/107  
D780,277 S \* 2/2017 Barnett ..... D22/107  
10,408,564 B2 \* 9/2019 Malheiros ..... F41B 11/83

\* cited by examiner

*Primary Examiner* — Khawaja Anwar

*Assistant Examiner* — Mojtaba Tehrani

(74) *Attorney, Agent, or Firm* — Lee & Hayes, P.C.

(57) **CLAIM**

The ornamental design for a forestock, as shown and described.

**DESCRIPTION**

FIG. 1 is a back, top, left side perspective view of a forestock, showing my new design with support legs in a first position.

FIG. 2 is a front elevation view thereof.

FIG. 3 is a back elevation view thereof.

FIG. 4 is a right elevation view thereof.

FIG. 5 is a left elevation view thereof.

FIG. 6 is a top view of the embodiment thereof.

FIG. 7 is a bottom view thereof.

FIG. 8 is a back, top, left side perspective view of a forestock, showing my new design with support legs in a second position.

FIG. 9 is a front elevation view thereof.

FIG. 10 is a back elevation view thereof.

FIG. 11 is a right elevation view thereof.

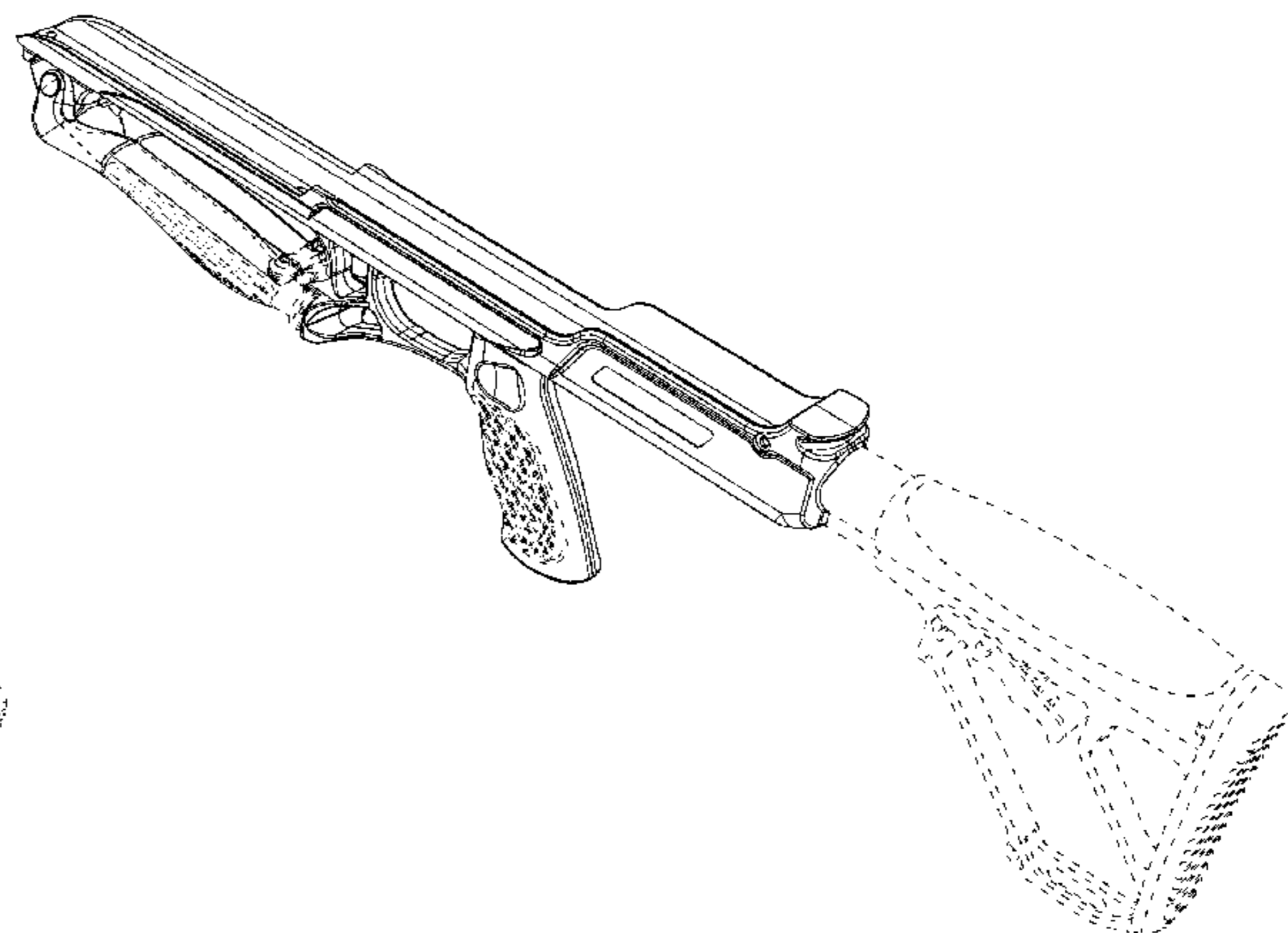
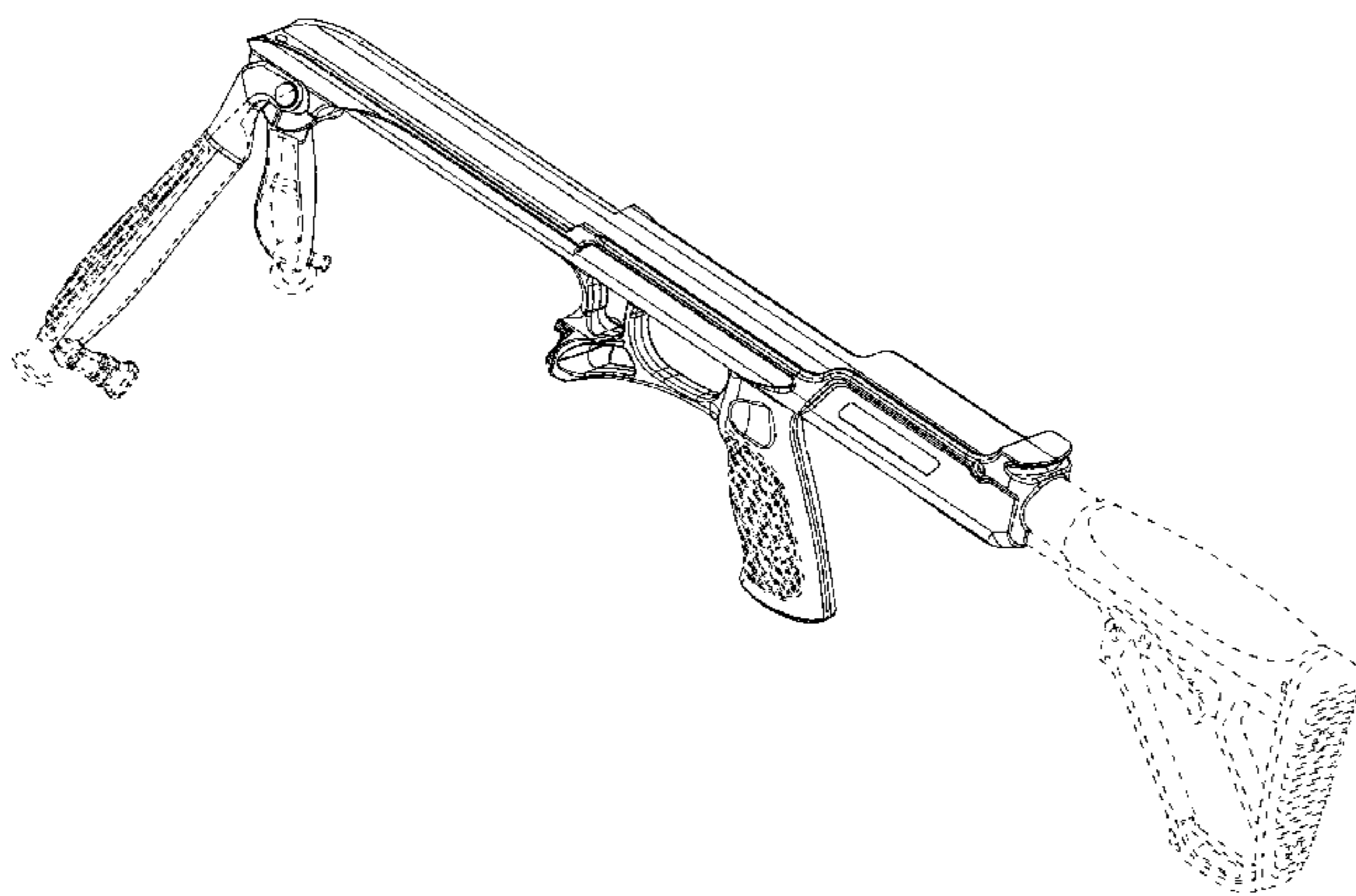
FIG. 12 is a left elevation view thereof.

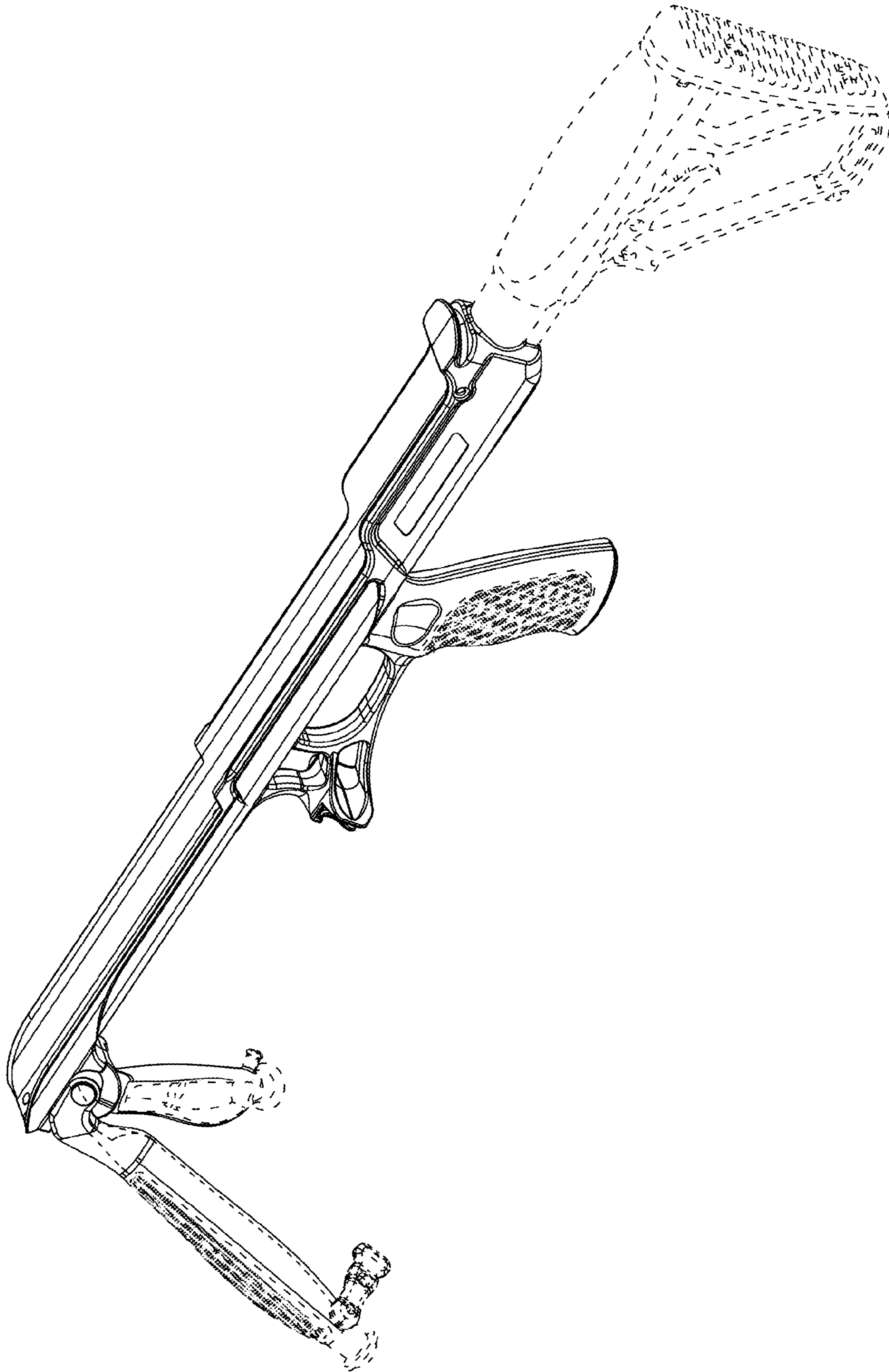
FIG. 13 is a top view thereof; and,

FIG. 14 is a bottom view thereof.

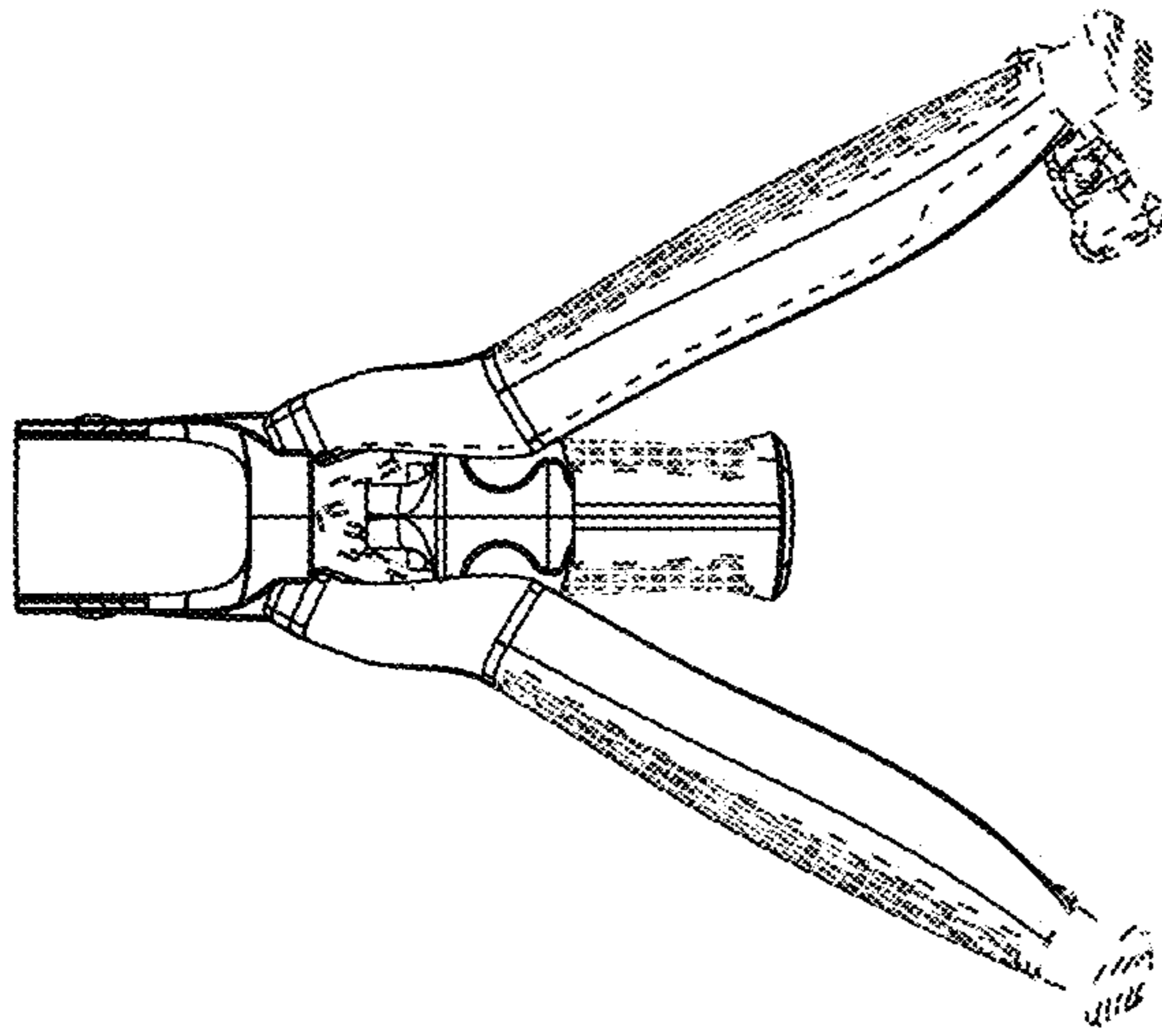
The dashed lines in the figures do not form any part of the design sought to be patented.

**1 Claim, 14 Drawing Sheets**

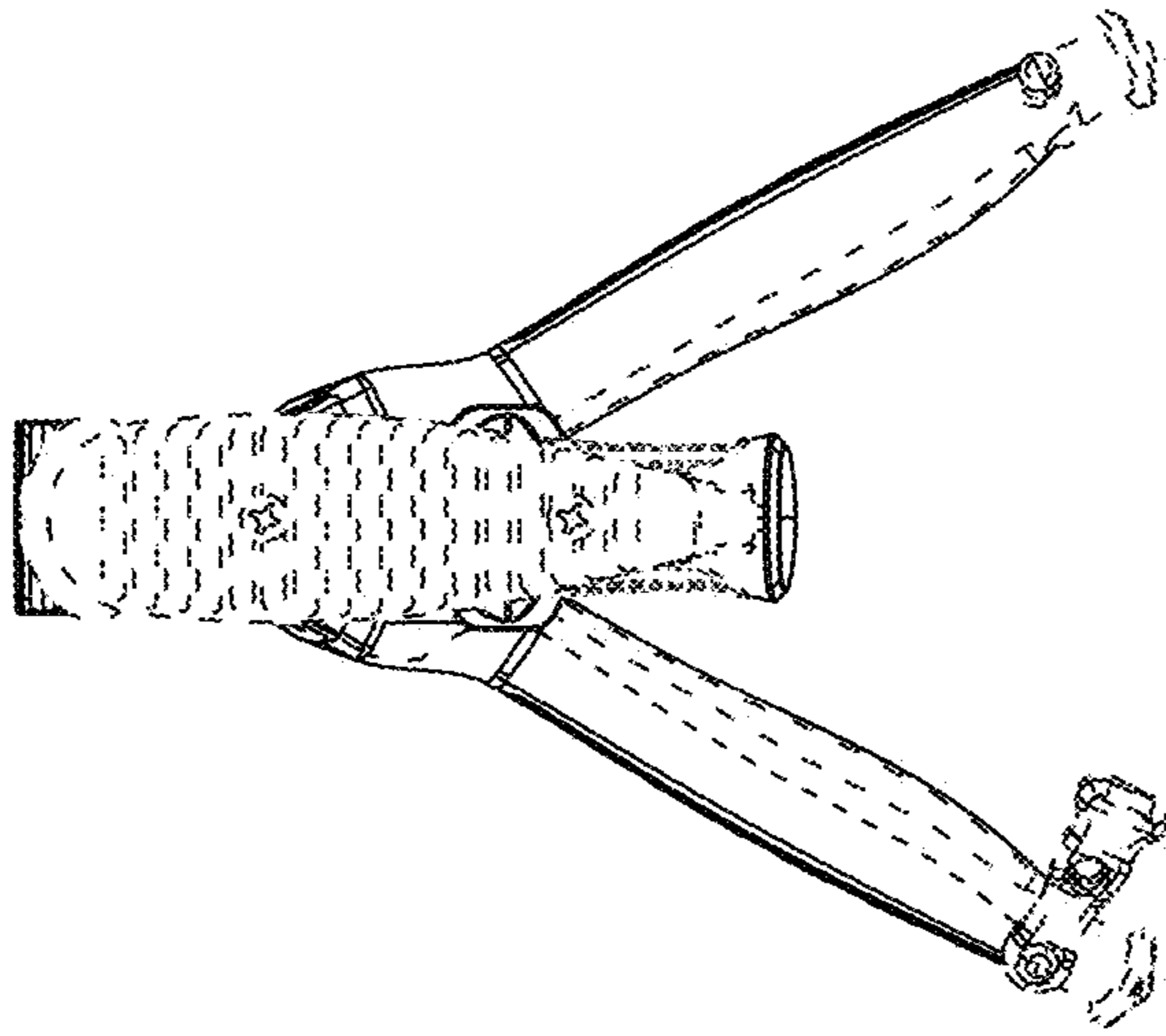




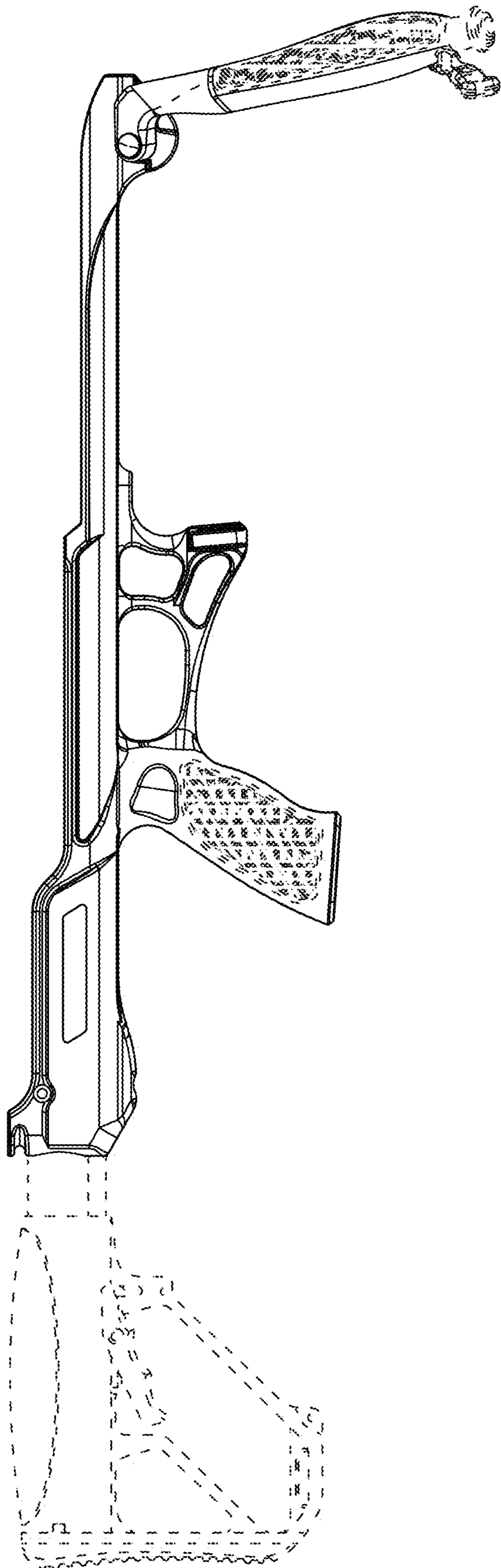
**FIG. 1**



**FIG. 2**



**FIG. 3**



**FIG. 4**

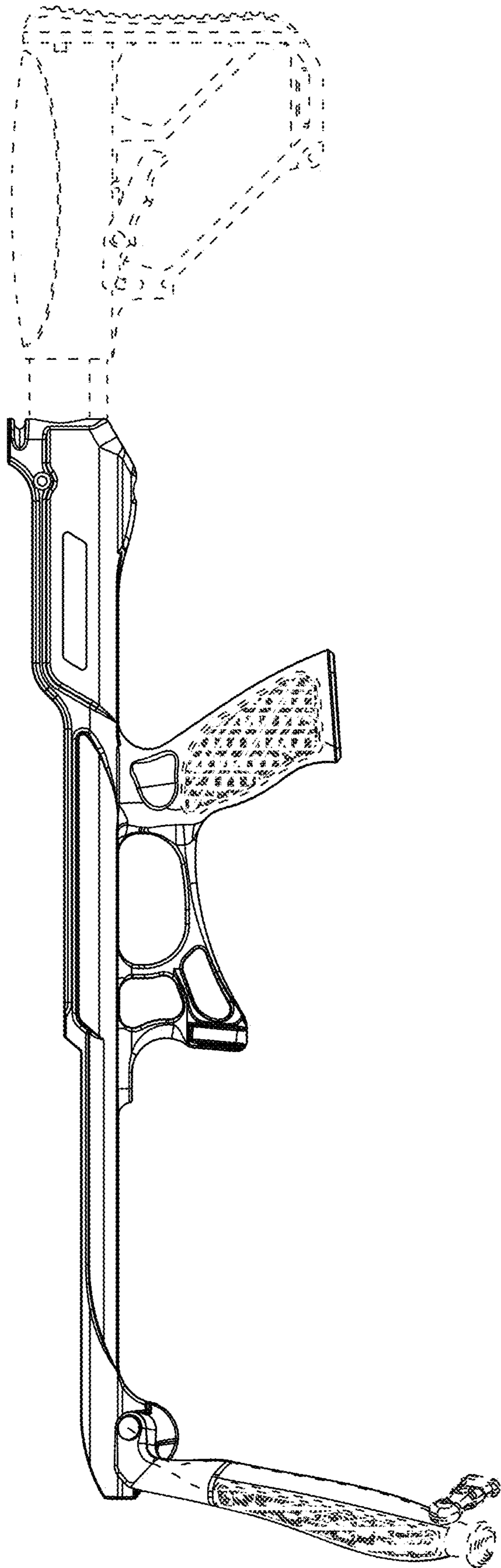
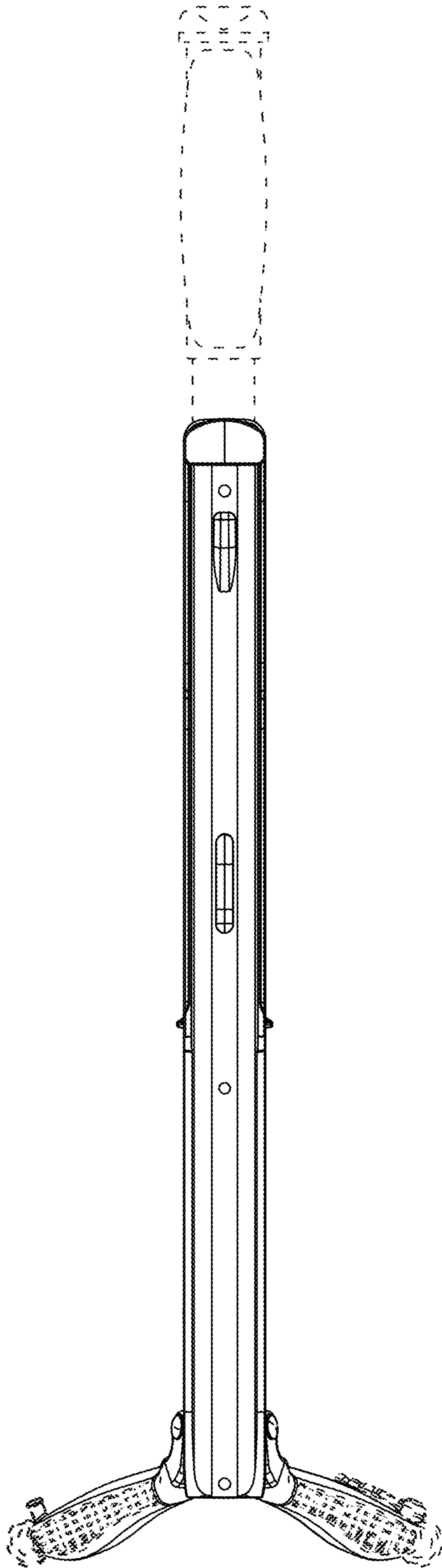
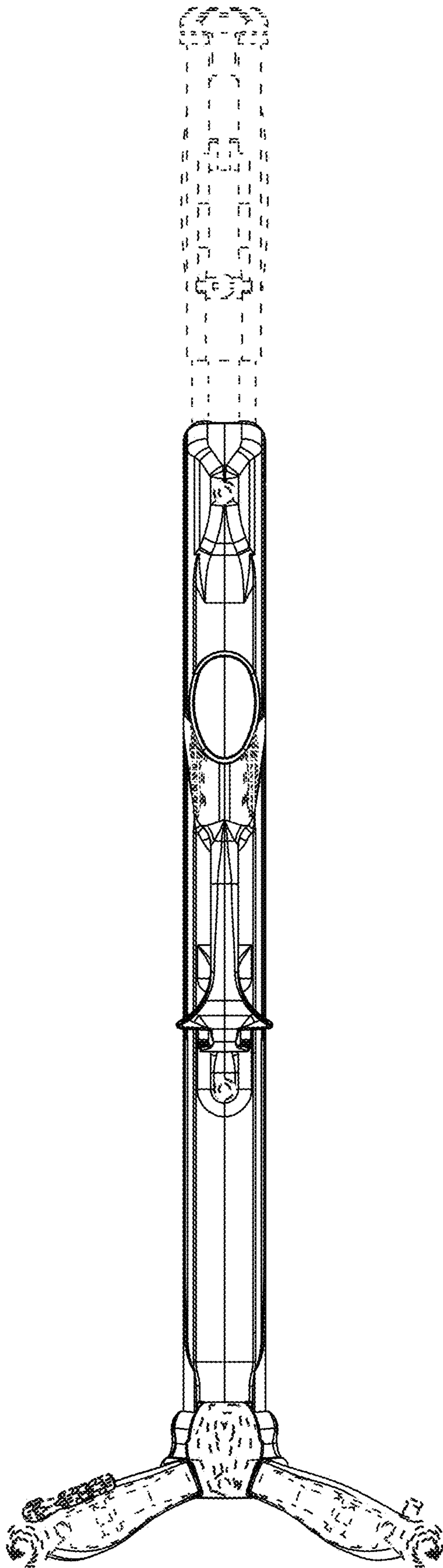


FIG. 5



**FIG. 6**



**FIG. 7**



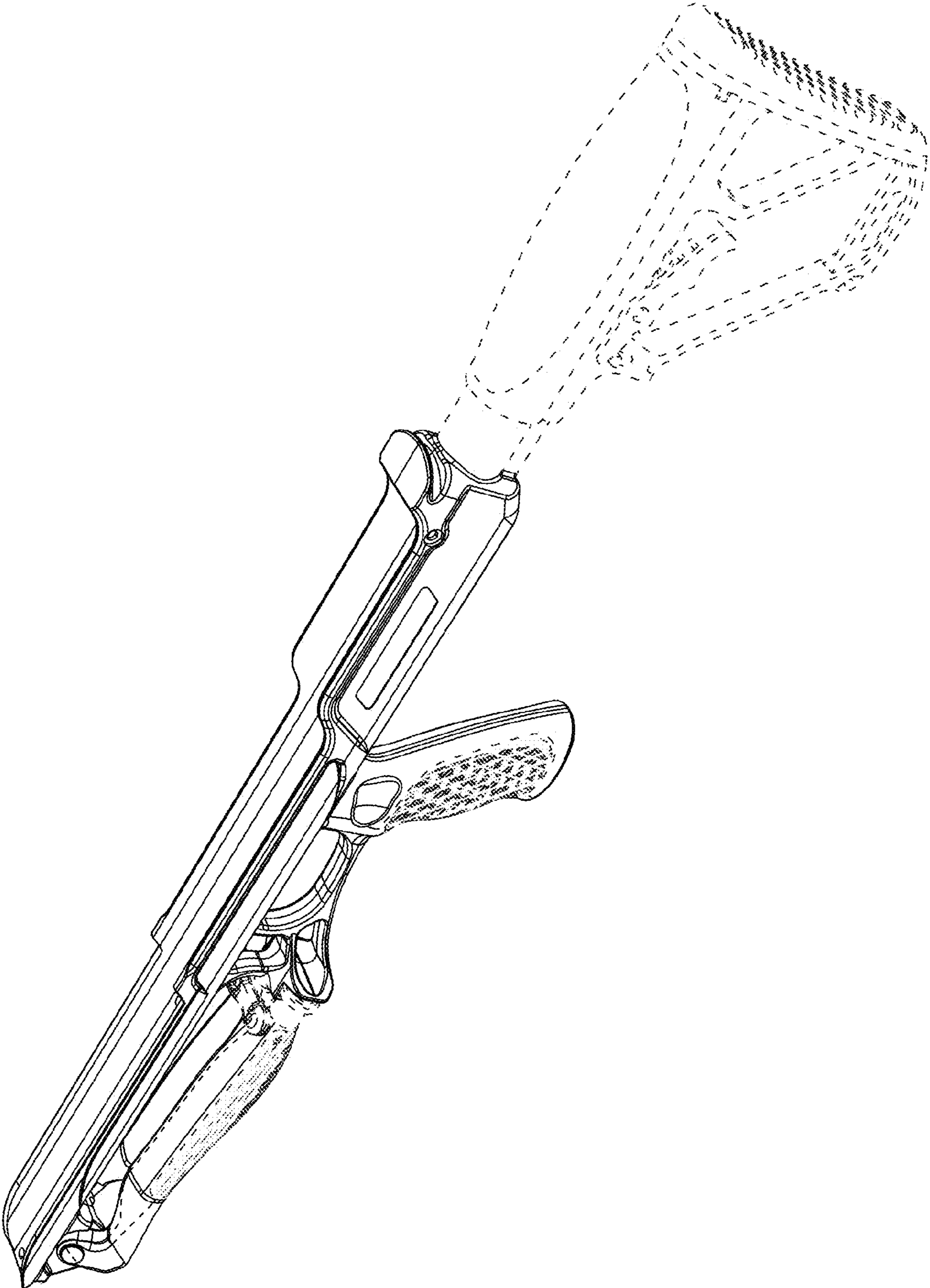
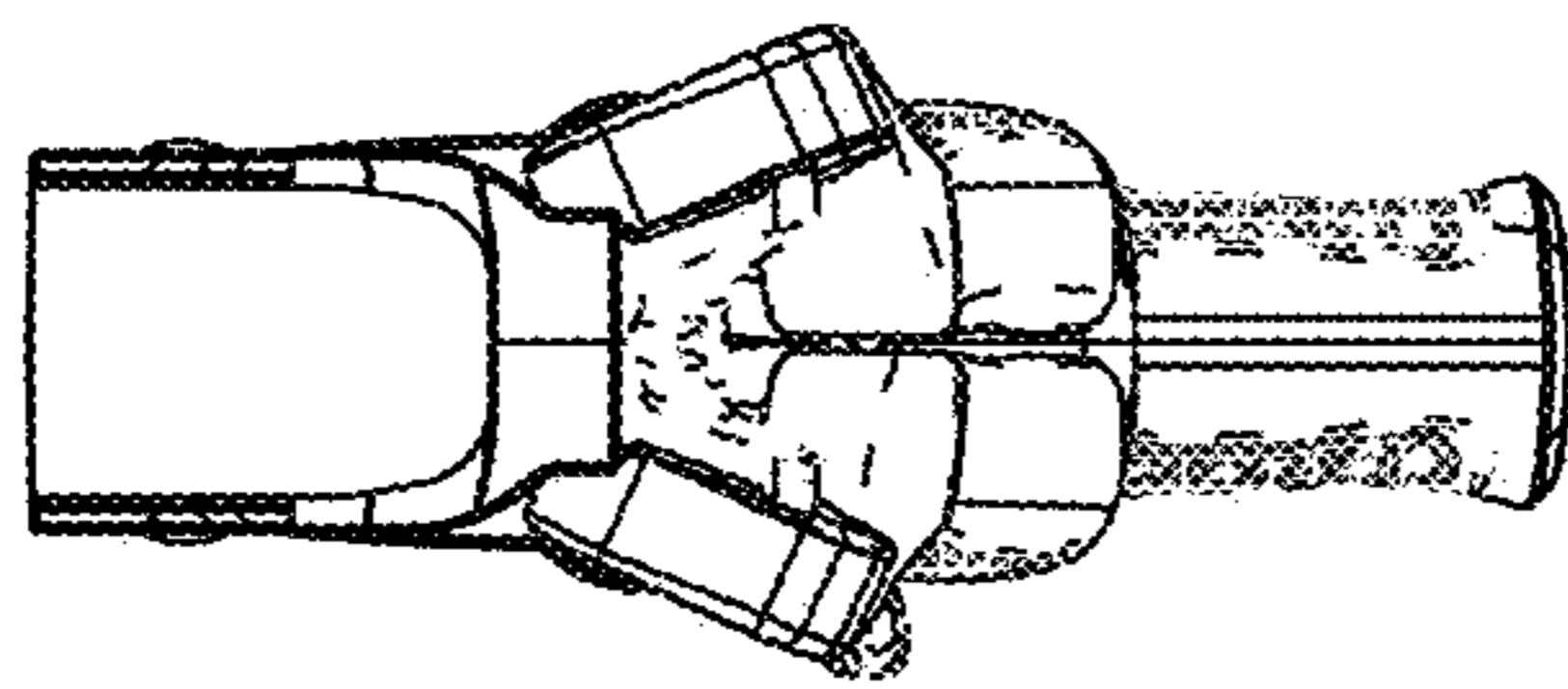
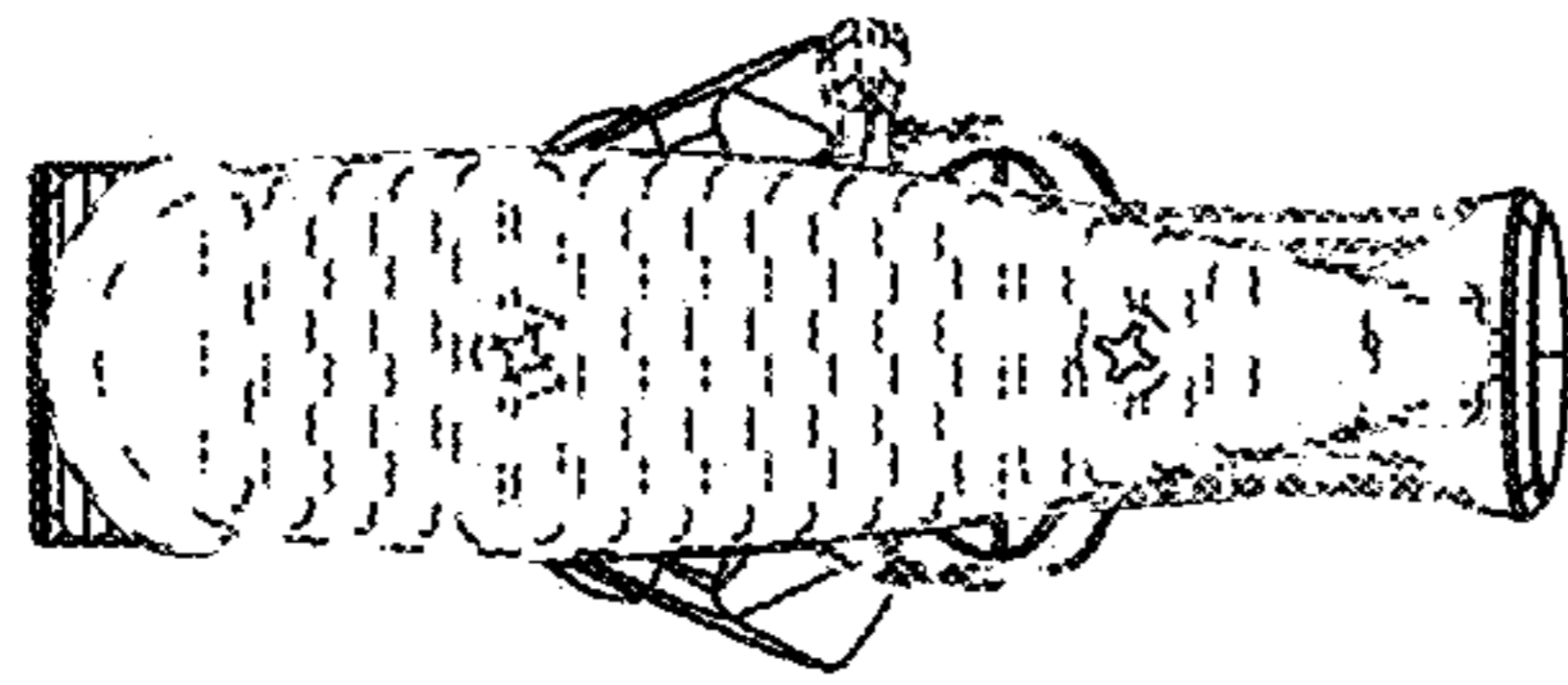


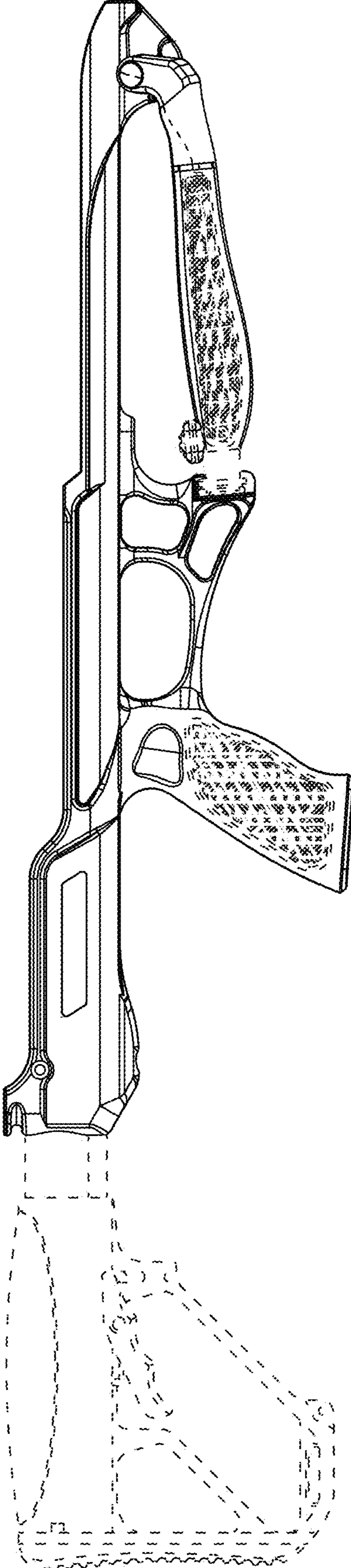
FIG. 8



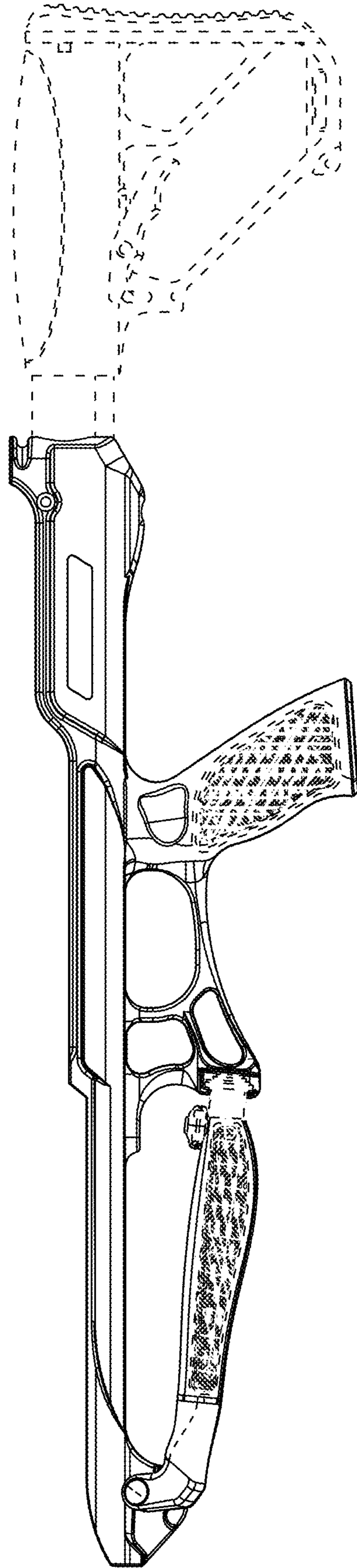
**FIG. 9**



**FIG. 10**



**FIG. 11**



**FIG. 12**

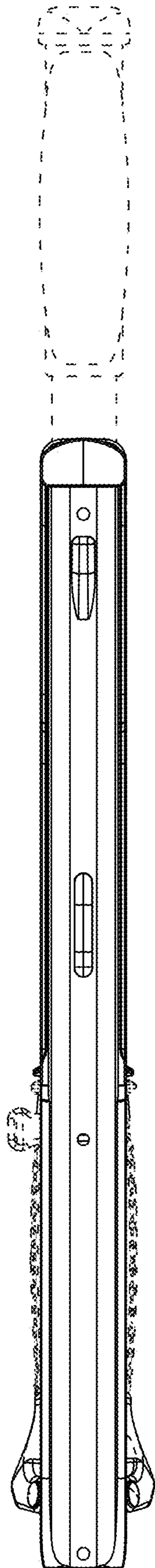


FIG. 13

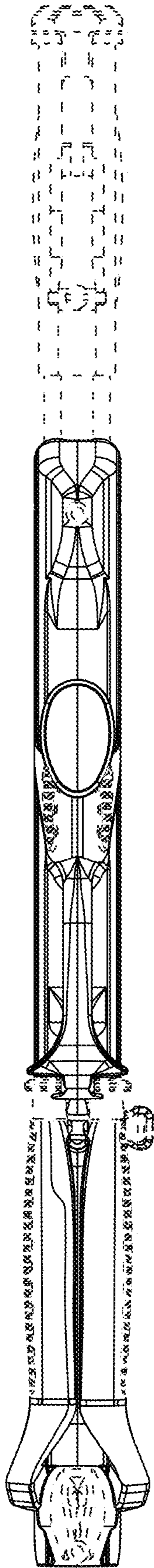


FIG. 14