



US00D910796S

(12) **United States Design Patent** (10) **Patent No.:** **US D910,796 S**  
**Jen** (45) **Date of Patent:** **\*\* Feb. 16, 2021**

(54) **HANDGUN SLIDE**

(71) Applicant: **Yi Huei Jen**, Irvine, CA (US)

(72) Inventor: **Yi Huei Jen**, Irvine, CA (US)

(\*\*) Term: **15 Years**

(21) Appl. No.: **29/631,140**

(22) Filed: **Dec. 27, 2017**

(51) **LOC (13) Cl.** ..... **22-01**

(52) **U.S. Cl.**  
USPC ..... **D22/108**

(58) **Field of Classification Search**  
USPC ..... D22/103, 108, 109, 199; D8/68;  
D21/573, 574  
CPC ..... F41C 23/10; F41C 23/14; F41C 23/16;  
F41C 23/18  
See application file for complete search history.

(56) **References Cited**

**U.S. PATENT DOCUMENTS**

|                |         |             |       |                        |
|----------------|---------|-------------|-------|------------------------|
| D346,196 S *   | 4/1994  | Ruger       | ..... | D22/108                |
| D430,916 S *   | 9/2000  | Bubits      | ..... | D22/100                |
| D593,623 S *   | 6/2009  | Halmone     | ..... | D21/574                |
| D627,028 S *   | 11/2010 | Coulombier  | ..... | D22/104                |
| D671,610 S *   | 11/2012 | Nebeker     | ..... | D22/104                |
| D688,764 S *   | 8/2013  | Yigit       | ..... | D22/104                |
| D690,374 S *   | 9/2013  | Lee         | ..... | D21/574                |
| 8,528,243 B1 * | 9/2013  | Glock       | ..... | F41A 3/66<br>42/75.02  |
| 8,584,390 B1 * | 11/2013 | Fraher      | ..... | F41C 23/10<br>42/71.02 |
| D729,895 S *   | 5/2015  | Porat       | ..... | D22/108                |
| D732,629 S *   | 6/2015  | Wolf        | ..... | D22/108                |
| D742,985 S *   | 11/2015 | Hudson, III | ..... | D22/104                |
| D744,049 S *   | 11/2015 | Chu         | ..... | D21/574                |
| D755,907 S *   | 5/2016  | Hu          | ..... | D21/574                |
| D758,519 S *   | 6/2016  | Toner       | ..... | D22/108                |
| D777,871 S *   | 1/2017  | Niswander   | ..... | D22/108                |
| D800,243 S *   | 10/2017 | Niswander   | ..... | D22/108                |

(Continued)

**OTHER PUBLICATIONS**

YouTube.com—Musty Yeti, Strike Industries Glock Slide Mods Triggcon 2018, Publication date Jul. 28, 2018, [site visited Oct. 1, 2019, Available on the Internet URL <https://www.youtube.com/watch?v=tcKwOc6bhhE> (Year: 2018).\*

(Continued)

*Primary Examiner* — Karen S Acker

*Assistant Examiner* — Steven B Reinholdt, Jr.

(74) *Attorney, Agent, or Firm* — Kafantaris Law Offices; Theo Kafantaris

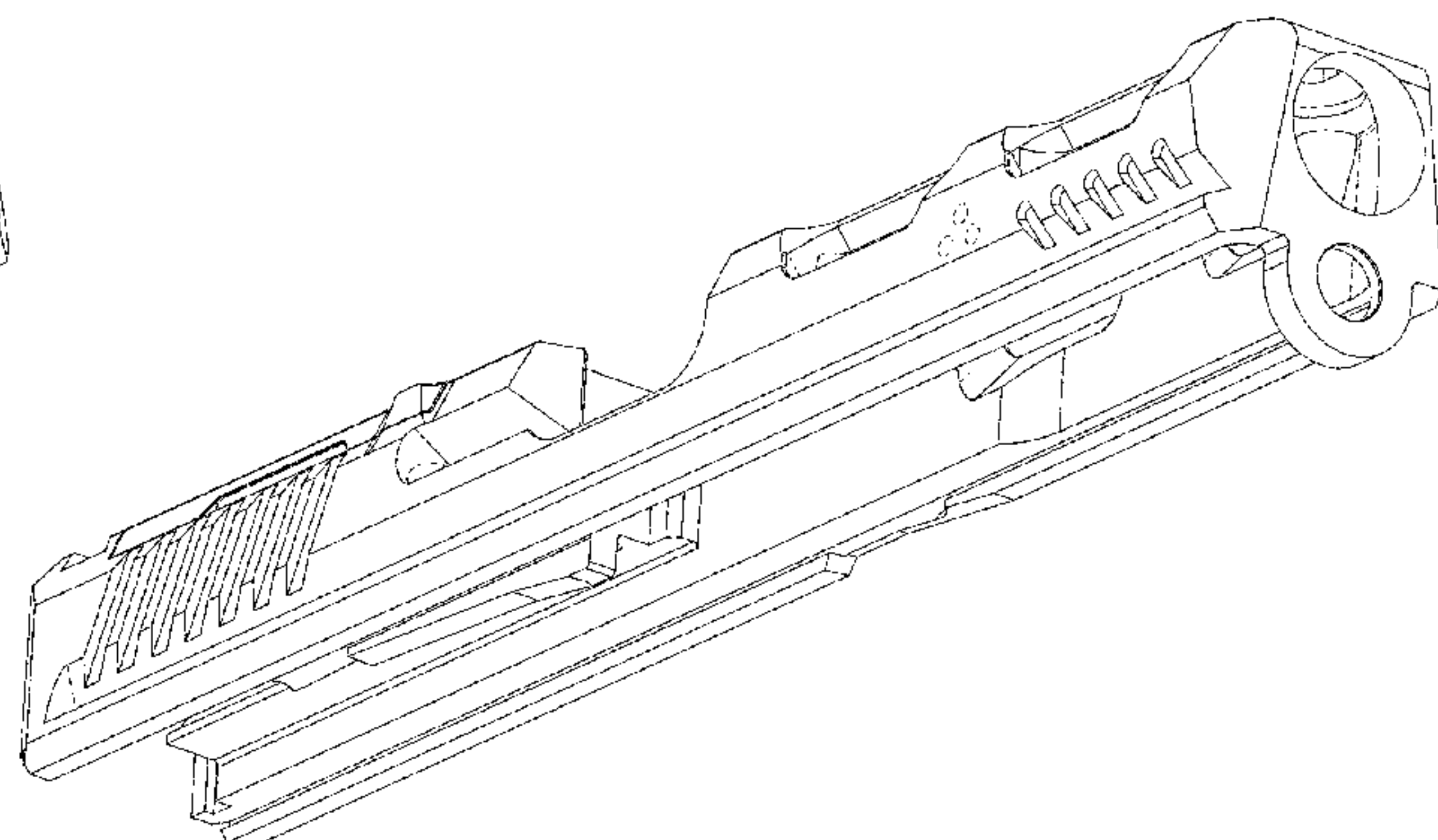
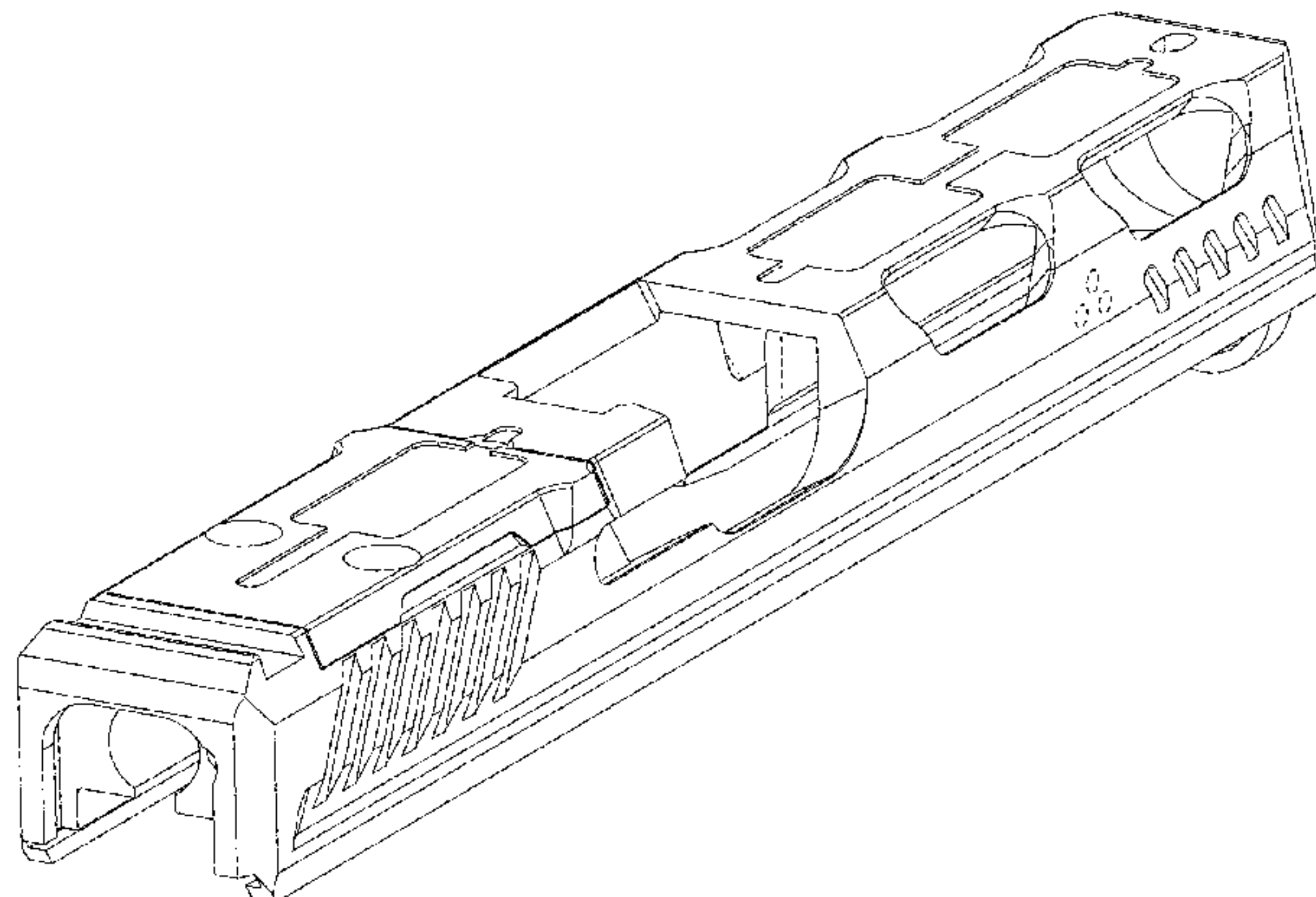
(57) **CLAIM**

I claim the ornamental design for a handgun slide, as shown and described.

**DESCRIPTION**

FIG. 1 is a top plan view of the handgun slide showing my new design;  
FIG. 2 is a left-side elevational view thereof;  
FIG. 3 is a top rear, left-side perspective view thereof;  
FIG. 4 is a bottom rear, left-side perspective view thereof;  
FIG. 5 is a top front, left-side perspective view thereof;  
FIG. 6 is a bottom front, left-side perspective view thereof;  
FIG. 7 is a top rear, right-side perspective view thereof;  
FIG. 8 is a bottom rear, right-side perspective view thereof;  
FIG. 9 is a top front, right-side perspective view thereof;  
FIG. 10 is bottom front, right-side perspective view thereof;  
FIG. 11 is an enlarged rear elevational view thereof;  
FIG. 12 is an enlarged front elevational view thereof; and,  
FIG. 13 is a bottom plan view thereof.  
The broken lines in the drawings depict unclaimed portions of the handgun slide only and form no part of the claimed design.

**1 Claim, 13 Drawing Sheets**



(56)

**References Cited**

U.S. PATENT DOCUMENTS

D815,233 S \* 4/2018 Toner ..... D22/104  
9,970,727 B2 \* 5/2018 Niswander ..... F41A 21/36  
D824,478 S \* 7/2018 Shelton ..... D22/108  
D860,375 S \* 9/2019 Chavez ..... D22/109  
2016/0047613 A1 \* 2/2016 Hudson, III ..... F41A 3/86  
42/14

OTHER PUBLICATIONS

The Firearm Blog.com, Strike Industries ARK Slide For Gen 3 Glock 19 Pistols, Publication date Aug. 27, 2019, [site visited Oct. 1, 2019], Available on the Internet URL <https://www.thefirearmblog.com/blog/2019/08/27/strike-industries-ark-slide-for-gen-3-glock-19-pistols/> (Year: 2019).\*

\* cited by examiner

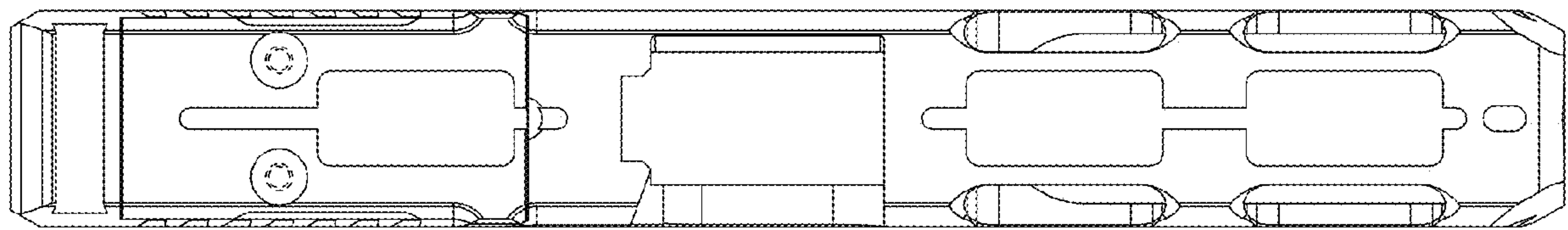


FIG. 1

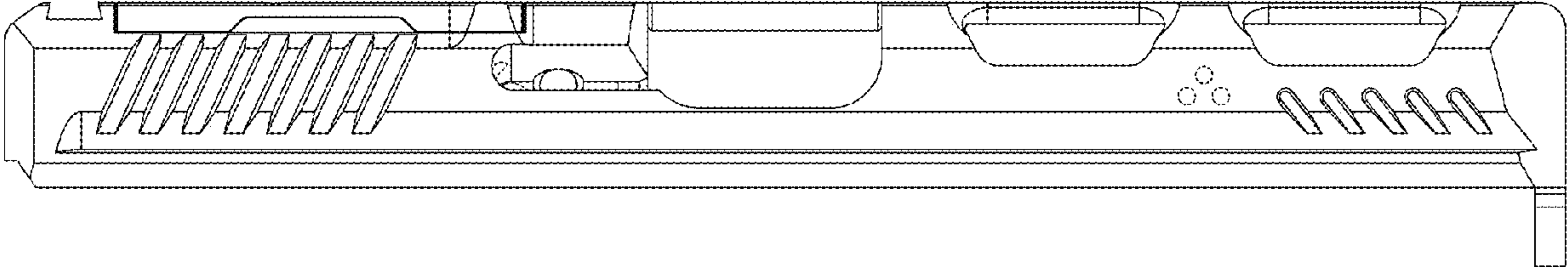


FIG. 2

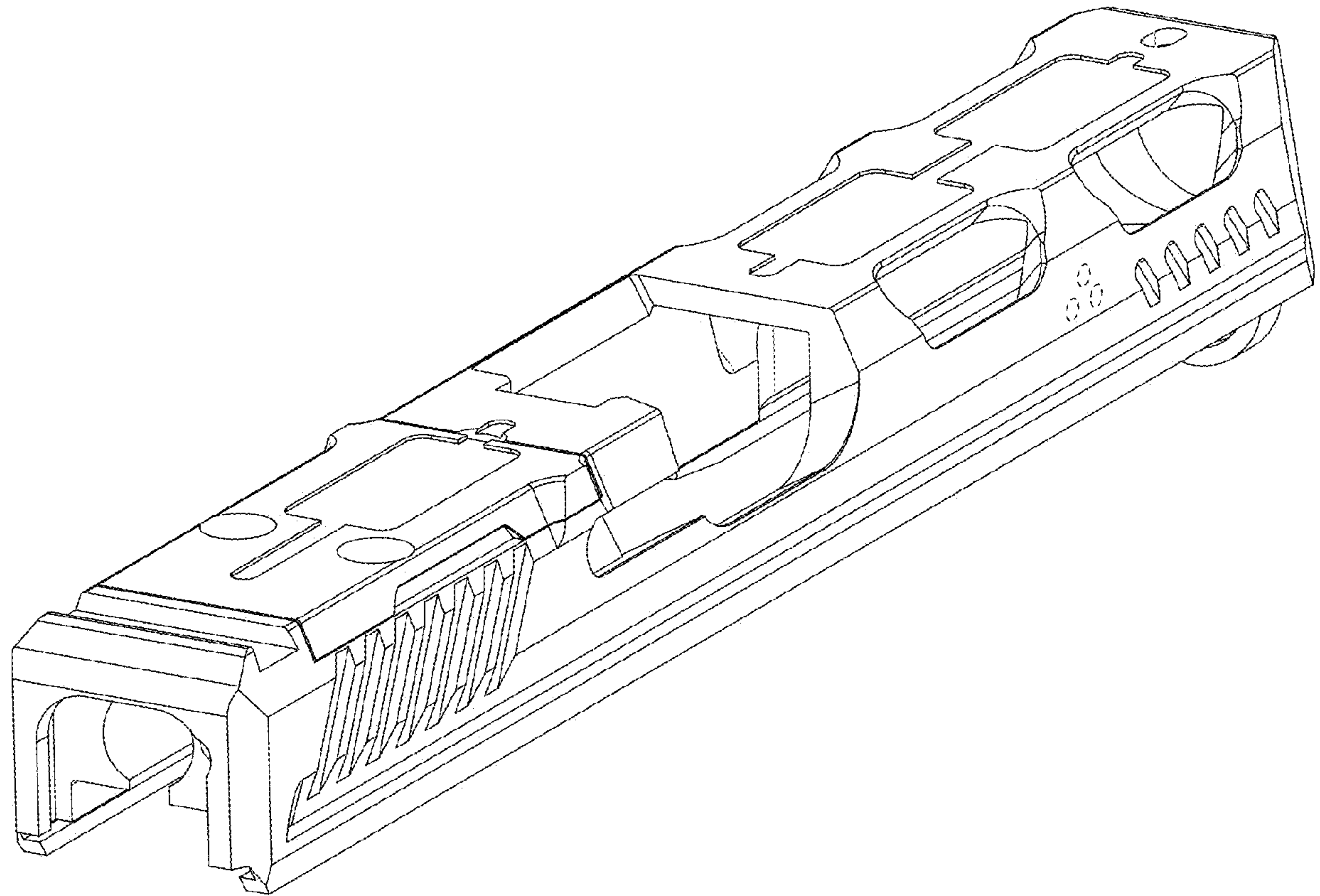


FIG. 3



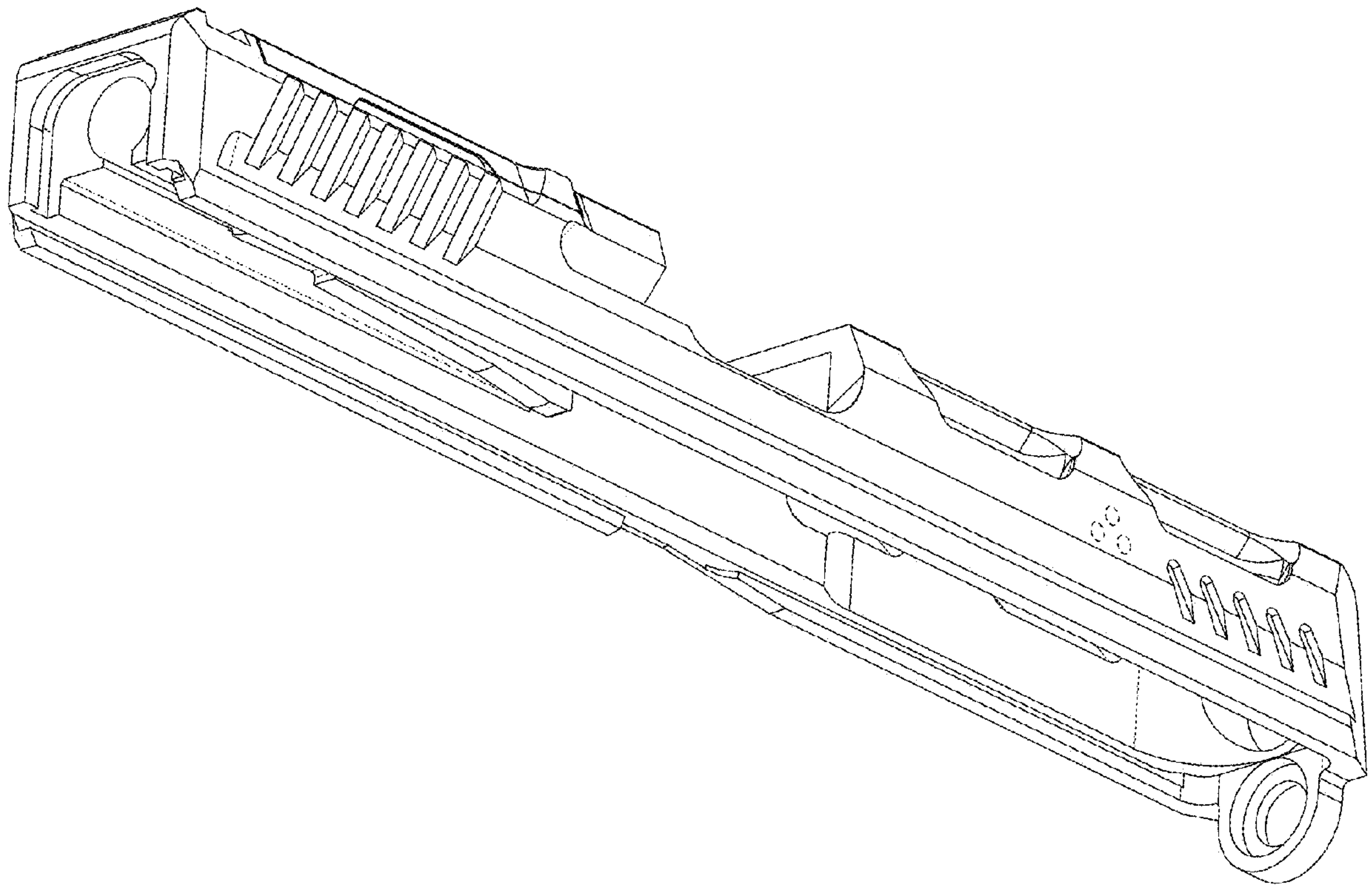


FIG. 4

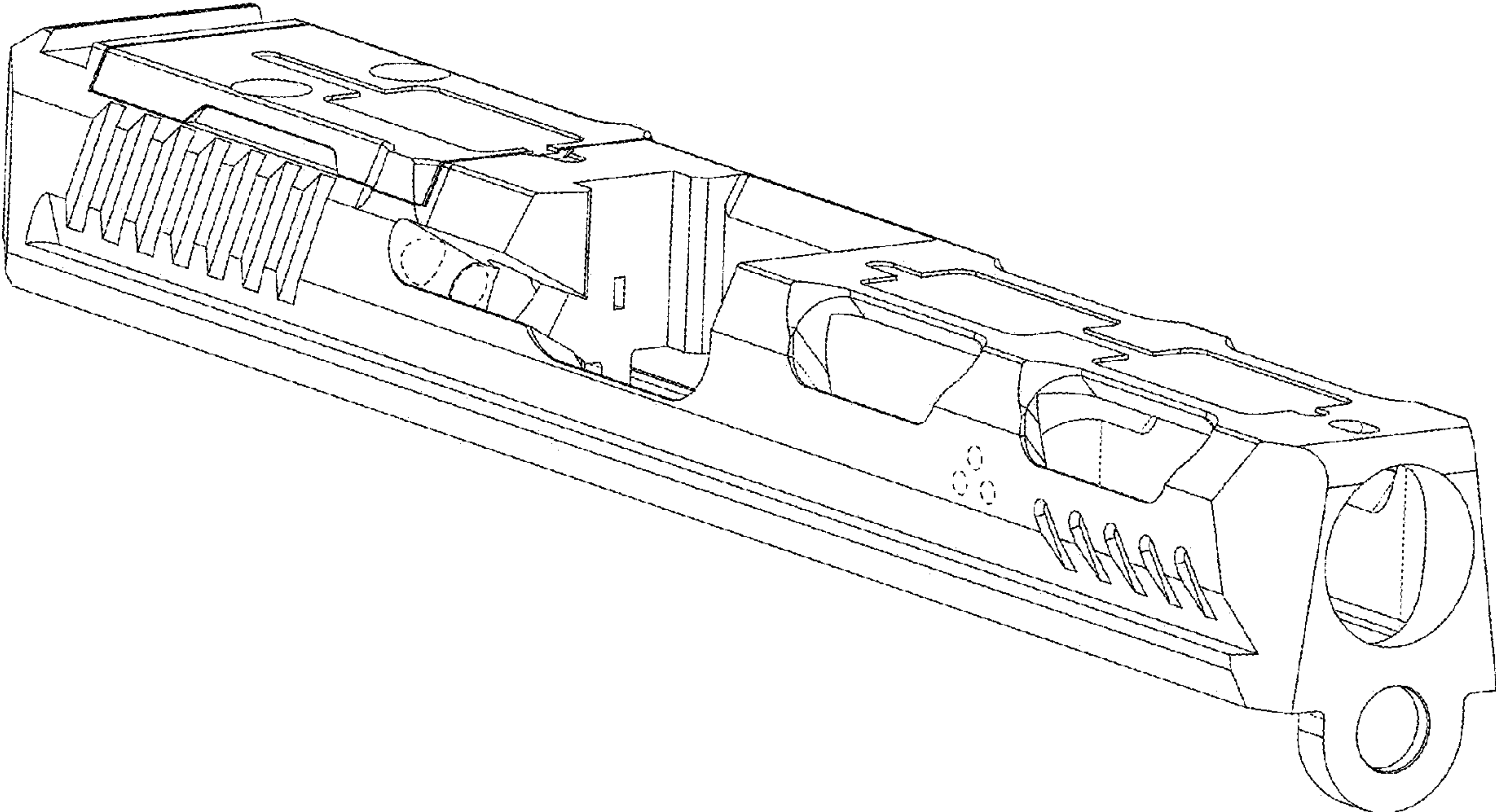


FIG. 5

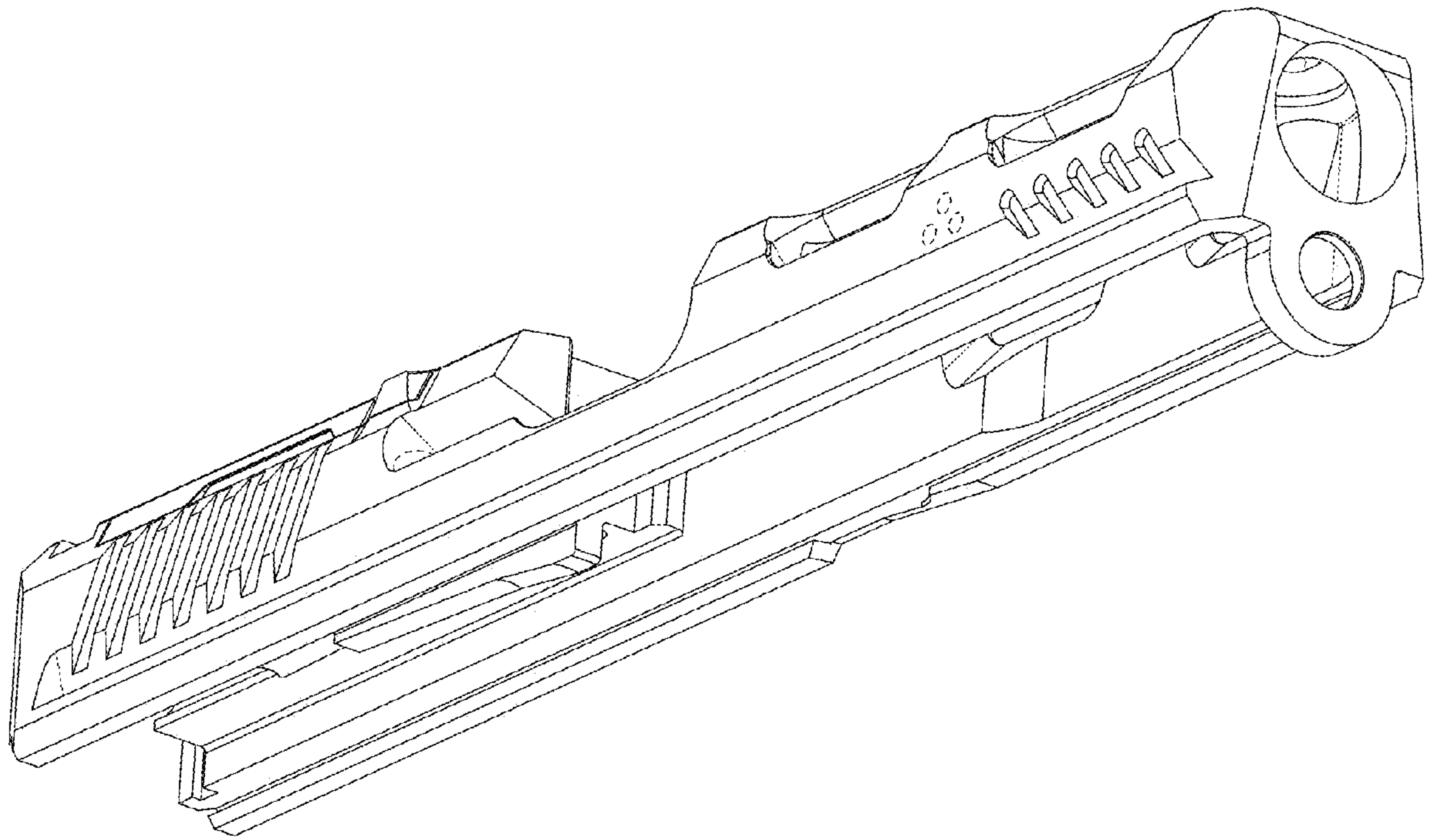


FIG. 6



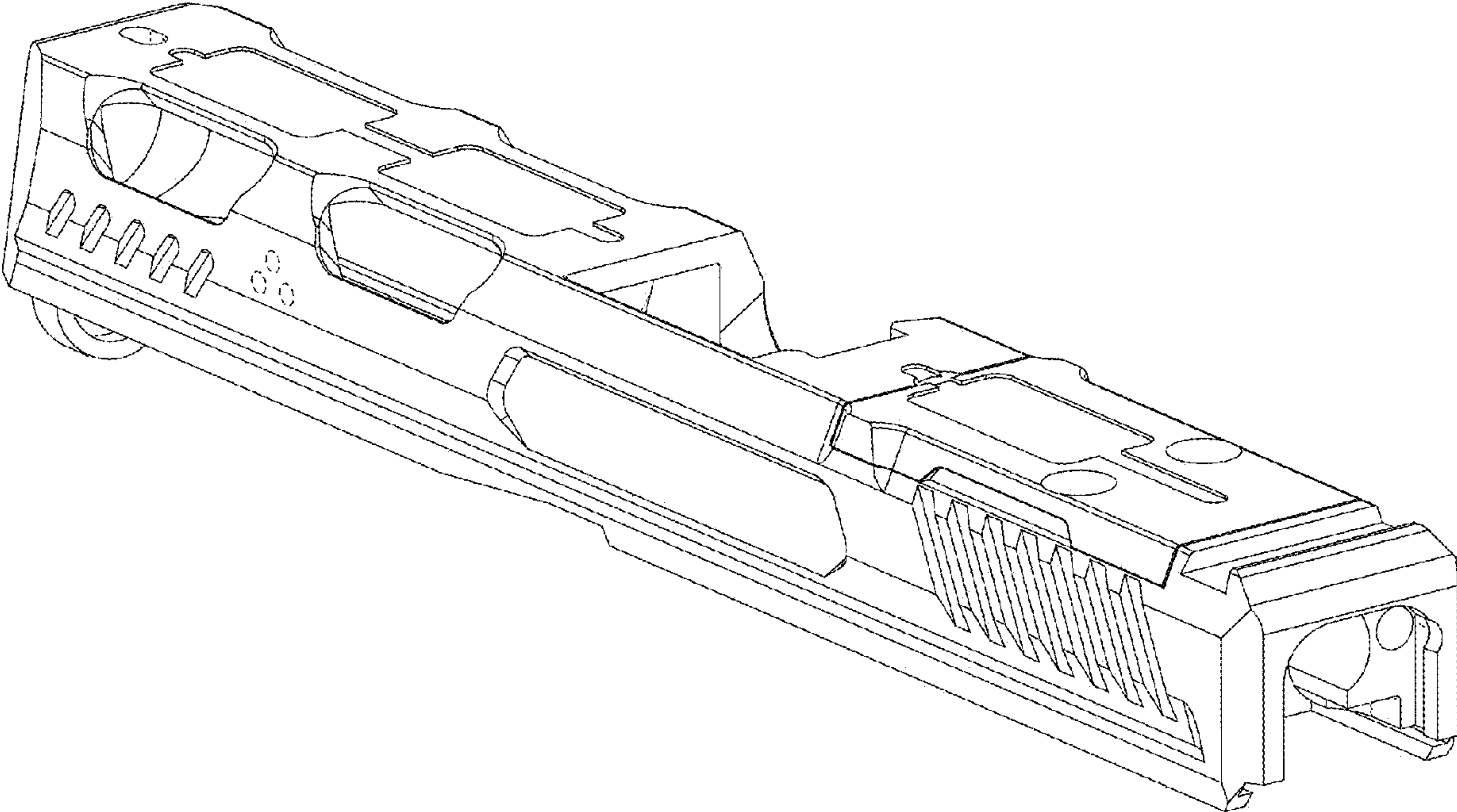


FIG. 7

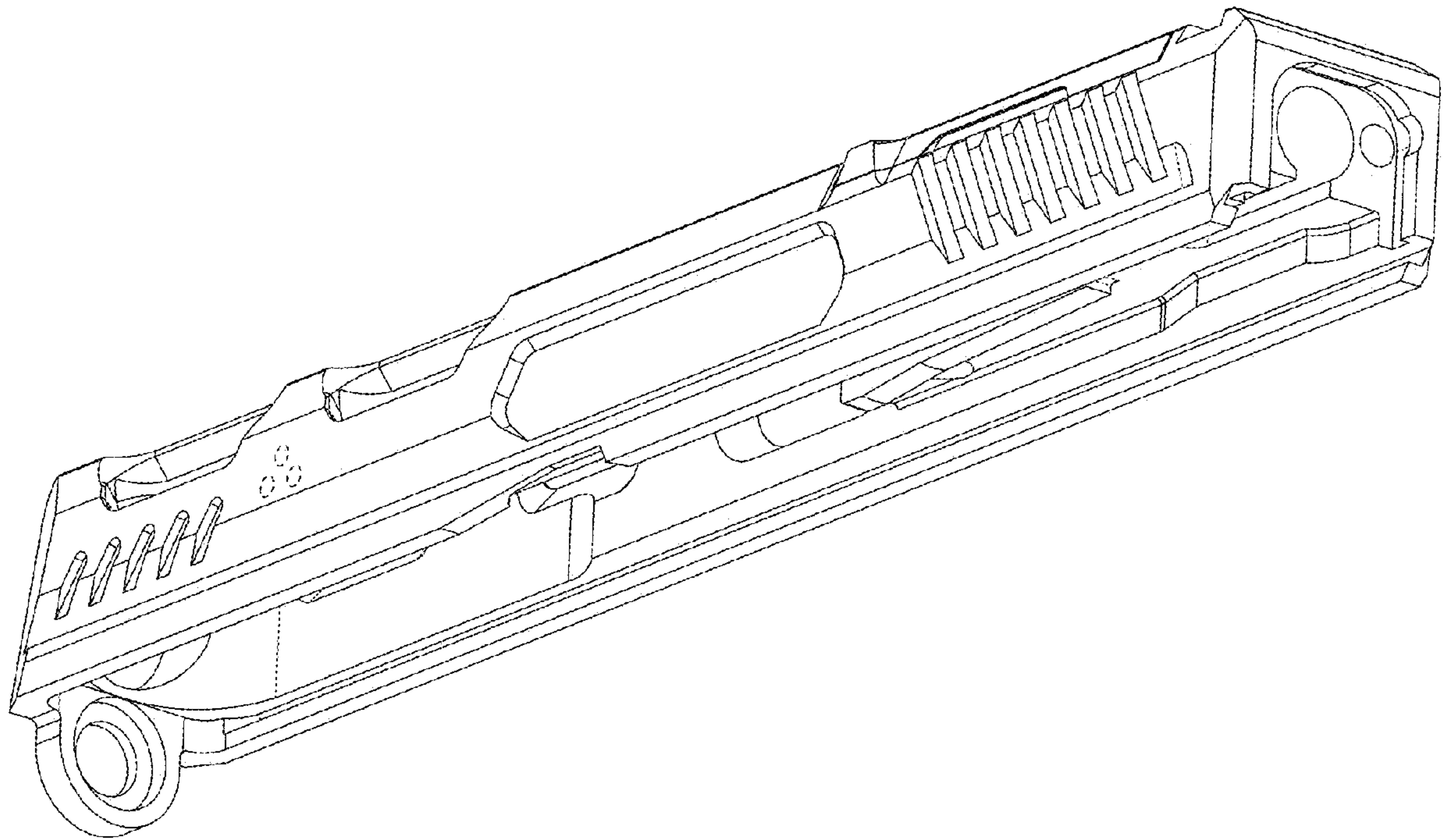


FIG. 8

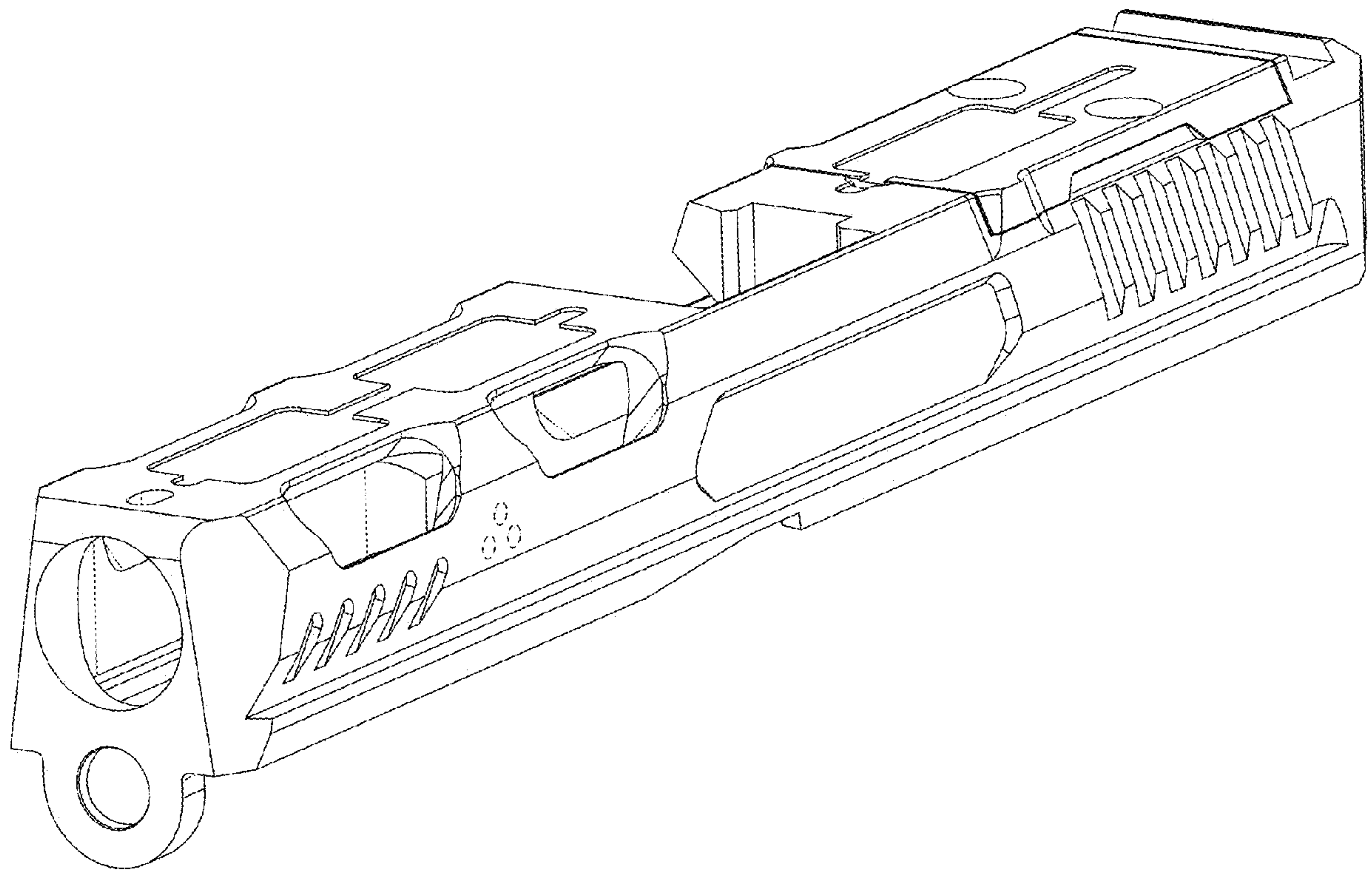


FIG. 9

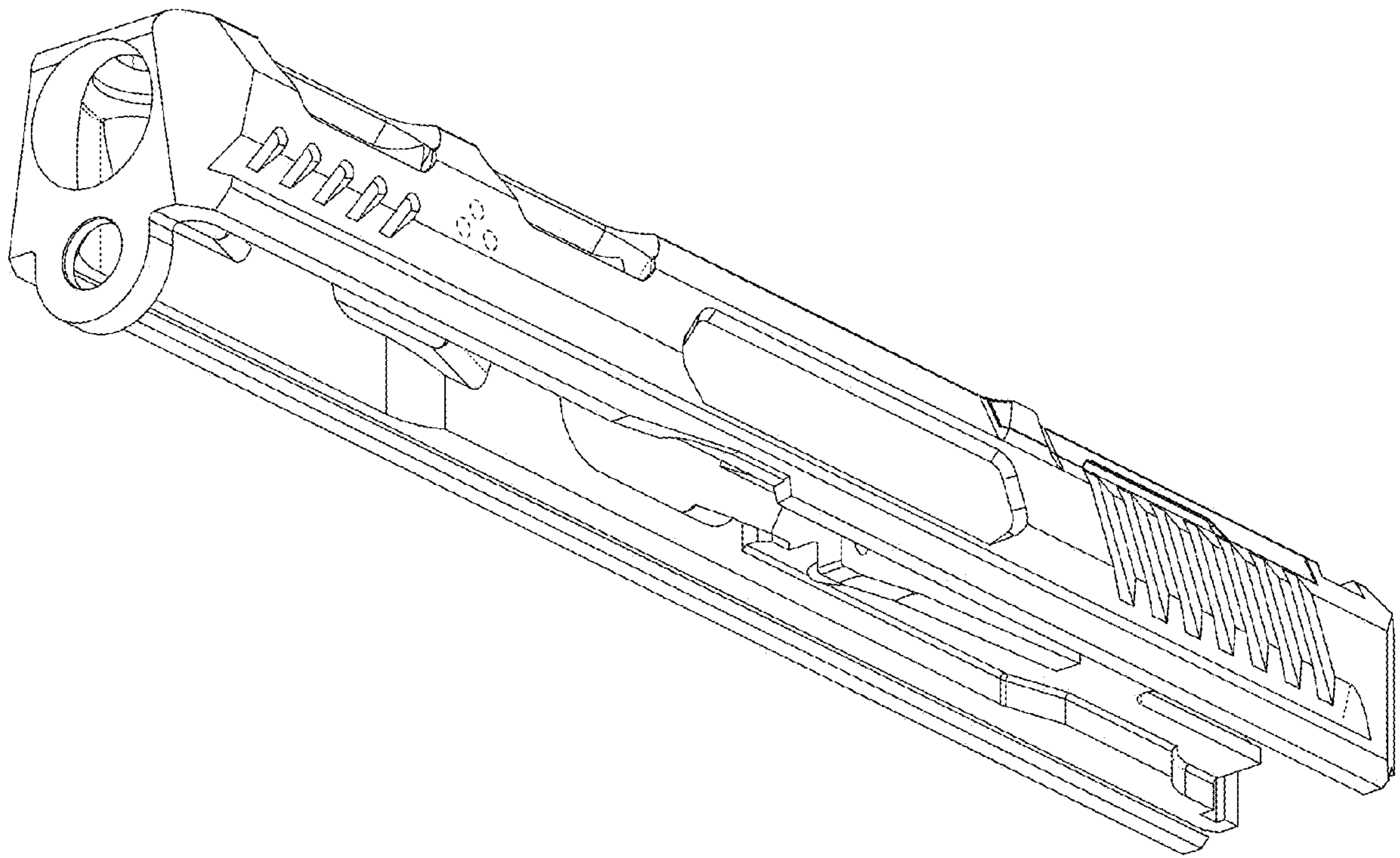


FIG. 10

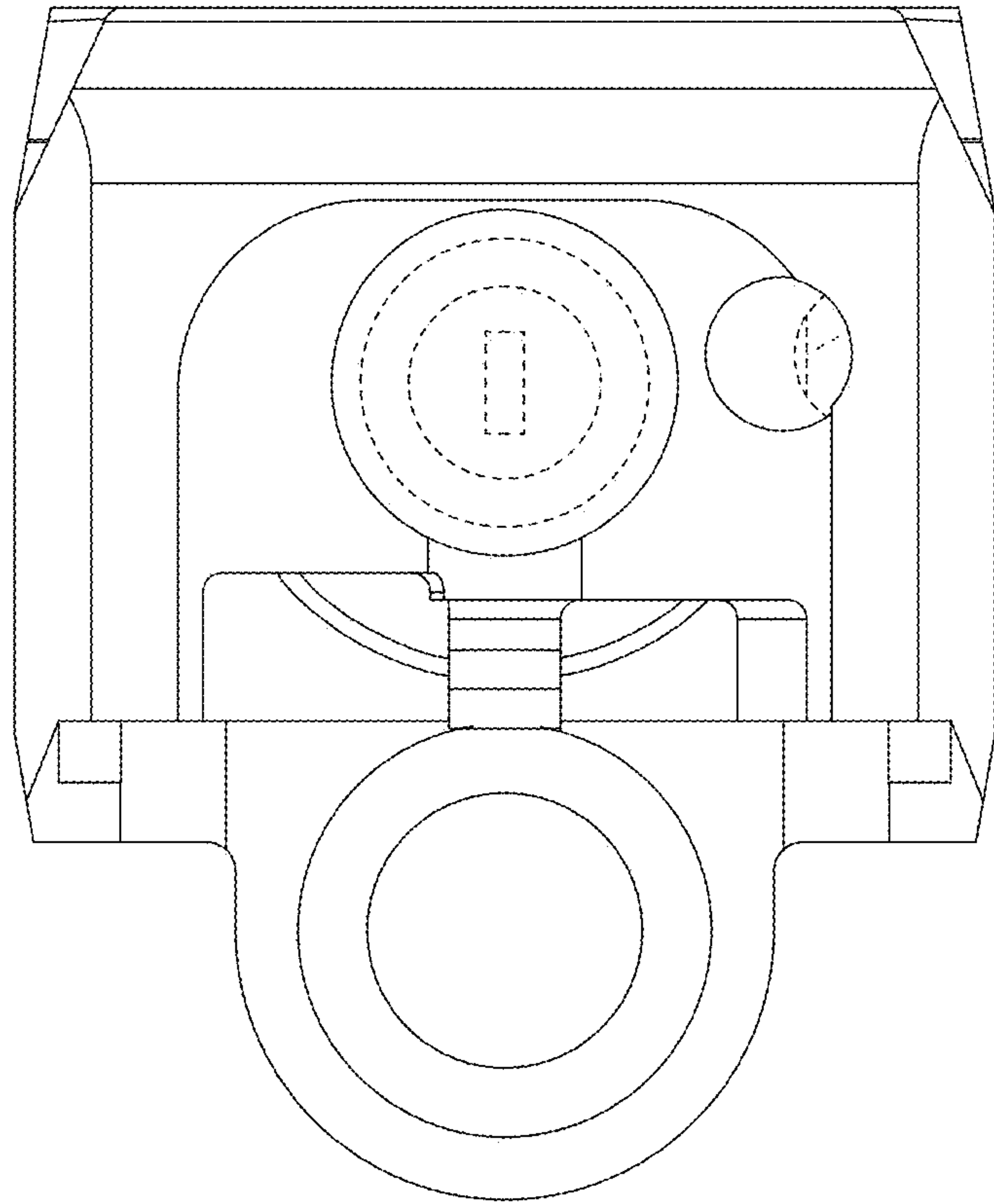


FIG. 11



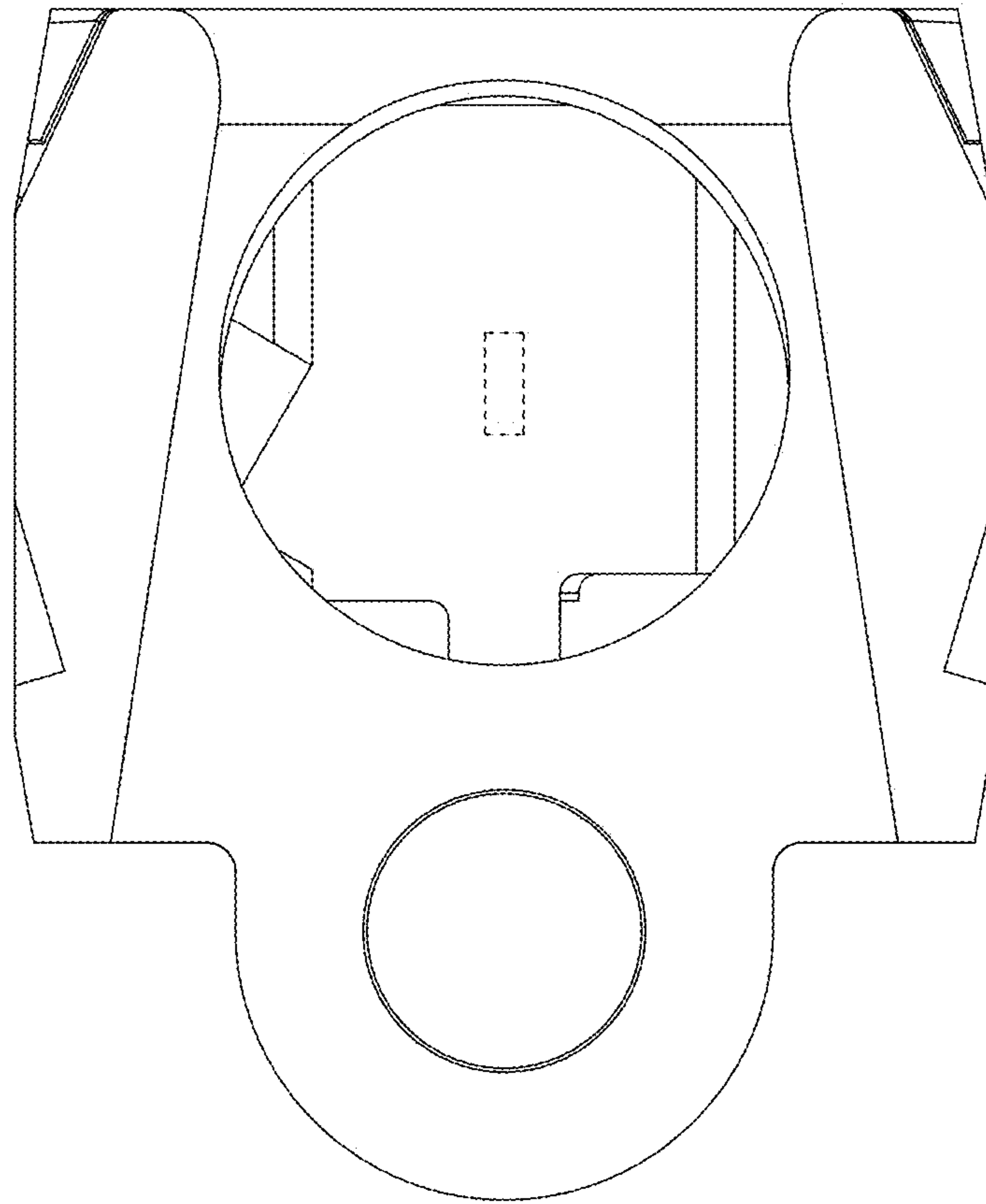


FIG. 12

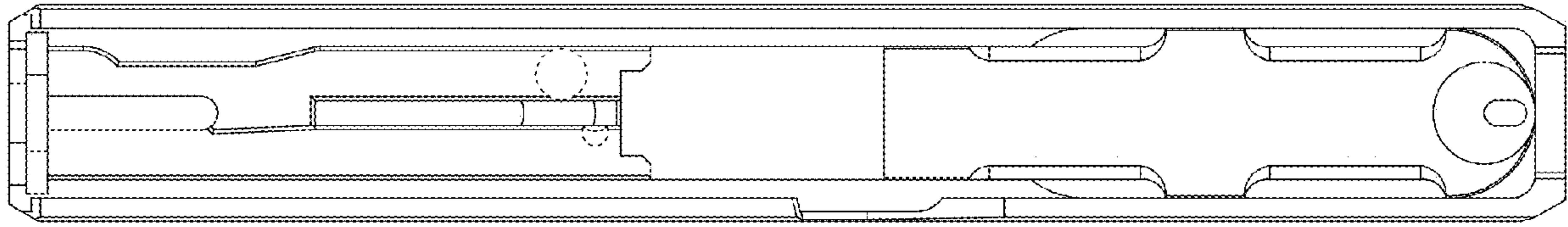


FIG. 13