



US00D910795S

(12) **United States Design Patent**  
**Zhu**

(10) **Patent No.:** **US D910,795 S**

(45) **Date of Patent:** **\*\* Feb. 16, 2021**

(54) **TENT**

(71) Applicant: **Guangqing Zhu**, Danyang (CN)

(72) Inventor: **Guangqing Zhu**, Danyang (CN)

(\*\*) Term: **15 Years**

(21) Appl. No.: **29/687,909**

(22) Filed: **Apr. 17, 2019**

(51) **LOC (13) Cl.** ..... **21-04**

(52) **U.S. Cl.**  
USPC ..... **D21/834; D21/837; D21/838**

(58) **Field of Classification Search**  
USPC ..... D21/834, 835, 836, 837, 838, 839, 840;  
D25/22, 56, 61; D12/404; 135/88.13,  
135/96, 124, 125, 148  
CPC ..... E04H 15/32; E04H 15/34; E04H 15/48;  
E04H 15/324; E04H 15/06; E04H 15/006;  
E04H 15/40; E04H 15/00; E04H 15/42;  
E04H 15/54; E04H 15/12; E04H 15/56;  
E04H 15/20; A47D 13/063  
See application file for complete search history.

(56) **References Cited**

**U.S. PATENT DOCUMENTS**

2,475,515	A *	7/1949	Potter	.....	A47C 29/006 135/125
2,771,087	A *	11/1956	Simonson	.....	E04H 15/28 135/126
D332,986	S *	2/1993	Choi	.....	D21/838
5,884,646	A *	3/1999	Ju	.....	E04H 15/64 135/135
D535,350	S *	1/2007	Ju	.....	D21/834
D661,362	S *	6/2012	Zimmer	.....	D21/834
D695,375	S *	12/2013	Jin	.....	D21/834
D695,376	S *	12/2013	Jin	.....	D21/834
D696,373	S *	12/2013	Jin	.....	D21/834
D705,884	S *	5/2014	Jin	.....	D21/834
D718,828	S *	12/2014	Jin	.....	D21/834

D721,413	S *	1/2015	Zimmer	.....	D21/837
D725,211	S *	3/2015	Lah	.....	D21/834
D725,212	S *	3/2015	Lah	.....	D21/834
D741,437	S *	10/2015	Zimmer	.....	D21/837
D795,980	S *	8/2017	Xiao	.....	D21/834
D822,783	S *	7/2018	Xu	.....	D21/837

(Continued)

**OTHER PUBLICATIONS**

Teton Sports Mountain Ultra Tents—Gear Review, By Adam N. on Jan. 11, 2015 [Online], [Site visited Jun. 2, 2020] Available From Internet, URL:<<https://www.hikingthetrail.com/teton-sports-mountain-ultra-tents-gear-review/>> (Year: 2018).\*

(Continued)

*Primary Examiner* — Sandra Snapp

*Assistant Examiner* — Donald B Rose, Jr.

(74) *Attorney, Agent, or Firm* — Law Offices of Steven W. Weinrieb

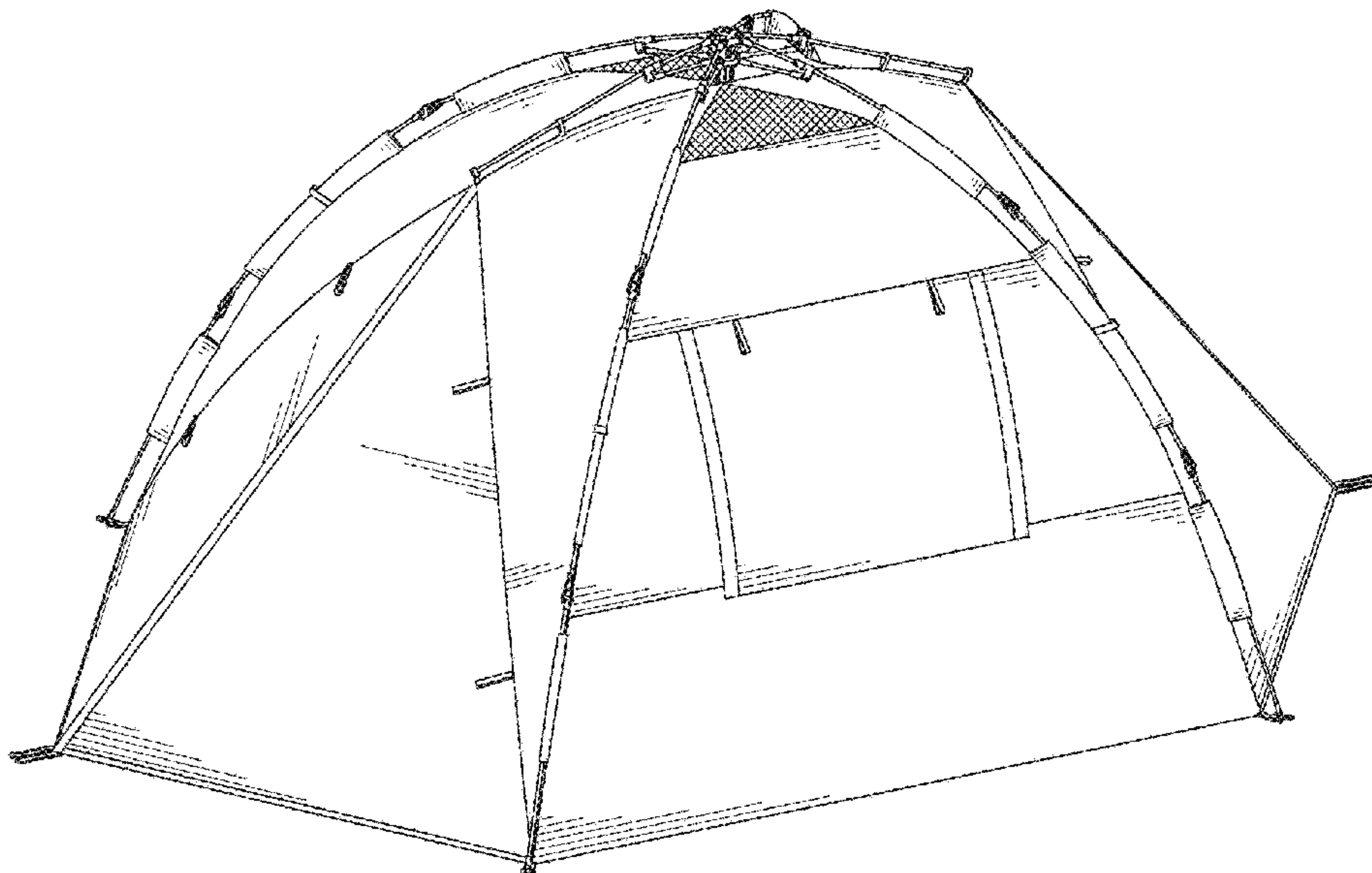
(57) **CLAIM**

The ornamental design for a tent, as shown and described.

**DESCRIPTION**

FIG. 1 is a front, left side, top perspective view of the tent showing my new design;  
FIG. 2 is a rear, left side, bottom perspective view thereof;  
FIG. 3 is a front elevational view thereof;  
FIG. 4 is a rear elevational view thereof;  
FIG. 5 is a left side elevational view thereof;  
FIG. 6 is a right side elevational view thereof;  
FIG. 7 is a top plan view thereof;  
FIG. 8 is a bottom plan view thereof; and,  
FIG. 9 is a front, left side, top perspective view thereof showing the tent in use.  
The broken lines shown in the drawings depict portions of the tent that form no part of the claimed design.

**1 Claim, 9 Drawing Sheets**



(56)

**References Cited**

U.S. PATENT DOCUMENTS

D824,475	S *	7/2018	Xu	.....	D21/837
D841,107	S *	2/2019	Zhu	.....	D21/834
10,287,796	B2 *	5/2019	Jin	.....	E04H 15/54
D858,676	S *	9/2019	Xu	.....	D21/834
D872,209	S *	1/2020	Zhu	.....	D21/837
D872,210	S *	1/2020	Zhu	.....	D21/837
D879,231	S *	3/2020	Zhu	.....	D21/834
10,676,956	B1 *	6/2020	Kalvani	.....	E04H 15/34
10,676,957	B1 *	6/2020	Park	.....	E04H 15/64
2017/0292285	A1 *	10/2017	Jin	.....	E04H 15/60
2018/0220751	A1 *	8/2018	Jin	.....	E04H 15/32

OTHER PUBLICATIONS

QuickHiker Fresh & Black 3-Person Waterproof Backpacking Tent, Earliest Available Date Jun. 2, 2020 [Online], [Site visited Jun. 2, 2020] Available From Internet, URL:<<https://www.decathlon.com/collections/camping-tents/products/backpacking-tent-quick-hiker-3-person-fresh-black?variant=30130884476990>> (Year: 2020).\*

\* cited by examiner

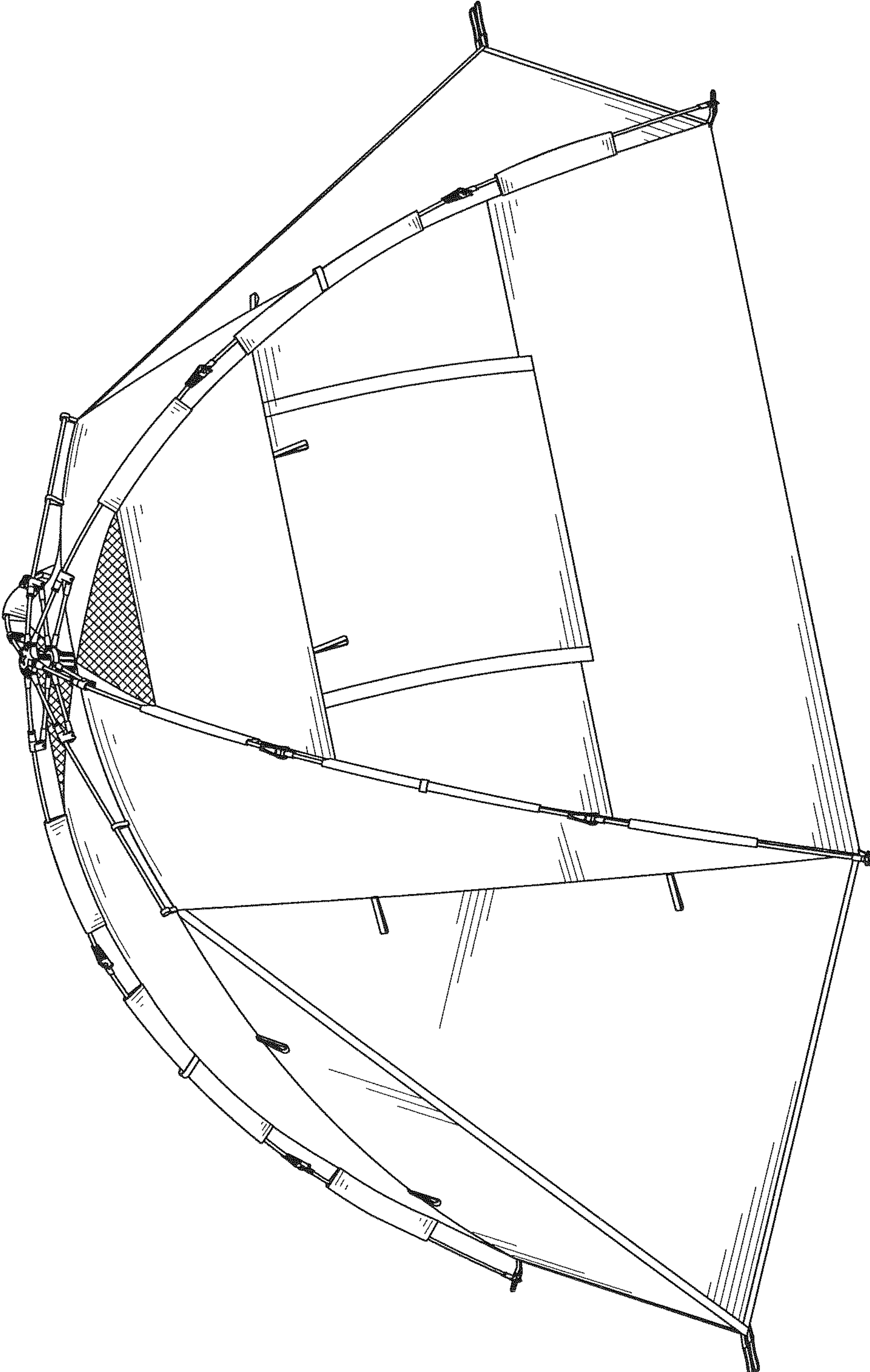


FIG. 1

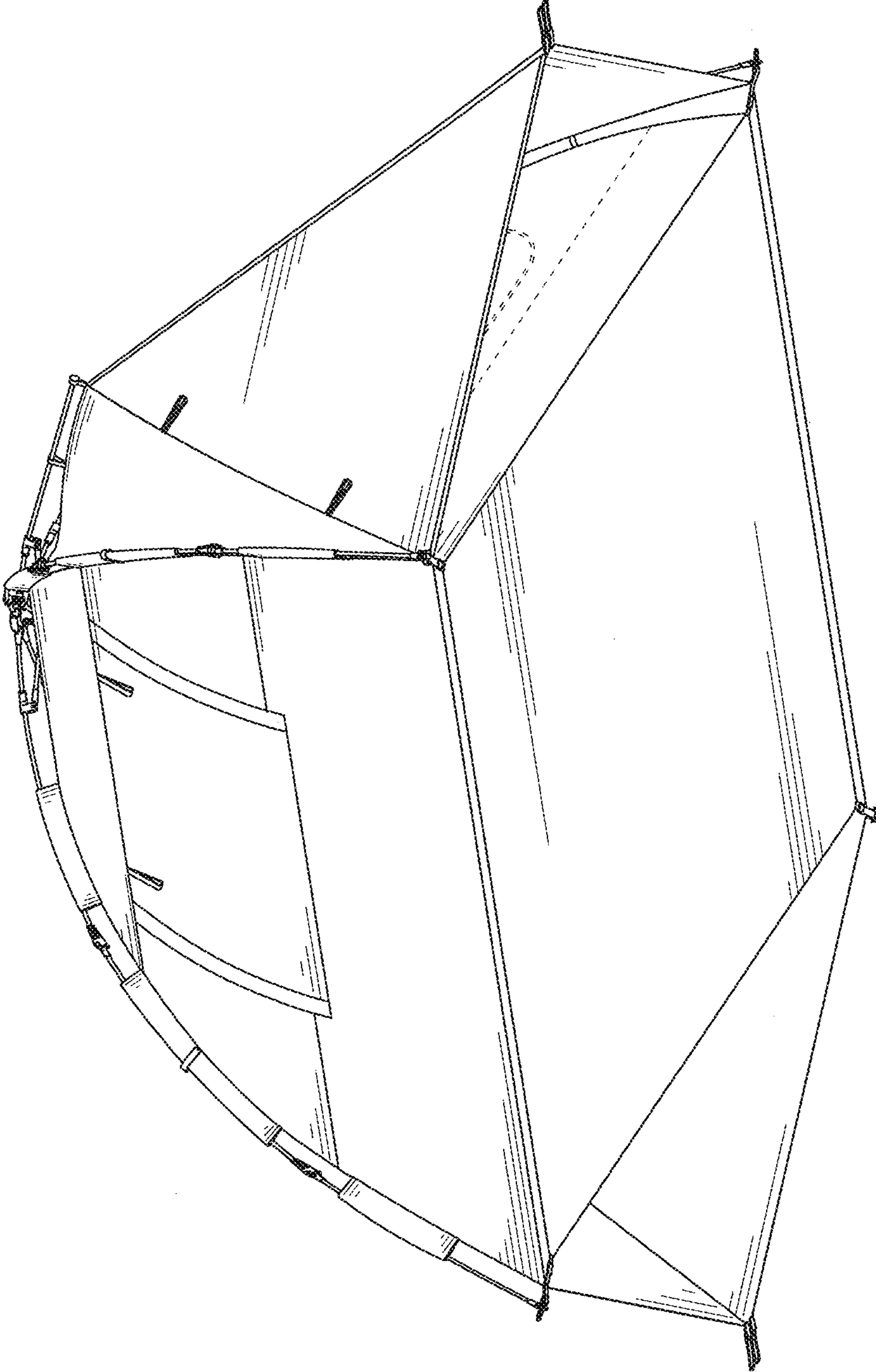


FIG. 2



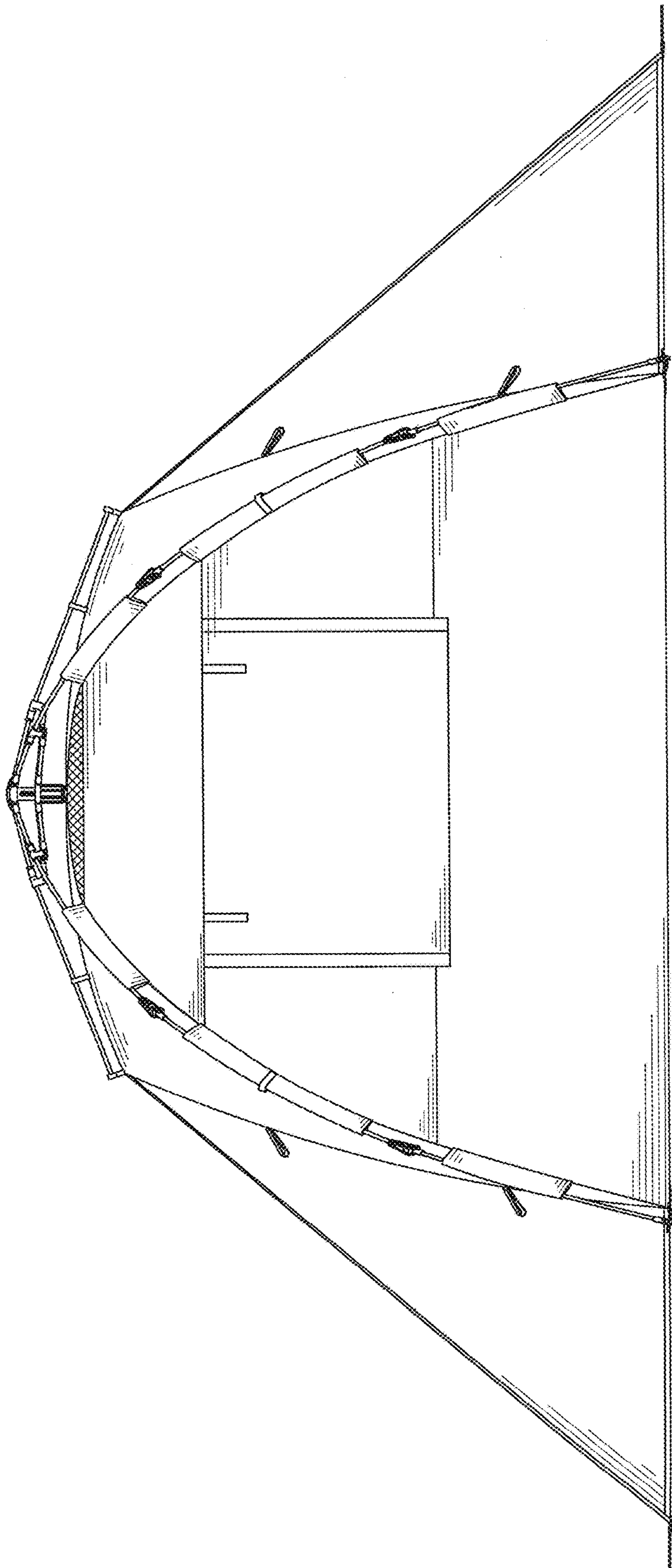


FIG. 3

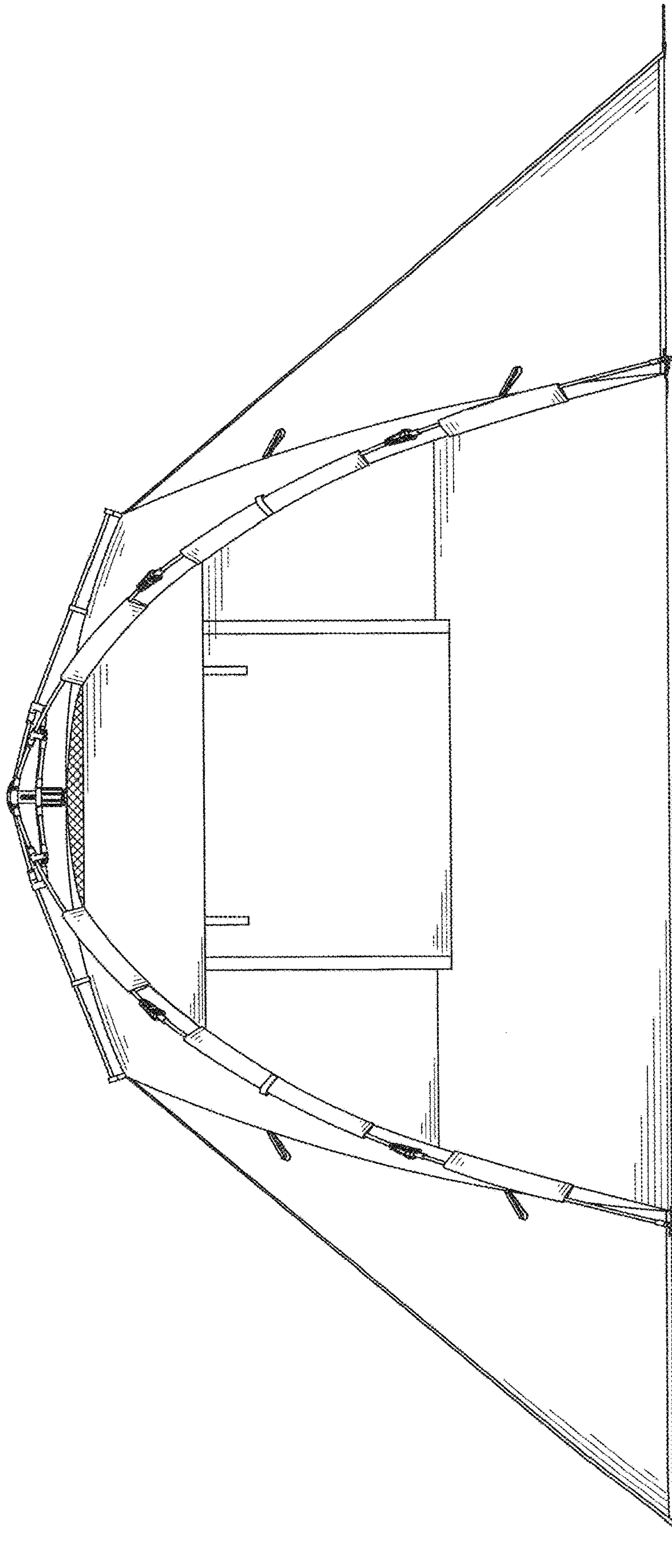


FIG. 4

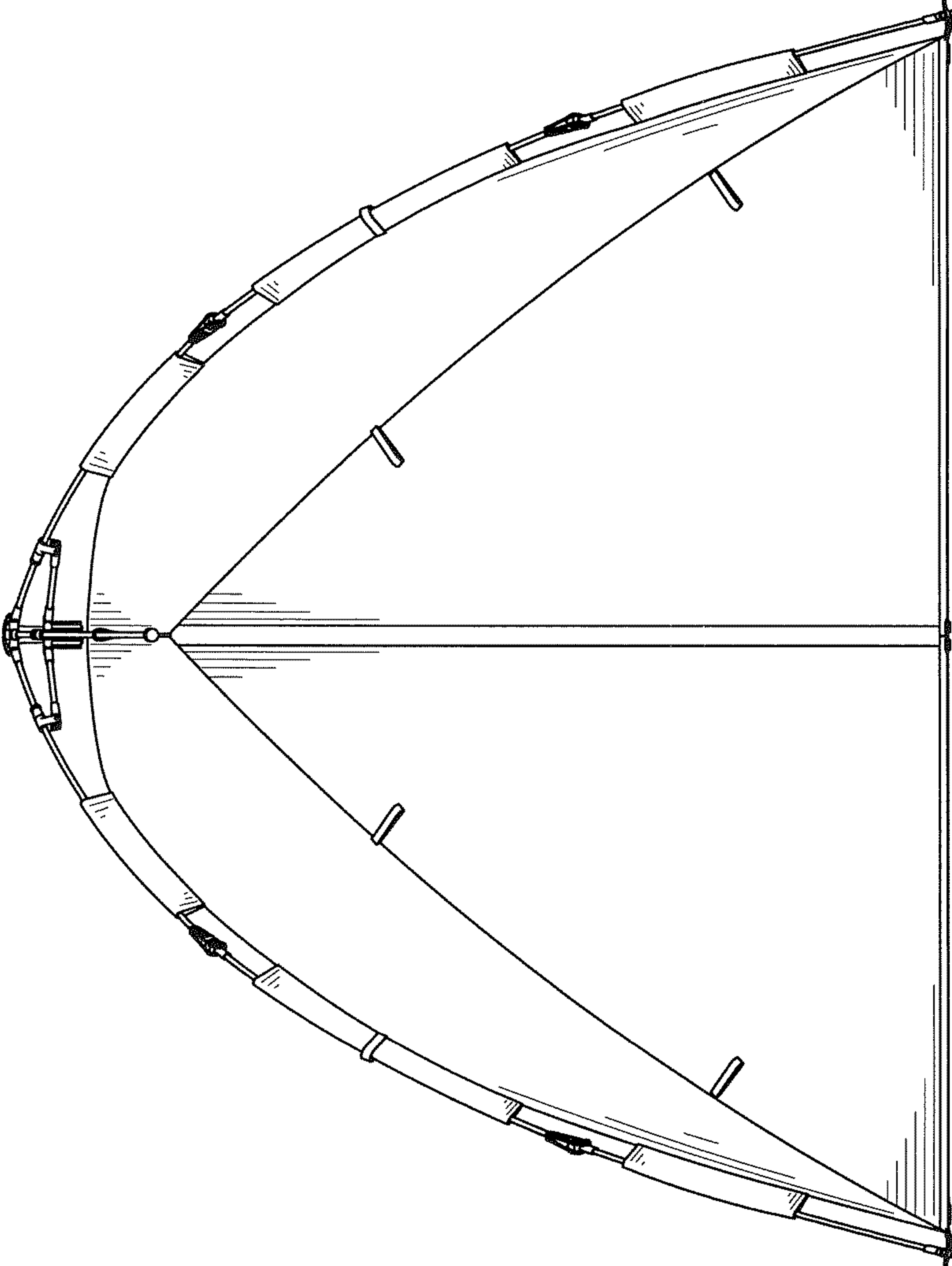


FIG. 5

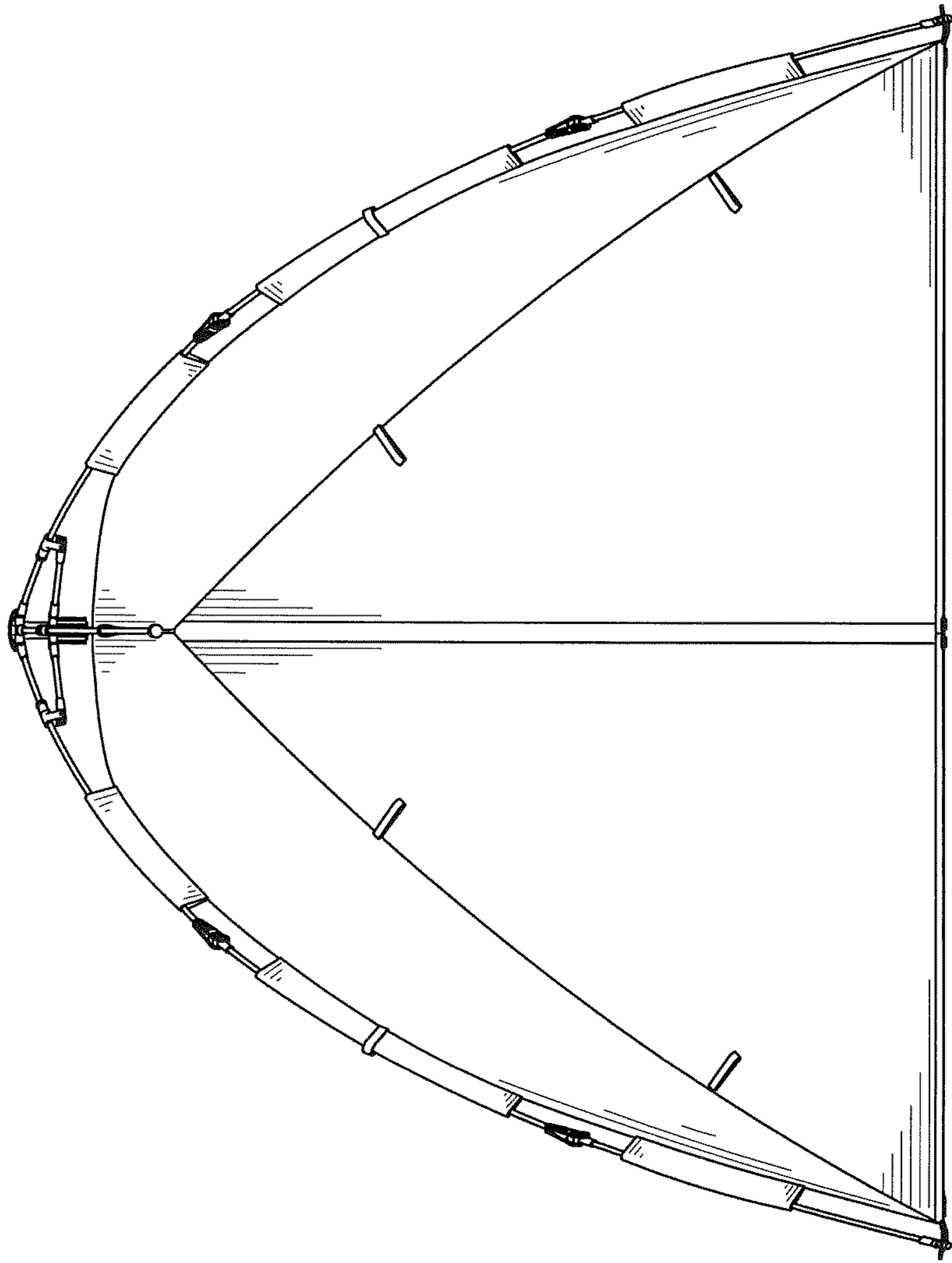


FIG. 6



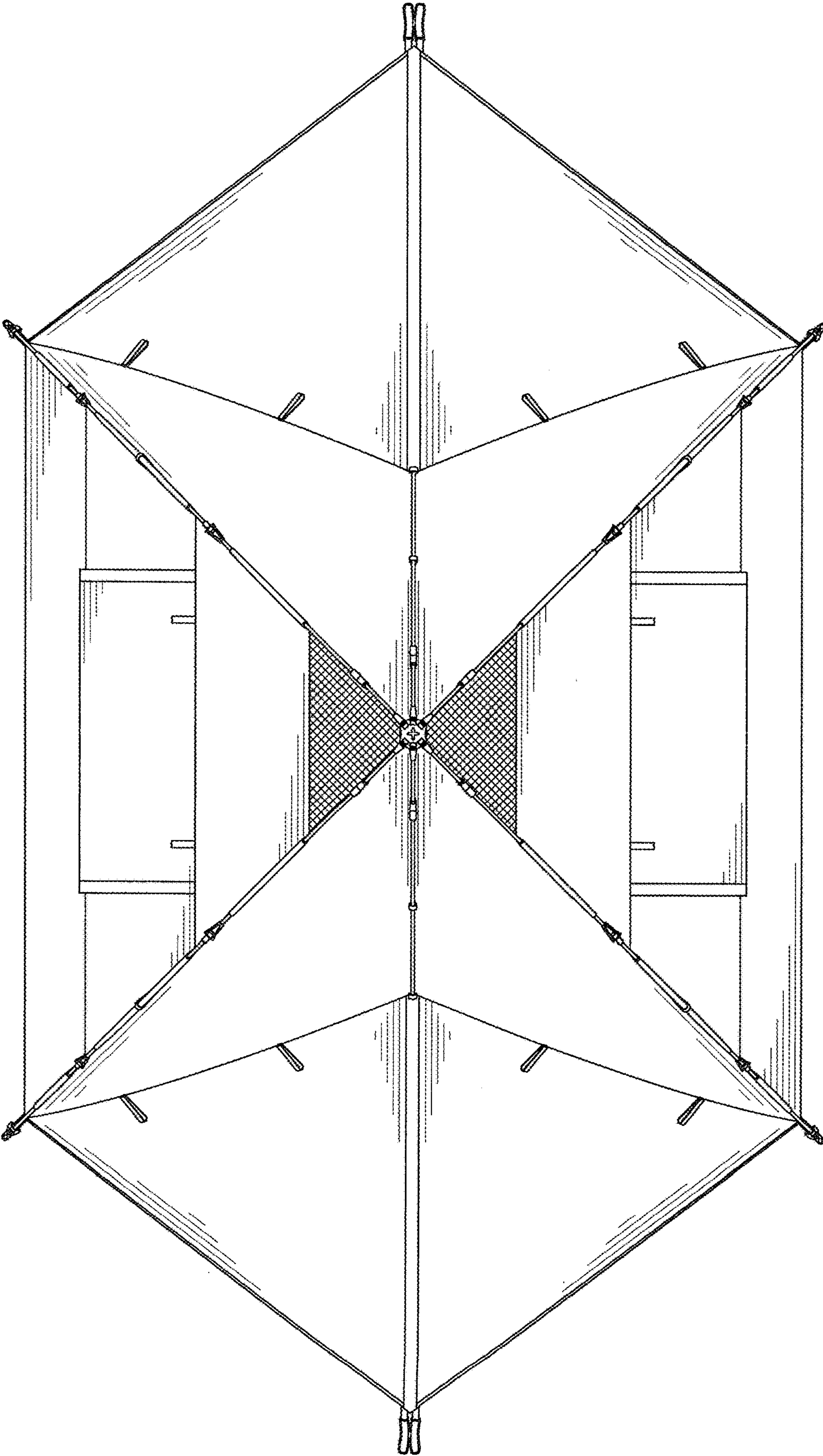


FIG. 7

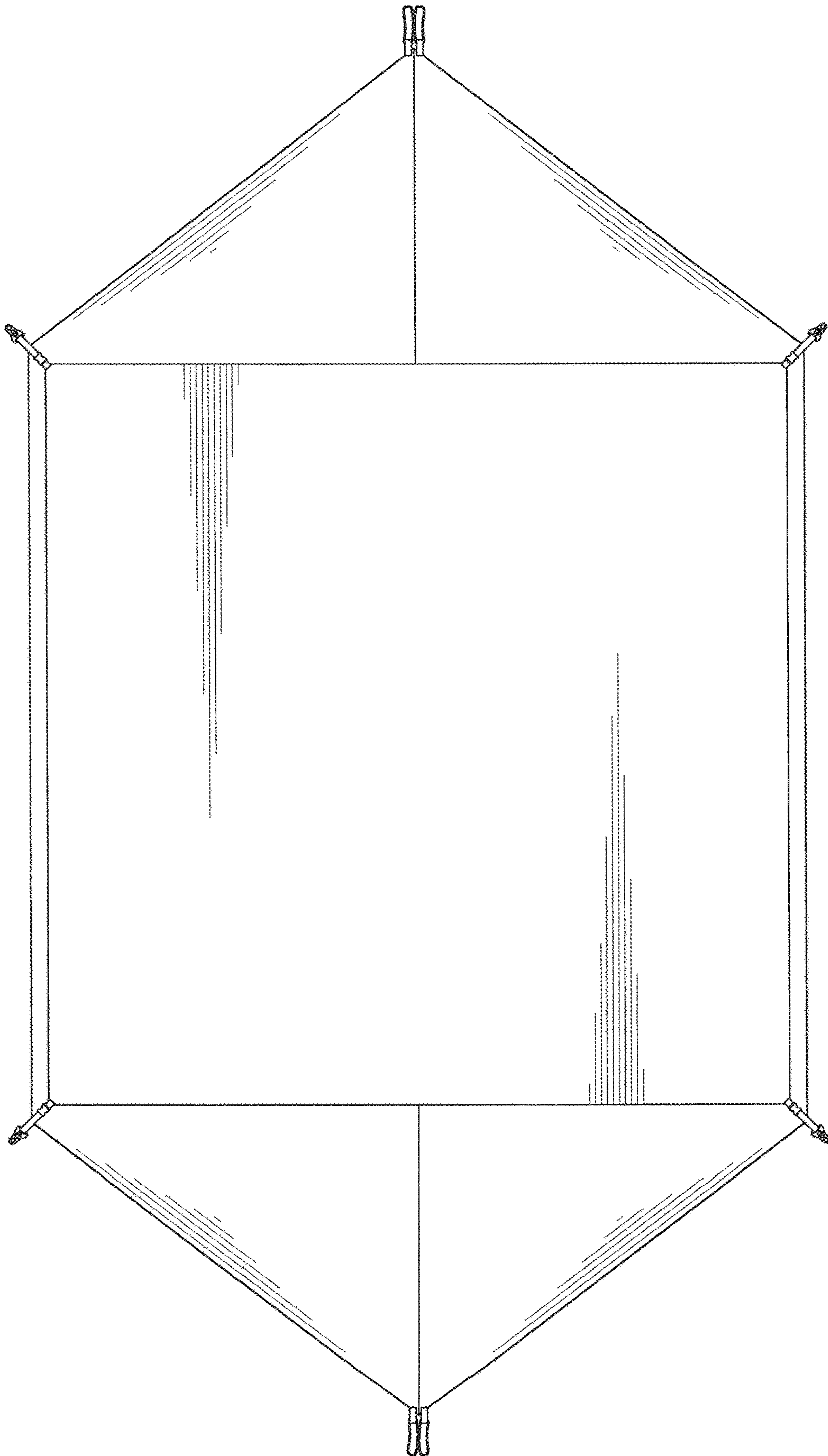


FIG. 8

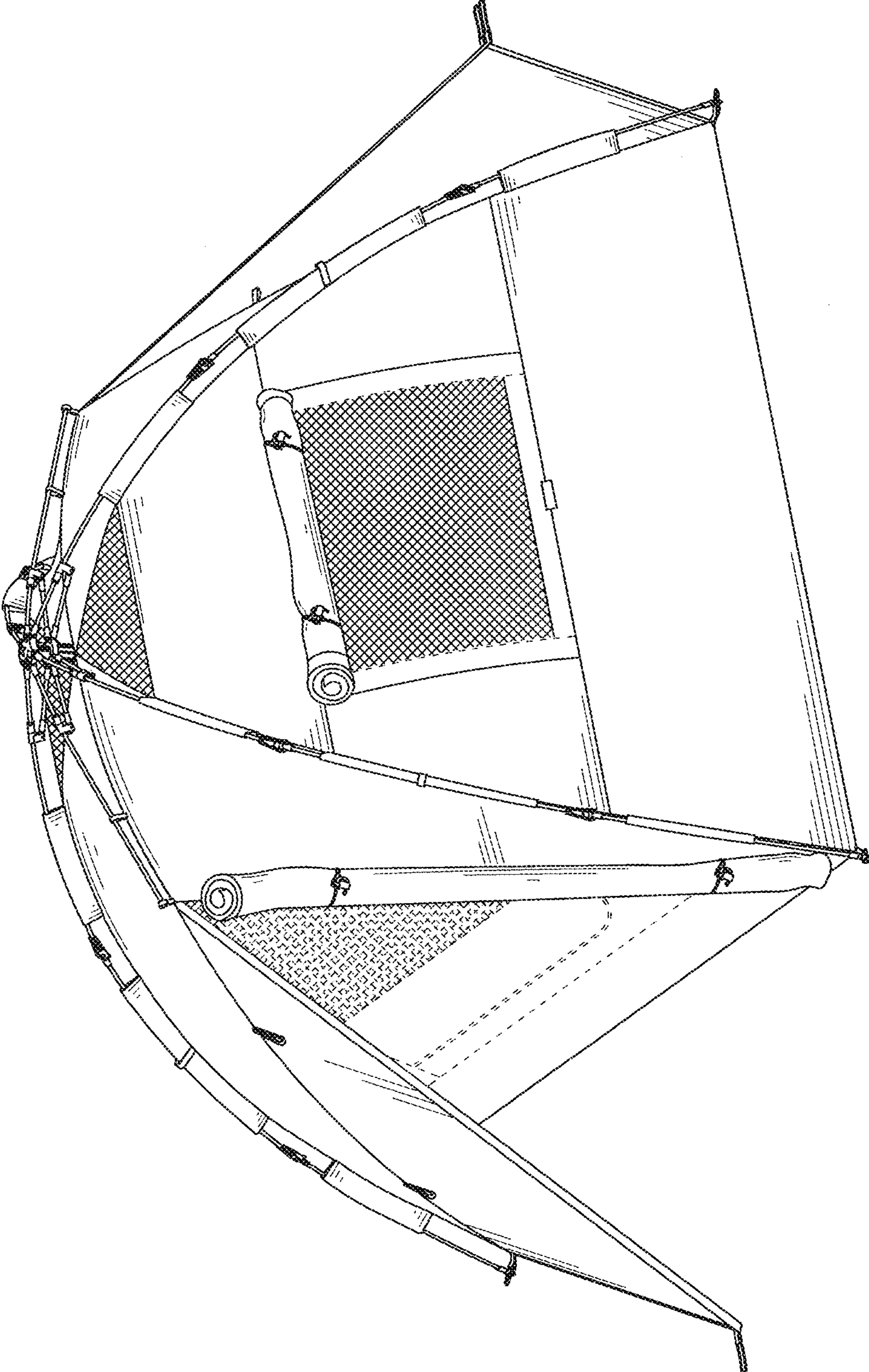


FIG. 9