



US00D910794S

(12) **United States Design Patent**
Engler et al.

(10) **Patent No.:** **US D910,794 S**

(45) **Date of Patent:** **** Feb. 16, 2021**

(54) **POOL FLOAT**

(71) Applicant: **P&P IMPORTS LLC**, Santa Ana, CA
(US)

(72) Inventors: **Peter Engler**, Newport Beach, CA
(US); **Peter Tanoury**, Newport Beach,
CA (US); **Sean Kyne**, Dana Point, CA
(US)

(73) Assignee: **P&P Imports LLC**, Irvine, CA (US)

(**) Term: **15 Years**

(21) Appl. No.: **29/719,935**

(22) Filed: **Jan. 8, 2020**

(51) **LOC (13) Cl.** **21-02**

(52) **U.S. Cl.**
USPC **D21/808**; D21/803

(58) **Field of Classification Search**
USPC D21/803, 804, 807, 808, 809, 810;
D6/392, 595, 596, 601, 604, 605;
D30/160; D24/194, 195, 214
CPC .. A63B 21/4005; A47C 15/006; A47C 15/008
See application file for complete search history.

(56) **References Cited**

U.S. PATENT DOCUMENTS

D291,687 S *	9/1987	Wolfe	D12/316
D291,716 S *	9/1987	Wolfe	D21/619
D291,910 S *	9/1987	Wolfe	D21/620
D306,633 S *	3/1990	Wolfe	D21/808
D783,370 S *	4/2017	Su	D7/619.2
D787,617 S *	5/2017	Krepack	D21/808

D849,866 S *	5/2019	Barrett	D21/808
D868,921 S *	12/2019	Tanoury	D21/808
D868,922 S *	12/2019	Tanoury	D21/808
D872,206 S *	1/2020	Engler	D21/808
D879,899 S *	3/2020	Engler	D21/808
D882,713 S *	4/2020	Engler	D21/808

OTHER PUBLICATIONS

“GoFloats Instagram” Sep. 15, 2020, site visited Nov. 17, 2020:
<https://www.instagram.com/p/CFLPkDnAAwm/> (Year: 2020).*

* cited by examiner

Primary Examiner — Michael C Stout

Assistant Examiner — Melvin L Davis

(74) *Attorney, Agent, or Firm* — Casey Kempner;
Michael DiCato

(57) **CLAIM**

The ornamental design for a pool float, as shown and described.

DESCRIPTION

FIG. 1 is a perspective view of a pool float showing the claimed design;

FIG. 2 is a top view of the pool float shown in FIG. 1;

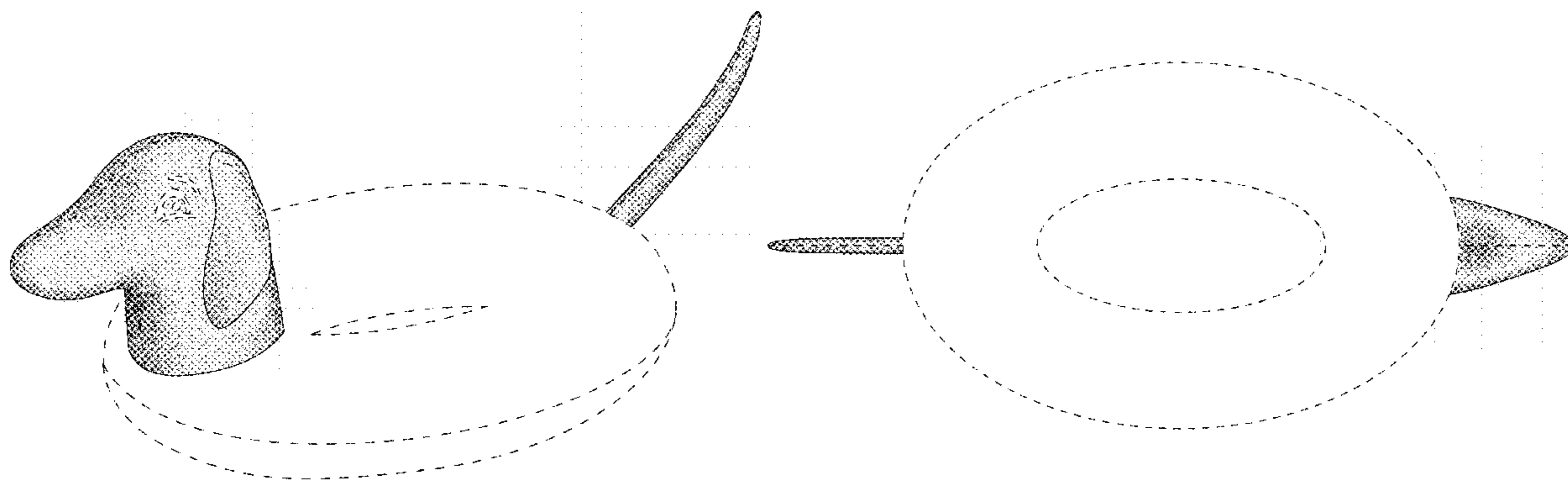
FIG. 3 is a bottom view of the pool float shown in FIG. 1;

FIG. 4 is a left-side view of the pool float shown in FIG. 1, the right-side view being a mirror image of the left-side view;

FIG. 5 is a front view of the pool float shown in FIG. 1; and, FIG. 6 is a rear view of the pool float shown in FIG. 1.

The broken lines depict portions of the pool float that form no part of the claimed design.

1 Claim, 6 Drawing Sheets



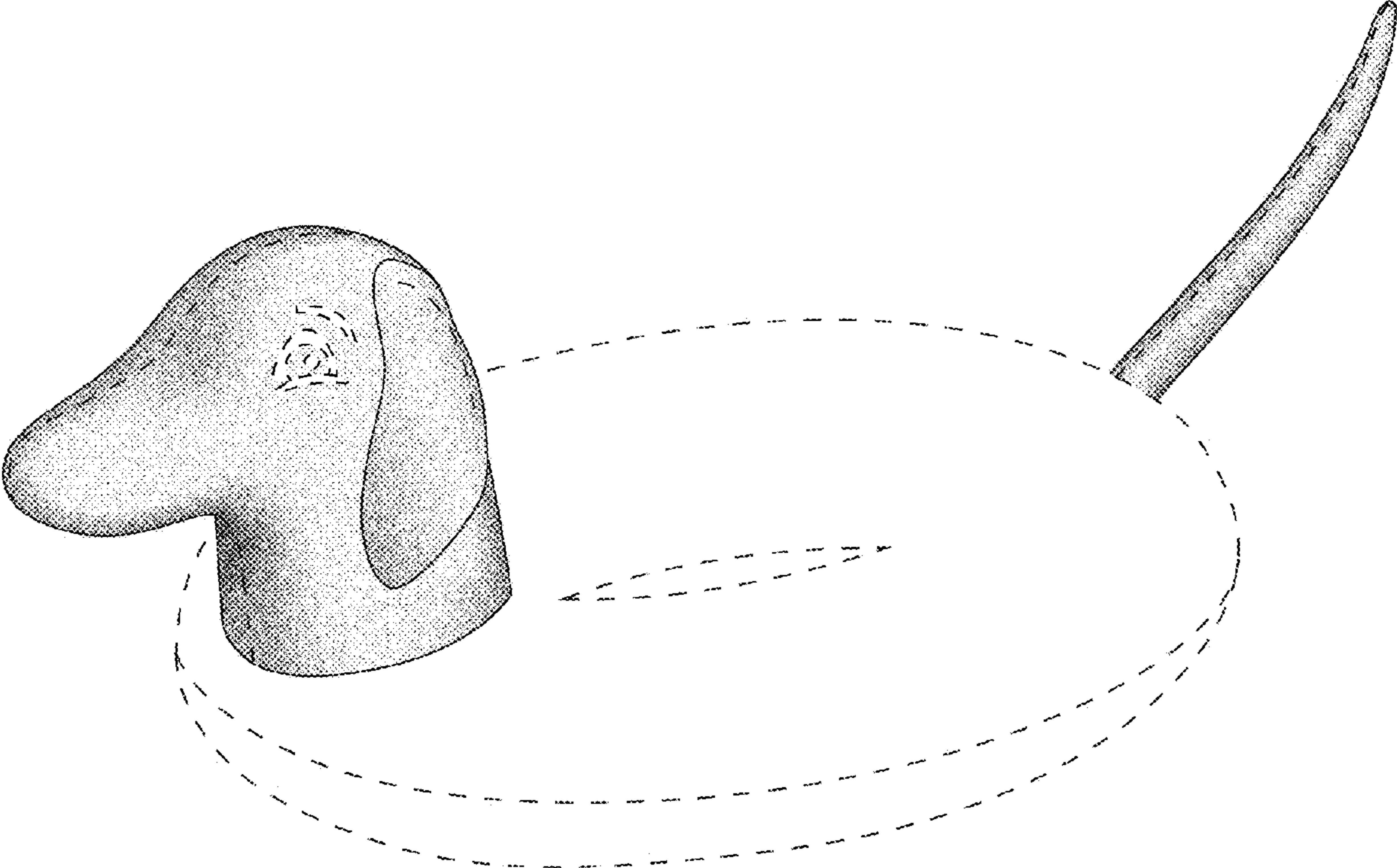


FIG. 1

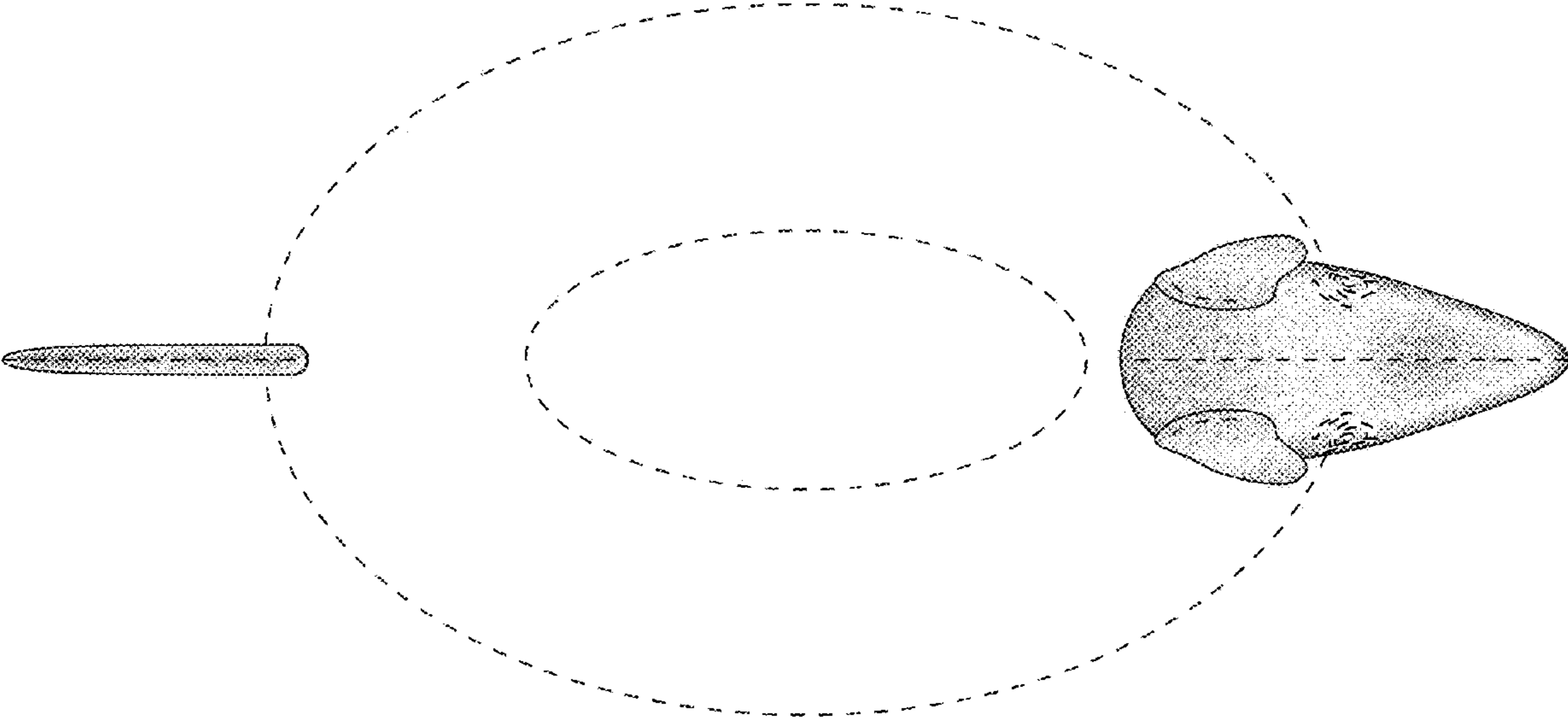


FIG. 2

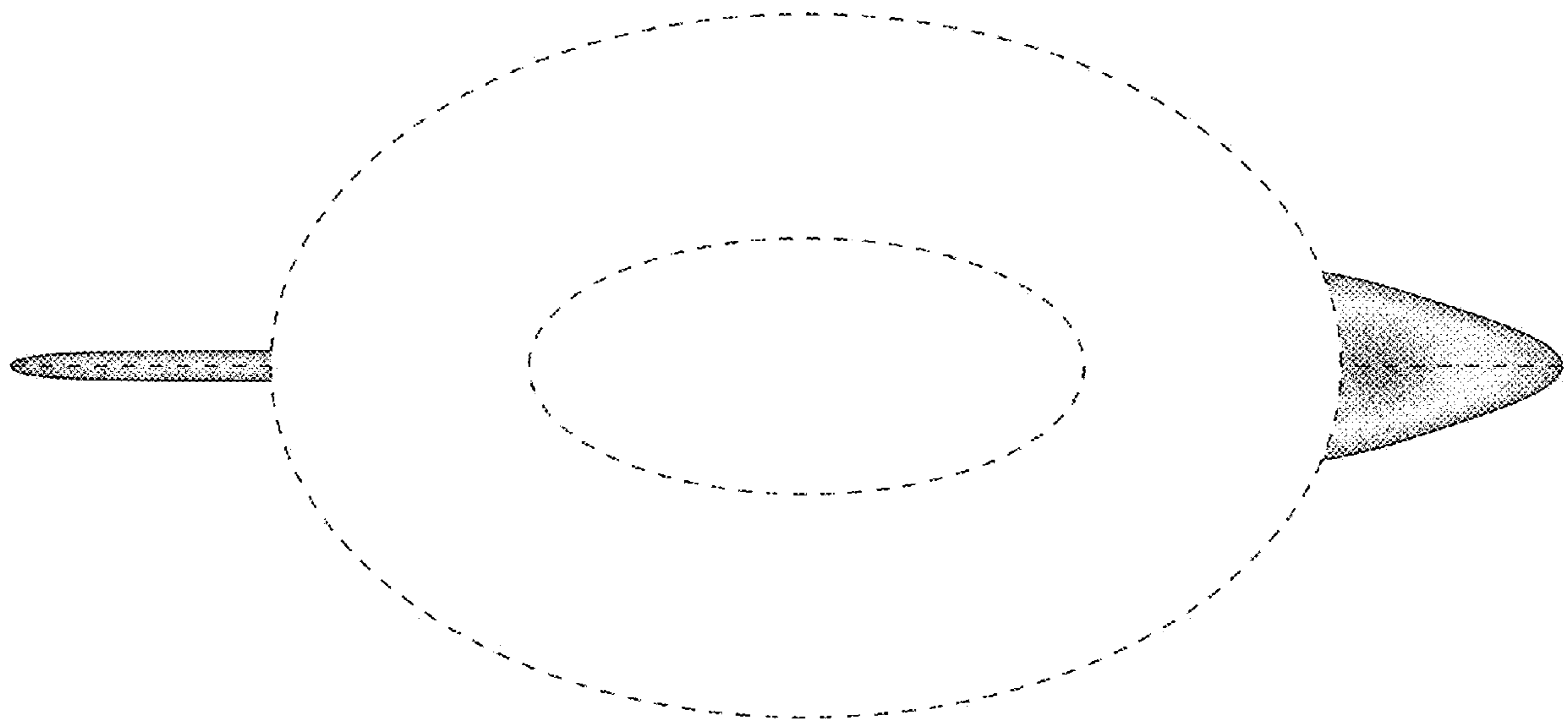


FIG. 3

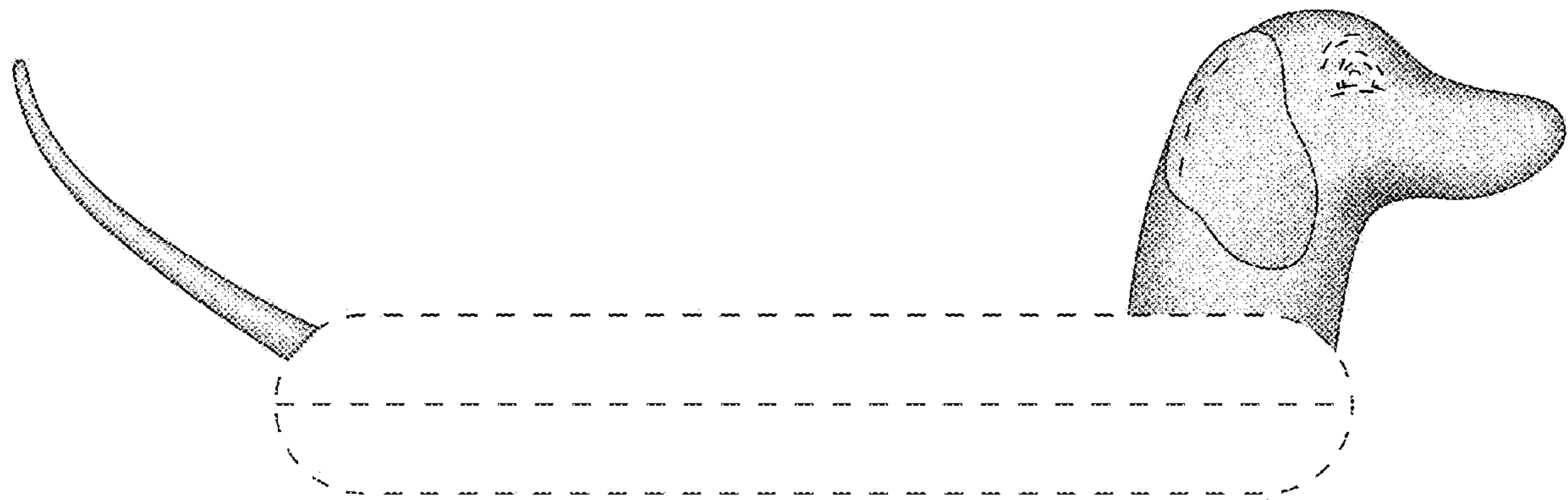


FIG. 4

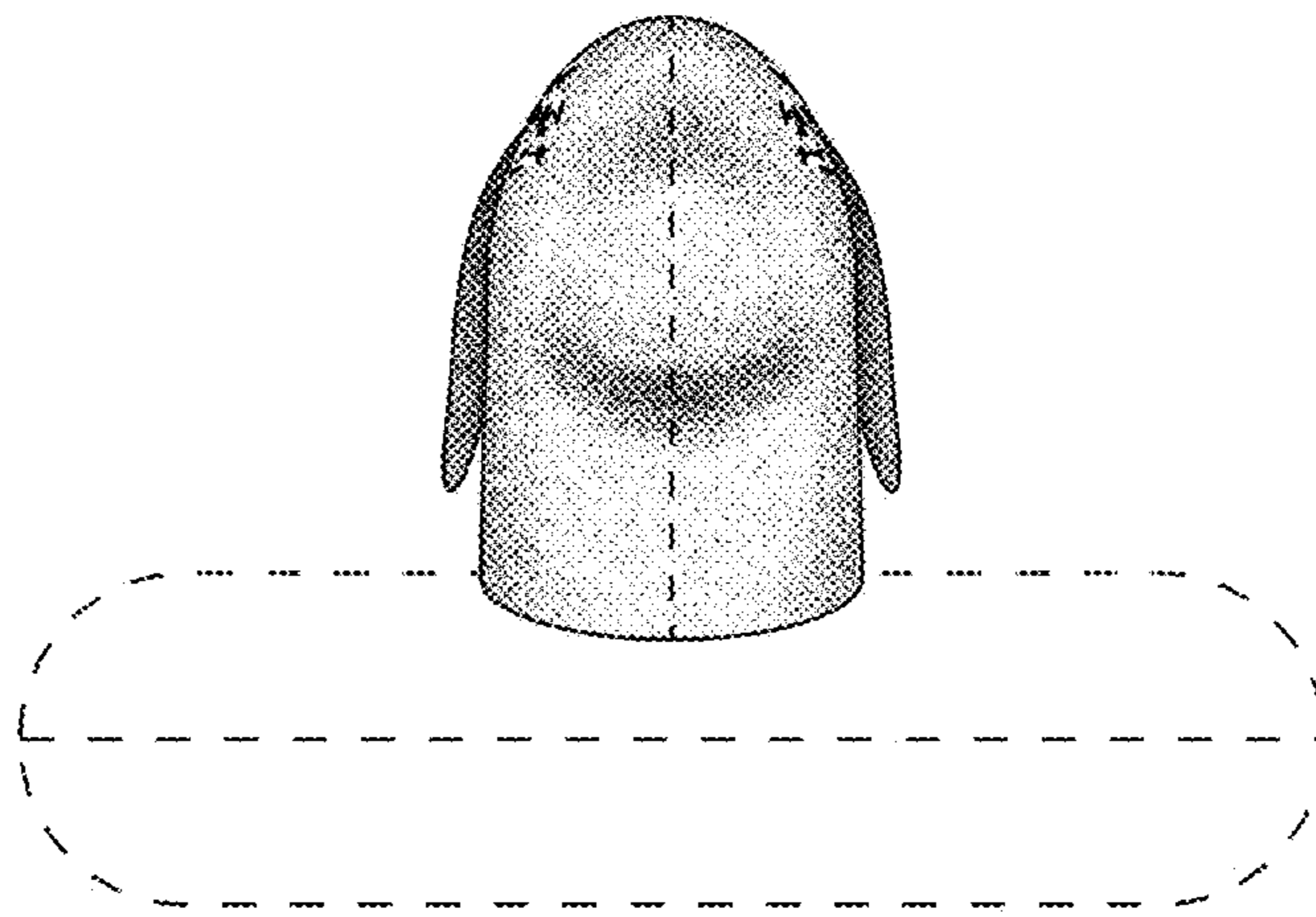


FIG. 5

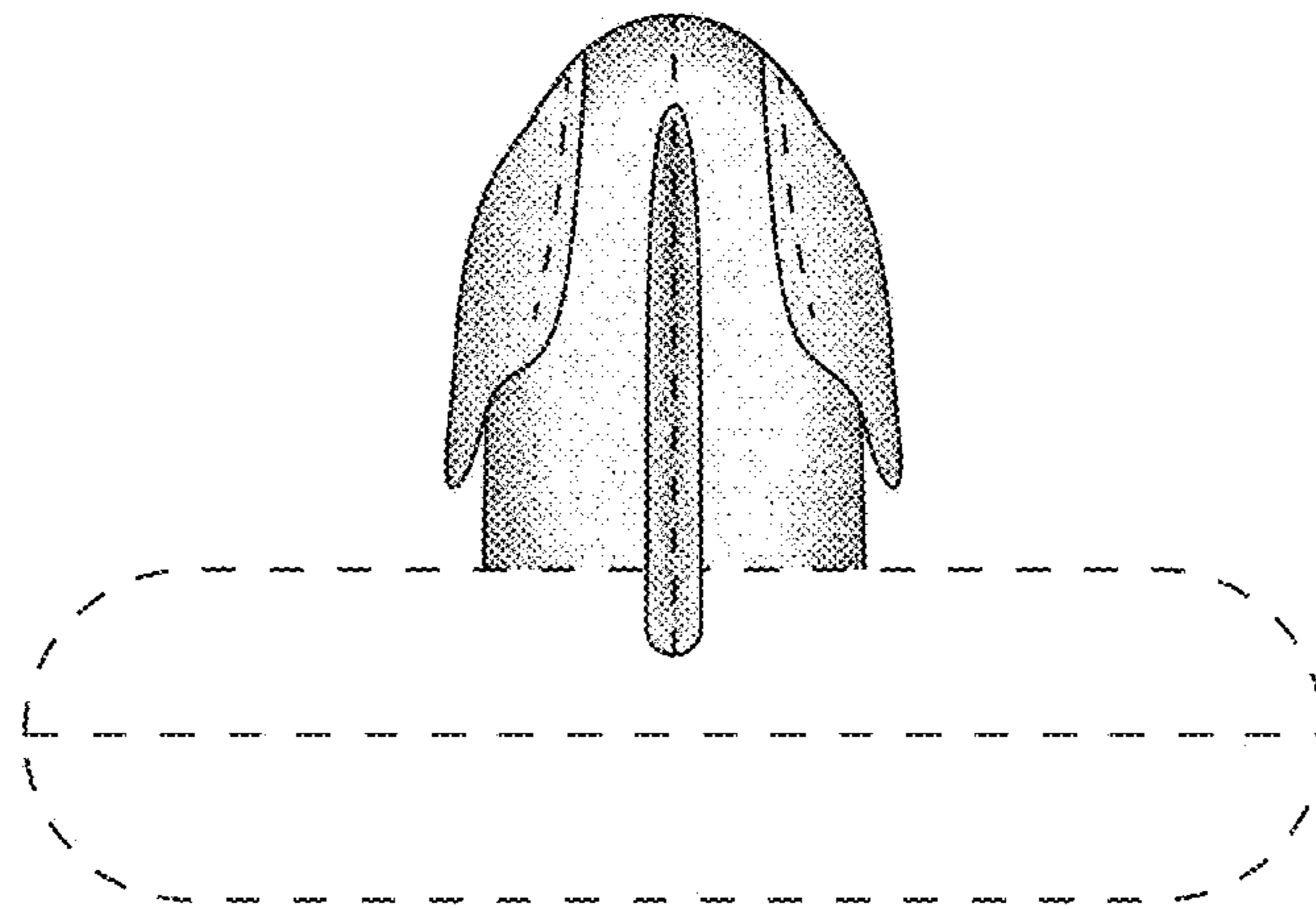


FIG. 6