



US00D910792S

(12) **United States Design Patent** (10) **Patent No.:** **US D910,792 S**
Johnson (45) **Date of Patent:** **** Feb. 16, 2021**

(54) **BASKETBALL COACHING AIDE**
(71) Applicant: **Ronald Johnson**, Long Beach, CA (US)
(72) Inventor: **Ronald Johnson**, Long Beach, CA (US)
(**) Term: **15 Years**
(21) Appl. No.: **29/693,259**
(22) Filed: **May 31, 2019**
(51) **LOC (13) Cl.** **21-02**
(52) **U.S. Cl.**
USPC **D21/781**
(58) **Field of Classification Search**
USPC D21/199, 201, 208, 209, 715, 781;
D15/16, 17, 24; D12/42, 48, 106, 172,
D12/177, 223, 317, 337, 345, 406, 408,
D12/420; D25/41.1, 42, 43, 100;
D29/130; D34/26, 27, 33, 35, 36;
473/447, 448
CPC A63B 69/0071; A63B 2208/0204; A63B
2208/12
See application file for complete search history.

(56) **References Cited**

U.S. PATENT DOCUMENTS

D339,393 S * 9/1993 Allen D21/780
5,485,993 A * 1/1996 Lipsett A63B 69/0071
473/448
D370,242 S * 5/1996 Bright D21/781
D400,621 S * 11/1998 Okerlin, II D21/715
5,890,985 A * 4/1999 Jenney A63B 69/0071
473/447
6,159,111 A * 12/2000 Purcell A63B 69/0071
248/127
D487,910 S * 3/2004 Wine D21/698
D510,112 S * 9/2005 Crook, II D21/698
D562,417 S * 2/2008 Noojin D21/698
D654,115 S * 2/2012 O'Con D20/29
D739,903 S * 9/2015 McDonald D21/698
9,421,445 B2 * 8/2016 Heiling A63B 69/0071

9,757,637 B1 * 9/2017 Glaser A63B 69/34
10,500,465 B1 * 12/2019 Panaia A63B 69/0071
D879,226 S * 3/2020 Parham D21/781
D879,892 S * 3/2020 Elpers D21/701
2006/0009320 A1 * 1/2006 Bibby A63B 43/002
473/596

(Continued)

OTHER PUBLICATIONS

Power Dribble Basketball Dribble Box Trainer, https://www.anthem-sports.com/power-dribble-basketball-dribble-box-trainer.html?gclid=Cj0KCQjw_r3nBRDxARIsAJlJleF7c3Jm7mlFuBpoTz_B2w-4r1HOBAXf9GW6ekrRNPYXJiHEkAumCGgaAmDAEALw_wcB.

(Continued)

Primary Examiner — Sandra Snapp
Assistant Examiner — Mehri Bajoul
(74) *Attorney, Agent, or Firm* — Gorman IP Law, APC

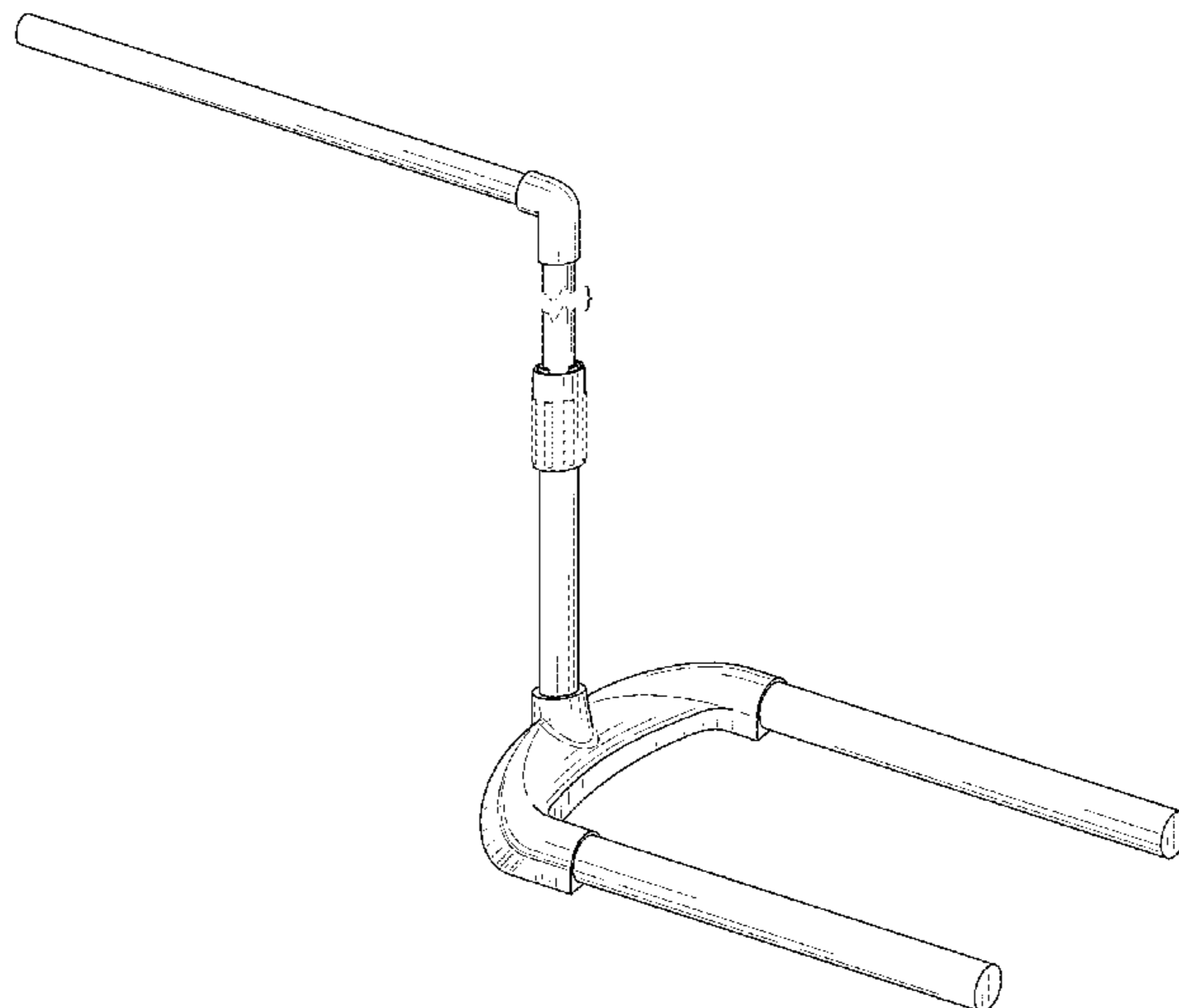
(57) **CLAIM**

The ornamental design for a basketball coaching aide, as shown and described.

DESCRIPTION

FIG. 1 is a perspective view of a basketball coaching aide showing my new design; FIG. 2 is the back elevation view thereof; FIG. 3 is the front elevation view thereof; FIG. 4 is the left elevation view thereof; FIG. 5 is the right elevation view thereof; FIG. 6 is the top plan view thereof; and, FIG. 7 is the bottom plan view thereof. The evenly dashed broken lines shown in the drawings depict portions of the basketball coaching aide that form no part of the claimed design. FIGS. 1-5 show the basketball coaching aide with a symbolic break in its height. The appearance of any portion of the article between the break lines forms no part of the claimed design.

1 Claim, 5 Drawing Sheets



(56)

References Cited

U.S. PATENT DOCUMENTS

2015/0328518 A1* 11/2015 Sagle A63B 69/0057
473/447

OTHER PUBLICATIONS

Powerhandz Powerarch, https://www.google.com/search?q=powerarch+grande&rtz=1C1CHBF_enUS800US800&tbm=isch&source=iu&ictx=1&fir=4gTLkdPATXi2LM%253A%252Co0wvBTdpgdI78M%252C_&vet=1&usg=A14_kS4WmmFrE_lp1gMcPVs78ExoEKCnw&sa=X&ved=2ahUKEwIU9tbXIsTiAhVVpZ4KHYYhBBi8Q9QEWAnoECAkQCA#imgrc=4gTLkdPATXi2LM.

SKLZ Dribble Stick, https://www.eastbay.com/product/~/STX000.html?SID=7726&inceptor=1&cm_mmc=paid%20search-_-google-_-g-_-PLA-_-DPA-_-P-_-Prospecting-_-_-1411656128-_-_-73440375544-_-PLA-_-stx000-_-_-_-&gclid=CjOKCQjw_r3nBRDxARIsAJljeF1-4DLtuiuohthsUt89fTtUXOJLGFRSbcsID3V06IDIJwEYAgOhcacaAr0nEALw_woB&gclsrc=aw.ds, Posted 2015.

* cited by examiner

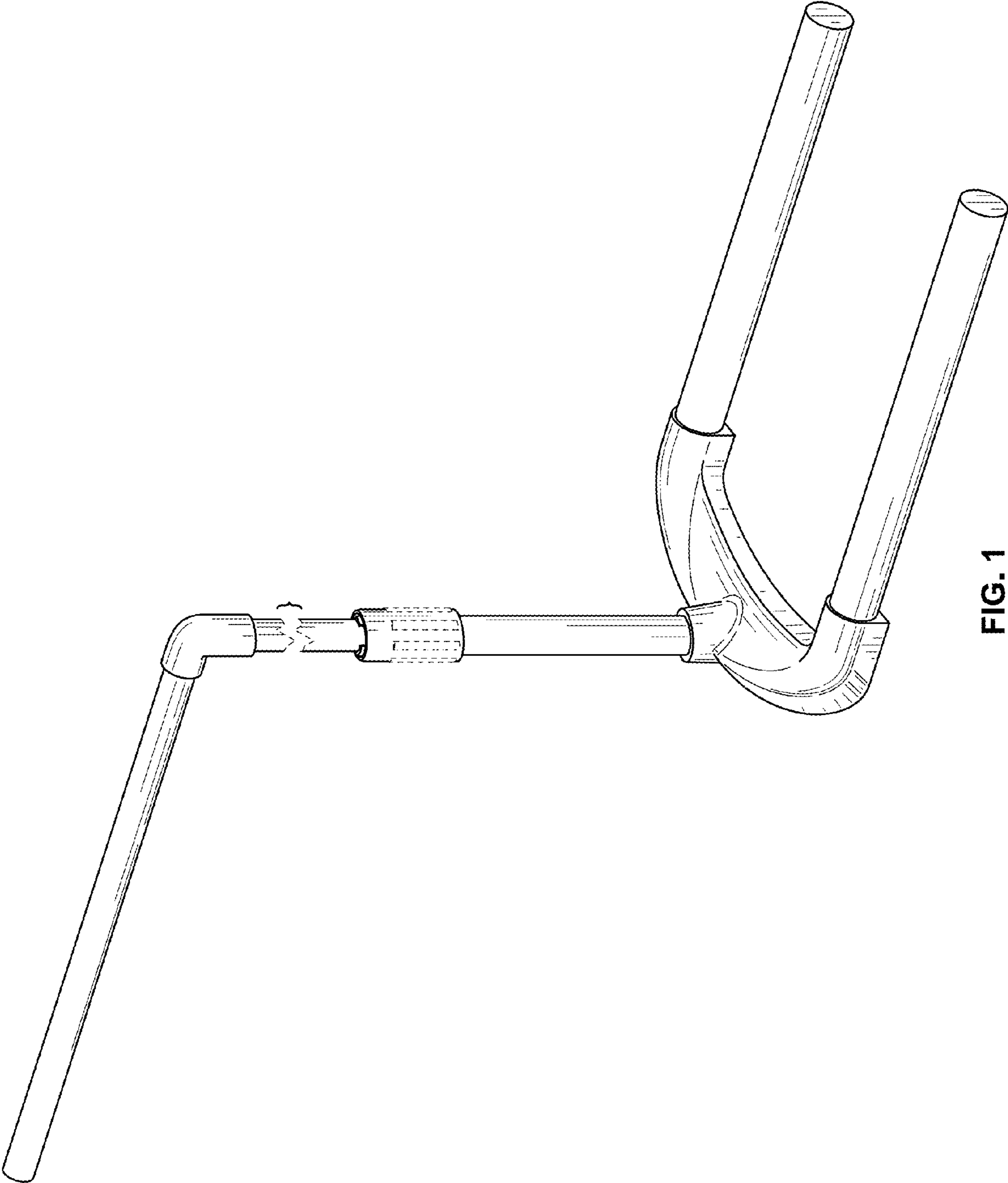


FIG. 1

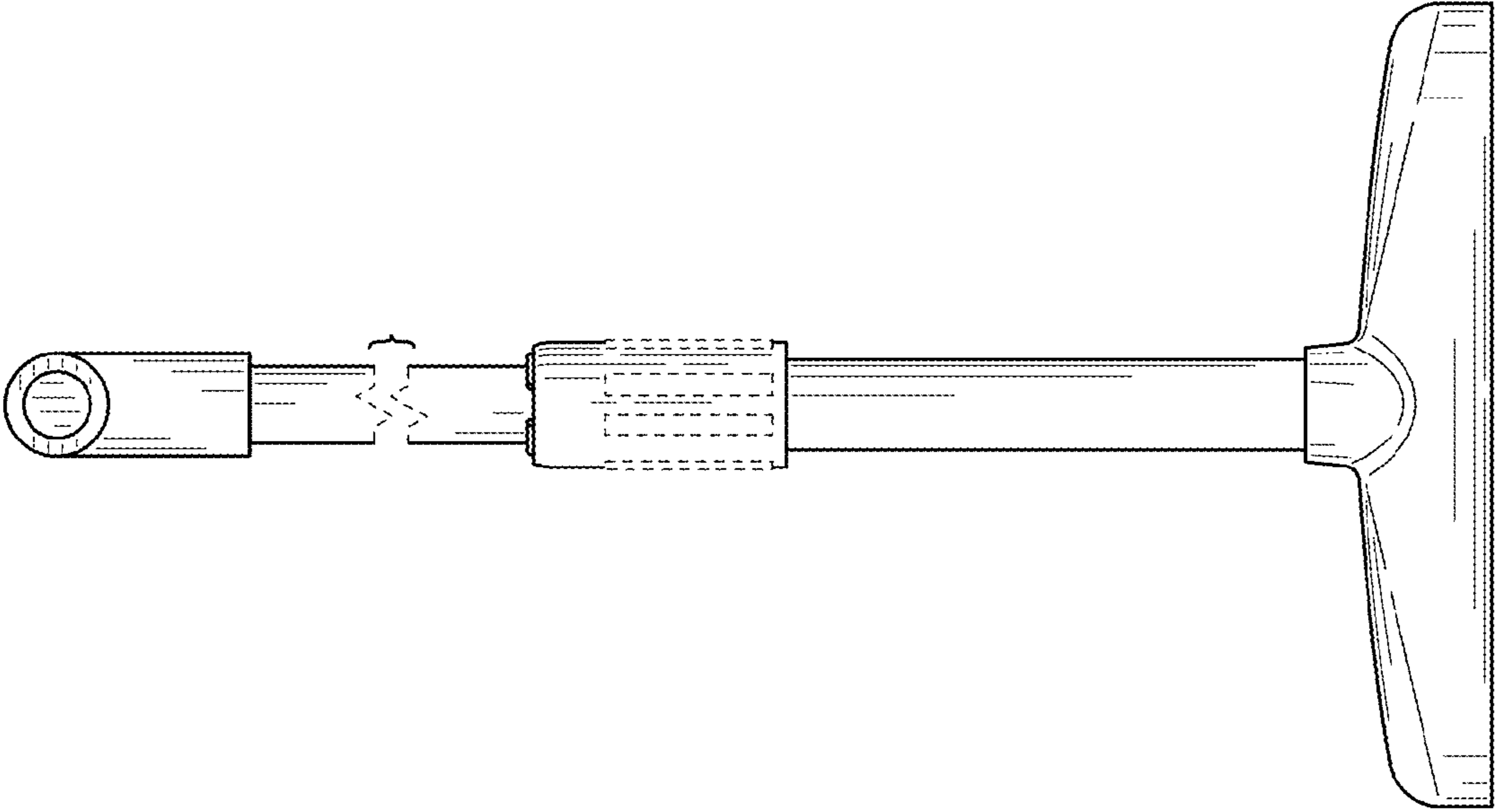


FIG. 3

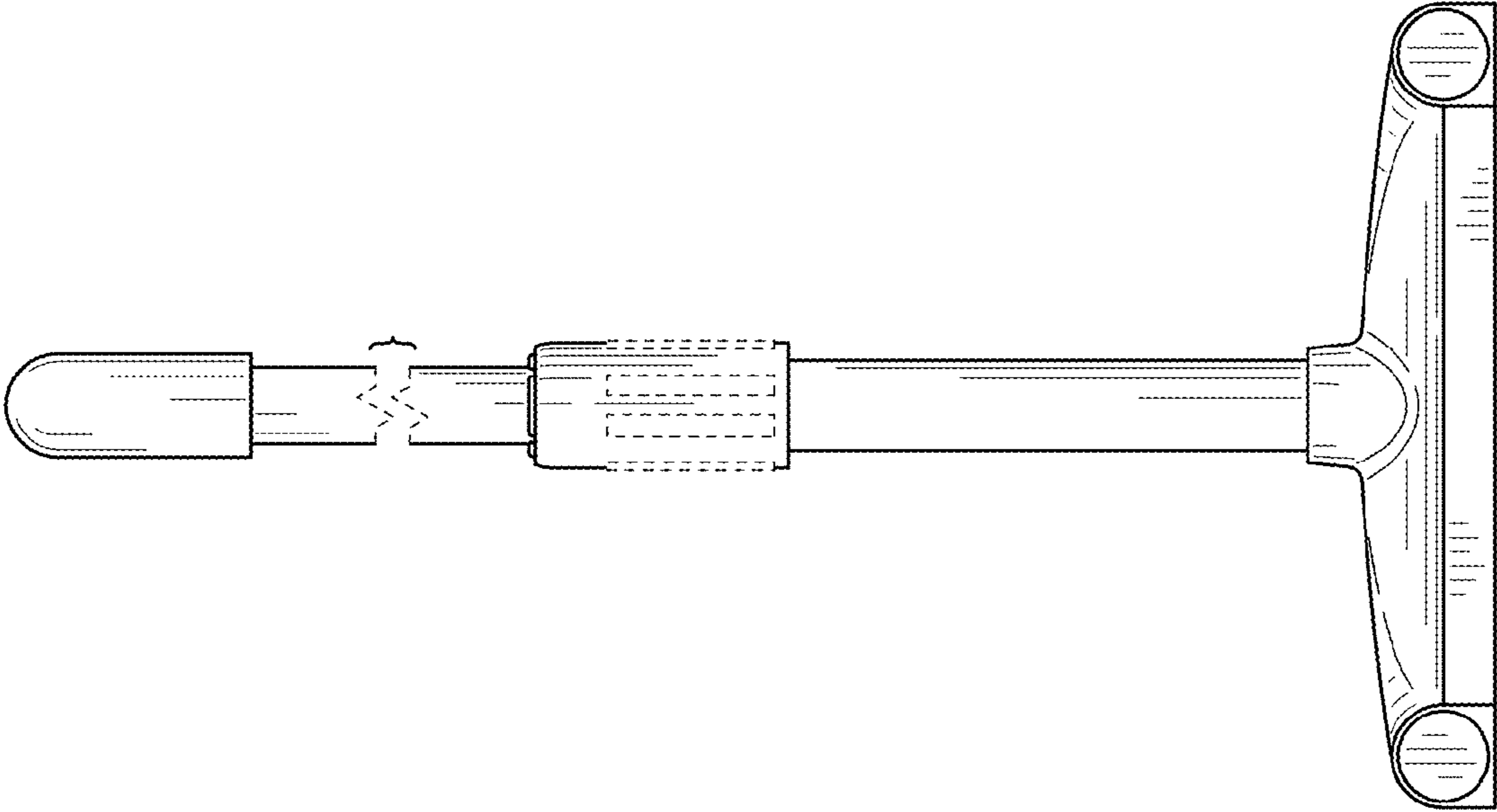


FIG. 2

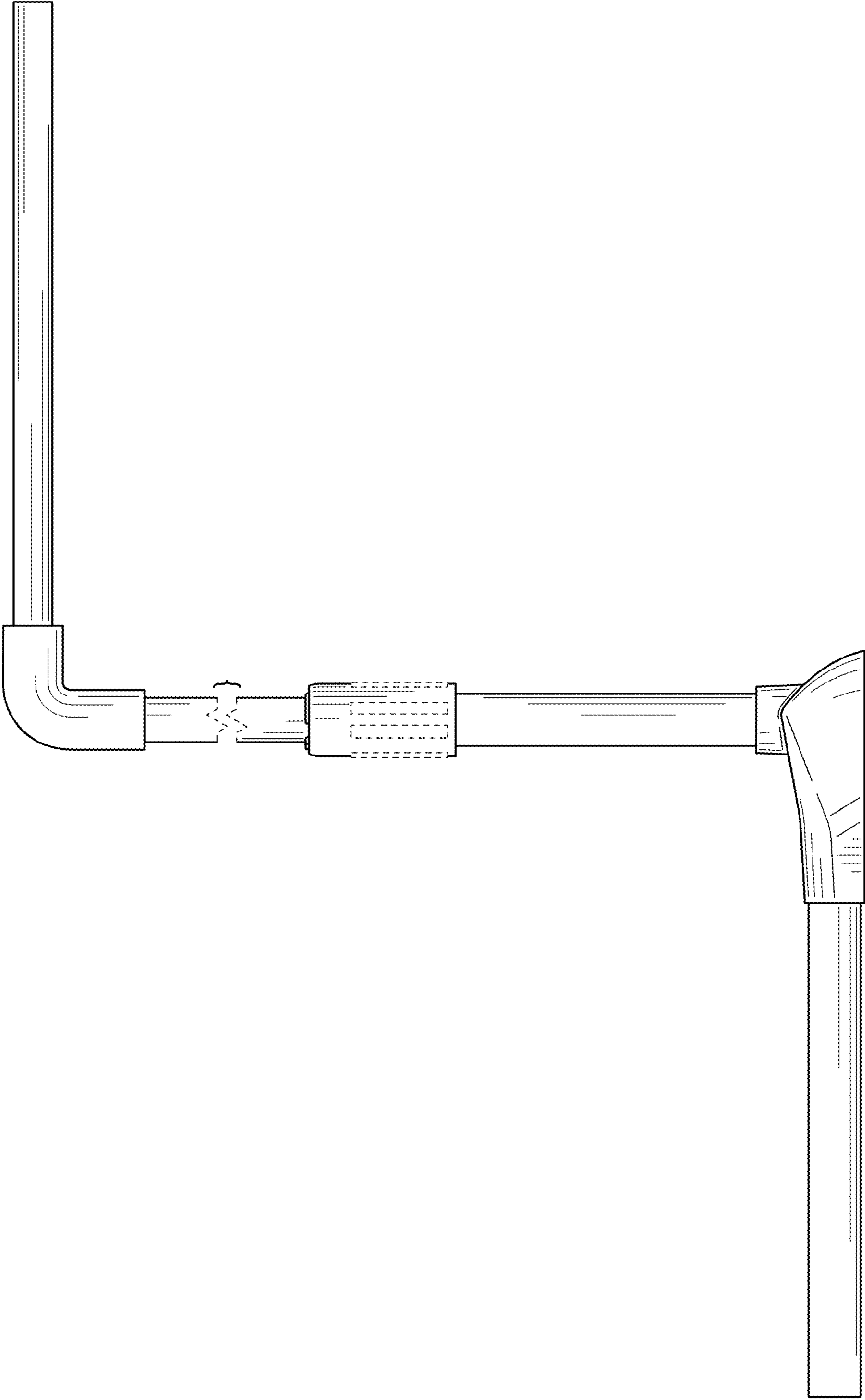


FIG. 4

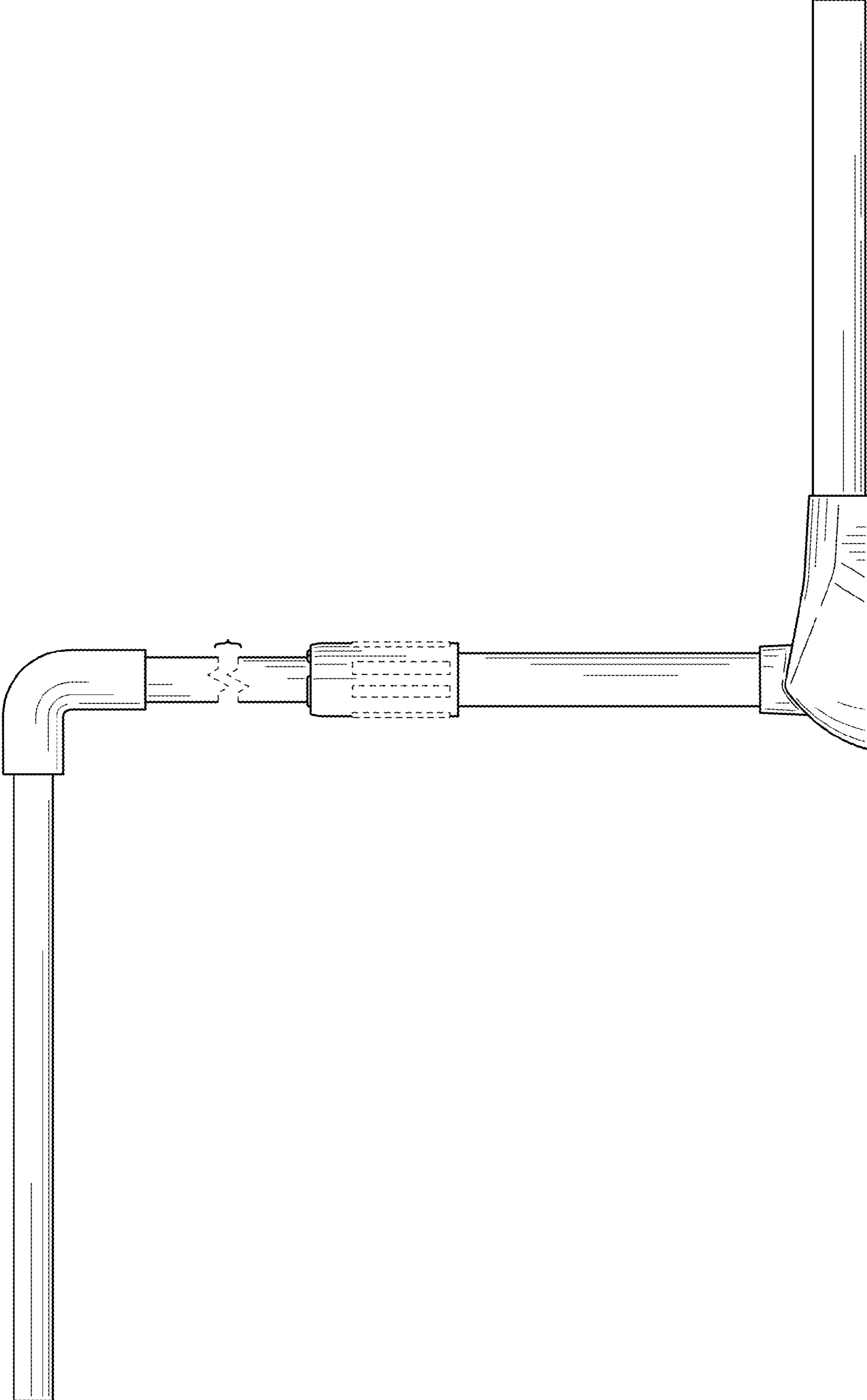


FIG. 5

