



US00D910791S

(12) **United States Design Patent** (10) **Patent No.:** **US D910,791 S**
Xu et al. (45) **Date of Patent:** **** Feb. 16, 2021**

(54) **HOVERBOARD**

(56) **References Cited**

(71) Applicant: **Zhejiang Taotao Vehicles Co., Ltd.**,
Lishui (CN)

U.S. PATENT DOCUMENTS

(72) Inventors: **Wei Xu**, Wulian County, Shandong
Province (CN); **Haibo Zhu**, Binhai
County, Jiangsu Province (CN);
Jianbing Wu, Chibi (CN); **Hongxia
Zhu**, Lishui (CN)

D739,906 S * 9/2015 Chen D21/760
D787,982 S * 5/2017 Khamenian D21/763
D841,516 S * 2/2019 Khamenian D12/1
2017/0088212 A1* 3/2017 Edney B62K 23/08

(73) Assignee: **Zhejiang Taotao Vehicles Co., Ltd.**,
Lishui (CN)

* cited by examiner

Primary Examiner — Cynthia M. Chin

(**) Term: **15 Years**

(74) *Attorney, Agent, or Firm* — Bayramoglu Law Offices
LLC

(21) Appl. No.: **29/689,047**

(57) **CLAIM**

(22) Filed: **Apr. 26, 2019**

The ornamental design for a hoverboard, as shown and
described.

(30) **Foreign Application Priority Data**

DESCRIPTION

Oct. 29, 2018 (CN) 2018 3 0606573

(51) **LOC (13) Cl.** **21-02**

(52) **U.S. Cl.**
USPC **D21/763**

(58) **Field of Classification Search**
USPC D21/419, 421, 423, 426, 760, 765, 766,
D21/769, 771, 776, 803; D12/1
CPC A63C 17/01; A63C 17/12; A63C 2203/00;
A63C 2203/011; A63C 2203/012; A63C
2203/013; A63C 2203/40; A63C 2203/52;
B62D 51/02; B62K 2202/00; B62K
2207/00; B62K 2207/02; B62K 2207/04

FIG. 1 is a first perspective view of hoverboard showing our
new design;

FIG. 2 is a second perspective view thereof

FIG. 3 is a front elevation view thereof;

FIG. 4 is a rear elevation view thereof;

FIG. 5 is a left side elevation view thereof;

FIG. 6 is a right side elevation view thereof;

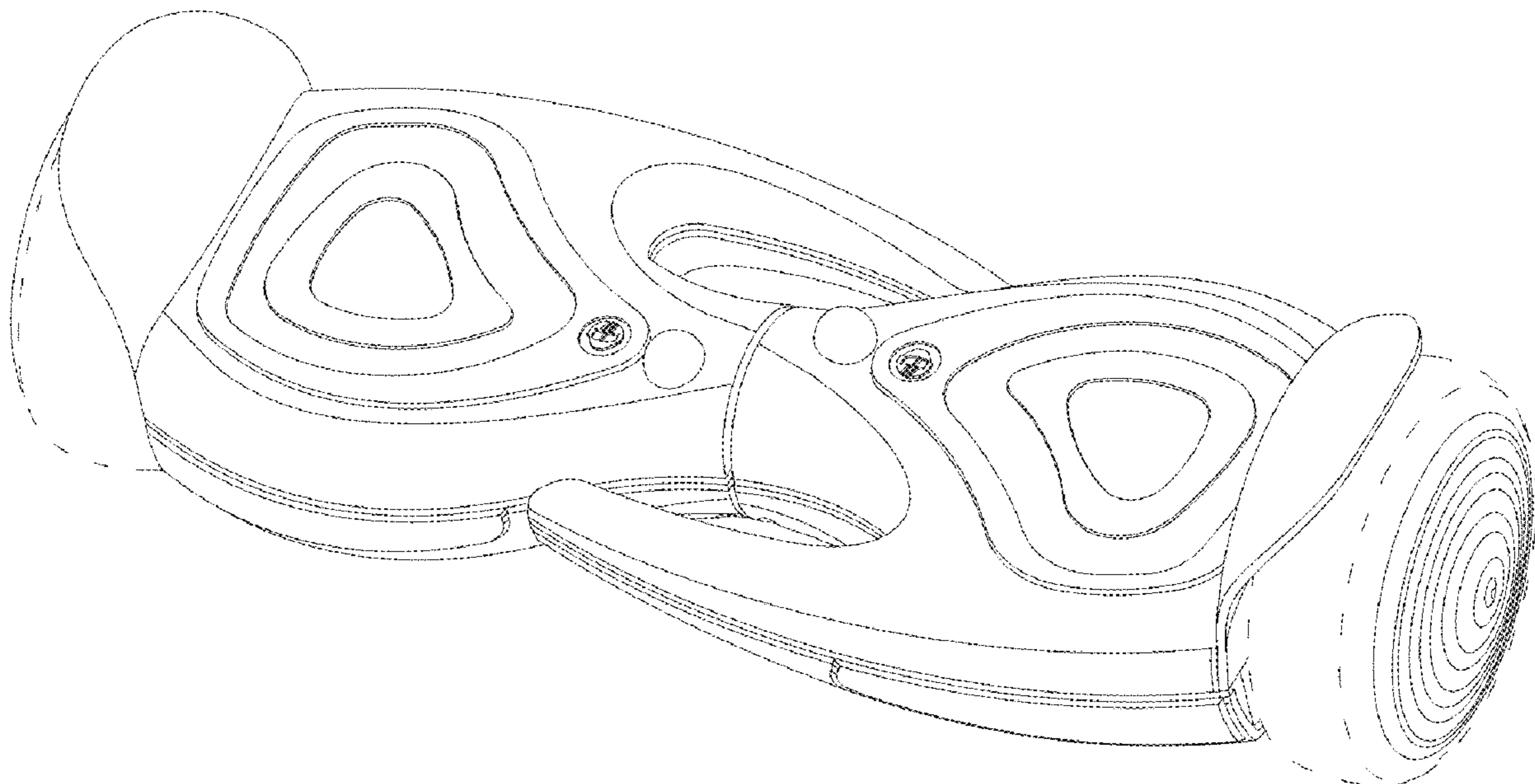
FIG. 7 is a top plan view thereof; and,

FIG. 8 is a bottom plan view thereof.

The broken lines are for the purpose of illustrating portions
of the article that form no part of the claimed design.

See application file for complete search history.

1 Claim, 8 Drawing Sheets



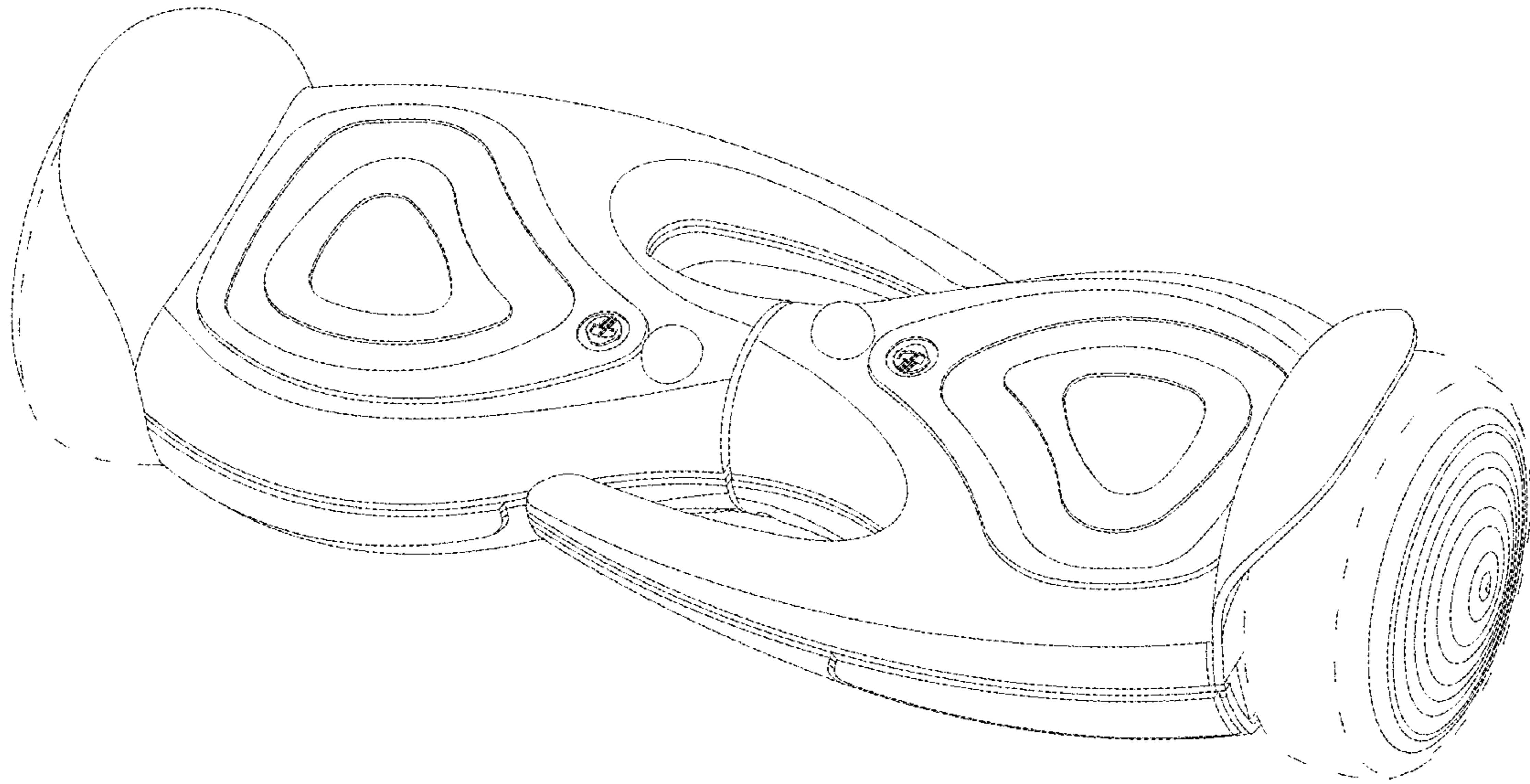


FIG. 1

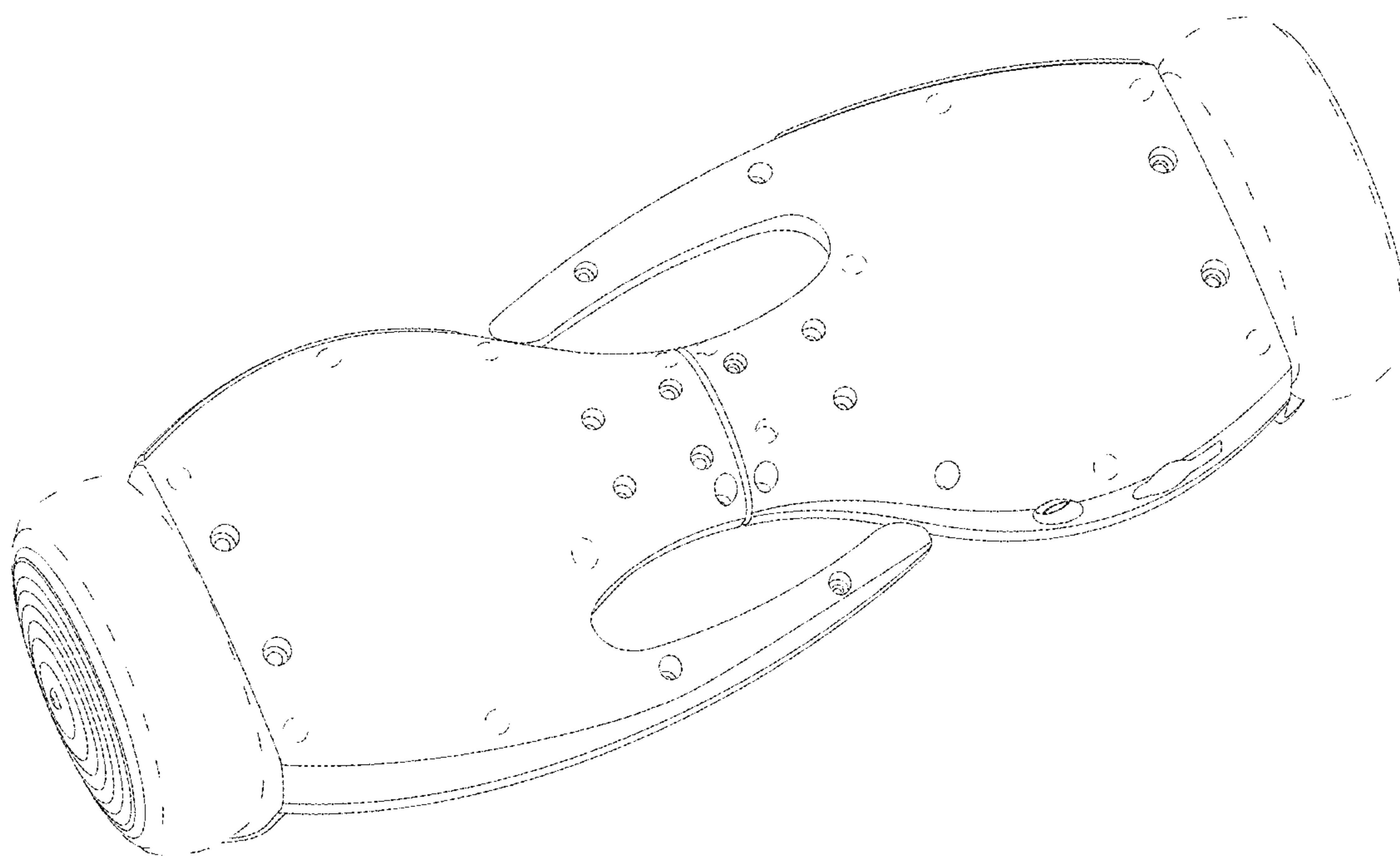


FIG. 2

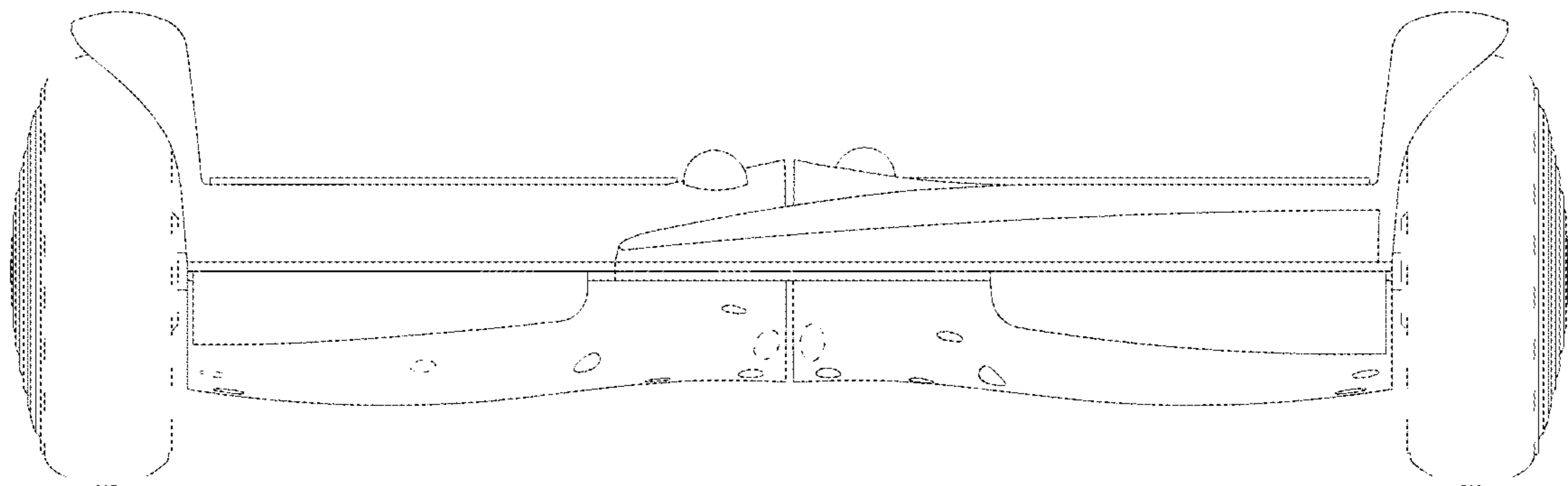


FIG. 3

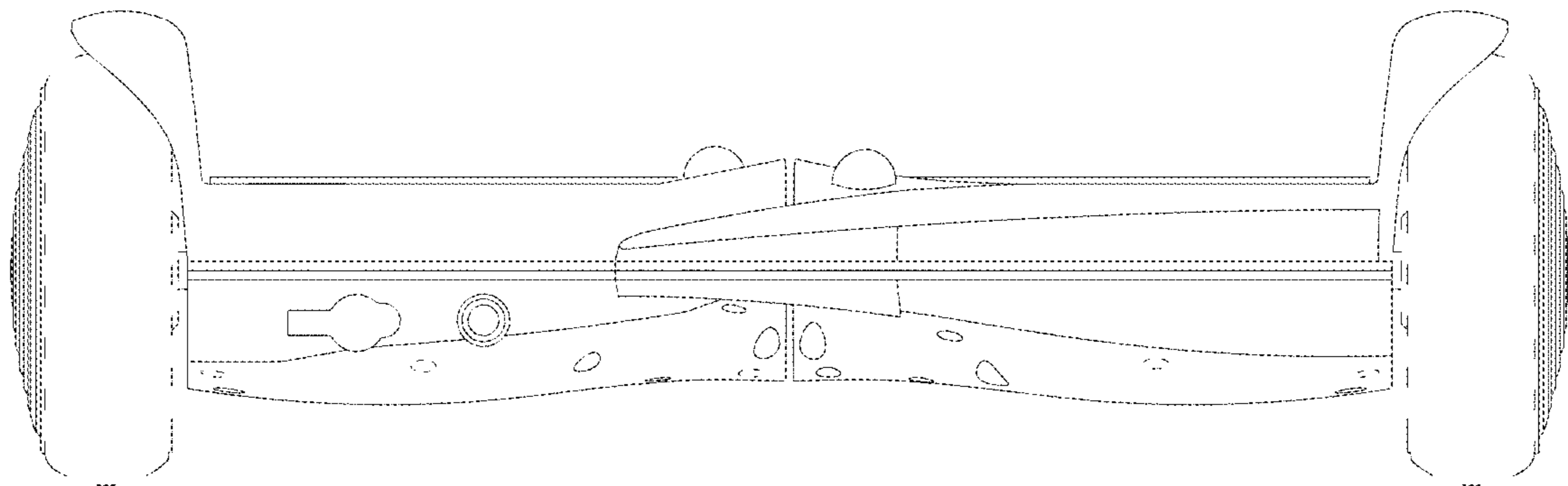


FIG. 4

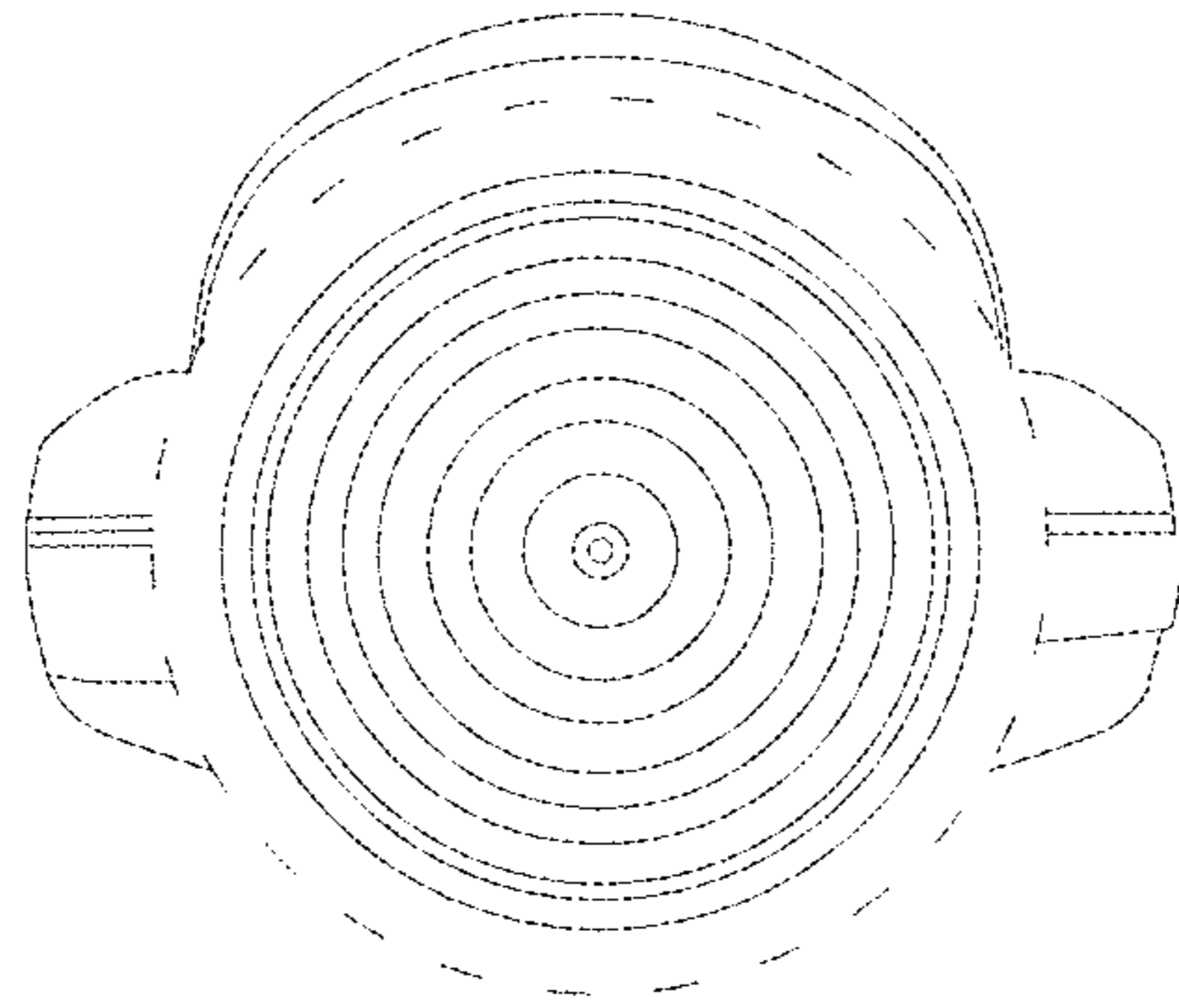


FIG. 5

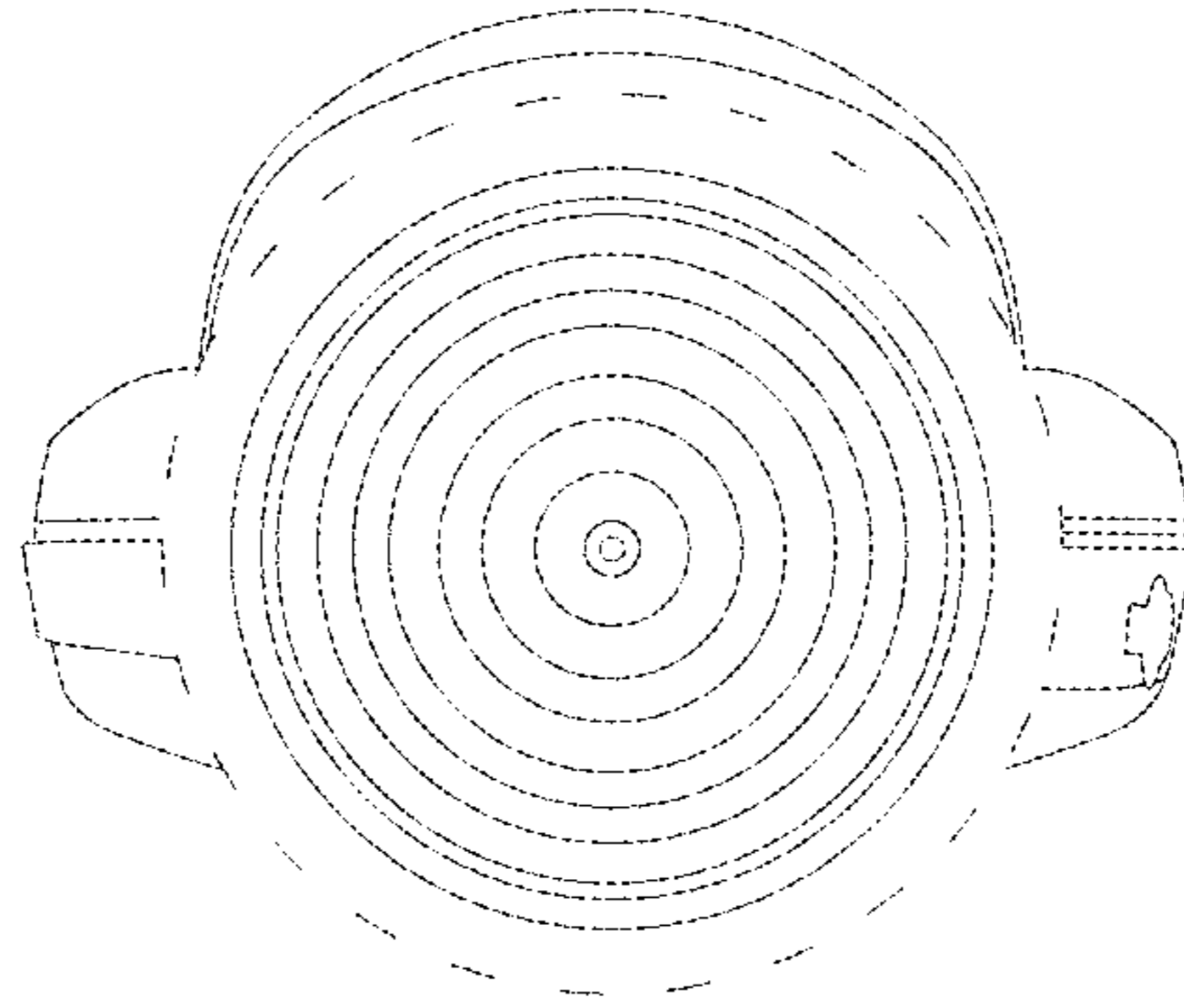


FIG. 6

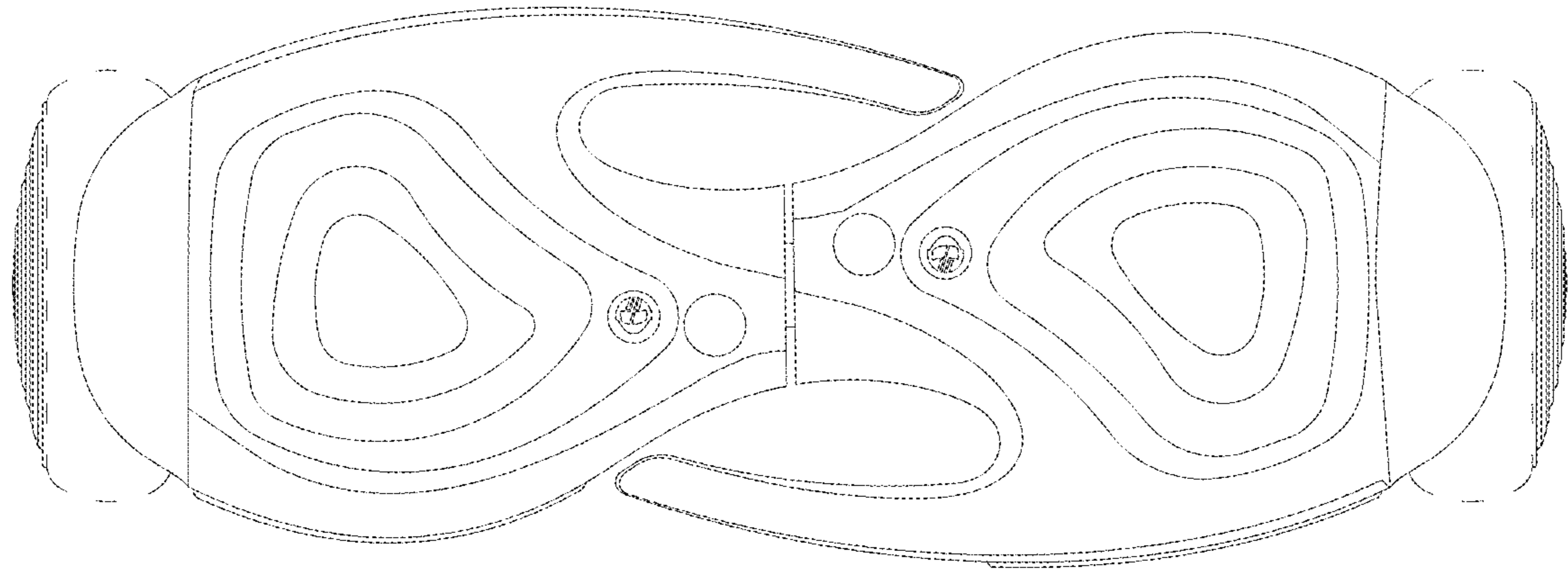


FIG. 7

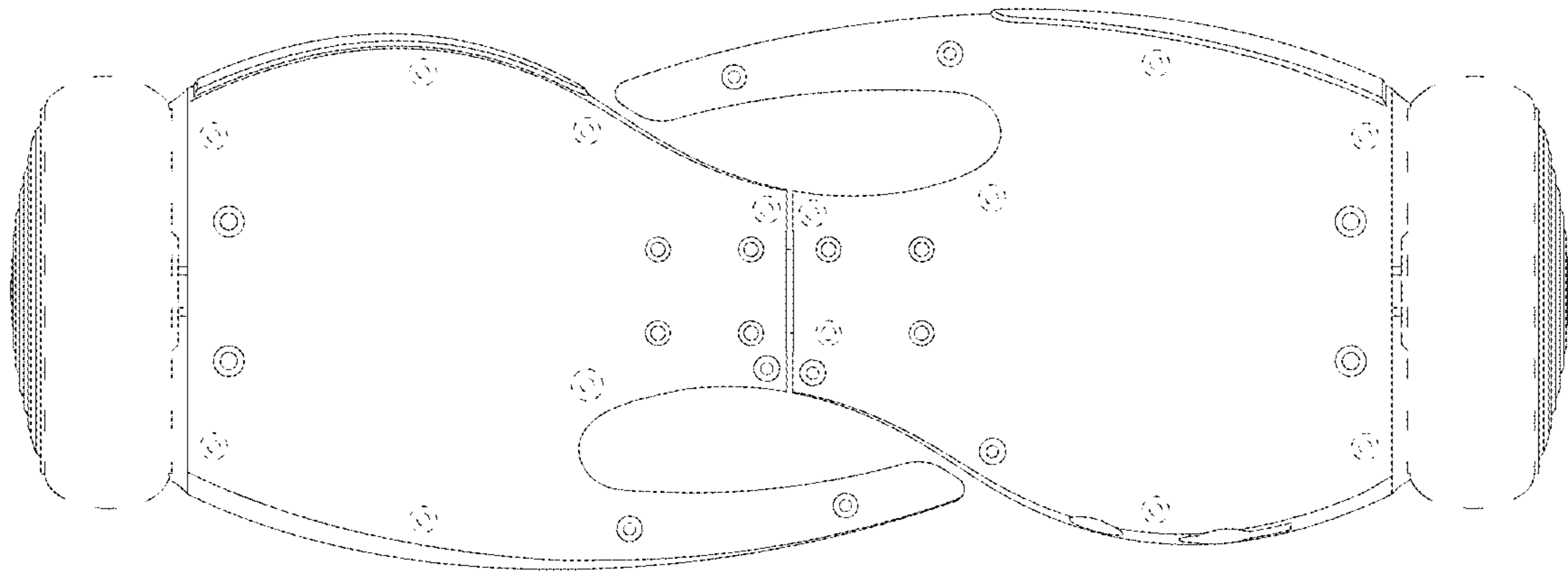


FIG. 8