



US00D910788S

(12) **United States Design Patent** (10) **Patent No.:** **US D910,788 S**
Gong (45) **Date of Patent:** **** Feb. 16, 2021**

(54) **RACKET**
(71) Applicant: **Minchong Gong**, Guangdong (CN)
(72) Inventor: **Minchong Gong**, Guangdong (CN)
(**) Term: **15 Years**
(21) Appl. No.: **29/698,945**
(22) Filed: **Jul. 22, 2019**
(30) **Foreign Application Priority Data**
Jul. 6, 2019 (CN) 201930357845.X
(51) **LOC (13) Cl.** **21-02**
(52) **U.S. Cl.**
USPC **D21/729**
(58) **Field of Classification Search**
USPC D21/729-732; D3/1-4
CPC A63B 59/40; A63B 59/42; A63B 59/45;
A63B 59/20; A63B 51/00; A63B
2102/16; A63B 60/00; A63B 60/46; A63B
2102/00; A63B 2102/10; A63B 2102/12;
A63B 2102/26; A63B 2102/28; A63B
2102/30; A63B 2102/38
See application file for complete search history.

2,328,366 A * 8/1943 Timmermann A63B 59/40
473/529
D240,055 S * 5/1976 Marks D21/732
D246,263 S * 11/1977 Spivey, II D21/732
D251,514 S * 4/1979 Spivey, II D21/732
D259,800 S * 7/1981 Gearhart, II D21/731
4,379,554 A * 4/1983 Schuyler A63B 59/40
473/530
D283,240 S * 4/1986 Melby D21/730
D285,682 S * 9/1986 Lee D14/143
D294,639 S * 3/1988 Croll D21/731
D307,930 S * 5/1990 Sokol D21/731
D316,125 S * 4/1991 Poulakis D21/731
D339,394 S * 9/1993 Richards D21/729
D359,780 S * 6/1995 Sokol D21/731
D501,521 S * 2/2005 Reynolds D21/731
D539,369 S * 3/2007 Makowsky D21/729
D591,805 S * 5/2009 Harms D21/729
D620,061 S * 7/2010 Morrison D21/731
D620,245 S * 7/2010 Harris D3/1
D836,736 S * 12/2018 Kowalke D21/729
D846,674 S * 4/2019 Yan D21/756

(Continued)

Primary Examiner — Mitchell I. Siegel
(74) *Attorney, Agent, or Firm* — Muncy, Geissler, Olds & Lowe, P.C.

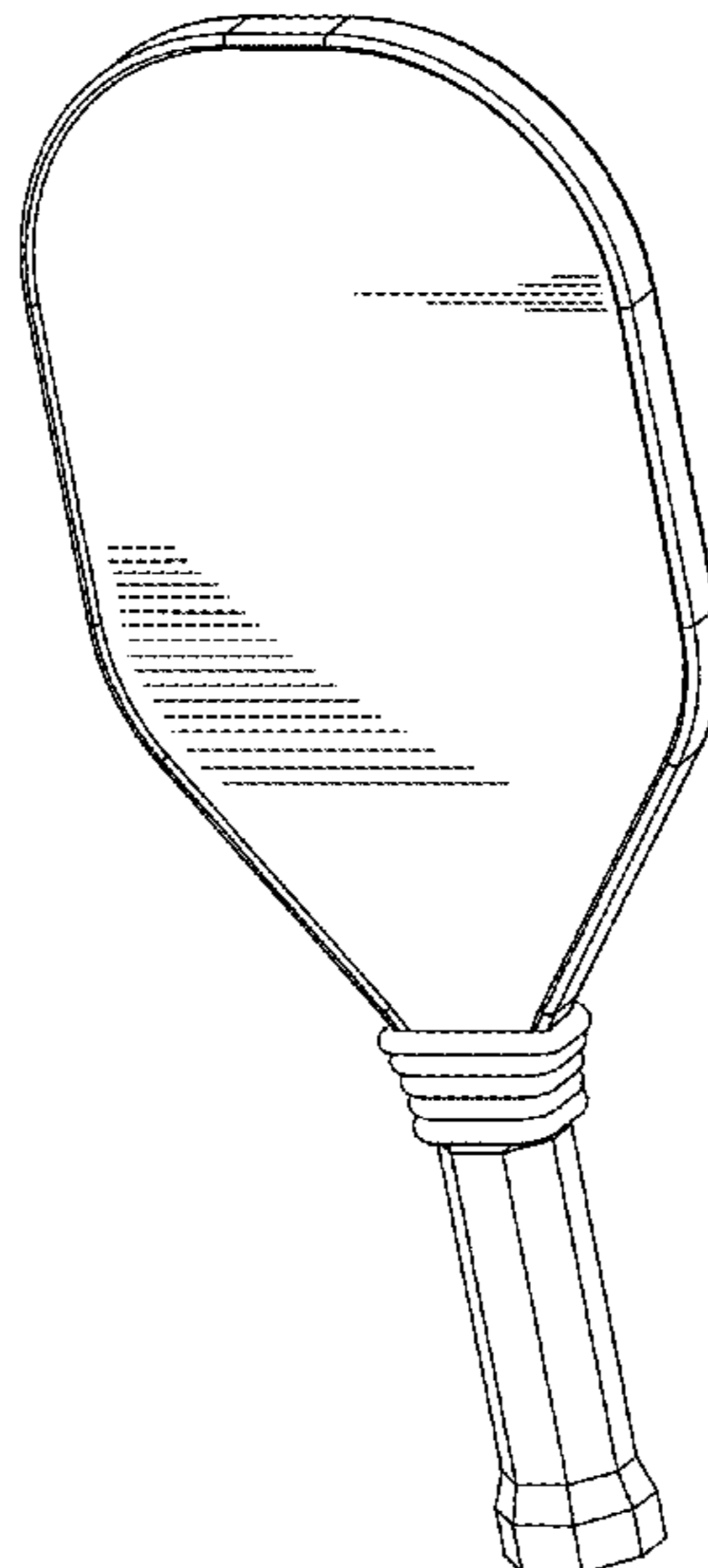
(57) **CLAIM**
The ornamental design for a racket, as shown and described.

(56) **References Cited**
U.S. PATENT DOCUMENTS
1,536,255 A * 5/1925 Beal A63B 60/06
473/530
1,961,473 A * 6/1934 Baltzley A63B 60/08
473/529
1,986,154 A * 1/1935 Marks A63B 59/40
473/527
D103,243 S * 2/1937 Magnus D21/731
2,293,312 A * 8/1942 Sewell A63B 60/24
473/529
2,311,546 A * 2/1943 Hurt A63B 60/10
473/529

DESCRIPTION

FIG. 1 is a front elevational view of a racket showing my new design;
FIG. 2 is a rear elevational view thereof;
FIG. 3 is a left side view thereof;
FIG. 4 is a right side view thereof;
FIG. 5 is a top plan view thereof;
FIG. 6 is a bottom plan view thereof; and,
FIG. 7 is a perspective view thereof.

1 Claim, 7 Drawing Sheets



(56)

References Cited

U.S. PATENT DOCUMENTS

D847,283	S *	4/2019	Yan	D21/753
2016/0107053	A1 *	4/2016	Pree	A63B 59/42
					473/529
2016/0250533	A1 *	9/2016	O'Rourke	A63B 59/42
					473/527
2017/0021247	A1 *	1/2017	Marvin	A63B 59/42
2017/0021248	A1 *	1/2017	Marvin	A63B 59/42
2017/0136325	A1 *	5/2017	Fox	A63B 60/54
2018/0104555	A1 *	4/2018	Taylor	A63B 59/45

* cited by examiner

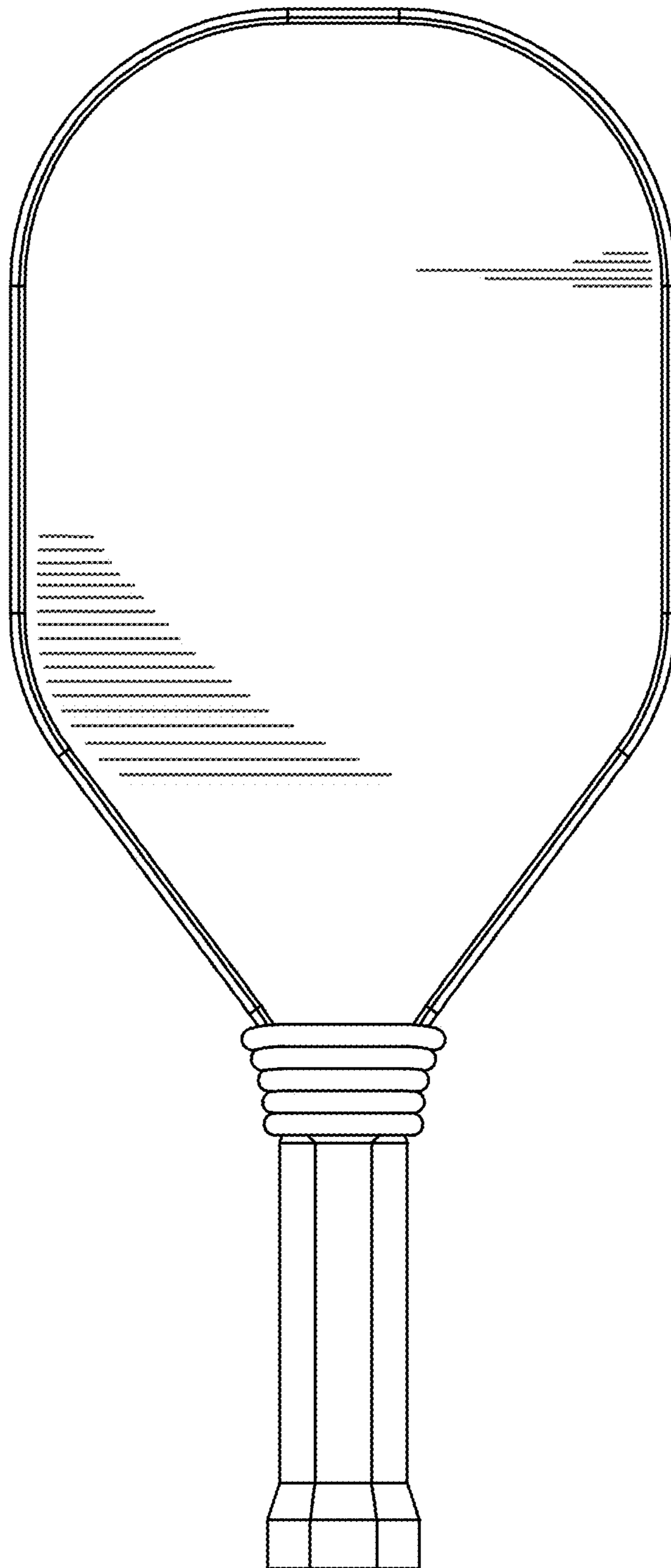


FIG. 1

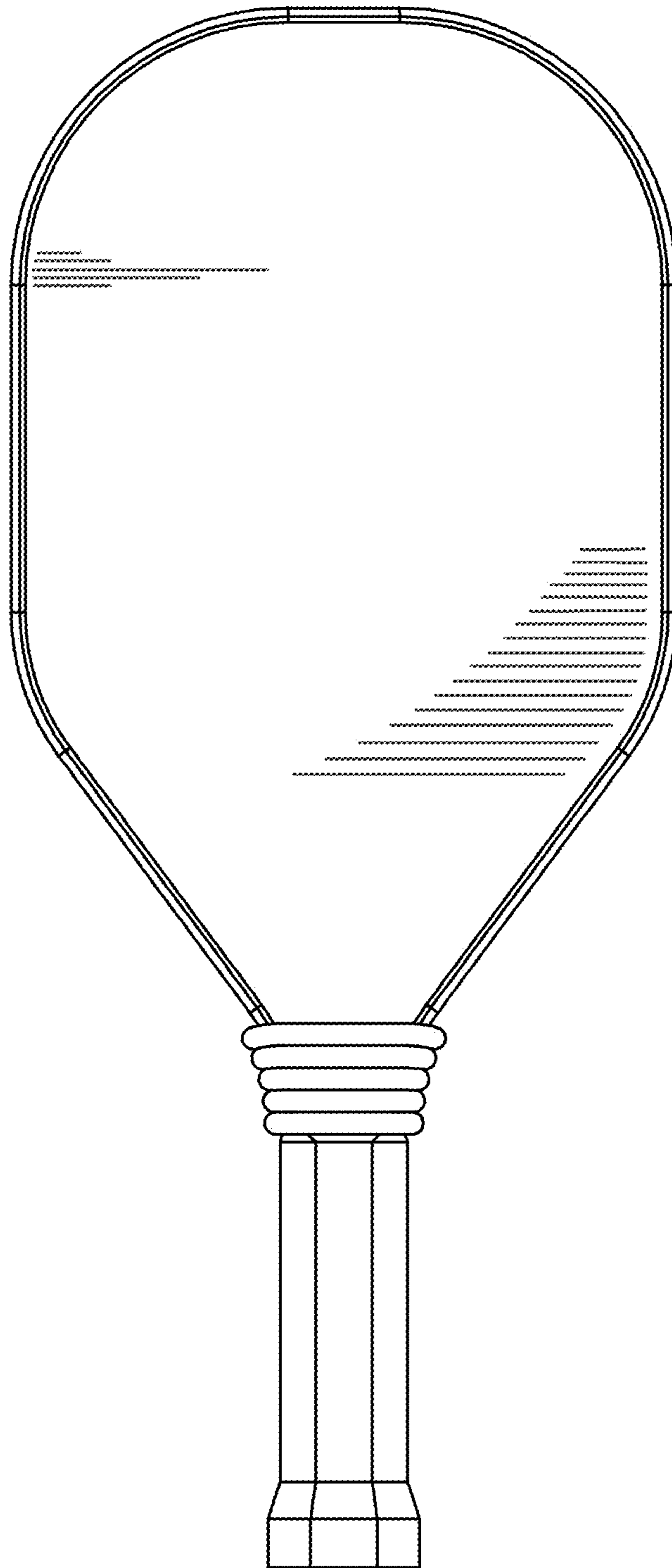


FIG. 2

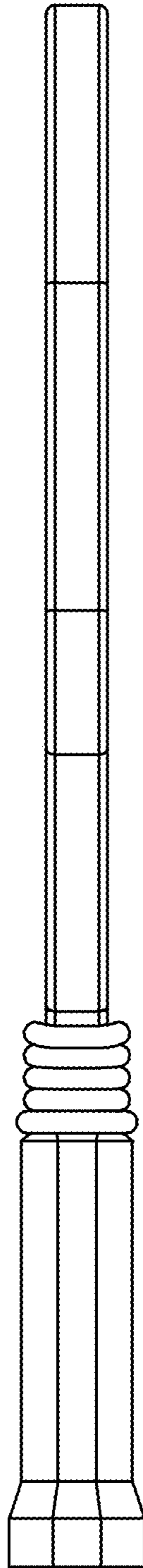


FIG. 3

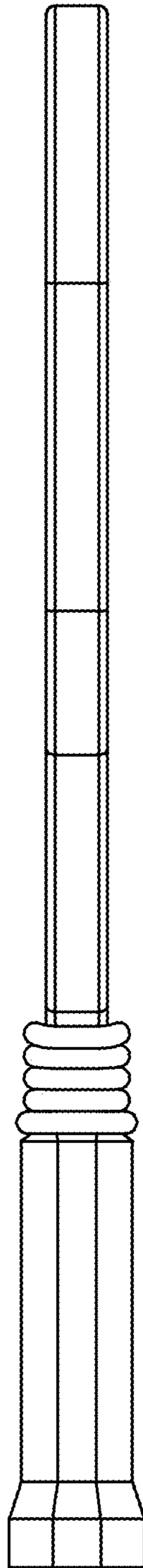


FIG. 4

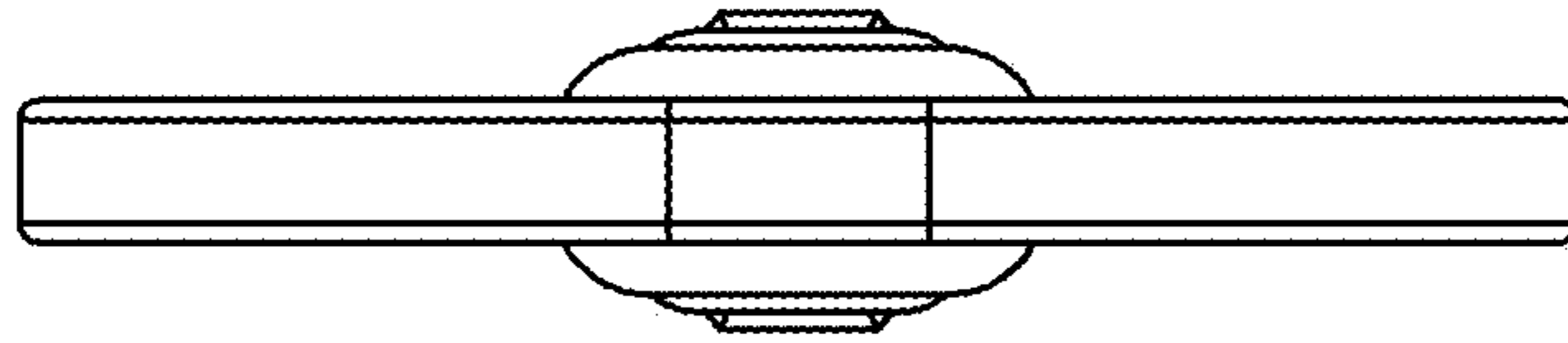


FIG. 5

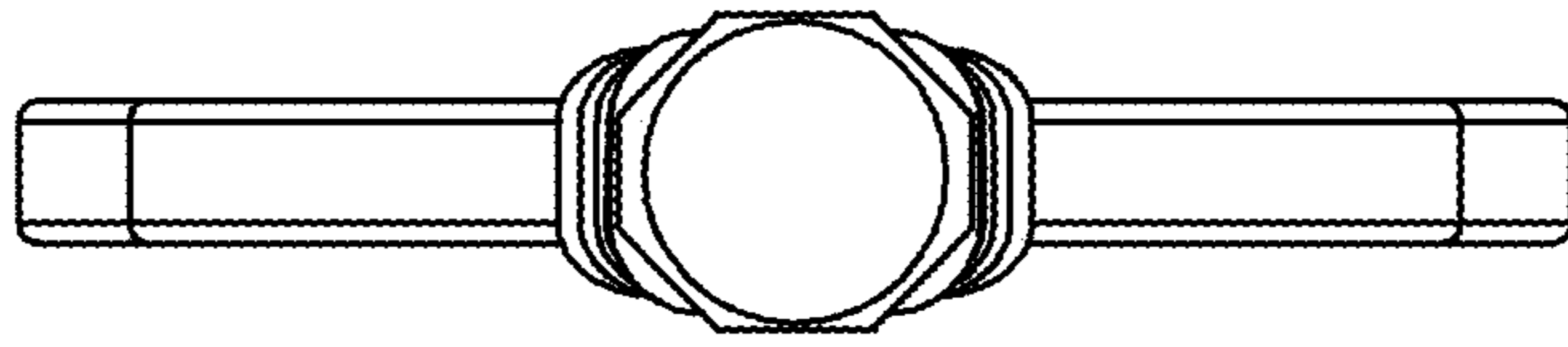


FIG. 6

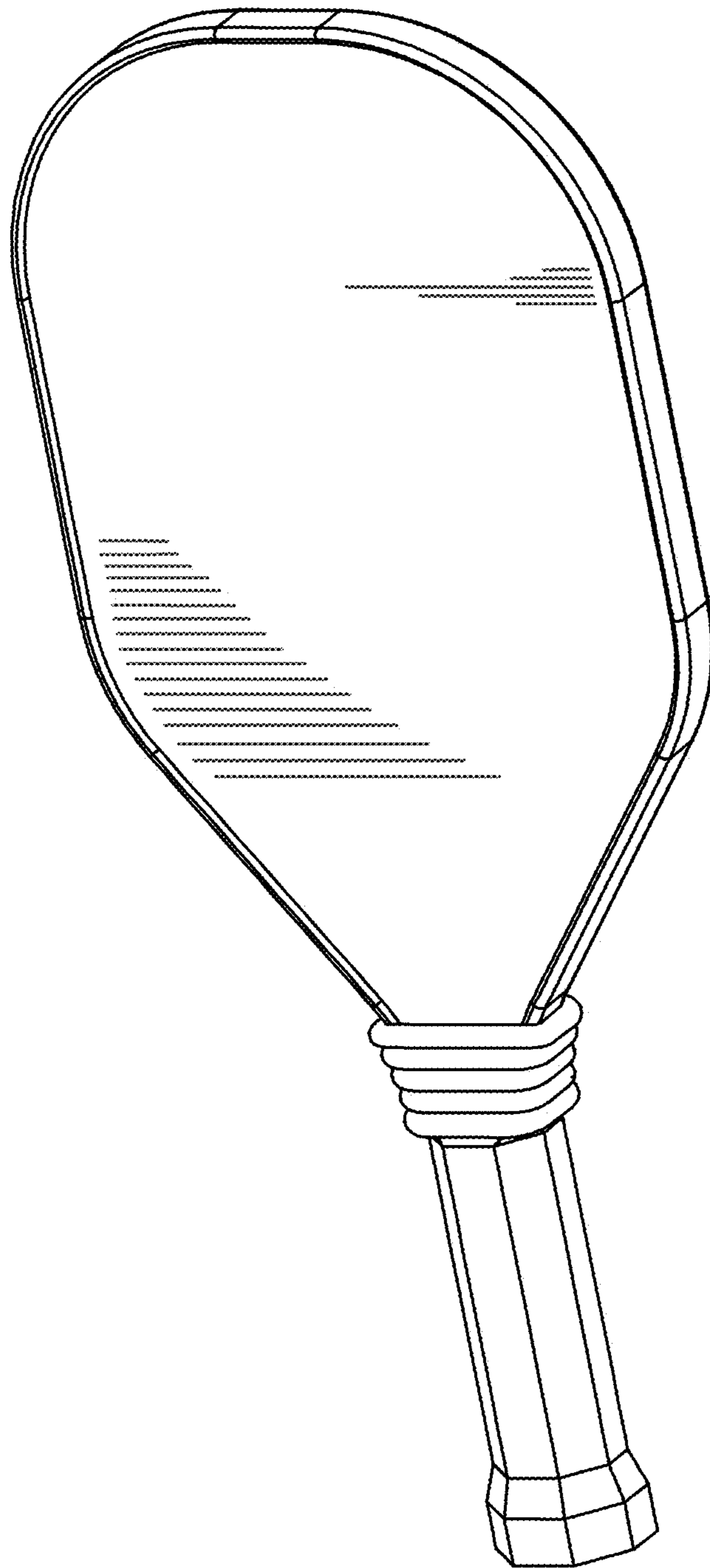


FIG. 7