



US00D910785S

(12) **United States Design Patent** (10) **Patent No.:** **US D910,785 S**
Karvandi (45) **Date of Patent:** **** Feb. 16, 2021**

(54) **OCCLUSION TRAINING BAND WITH BUCKLE**

(71) Applicant: **Orangutan Organization, Inc.**, Walpole, MA (US)

(72) Inventor: **Kusha Karvandi**, Leander, TX (US)

(73) Assignee: **Orangutan Organization, Inc.**, Walpole, MA (US)

(**) Term: **15 Years**

(21) Appl. No.: **29/681,533**

(22) Filed: **Feb. 26, 2019**

(51) **LOC (13) Cl.** **21-02**

(52) **U.S. Cl.**
USPC **D21/694**

(58) **Field of Classification Search**
USPC D2/624, 626, 627, 629, 640, 701, 703;
D21/662, 683, 684, 685, 692, 694;
D8/355, 356; D24/190
CPC ... A63B 21/0442; A63B 21/16; A63B 21/169;
A61H 2011/005
See application file for complete search history.

(56) **References Cited**

U.S. PATENT DOCUMENTS

D242,290 S *	11/1976	Evans	D24/190
4,184,617 A *	1/1980	Lyon	A41F 9/002
				224/234
D281,005 S *	10/1985	Larsen	D21/694
D373,803 S *	9/1996	Winans	D21/684
D397,838 S *	9/1998	Waggoner	D14/192
D433,227 S *	11/2000	Evans	D2/629
D441,413 S *	5/2001	Cataldi, Jr.	D21/662
D457,688 S *	5/2002	Cordero	D2/627
D488,287 S *	4/2004	Berger	D2/624
D488,288 S *	4/2004	Eggers	D2/624
D529,896 S *	10/2006	Anderson	D14/189
D647,279 S *	10/2011	Shi	D2/629

D648,440 S *	11/2011	Allen	D24/190
D649,648 S *	11/2011	Cavalieri	A61F 5/028
				D24/190
D650,485 S *	12/2011	Jaccard	D24/190
D712,555 S *	9/2014	Berg	D24/190
D742,461 S *	11/2015	Baldwin	D21/662
D750,716 S *	3/2016	Pouliot	D21/692
D753,244 S *	4/2016	Hovey	D21/662
D761,924 S *	7/2016	Sato	D21/662
D800,991 S *	10/2017	Gordon	D2/627
D810,843 S *	2/2018	Karvandi	D21/662
D828,467 S *	9/2018	Karvandi	D21/662
D841,935 S *	3/2019	Dennard	D2/627
D843,525 S *	3/2019	Karvandi	D21/694

(Continued)

OTHER PUBLICATIONS

Youtube, "BFR Bands Rigid Edition Arm Bands", Apr. 29, 2020.
<https://www.youtube.com/watch?v=1aPar6efLc4>. Shown at the 0:07 minute mark. (Year: 2020).*

(Continued)

Primary Examiner — Cynthia Ramirez
Assistant Examiner — Michael A Maharajh
(74) *Attorney, Agent, or Firm* — Zeller IP Group, PLLC;
Kyle M. Zeller

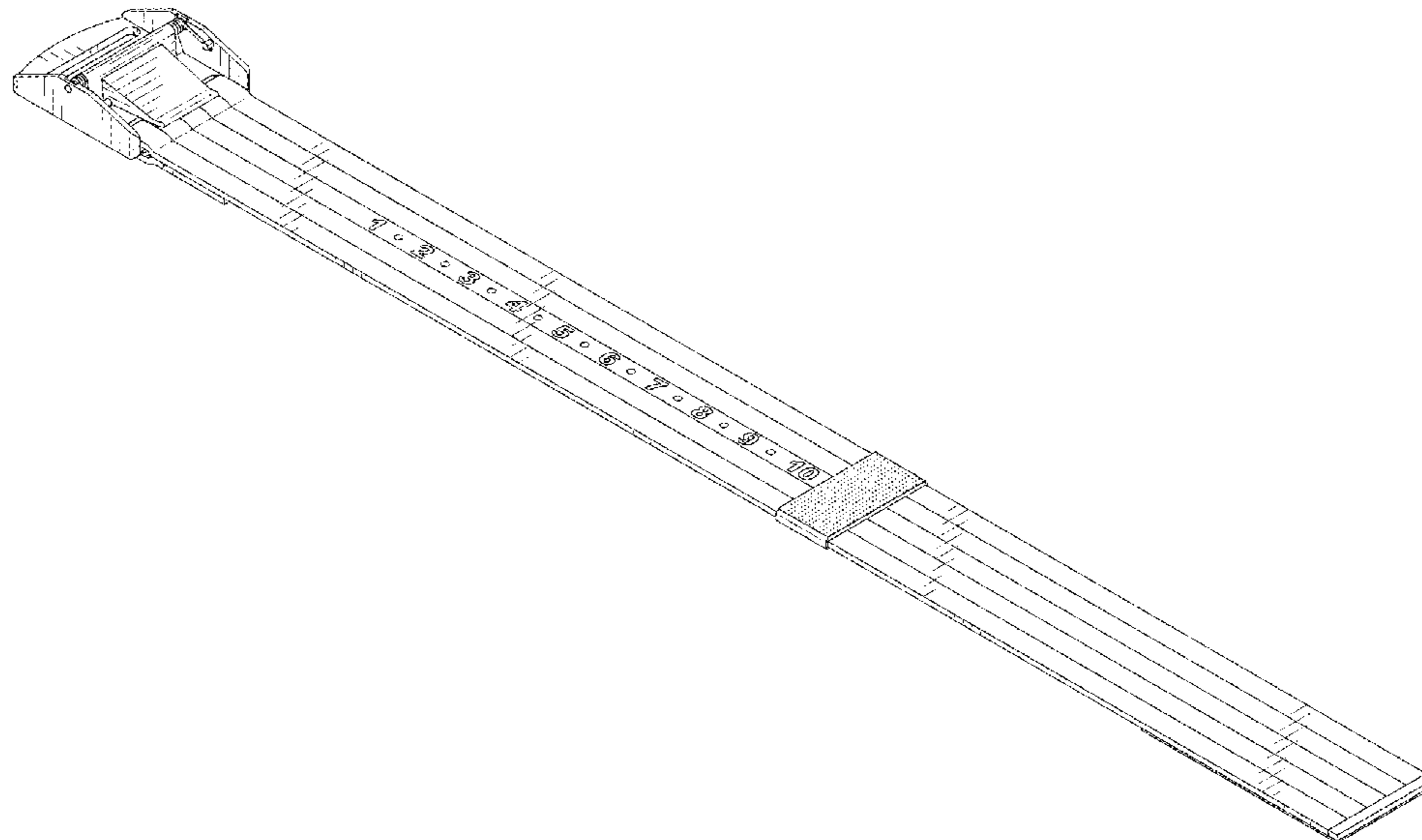
(57) **CLAIM**

The ornamental design for an occlusion training band with buckle, as shown and described.

DESCRIPTION

FIG. 1 is a top front perspective view of an occlusion training band with buckle showing my new design;
FIG. 2 is a front elevation view thereof;
FIG. 3 is a right side elevation view thereof;
FIG. 4 is a left side elevation view thereof;
FIG. 5 is a top plan view thereof; and,
FIG. 6 is a bottom plan view thereof.

1 Claim, 2 Drawing Sheets



(56)

References Cited

U.S. PATENT DOCUMENTS

D847,468 S * 5/2019 Genao D2/859
D849,361 S * 5/2019 Mouquet D2/627
D850,546 S * 6/2019 Reese D21/694
D853,501 S * 7/2019 Karvandi D21/662
D856,444 S * 8/2019 Karvandi D21/662
D858,938 S * 9/2019 He D2/627
D868,270 S * 11/2019 Nadeau D24/190
10,463,905 B1 * 11/2019 Smith, Jr. A63B 23/0405
D870,218 S * 12/2019 Sudell D21/692
D872,200 S * 1/2020 Antezana D21/692
D877,451 S * 3/2020 Ardit D2/627
D893,830 S * 8/2020 Scott D2/629
2002/0107119 A1 * 8/2002 Porter A63B 21/0552
482/121
2002/0160891 A1 * 10/2002 Gallagher A63B 21/154
482/123
2017/0274236 A1 * 9/2017 Farias A63B 21/0023
2018/0020781 A1 * 1/2018 McNeill B60P 7/0823
24/450
2018/0154818 A1 * 6/2018 Sauerwald B60P 7/06
2019/0060700 A1 * 2/2019 Abecasis A63B 21/16
2019/0076153 A1 * 3/2019 Karvandi A63B 21/4011
2020/0171342 A1 * 6/2020 Peery A63B 23/03575

OTHER PUBLICATIONS

Amazon, "Occlusion Training Bands", Feb. 3, 2018. https://www.amazon.com/Occlusion-Training-Bands-BFR-Restriction/dp/B0777QRRHH?ref_ast_sto_dp. Shown on p. 1. (Year: 2018).*

Amazon, "BFR Training Bands", Jul. 27, 2018. https://www.amazon.com/BFR-BANDS-Occlusion-Restriction-Quick-Release/dp/B07D9V4TWJ/ref_cm_cr_arp_d_product_top?ie=UTF8. Shown on p. 1. (Year: 2018).*

* cited by examiner

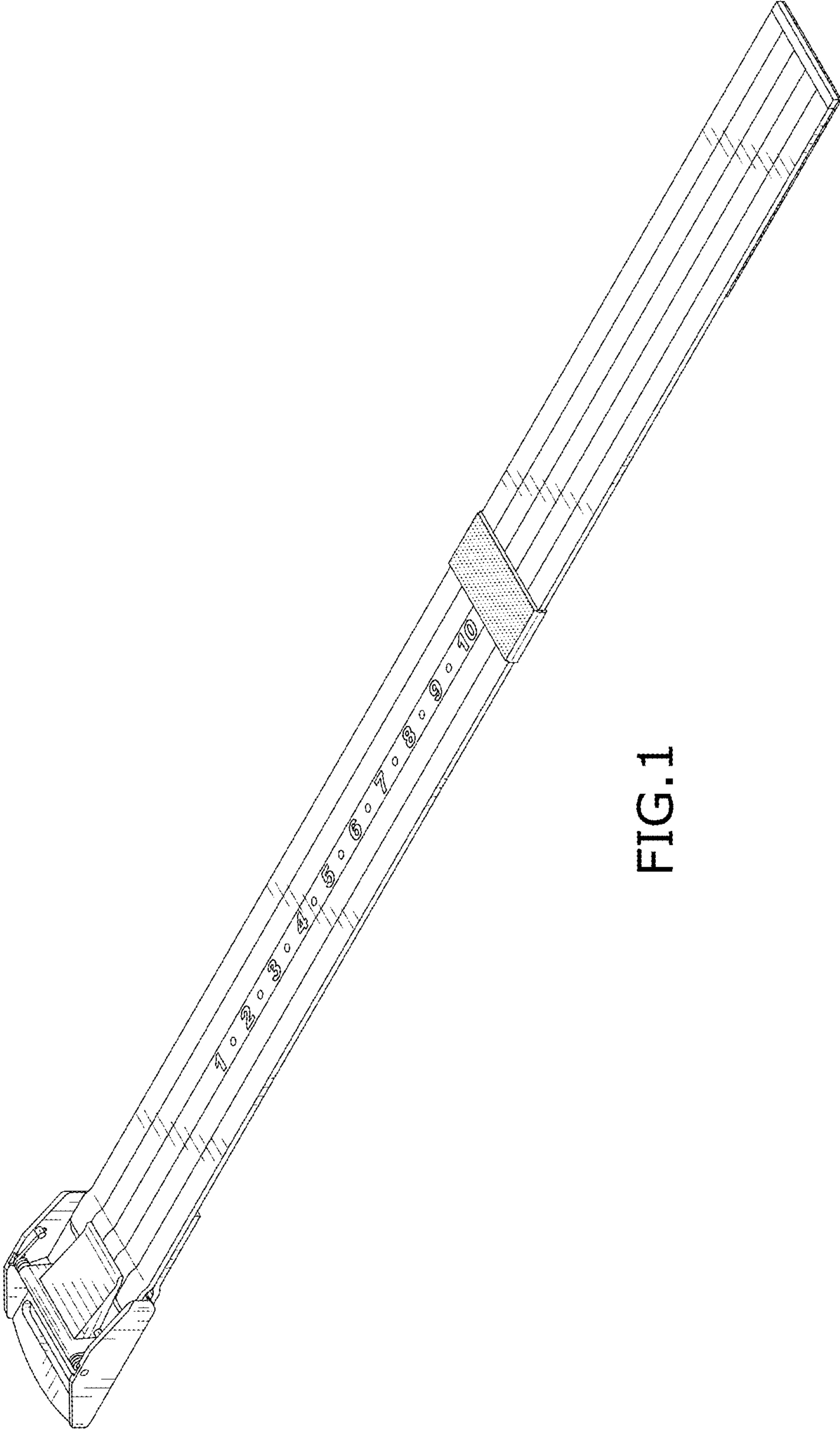


FIG.1

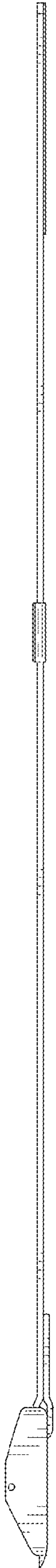


FIG. 2



FIG. 3



FIG. 4

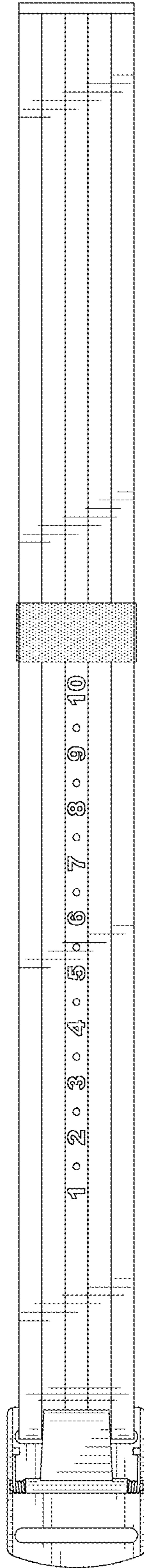


FIG. 5

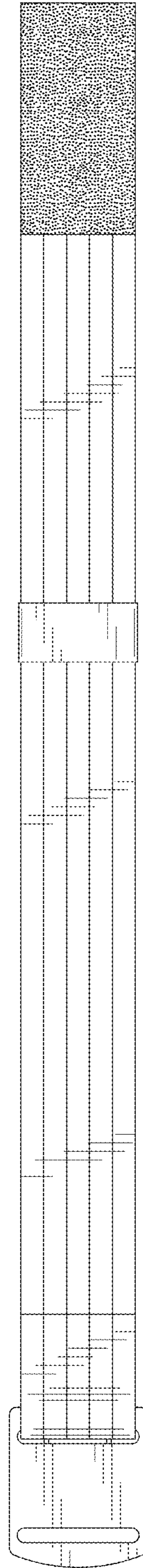


FIG. 6