



US00D910784S

(12) **United States Design Patent** (10) **Patent No.:** **US D910,784 S**
Wang (45) **Date of Patent:** **** Feb. 16, 2021**

(54) **TOY FIGURE**

(71) Applicant: **Zhihong Wang**, Guangdong (CN)

(72) Inventor: **Zhihong Wang**, Guangdong (CN)

(**) Term: **15 Years**

(21) Appl. No.: **29/719,210**

(22) Filed: **Jan. 2, 2020**

(51) **LOC (13) Cl.** **21-02**

(52) **U.S. Cl.**
USPC **D21/658**

(58) **Field of Classification Search**
USPC D11/160; D21/576, 578, 585, 621-623,
D21/630-631, 634, 636-637, 658-661
CPC A63H 3/16; A63H 3/00
See application file for complete search history.

(56) **References Cited**

U.S. PATENT DOCUMENTS

4,569,666	A *	2/1986	Wolf	A63H 13/10 446/308
D366,076	S *	1/1996	Pedersen	D21/621
D611,108	S *	3/2010	Bodin	D21/621
D689,567	S *	9/2013	Pilgaard	D21/621
D689,568	S *	9/2013	Pilgaard	D21/658
9,844,734	B2 *	12/2017	Garling	F41B 15/00
D864,314	S *	10/2019	Kim	D21/621
D879,213	S *	3/2020	Hazzard	D21/621
D887,501	S *	6/2020	Zhan	D21/621
2014/0227936	A1 *	8/2014	Botterill	A63H 33/062 446/99

OTHER PUBLICATIONS

“Enjoy Minifigures” Aug. 12, 2020 site visited:Dec. 14, 2020
<https://web.archive.org/web/20200812120740/https://michaelsheppard.com/lego-compatible-minifigures> (Year: 2020).*

* cited by examiner

Primary Examiner — Michael C Stout
Assistant Examiner — Melvin L Davis
(74) *Attorney, Agent, or Firm* — ZANIP

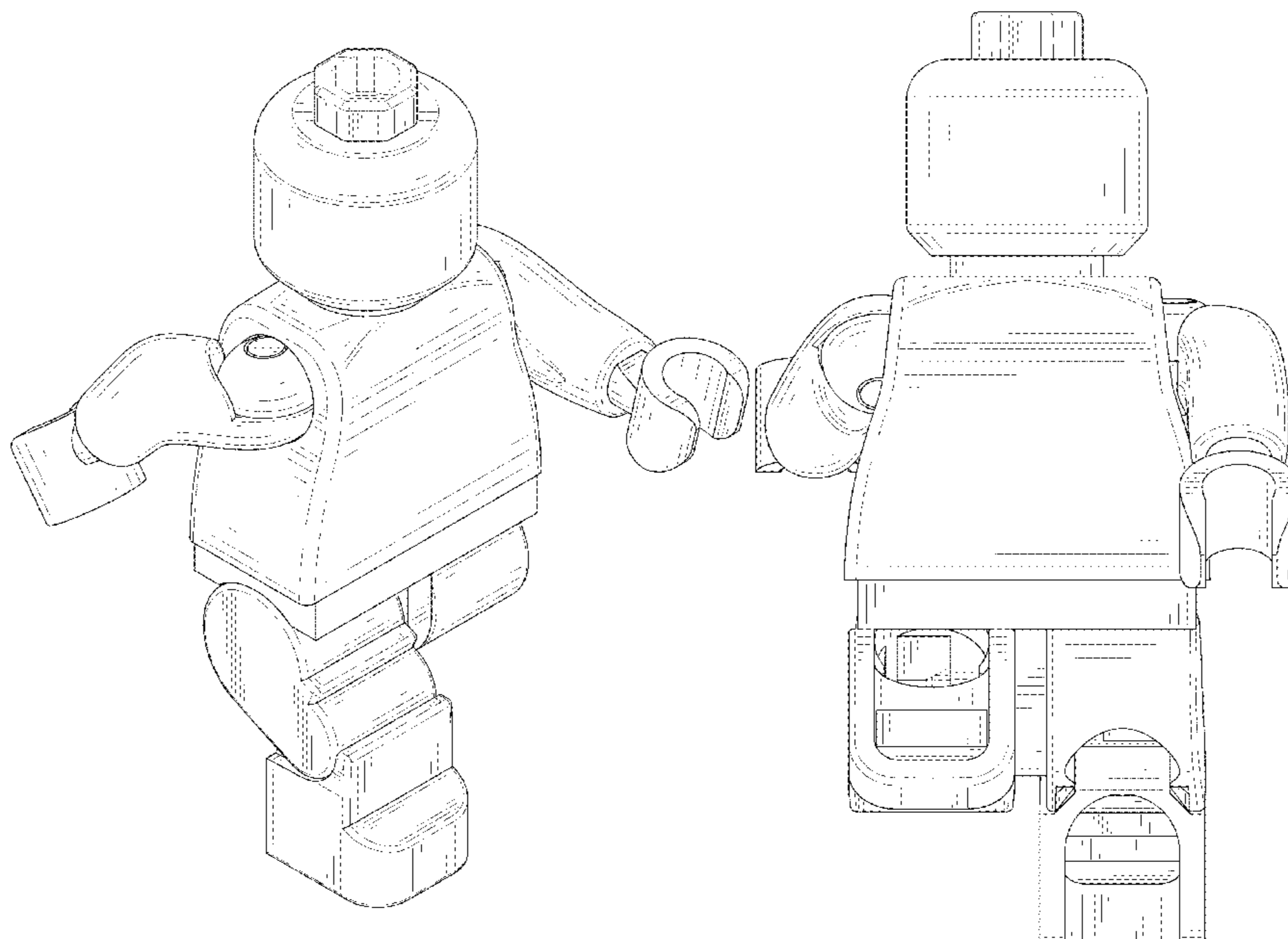
(57) **CLAIM**

The ornamental design for a toy figure, as shown and described.

DESCRIPTION

FIG. 1 is a front and top perspective view of a toy figure, showing my new design;
FIG. 2 is a rear and bottom perspective view thereof;
FIG. 3 is a front elevational view thereof;
FIG. 4 is a rear elevational view thereof;
FIG. 5 is a left side devotional view thereof;
FIG. 6 is a right side elevational view thereof;
FIG. 7 is a top plan view thereof;
FIG. 8 is a bottom plan view thereof;
FIG. 9 is a perspective view thereof, showing the toy figure in a squat position;
FIG. 10 is a perspective view thereof, showing the toy figure in a sit position; and,
FIG. 11 is a perspective view thereof, showing the toy figure in a stand position.
The broken lines in the, figures illustrate portions of the toy figure that form no part of the claimed design.

1 Claim, 11 Drawing Sheets



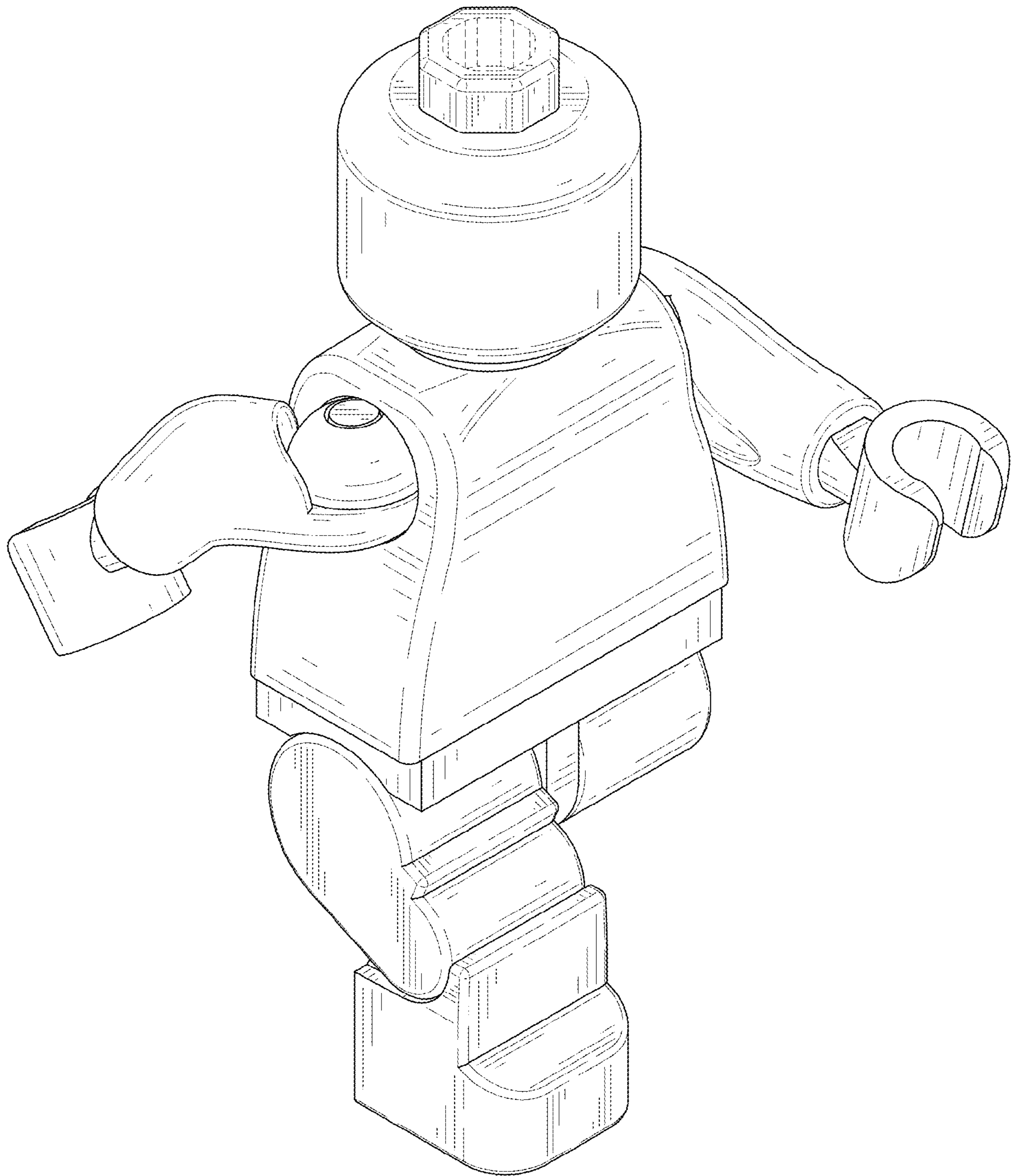


FIG. 1

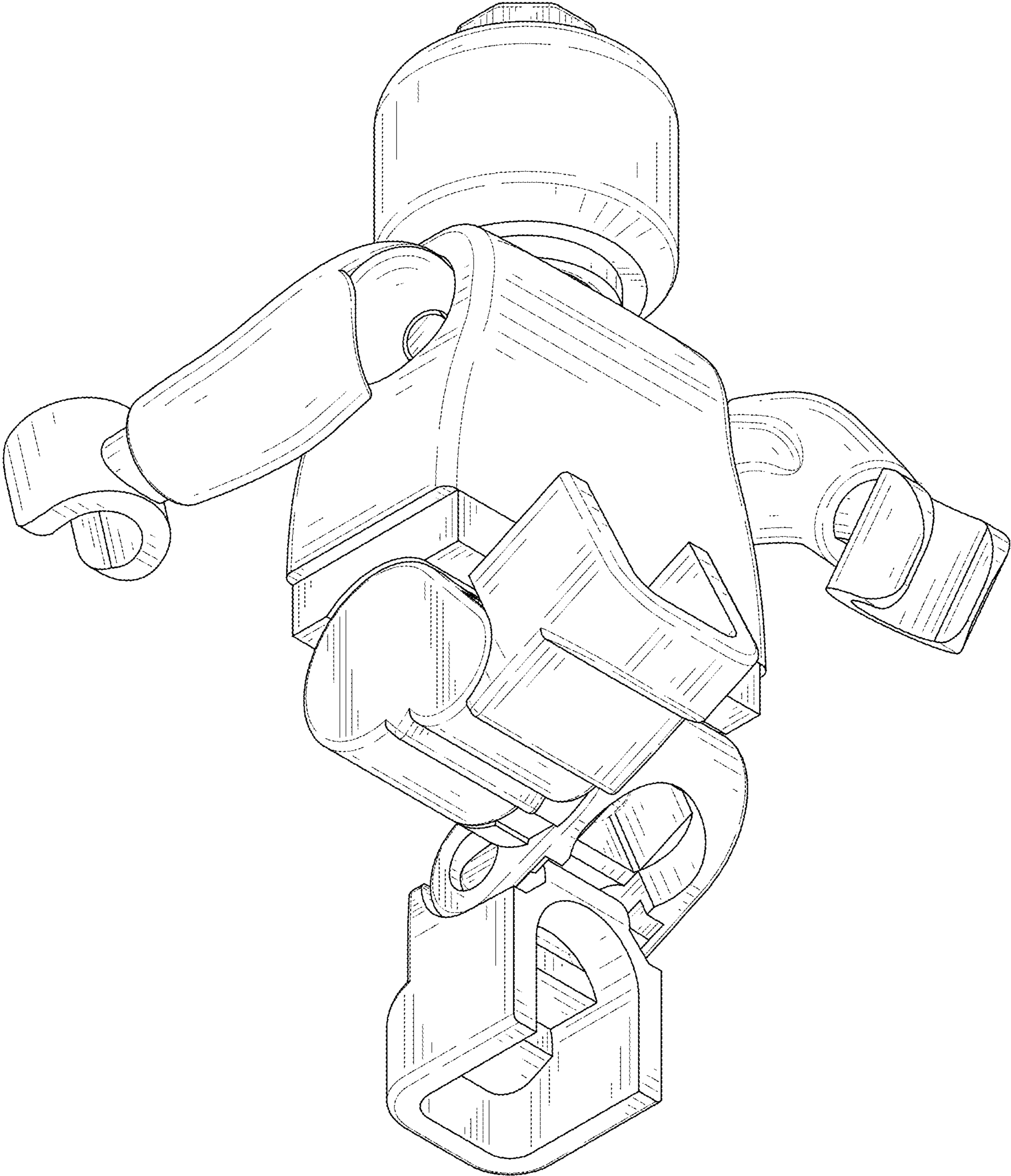


FIG. 2

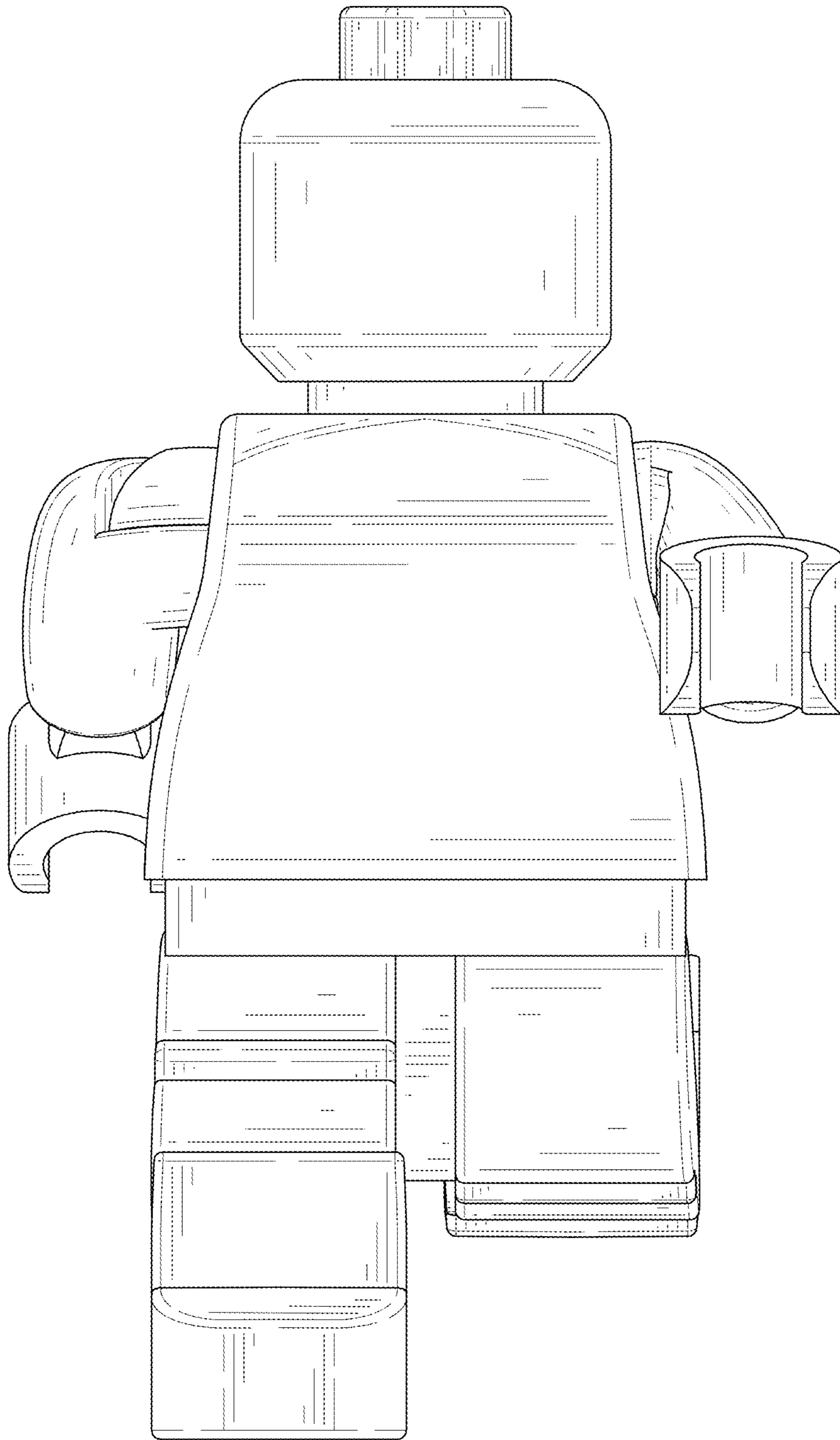


FIG. 3

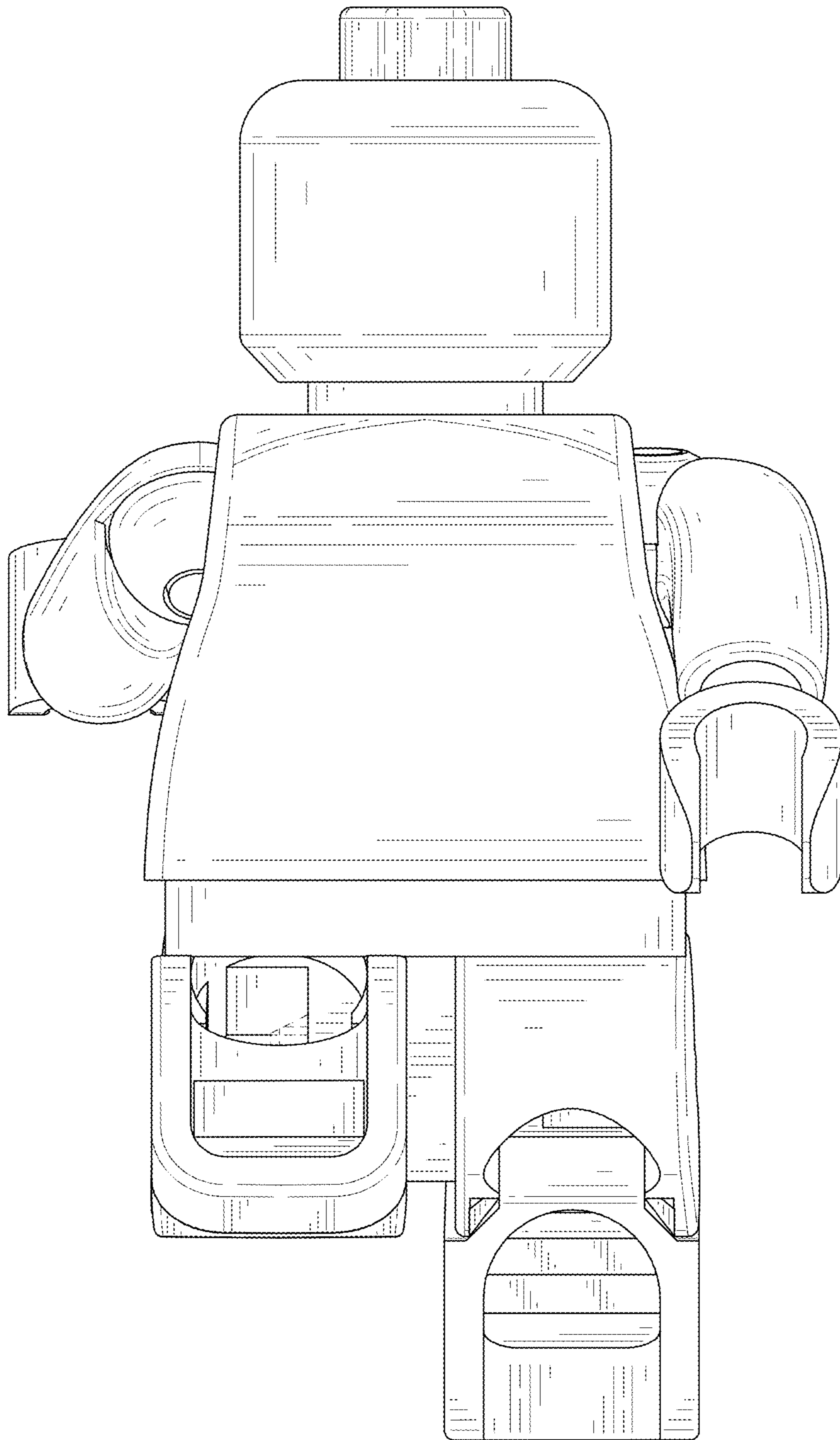


FIG. 4

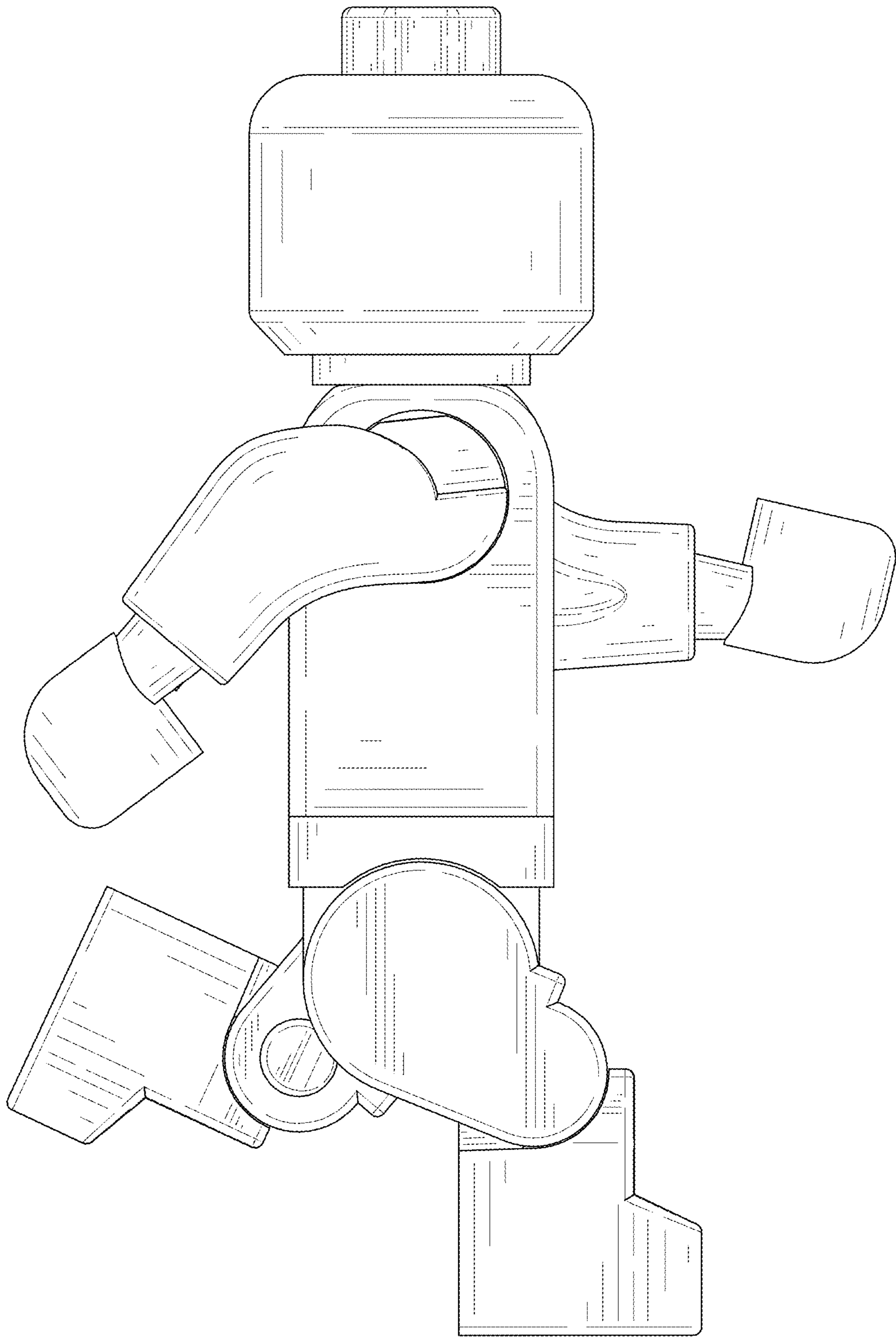


FIG. 5

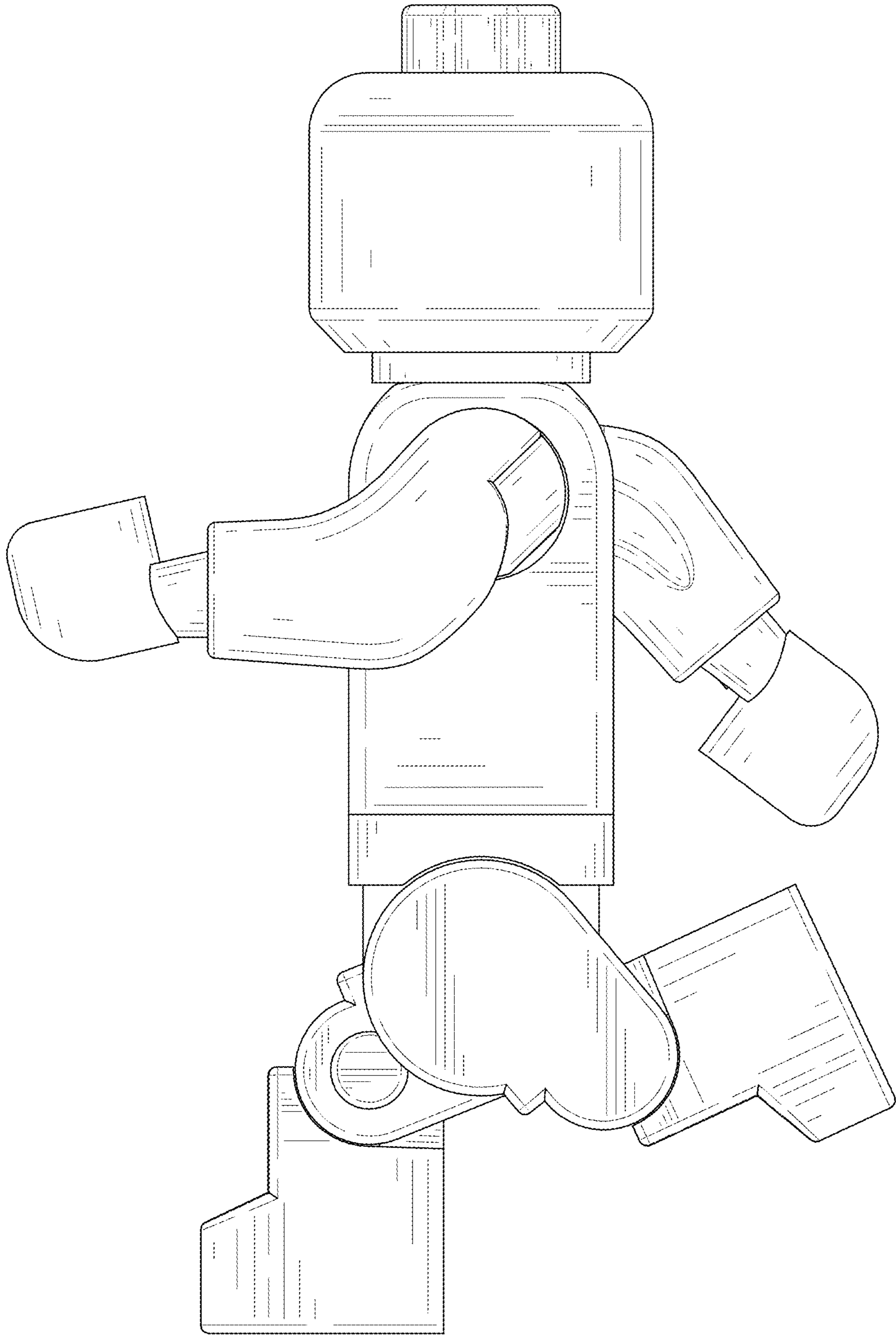


FIG. 6

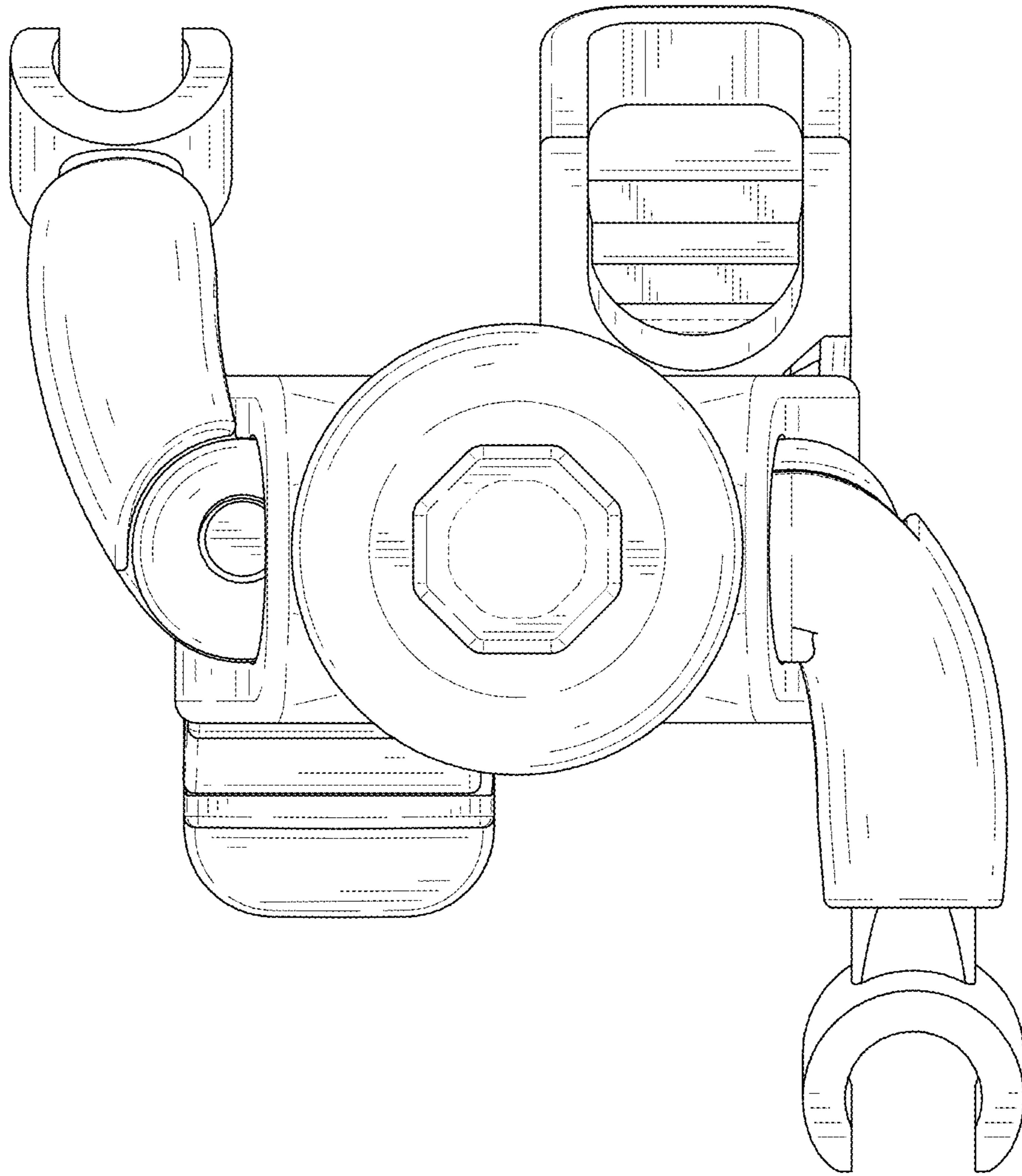


FIG. 7

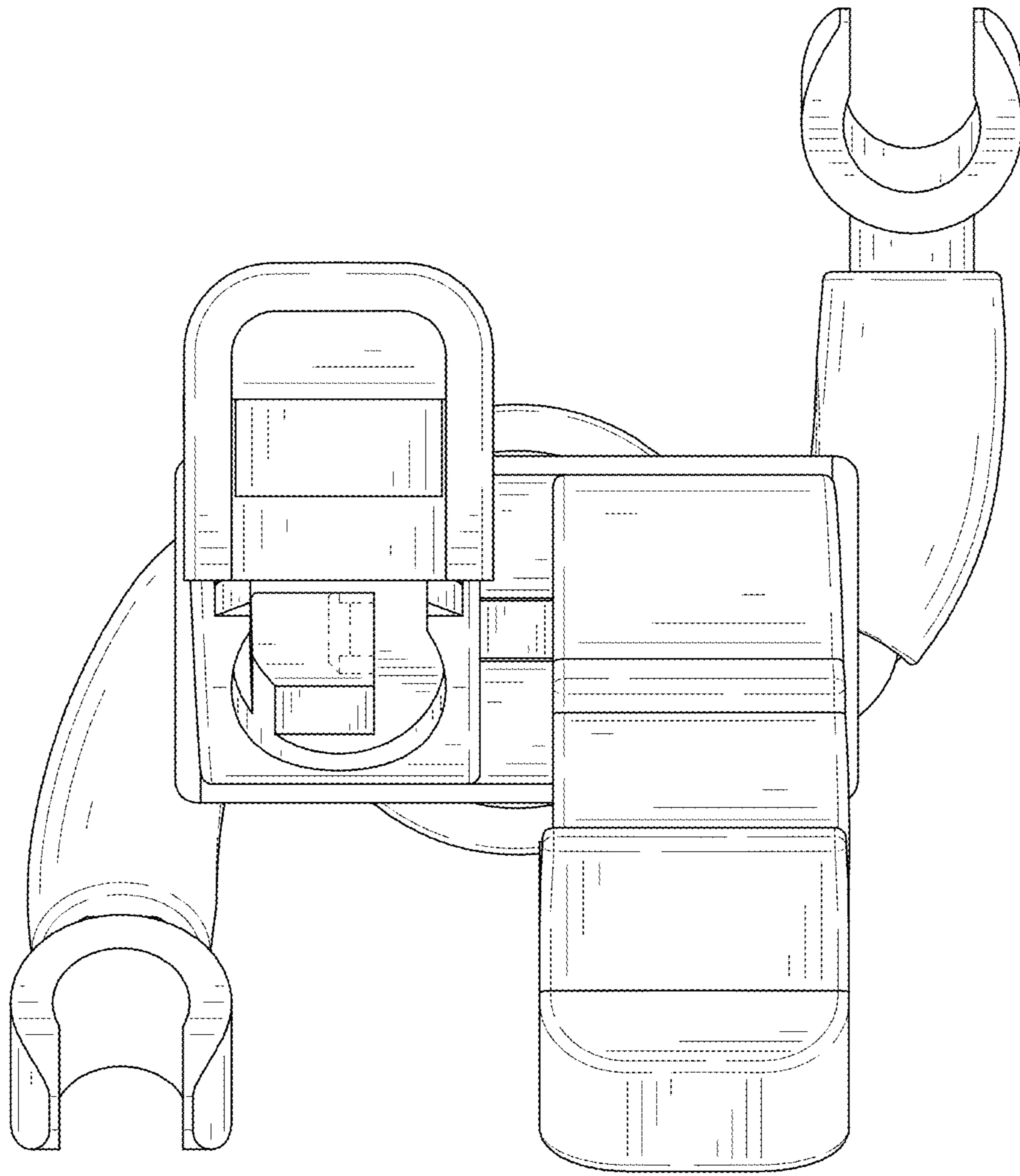


FIG. 8

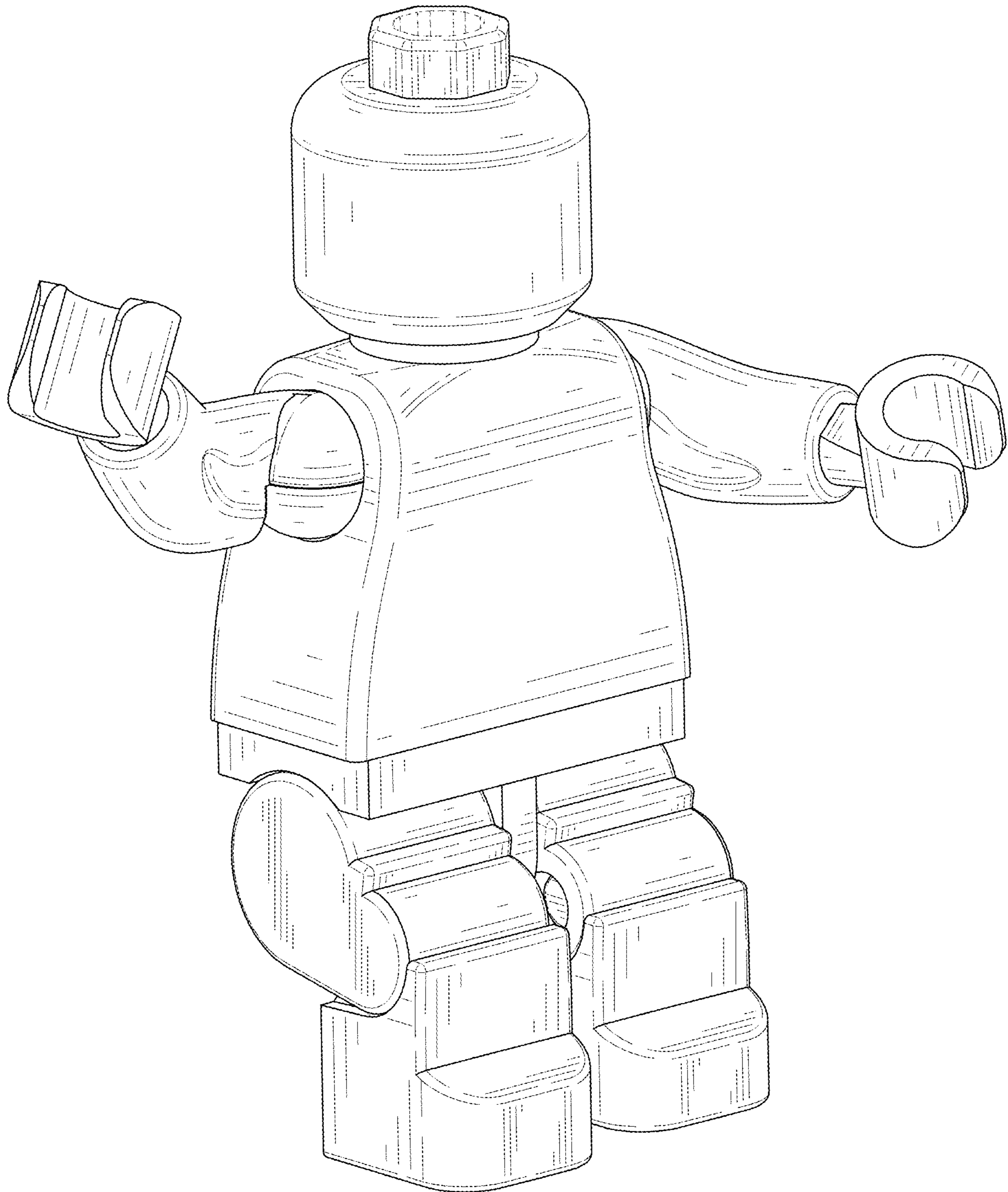


FIG. 9

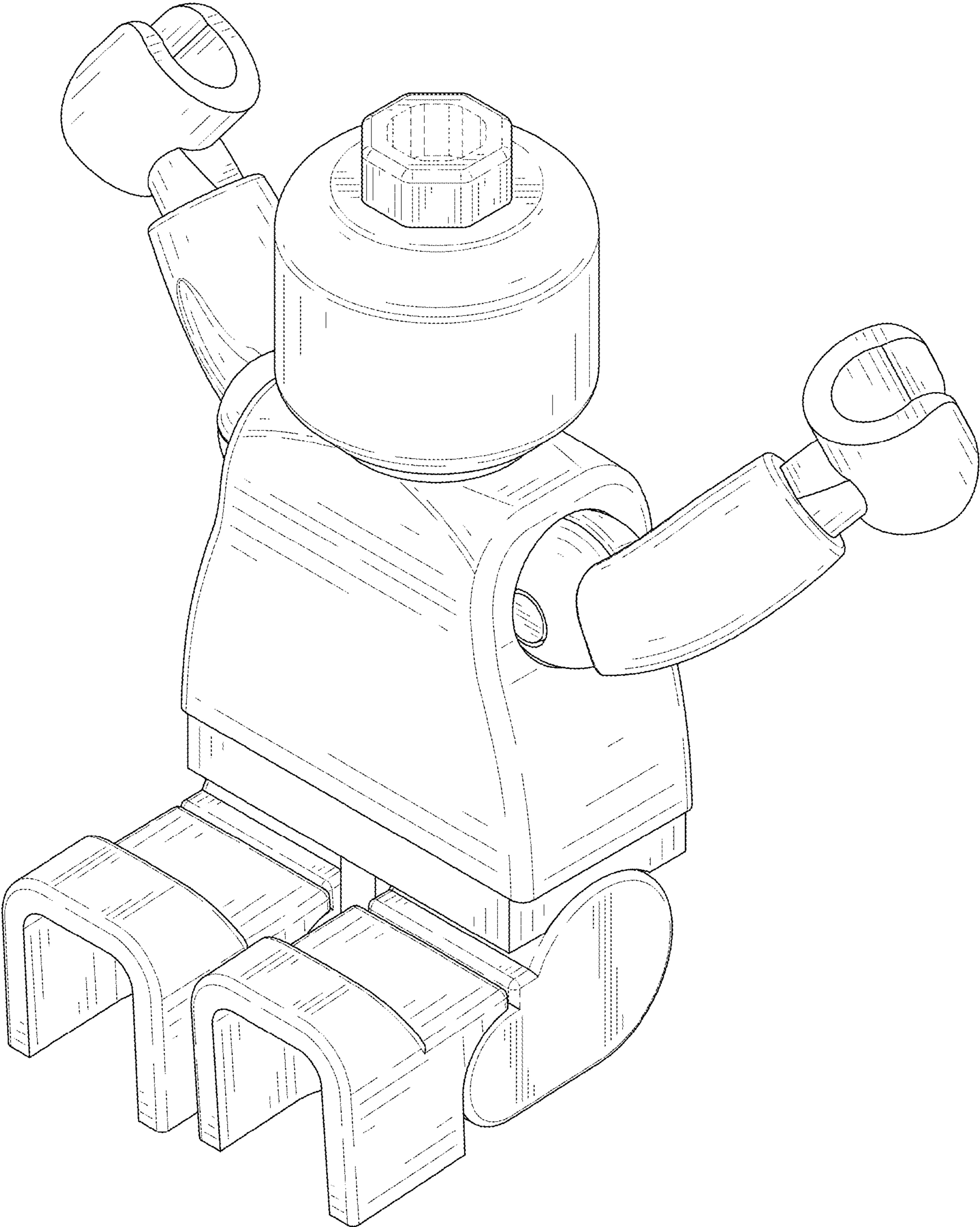


FIG. 10

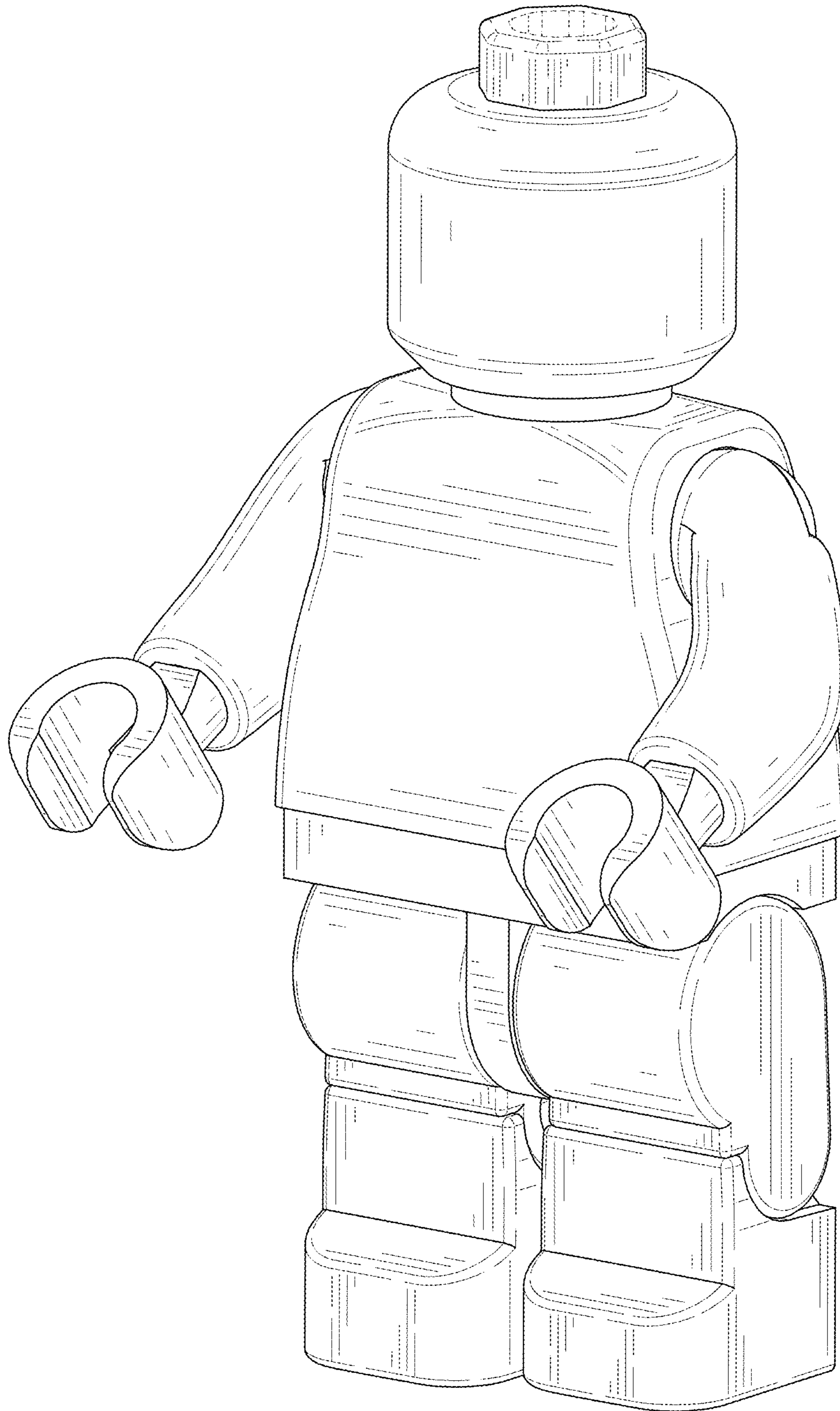


FIG. 11