



US00D910780S

(12) **United States Design Patent** (10) **Patent No.:** **US D910,780 S**
Huang (45) **Date of Patent:** **** Feb. 16, 2021**

(54) **TOY SCALE**

FOREIGN PATENT DOCUMENTS

(71) Applicant: **Jinhao Chen**, Shantou (CN)

CN 305793137 * 5/2020

(72) Inventor: **Jianyang Huang**, Shantou (CN)

OTHER PUBLICATIONS

(**) Term: **15 Years**

BestPysanky Wooden Toy Balance Scale 12.8 Inches | Etsy, reviews 2018, <https://www.etsy.com/listing/569411571/bestpysanky-wooden-toy-balance-scale-128?gpla...> site visited Sep. 26, 2020.*

(21) Appl. No.: **29/745,932**

(22) Filed: **Aug. 11, 2020**

* cited by examiner

(30) **Foreign Application Priority Data**

Primary Examiner — John R Yeh

May 12, 2020 (CN) 202030212591.5

(74) Attorney, Agent, or Firm — ZANIP

(51) **LOC (13) Cl.** **21-01**

(57) **CLAIM**

(52) **U.S. Cl.**

USPC **D21/523**

The ornamental design for a toy scale, as shown and described.

(58) **Field of Classification Search**

USPC D21/515–516, 519, 522–525, 528,

D21/530–533, 548–555; D10/90

CPC B05B 17/08; B05B 17/00; E03C 1/08;

B28B 1/00; A63H 33/00; A63H 33/30;

A44C 5/14; G04B 37/1486; G01G 1/00

See application file for complete search history.

DESCRIPTION

(56) **References Cited**

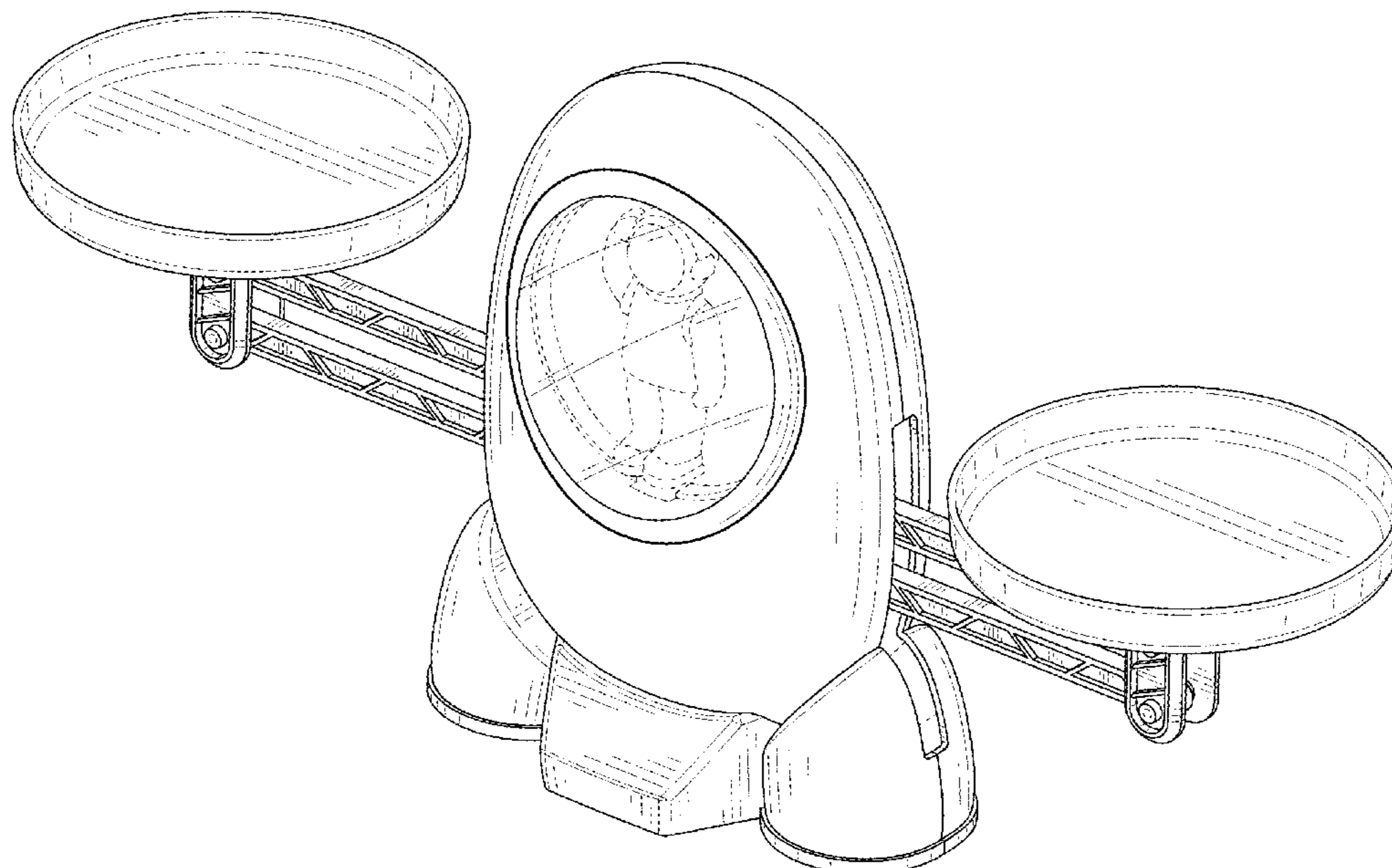
U.S. PATENT DOCUMENTS

D221,164 S	7/1971	Joslyn	
D262,299 S *	12/1981	Jones	D21/524
D359,085 S *	6/1995	Gierahn	D21/493
D400,813 S *	11/1998	Toriumi	D10/90
D527,069 S *	8/2006	Hiscox	D22/122
D528,935 S *	9/2006	Cumbach	D10/90
D568,189 S *	5/2008	O’Grady	D10/90
D611,375 S *	3/2010	Lin	D10/90
D627,235 S *	11/2010	Lo	D9/674
D723,111 S *	2/2015	Schutt	D21/484
D827,041 S *	8/2018	Brand	D21/452
D888,162 S *	6/2020	Fang	D21/452

FIG. 1 is a front and top perspective view of a toy scale, showing my new design;
FIG. 2 is a rear and bottom perspective view thereof;
FIG. 3 is a front elevational view thereof;
FIG. 4 is a rear elevational view thereof;
FIG. 5 is a left side elevational view thereof;
FIG. 6 is a right side elevational view thereof;
FIG. 7 is a top plan view thereof;
FIG. 8 is a bottom plan view thereof; and,
FIG. 9 is a perspective view thereof, showing a toy astronaut stand on a toy scale tray.

The broken lines in FIGS. 1-9 represent portions of the toy scale that form no part of the claimed design. FIG. 9 shows an additional toy astronaut which is environment of the toy scale that forms no part of the claimed design.

1 Claim, 9 Drawing Sheets



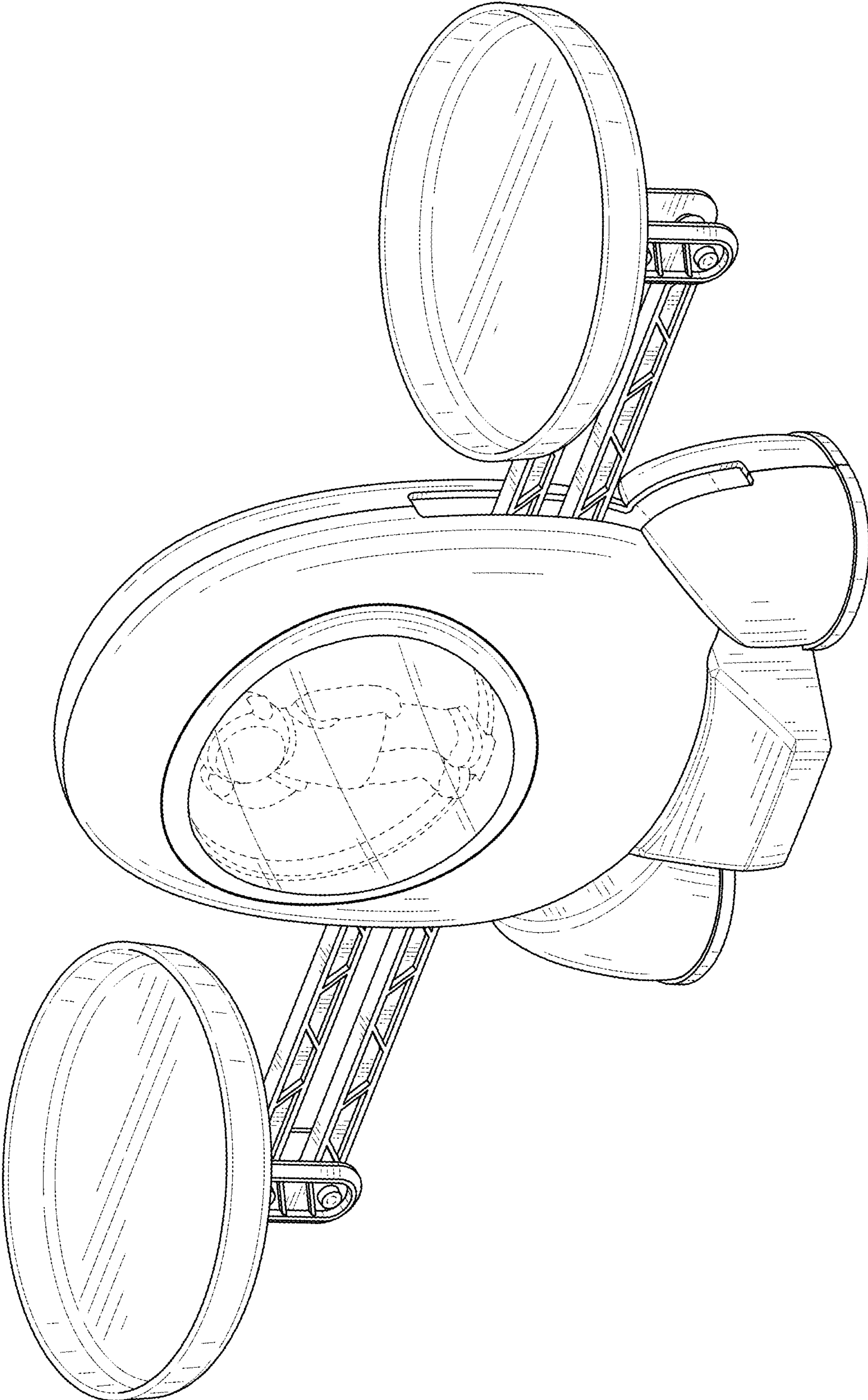


FIG. 1

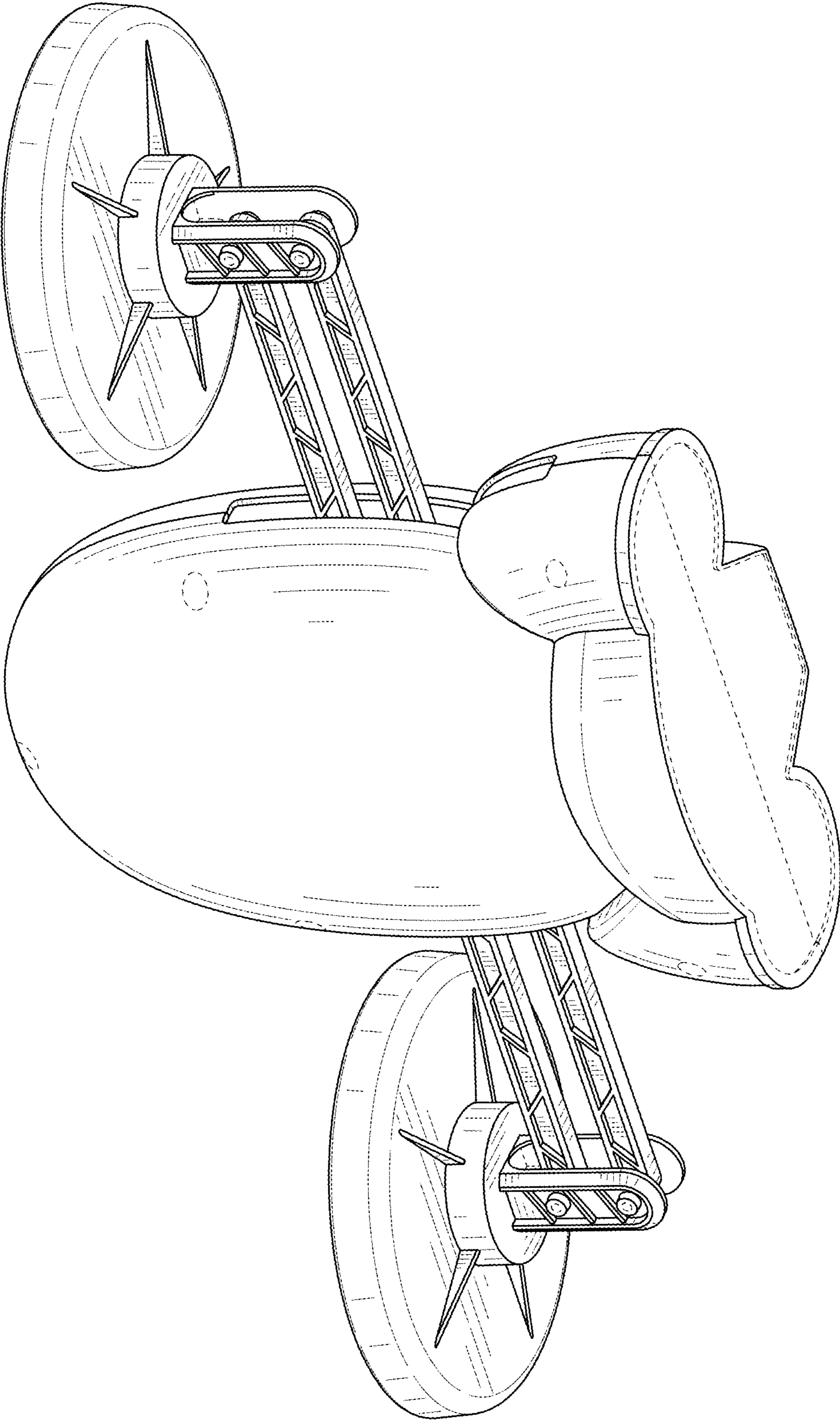


FIG. 2

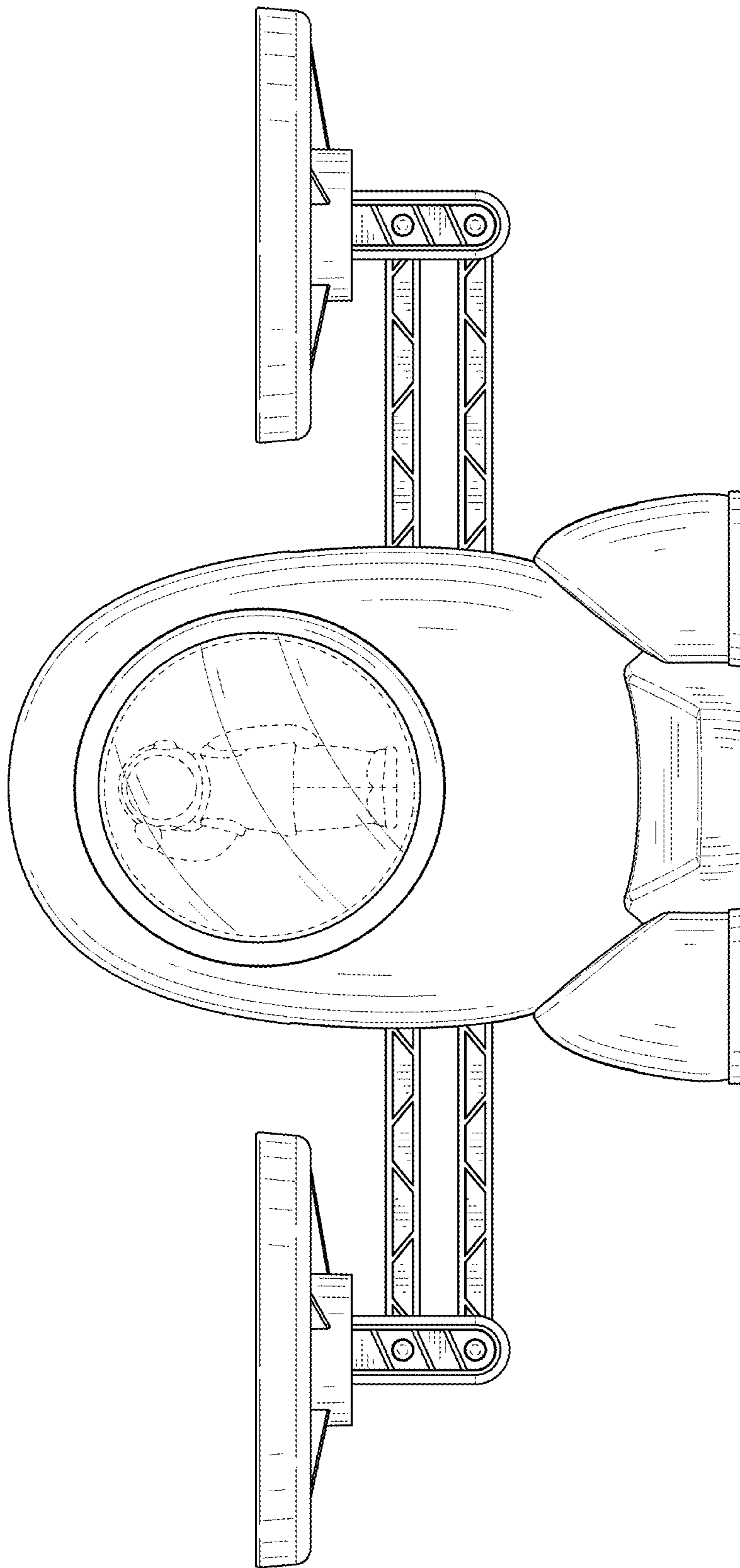


FIG. 3

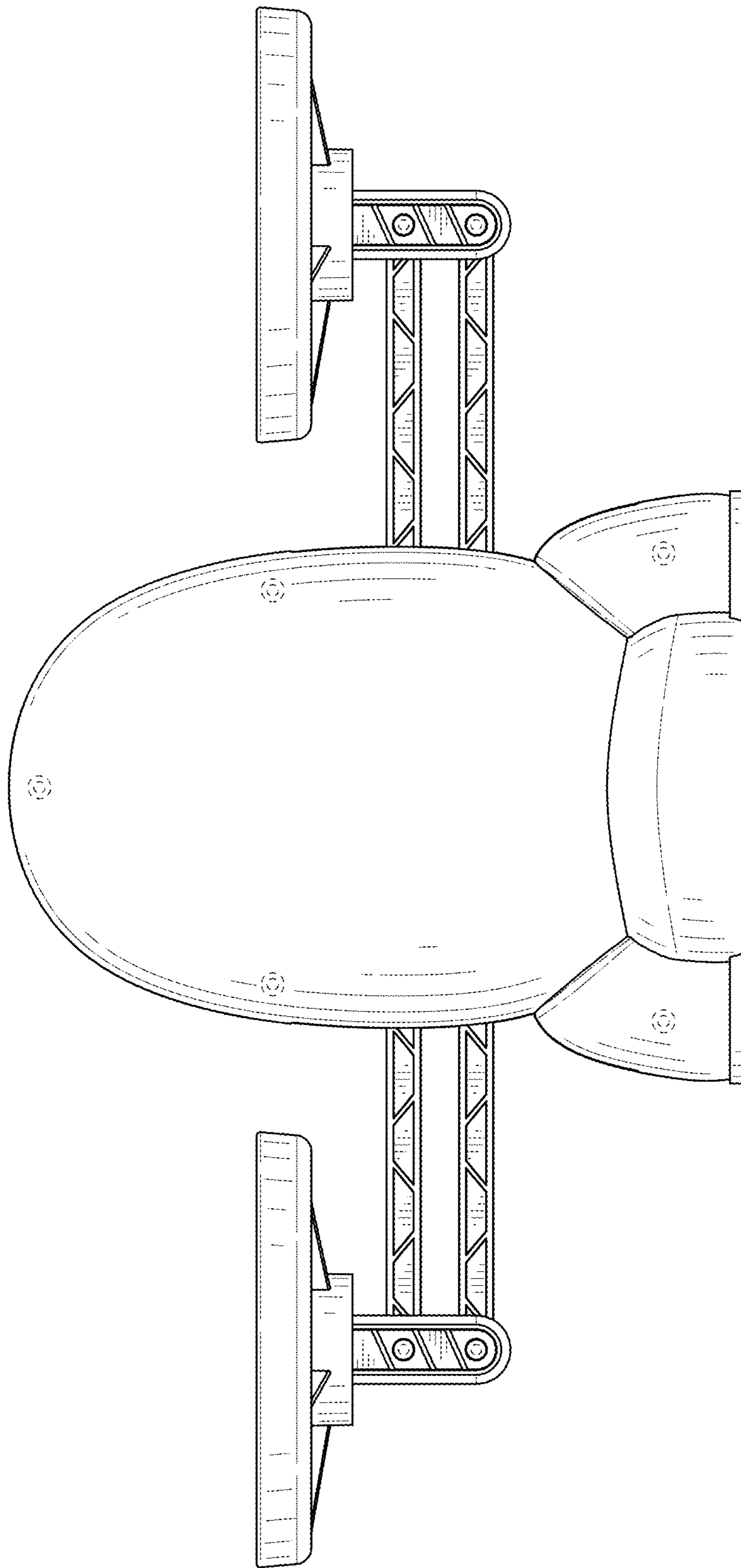


FIG. 4

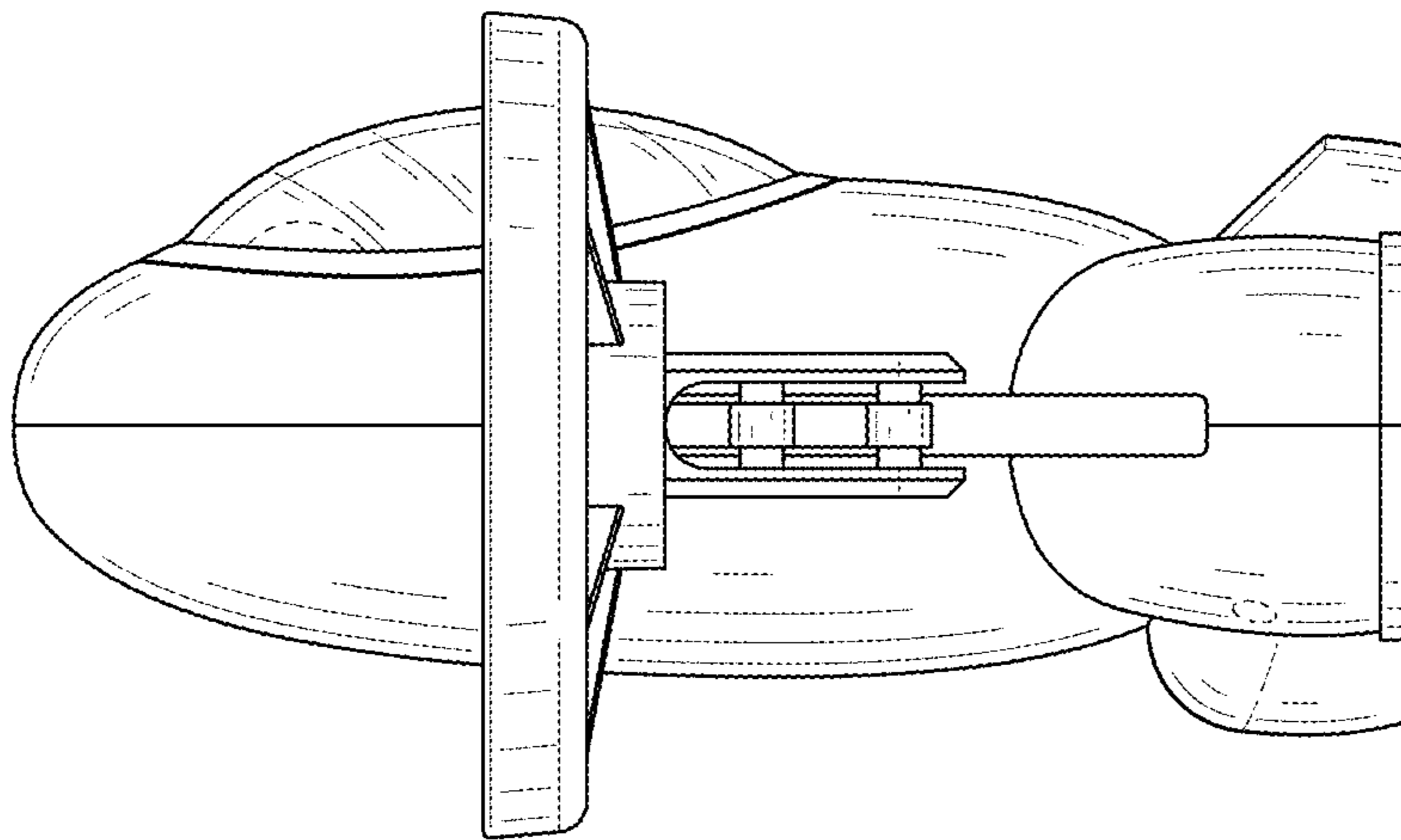


FIG. 5

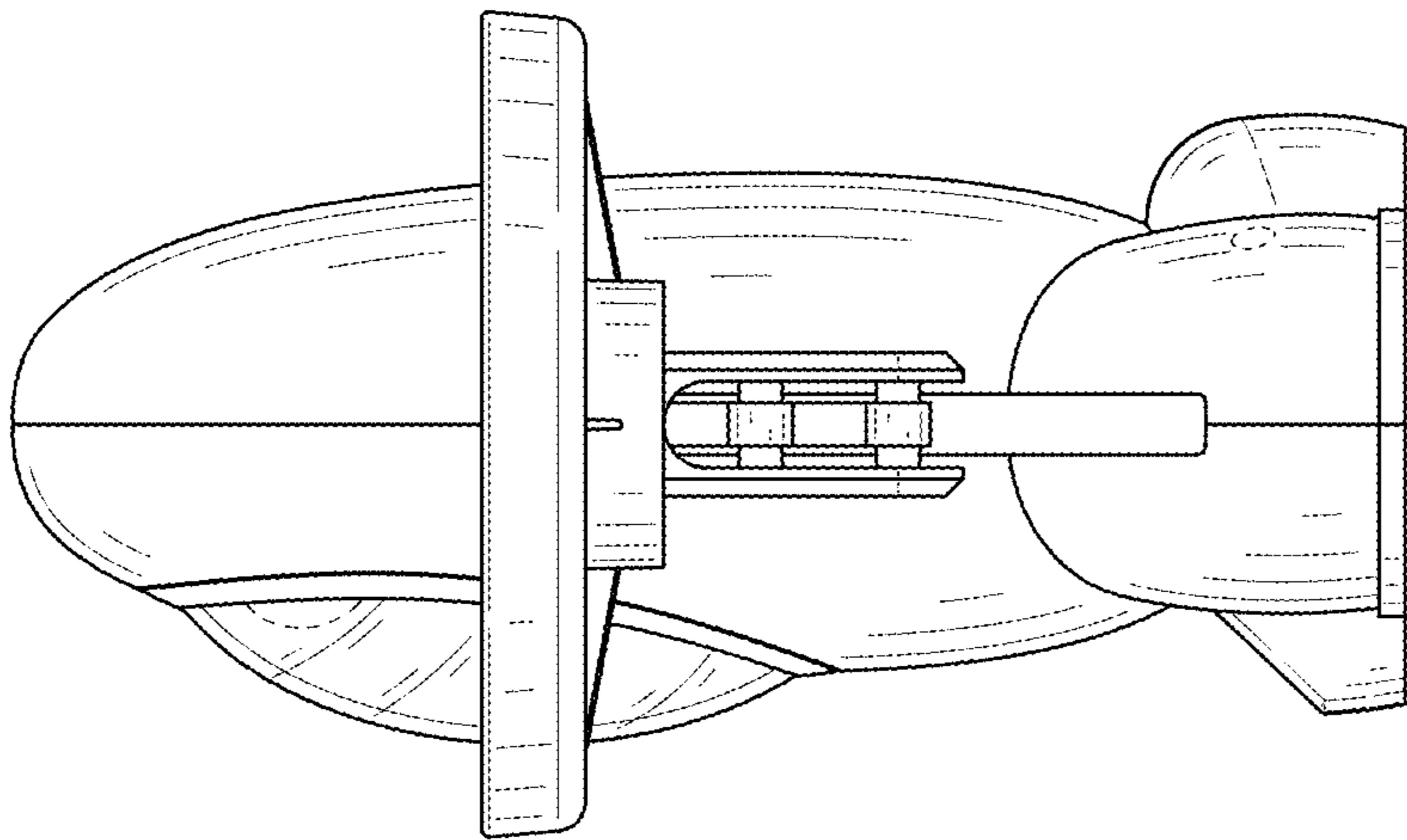


FIG. 6

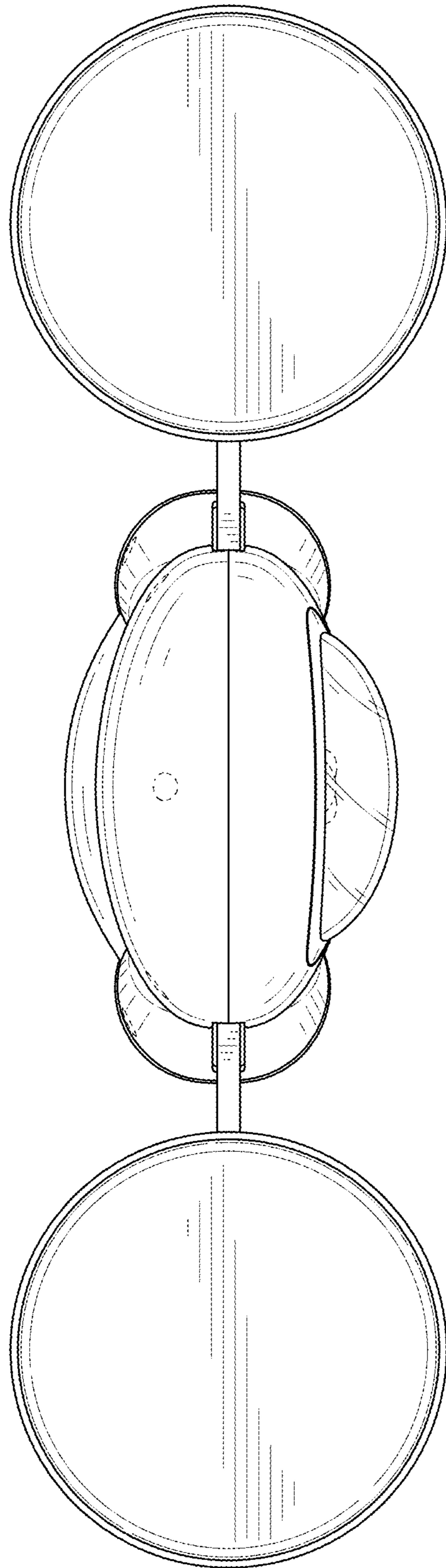


FIG. 7

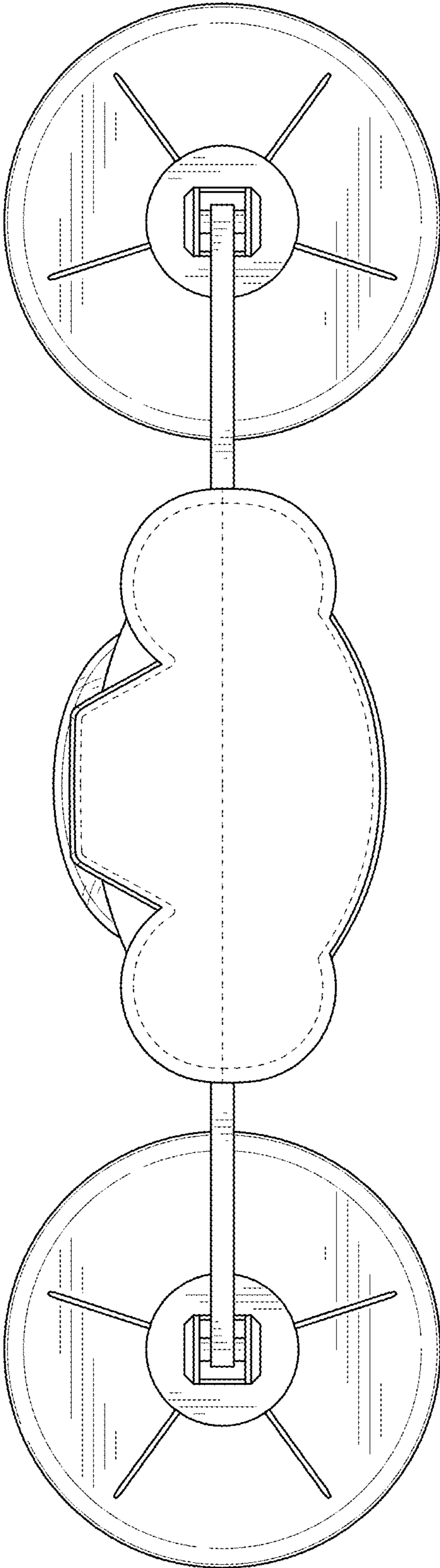


FIG. 8

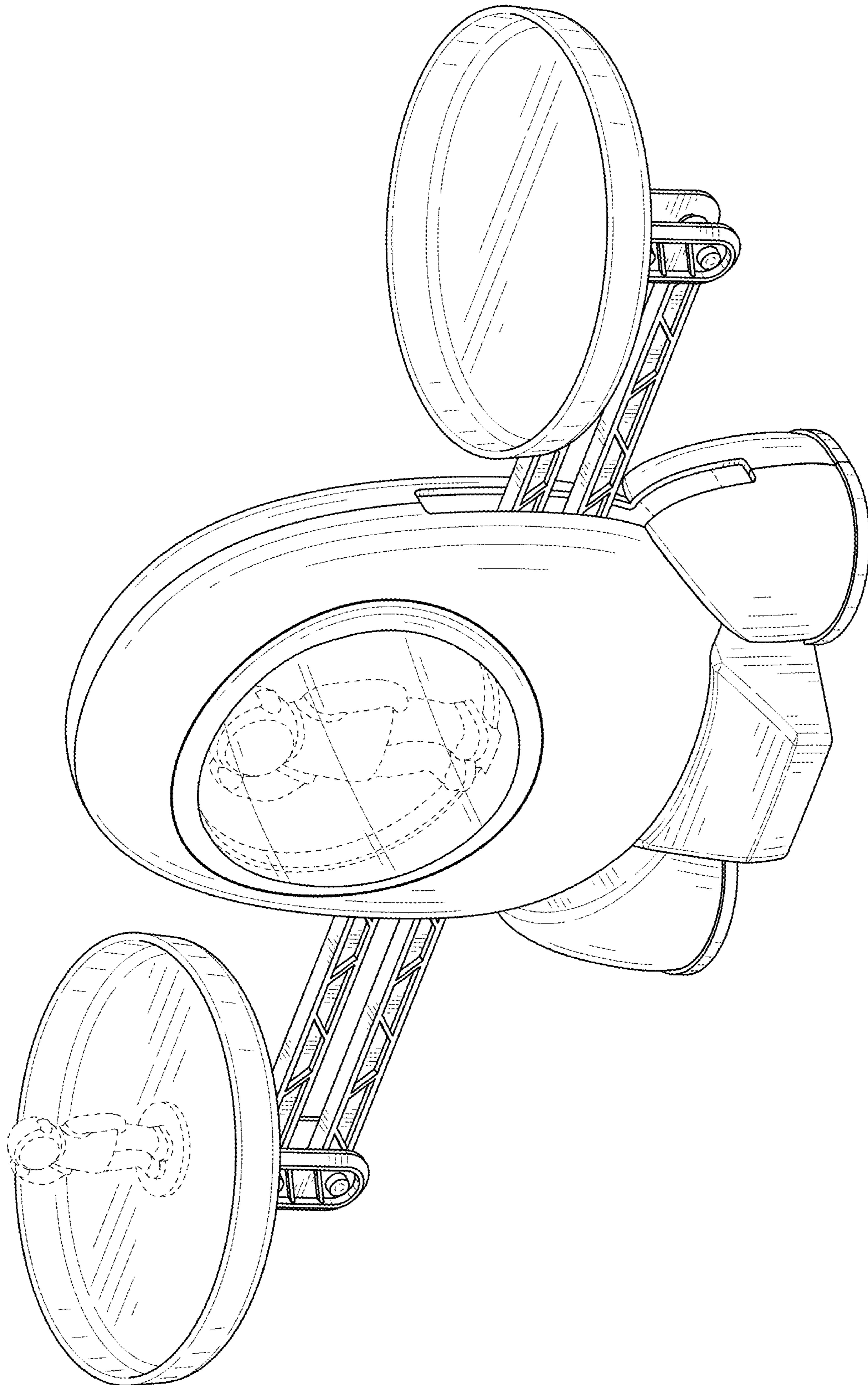


FIG. 9