



US00D910779S

(12) **United States Design Patent** (10) **Patent No.:** **US D910,779 S**
Ladner et al. (45) **Date of Patent:** **** Feb. 16, 2021**

(54) **TOY CHEST**

FOREIGN PATENT DOCUMENTS

(71) Applicants: **Joseph Ladner**, Riceville, TN (US);
Kelcy P. Ladner, Riceville, TN (US)

CN 305081993 * 3/2019

(72) Inventors: **Joseph Ladner**, Riceville, TN (US);
Kelcy P. Ladner, Riceville, TN (US)

OTHER PUBLICATIONS

(**) Term: **15 Years**

Olive Kids Dinosaur Land Toy Chest | Bed Bath & Beyond, Bed Bath & Beyond website 2019, site visited Dec. 8, 2019, <https://www.bedbathandbeyond.com/store/product/olive-kids-dinosaur-land-toy-chest/106> . . . *

(21) Appl. No.: **29/643,872**

Rubbermaid Plastic Dinosaur Toy Box, ebay website 2019, <https://www.ebay.com/c/8030326770>, site visited Dec. 8, 2019.*

(22) Filed: **Apr. 12, 2018**

Toy Story Andys Toy Chest Rex 1.5 Minifigure Loose Mattel—ToyWiz 2020, <https://toywiz.com/toy-story-andys-toy-chest-rex-15-inch-minifigure-loose/> site visited Dec. 4, 2020.*

(51) **LOC (13) Cl.** **21-01**

(52) **U.S. Cl.**

USPC **D21/519**; D6/665

* cited by examiner

(58) **Field of Classification Search**

USPC D21/519–522, 523–524, 528, 530, 532,
D21/586, 814, 816, 820, 827, 615, 611,
D21/582, 447, 405, 409; D6/707, 707.22,
D6/664–667, 667.1; D23/272
CPC A47C 31/11; A47C 13/00; A47C 7/62;
A63H 33/3055; A63H 33/30; A63H
33/003; A63H 5/00; A63H 33/04; A47D
11/00

Primary Examiner — John R Yeh

(74) *Attorney, Agent, or Firm* — Withers & Keys, LLC

See application file for complete search history.

(57) **CLAIM**

The ornamental design for a toy chest, as shown and described.

(56) **References Cited**

DESCRIPTION

U.S. PATENT DOCUMENTS

D215,058 S *	8/1969	Hill	D21/814
D251,325 S *	3/1979	Appel	D21/409
D253,543 S *	11/1979	Ferguson		
5,080,626 A *	1/1992	Maddi	A63H 3/14 446/329
D353,663 S *	12/1994	Curren	D21/615
D357,300 S *	4/1995	Maynard	D21/820
D378,395 S *	3/1997	Olson	D21/820
D383,266 S *	9/1997	Emanoff		
D521,080 S *	5/2006	Lau	D21/530
D663,792 S *	7/2012	Wong	D21/578
D704,777 S *	5/2014	Nguyen	D21/576
D762,271 S *	7/2016	Chow	D21/578
D798,967 S *	10/2017	Tompkin	D21/615
D836,170 S *	12/2018	Tompkin	D21/615

FIG. 1 is a front, perspective view of a toy chest showing our new design;

FIG. 2 is a rear, perspective view thereof;

FIG. 3 is a right side view thereof;

FIG. 4 is a left side view thereof;

FIG. 5 is a front view thereof;

FIG. 6 is a rear view thereof;

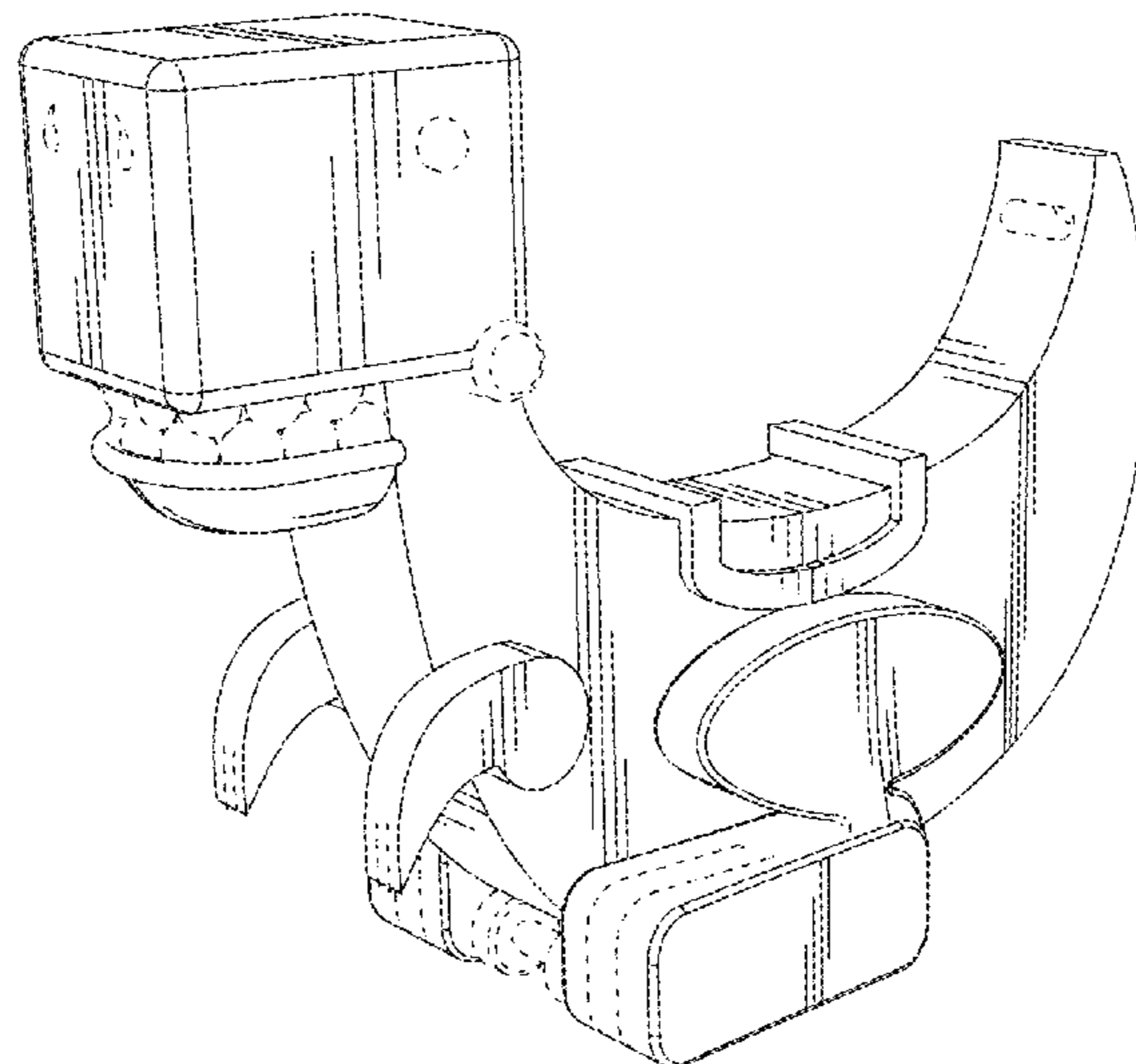
FIG. 7 is a top view thereof;

FIG. 8 is a bottom view thereof; and,

FIG. 9 is another front, perspective view of the toy chest with the mouth and seat sections shown in an open configuration.

The broken lines illustrate portions of the toy chest that form no part of the claimed design.

1 Claim, 9 Drawing Sheets



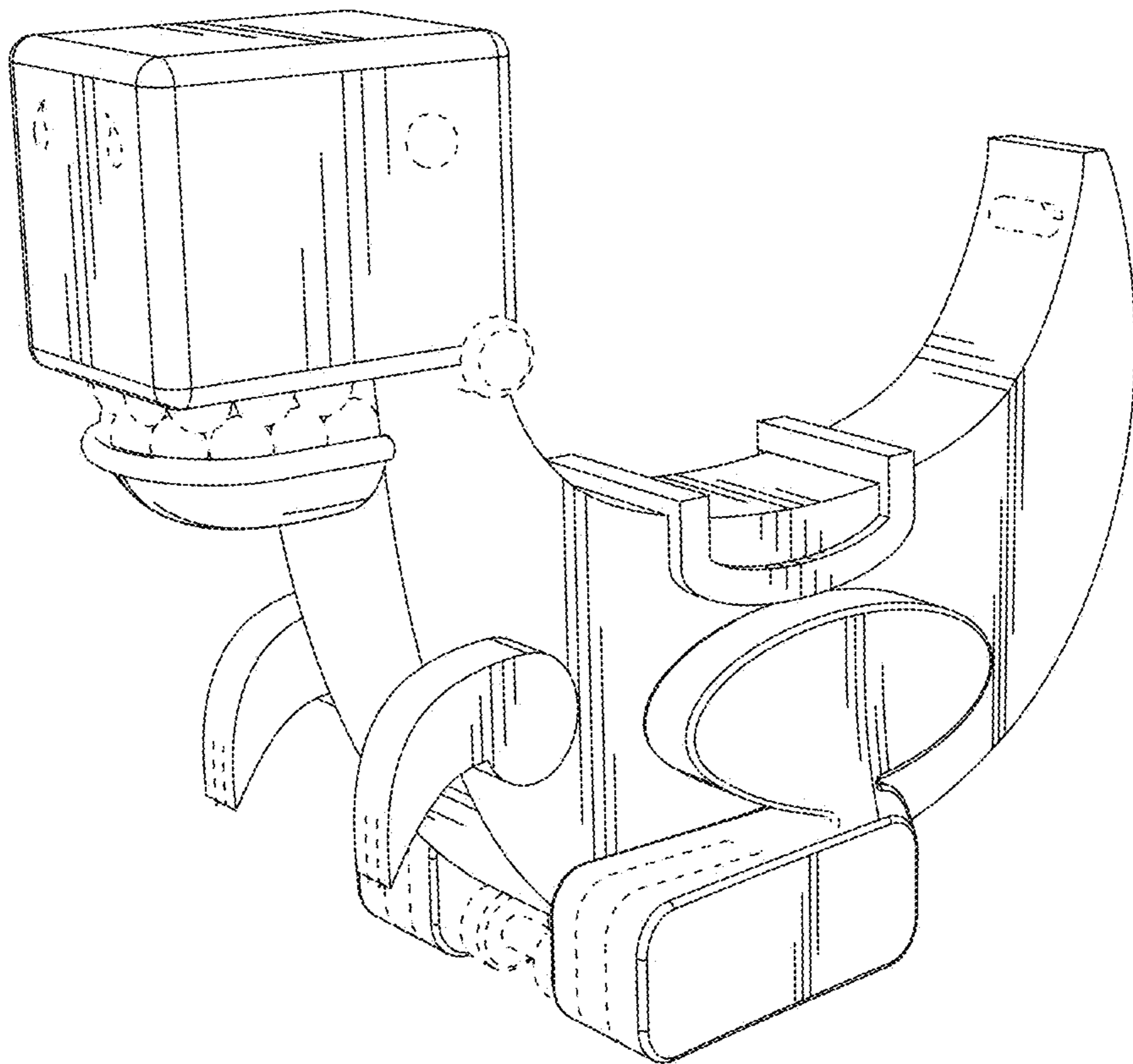


FIG. 1

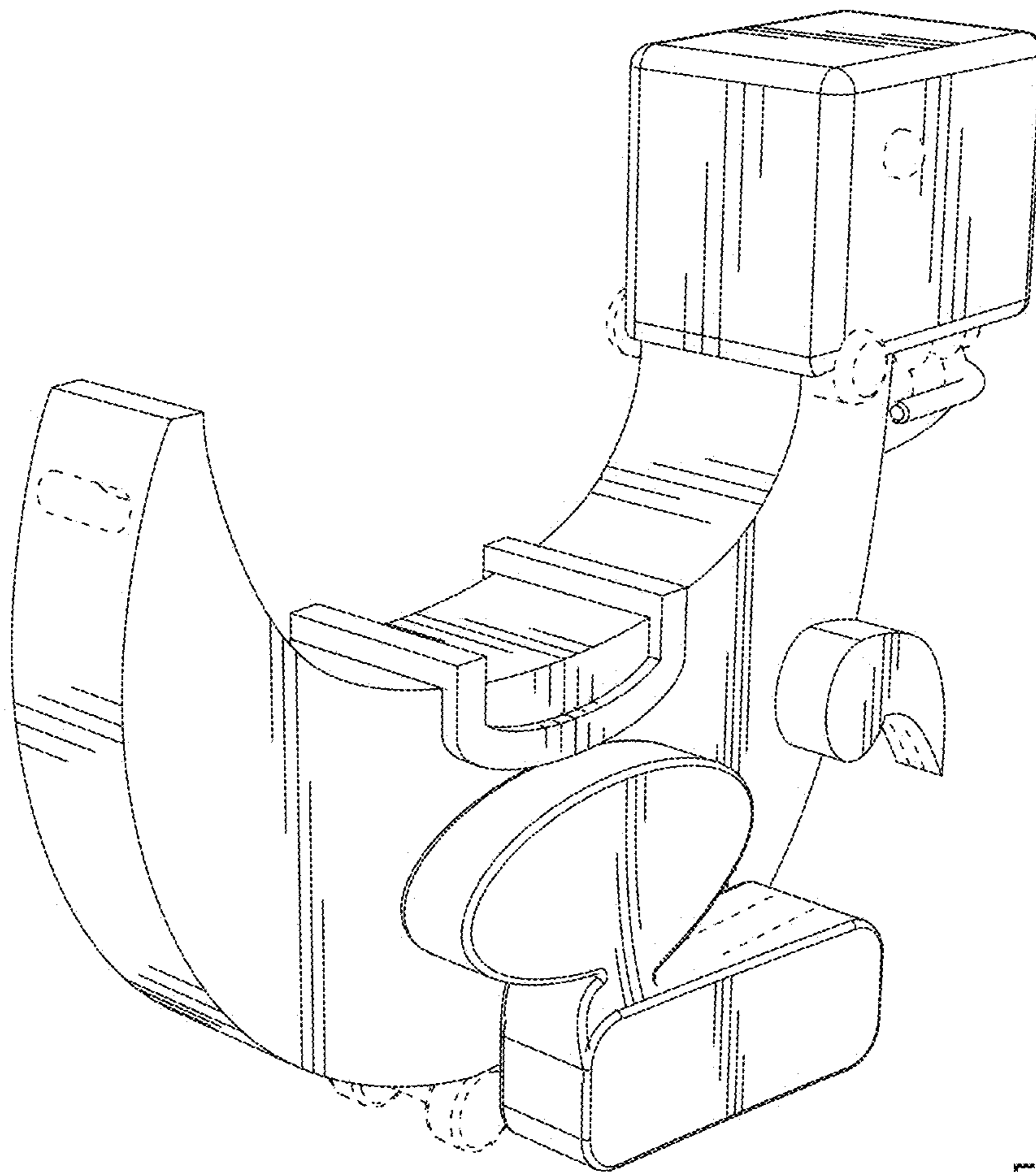


FIG. 2

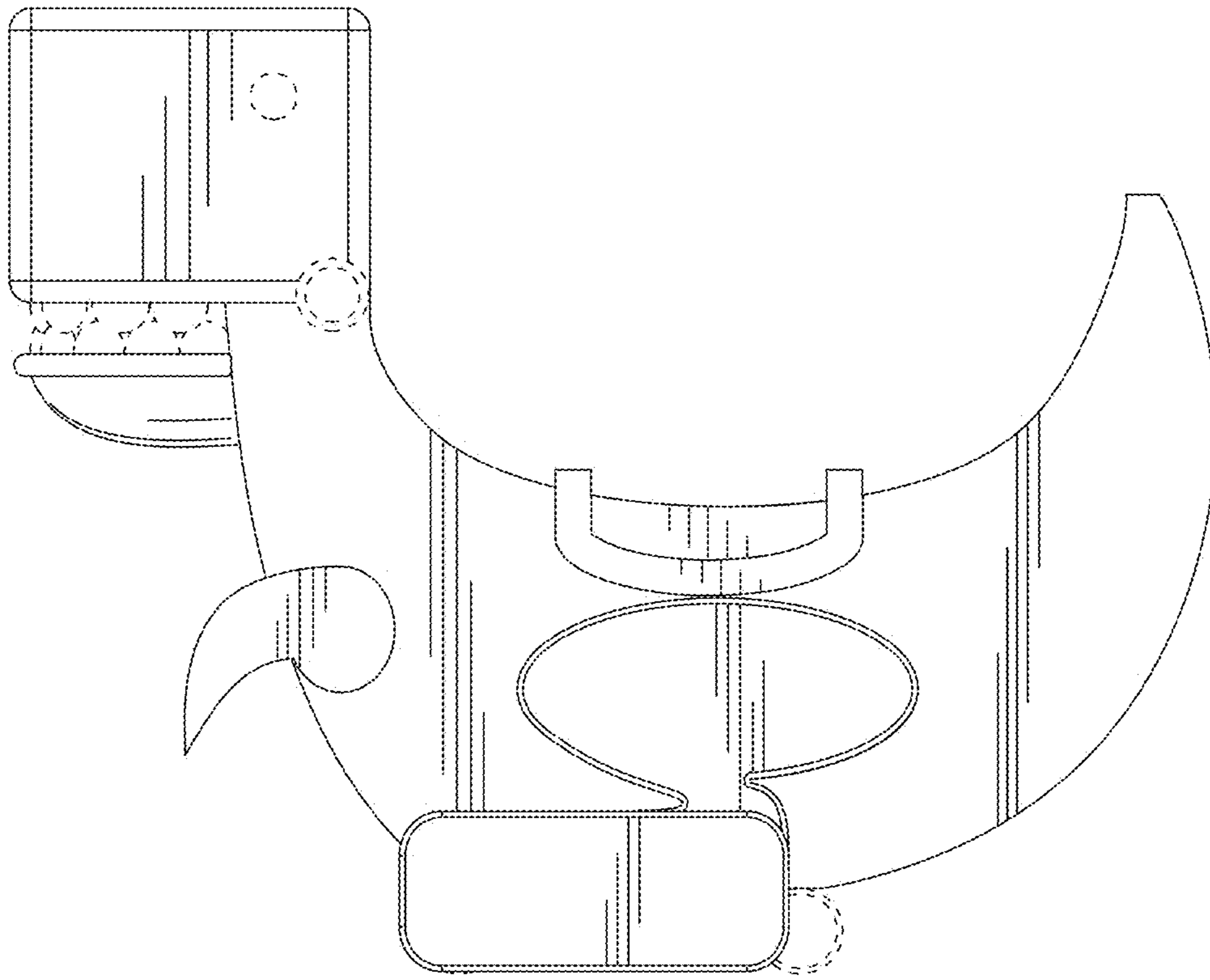


FIG. 3

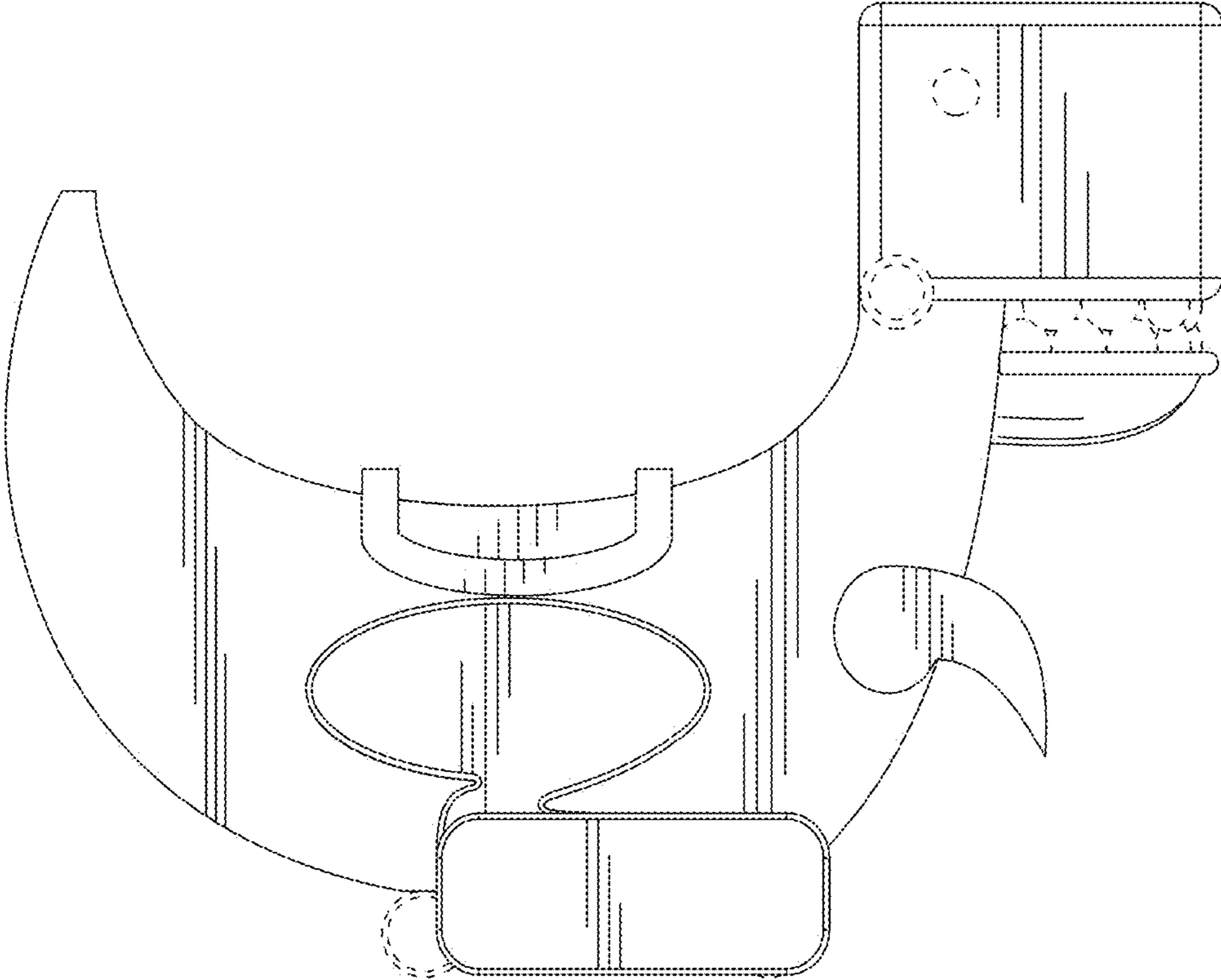


FIG. 4

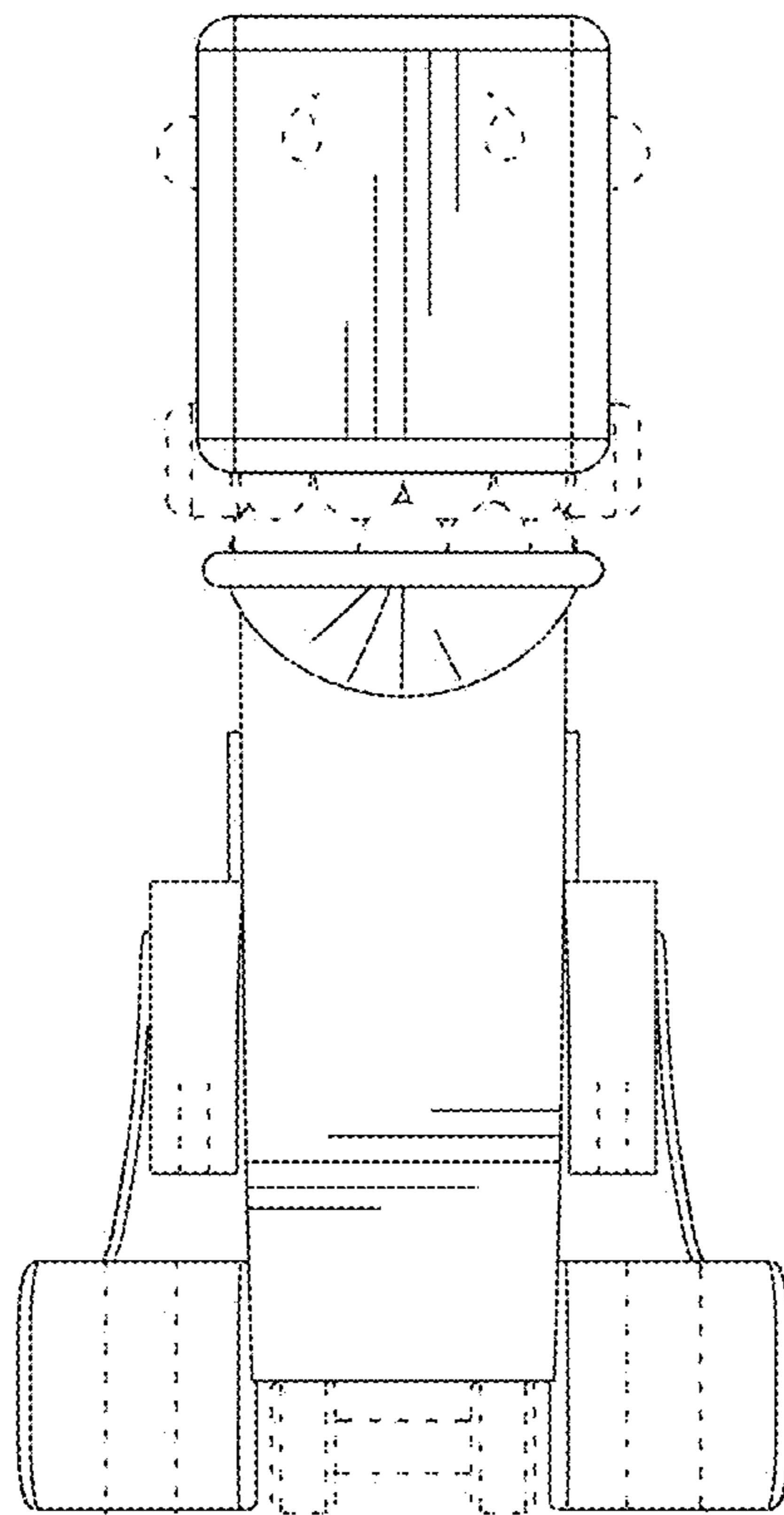


FIG. 5

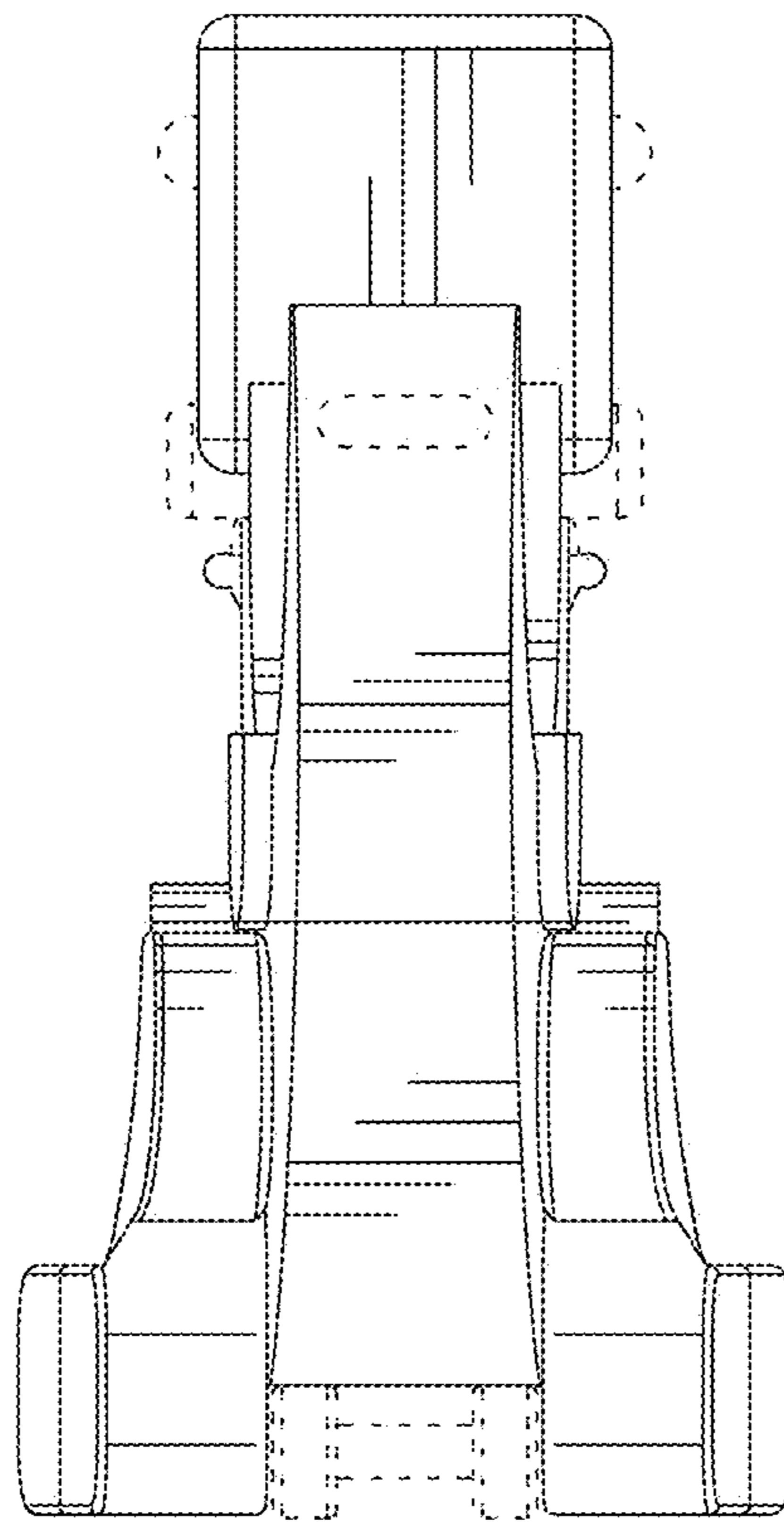


FIG. 6

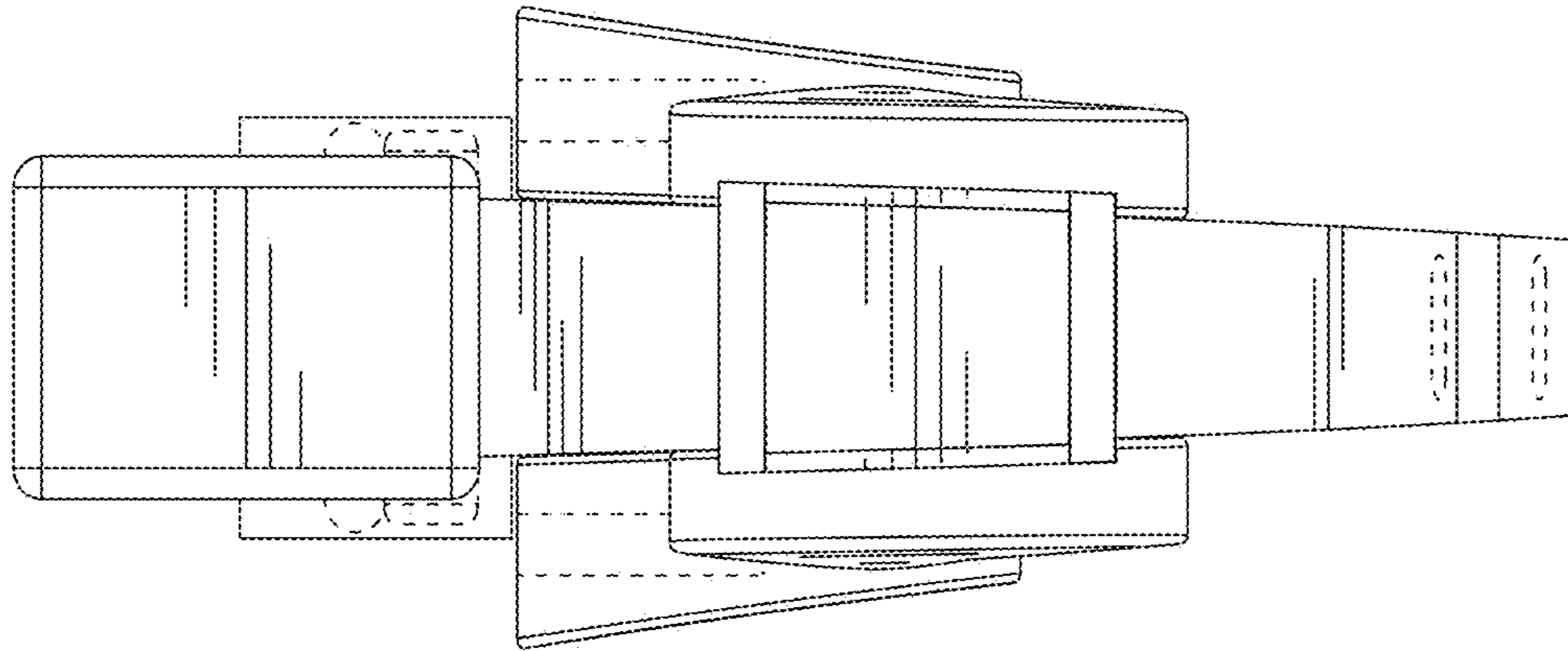


FIG. 7

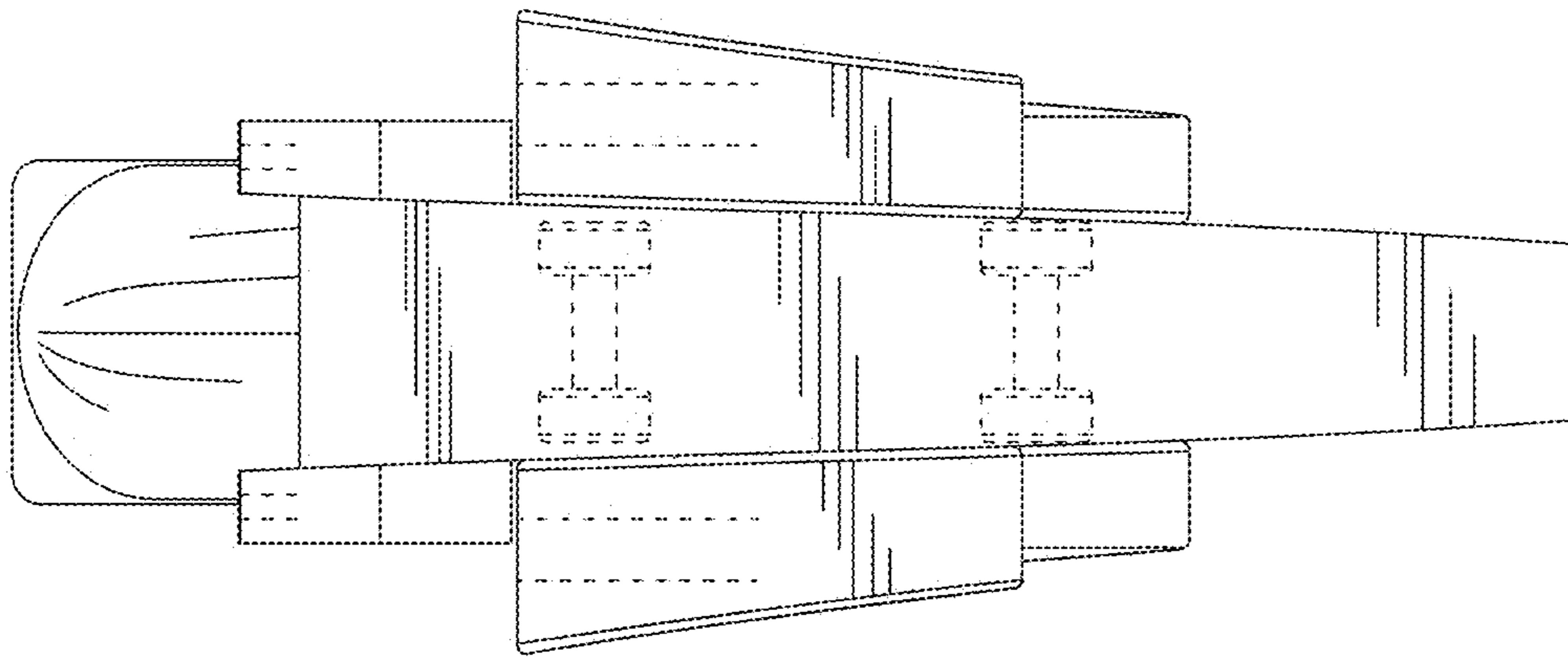


FIG. 8

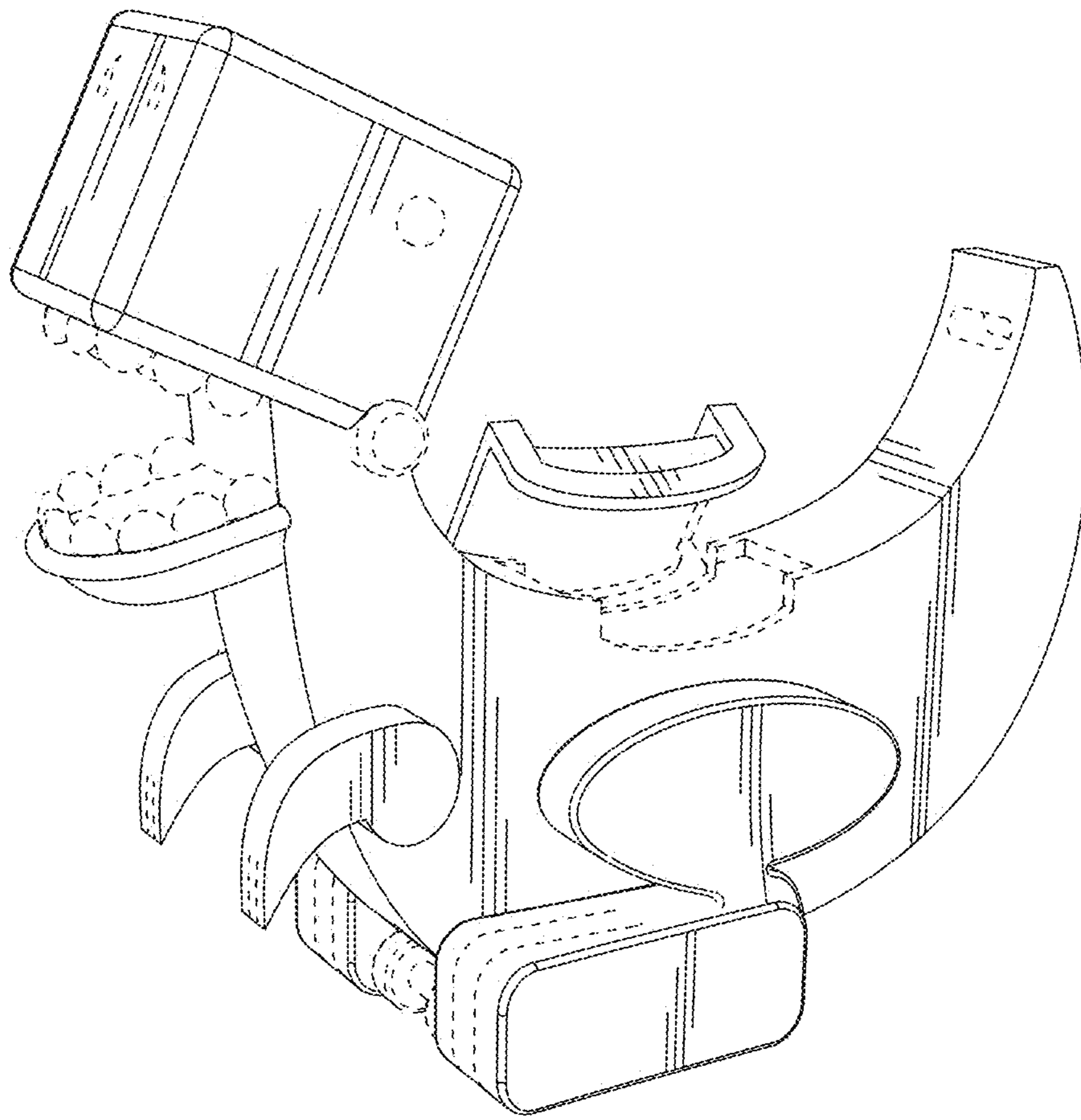


FIG. 9