



US00D910778S

(12) **United States Design Patent**
Hwang et al.

(10) **Patent No.:** **US D910,778 S**

(45) **Date of Patent:** **** Feb. 16, 2021**

- (54) **CONSTRUCTION SET ELEMENT**
- (71) Applicant: **LEGO A/S**, Billund (DK)
- (72) Inventors: **Byeongjun Hwang**, Ansan-si (KR);
Kyoungbae Na, Suwon-si (KR)
- (73) Assignee: **LEGO A/S**, Billund (DK)
- (**) Term: **15 Years**
- (21) Appl. No.: **29/693,277**
- (22) Filed: **May 31, 2019**
- (51) **LOC (13) Cl.** **21-01**
- (52) **U.S. Cl.**
USPC **D21/501**; D21/486
- (58) **Field of Classification Search**
USPC D21/468, 470, 471, 478, 479, 484–505
CPC A63H 33/04; A63H 33/044; A63H 33/06;
A63H 33/062; A63H 33/086; A63H
33/088; A63H 33/10; A63H 33/101;
A63H 33/108; A63H 33/12
See application file for complete search history.

- D368,497 S * 4/1996 Schmidt D21/501
- D370,035 S * 5/1996 Olsen D21/491
- D374,258 S * 10/1996 Schmidt D21/486
- 6,461,215 B1 * 10/2002 Kunz A63H 33/042
446/102
- 10,343,079 B1 * 7/2019 Semling A63H 33/108

OTHER PUBLICATIONS

BRICKLINK, “Technic, Brick 1x8 with Holes, Item No. 3702”, Accessed online on Jun. 4, 2019, at <<<https://www.bricklink.com/v2/catalog/catalogitem.page?P=3702#T=C>>> “Years Released: 1977-2019”.

* cited by examiner

Primary Examiner — Cynthia M. Chin

(74) *Attorney, Agent, or Firm* — Valeriya Svystun; Day Pitney LLP

(57) **CLAIM**

We claim the ornamental design for a construction set element, as shown and described.

DESCRIPTION

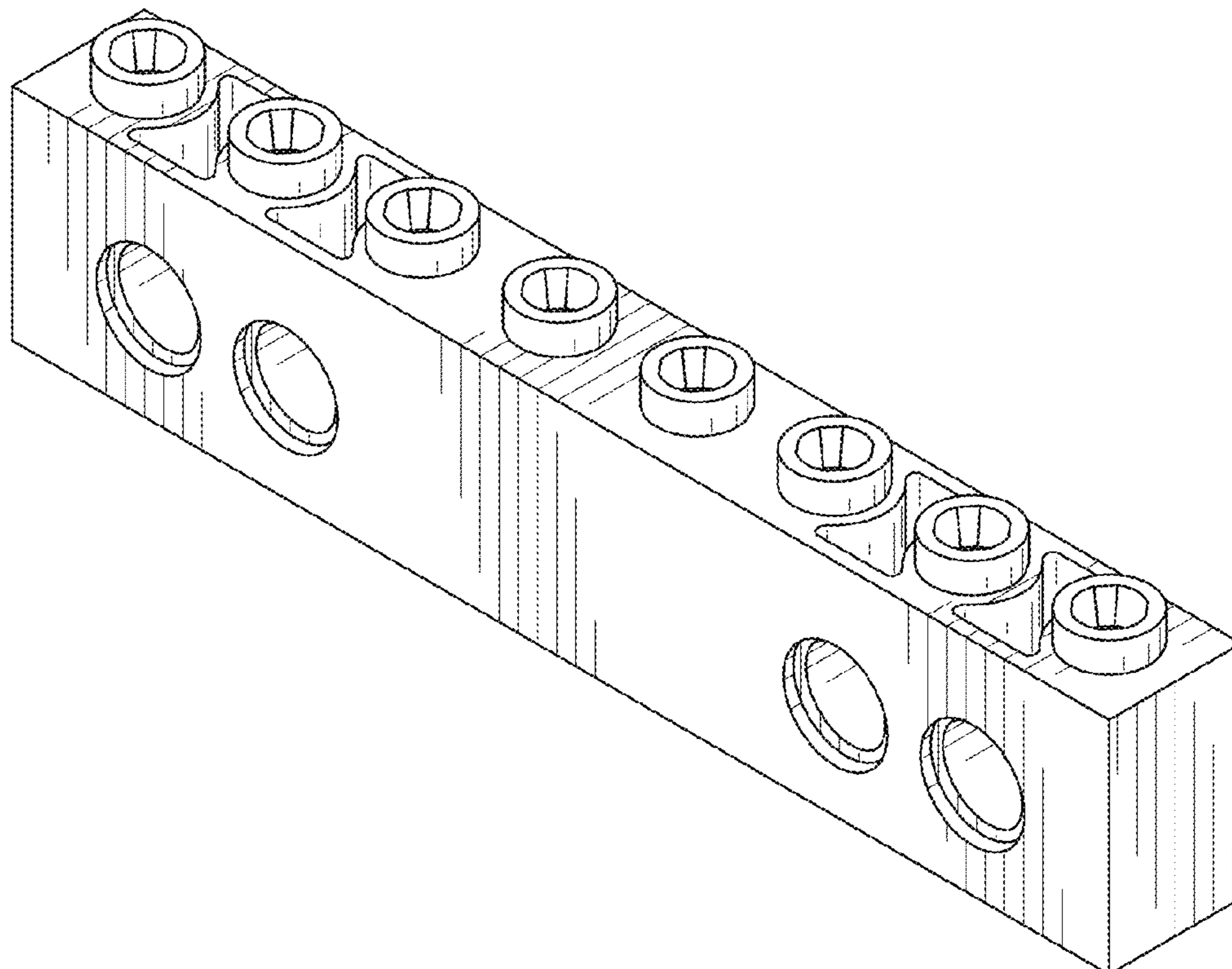
FIG. 1 is a top perspective view of a construction set element, showing our new design;
FIG. 2 is a bottom perspective view thereof;
FIG. 3 is a front elevational view thereof;
FIG. 4 is a rear elevational view thereof;
FIG. 5 is a left side elevational view thereof;
FIG. 6 is a right side elevational view thereof;
FIG. 7 is a top plan view thereof;
FIG. 8 is a bottom plan view thereof; and,
FIG. 9 is a length-wise sectional view taken from FIG. 1.

1 Claim, 5 Drawing Sheets

(56) **References Cited**

U.S. PATENT DOCUMENTS

- D285,813 S * 9/1986 Takahashi D21/501
- D308,706 S * 6/1990 Mikkelsen D21/486
- D324,084 S * 2/1992 Knudsen D21/500
- D336,120 S * 6/1993 Knudsen D21/500
- D359,523 S * 6/1995 Yeung D21/501



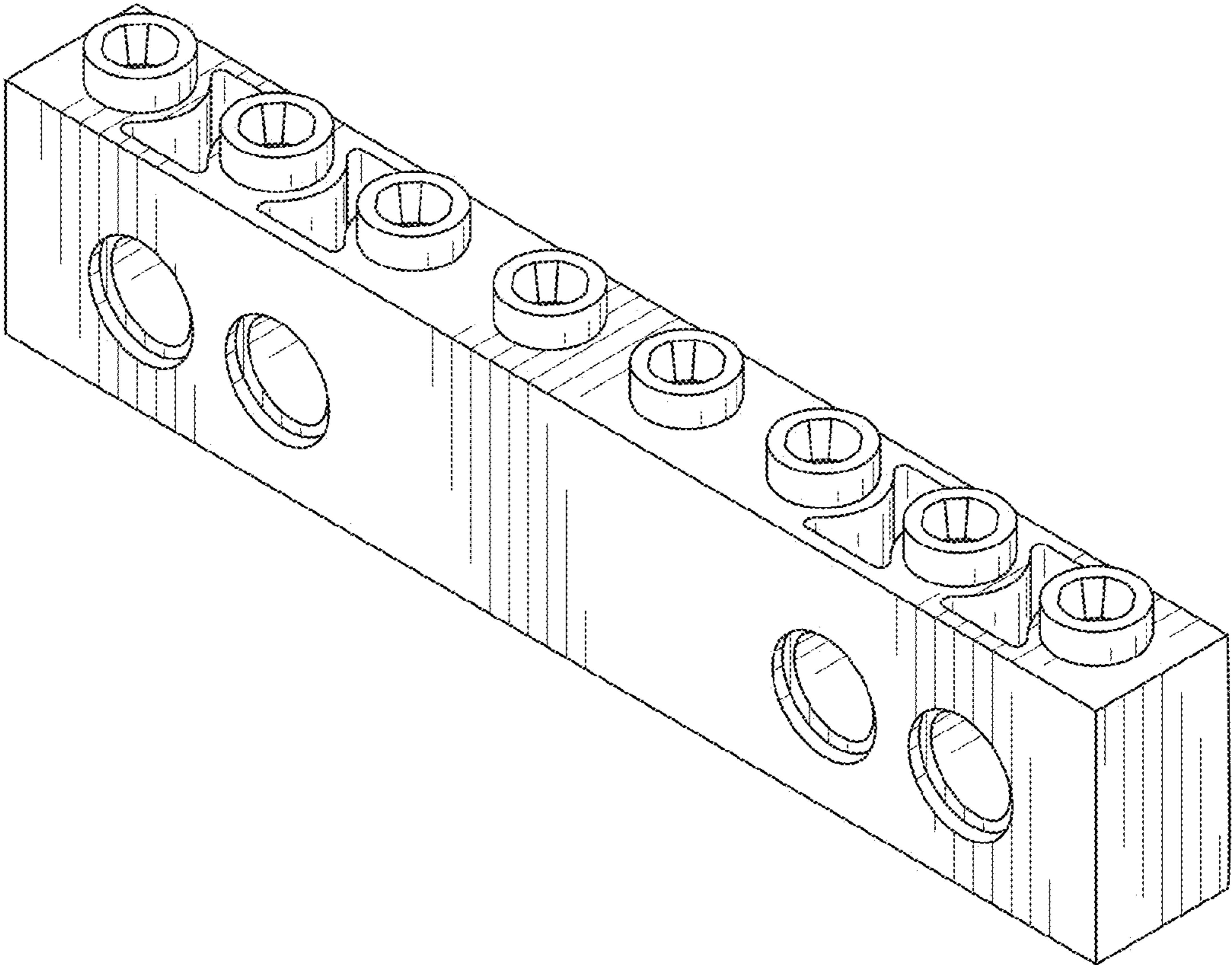


FIG. 1

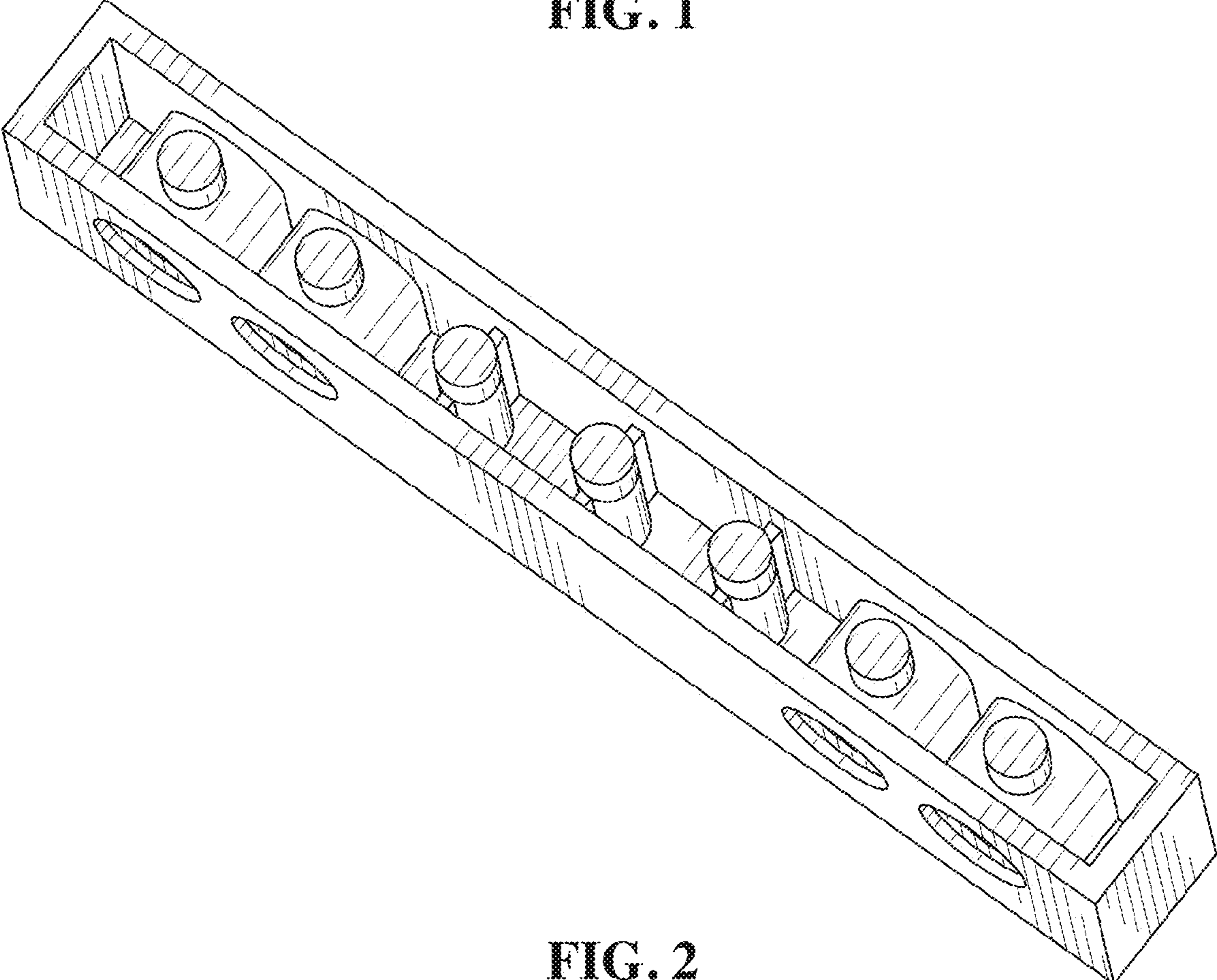


FIG. 2

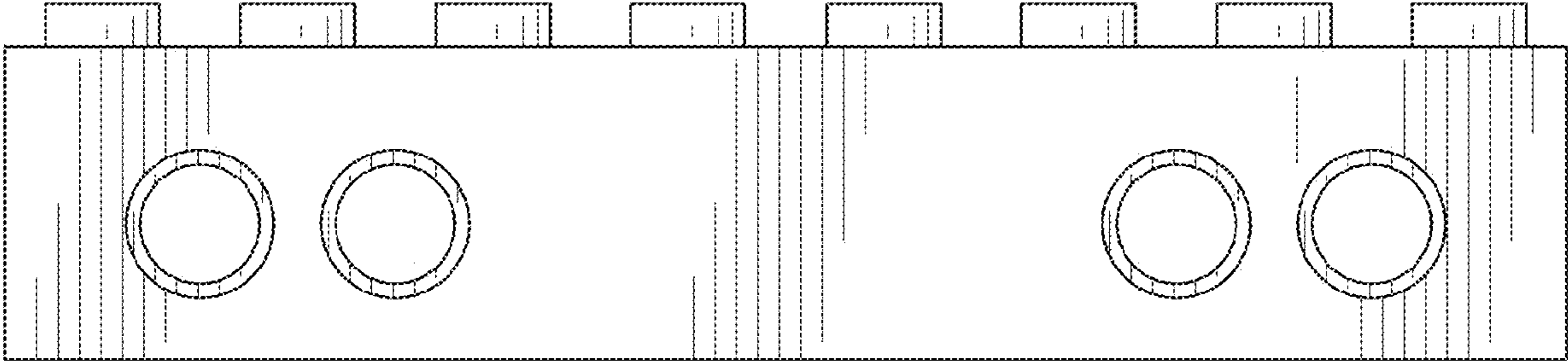


FIG. 3

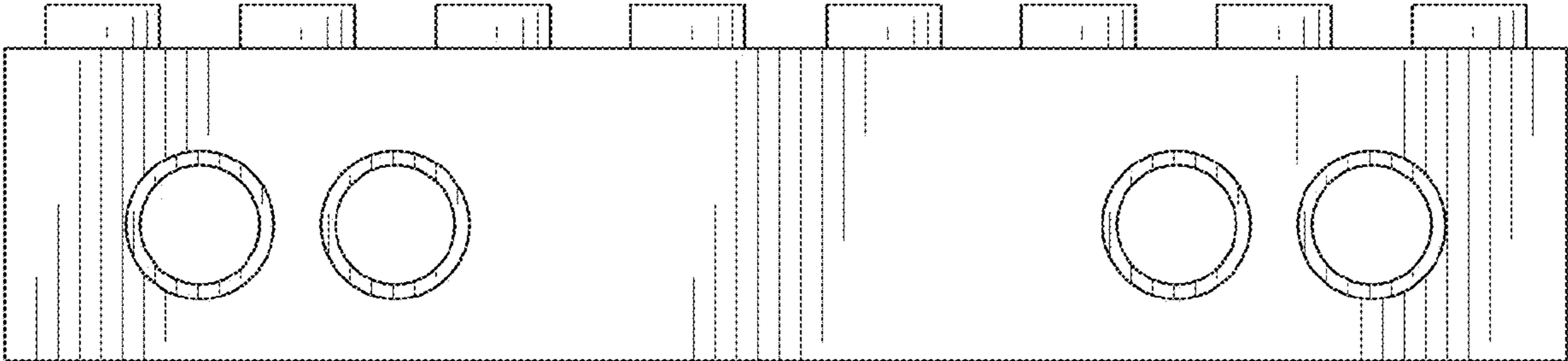


FIG. 4

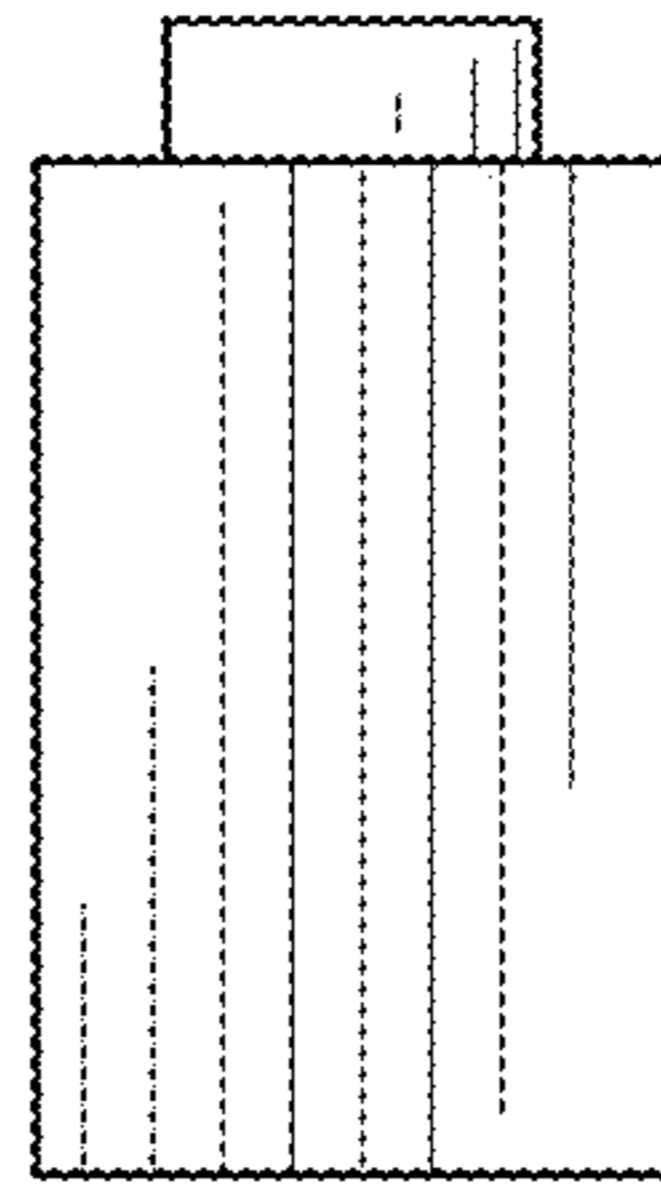


FIG. 5

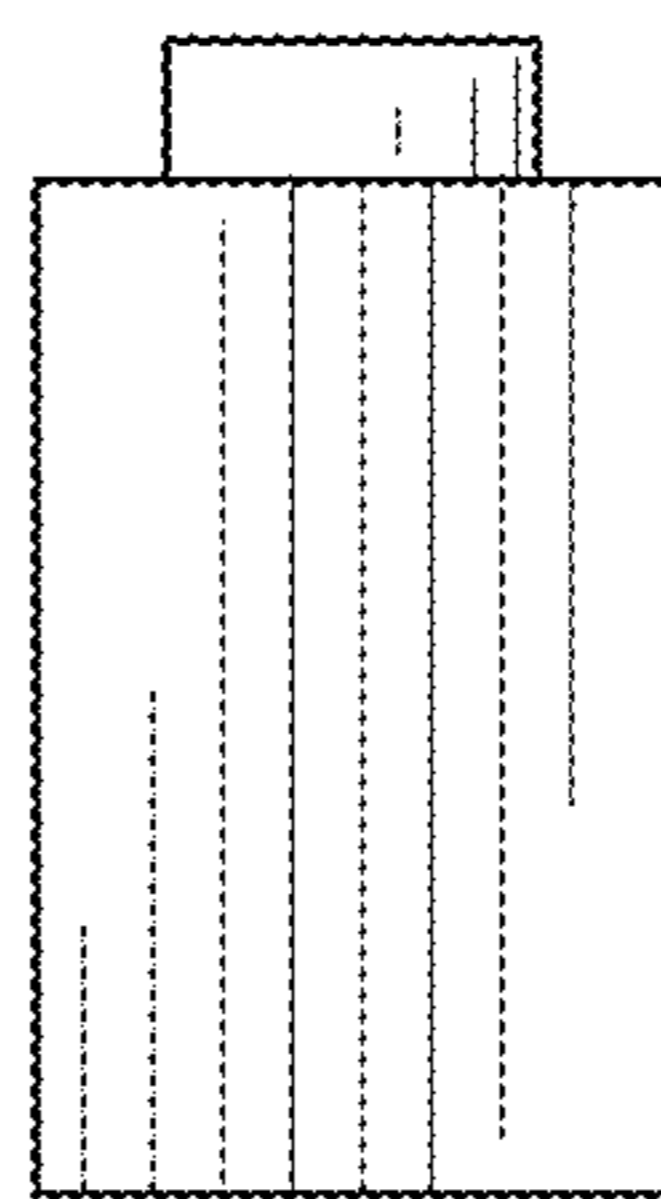


FIG. 6

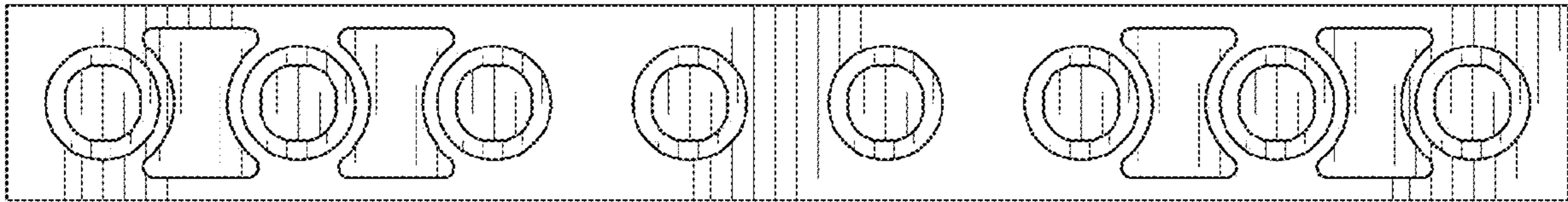


FIG. 7

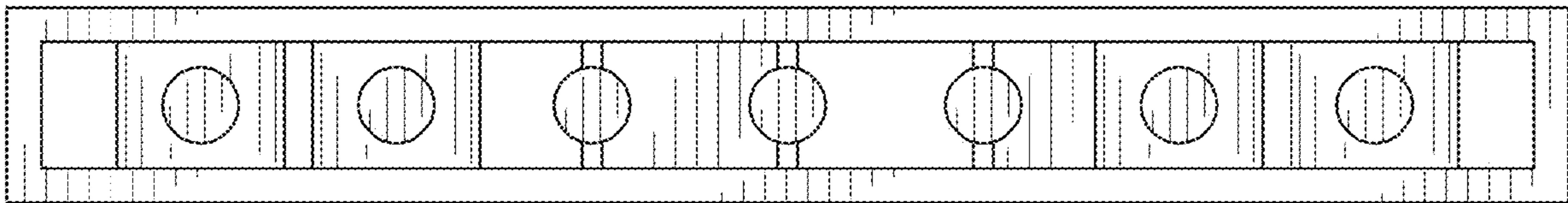


FIG. 8

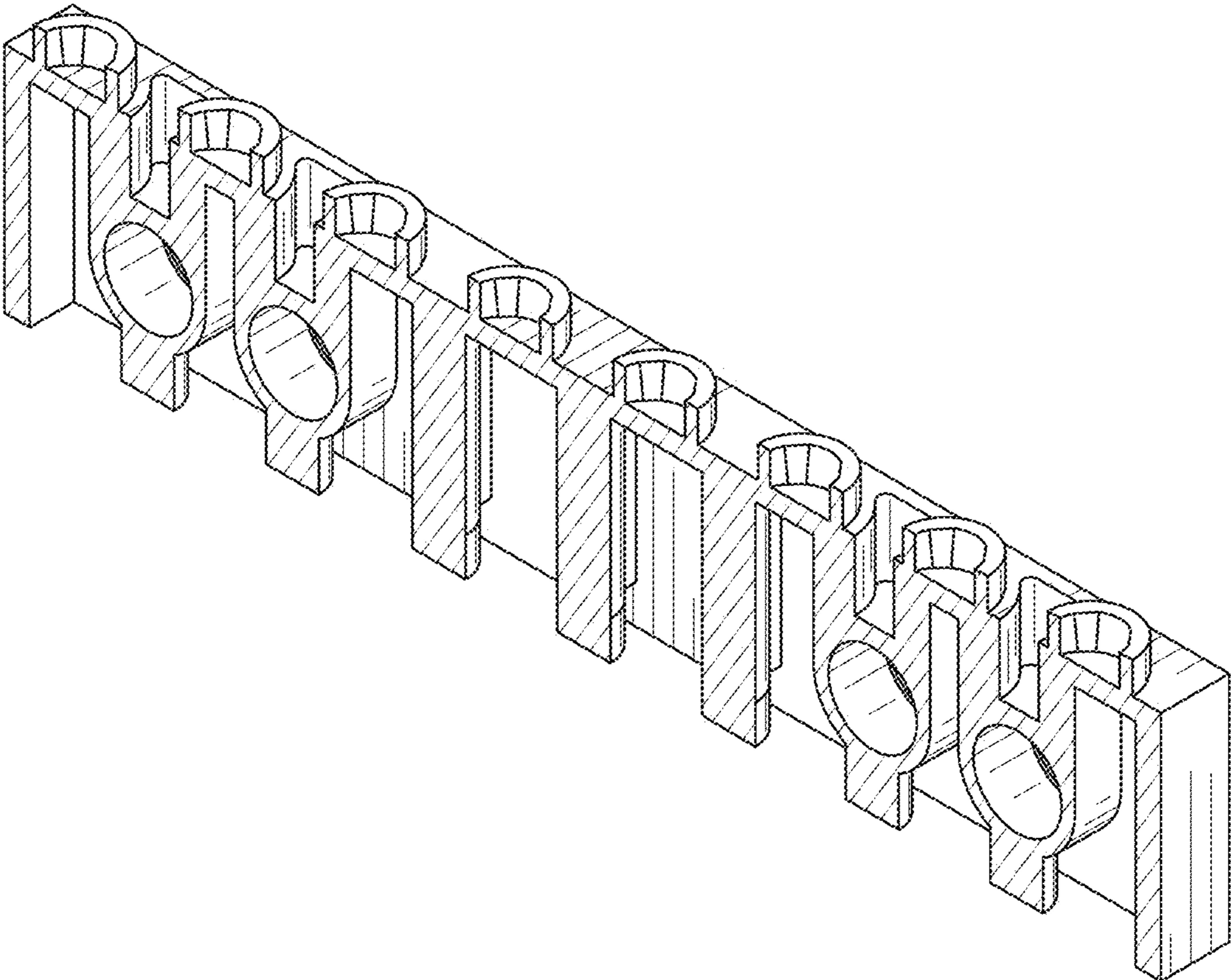


FIG. 9