



US00D910776S

(12) **United States Design Patent**
Chen

(10) **Patent No.:** **US D910,776 S**

(45) **Date of Patent:** **** Feb. 16, 2021**

- (54) **TOY**
- (71) Applicant: **Zhiwei Chen**, Shantou (CN)
- (72) Inventor: **Zhiwei Chen**, Shantou (CN)
- (**) Term: **15 Years**
- (21) Appl. No.: **29/728,849**
- (22) Filed: **Mar. 21, 2020**
- (51) **LOC (13) Cl.** **21-01**
- (52) **U.S. Cl.**
USPC **D21/474**
- (58) **Field of Classification Search**
USPC D21/398, 401, 407, 455, 468, 473-476;
446/153, 159, 176, 177, 217, 218, 227,
446/236, 424, 475, 487
CPC A63H 23/00; A63H 23/10; A63H 23/14;
A63H 23/16; A63H 29/10; A63H 29/12;
A63H 29/14; A63H 33/00; A63H 33/006;
A63H 33/28; A63H 33/30; A63H
33/3038; A63H 33/42
See application file for complete search history.

- 6,782,567 B1 * 8/2004 Austin A63H 23/10
4/496
- 7,252,510 B1 * 8/2007 Basu G09B 5/06
434/169
- D627,009 S 11/2010 Lu
- D739,468 S 9/2015 Champ
- D810,206 S * 2/2018 Weisman D21/473
- D829,284 S * 9/2018 Zanger D21/473
- D871,514 S 12/2019 Weisman et al.
- 2010/0323581 A1 * 12/2010 Goszewski A63H 33/006
446/227
- 2013/0181067 A1 7/2013 Todokoro
(Continued)

FOREIGN PATENT DOCUMENTS

- CN 207076130 3/2018
 - CN 304593868 * 4/2018
 - CN 304835373 * 9/2018
- (Continued)

Primary Examiner — Catherine A Tuttle
(74) *Attorney, Agent, or Firm* — Law Offices of Steven
W. Weinrieb

(57) **CLAIM**

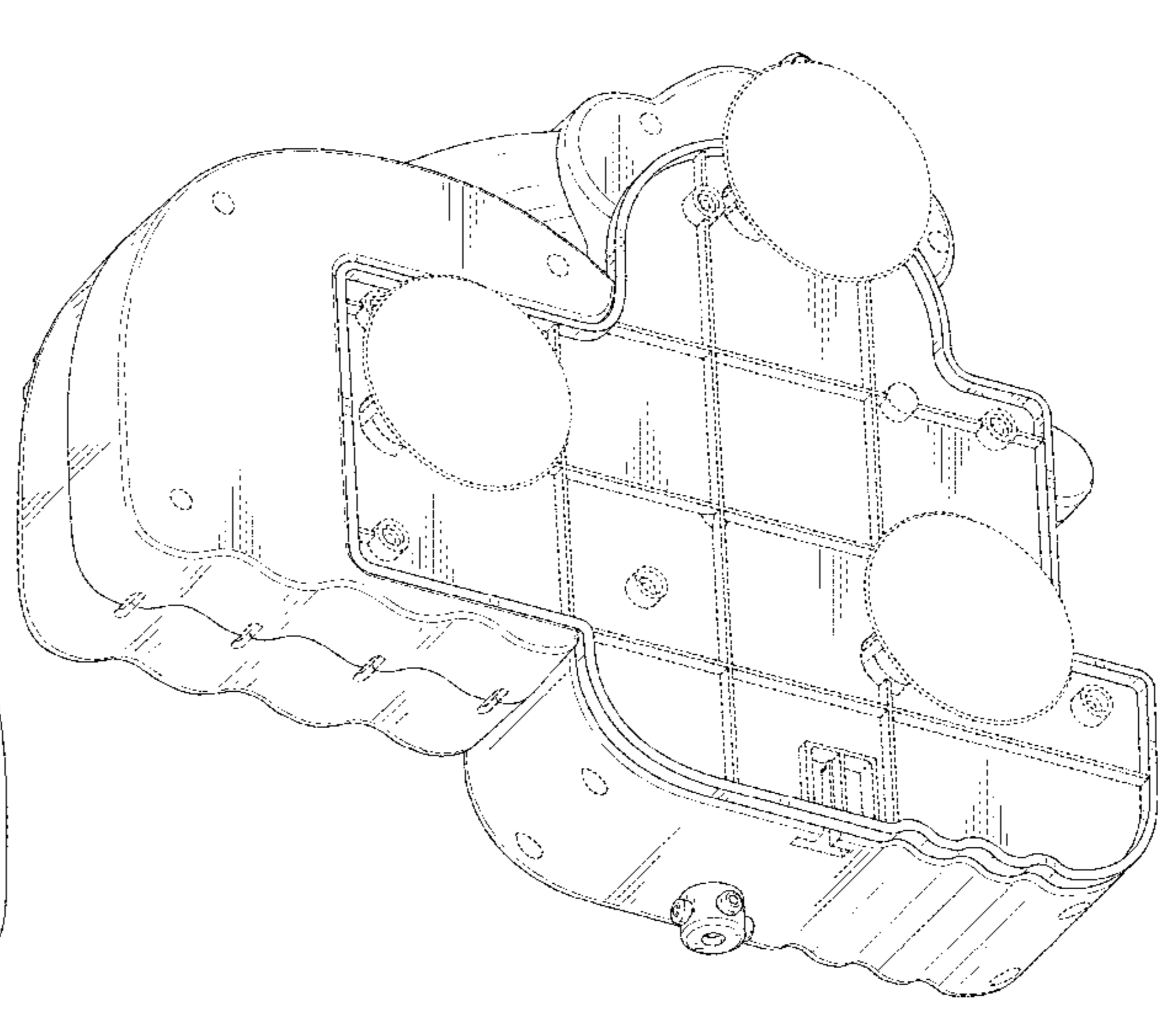
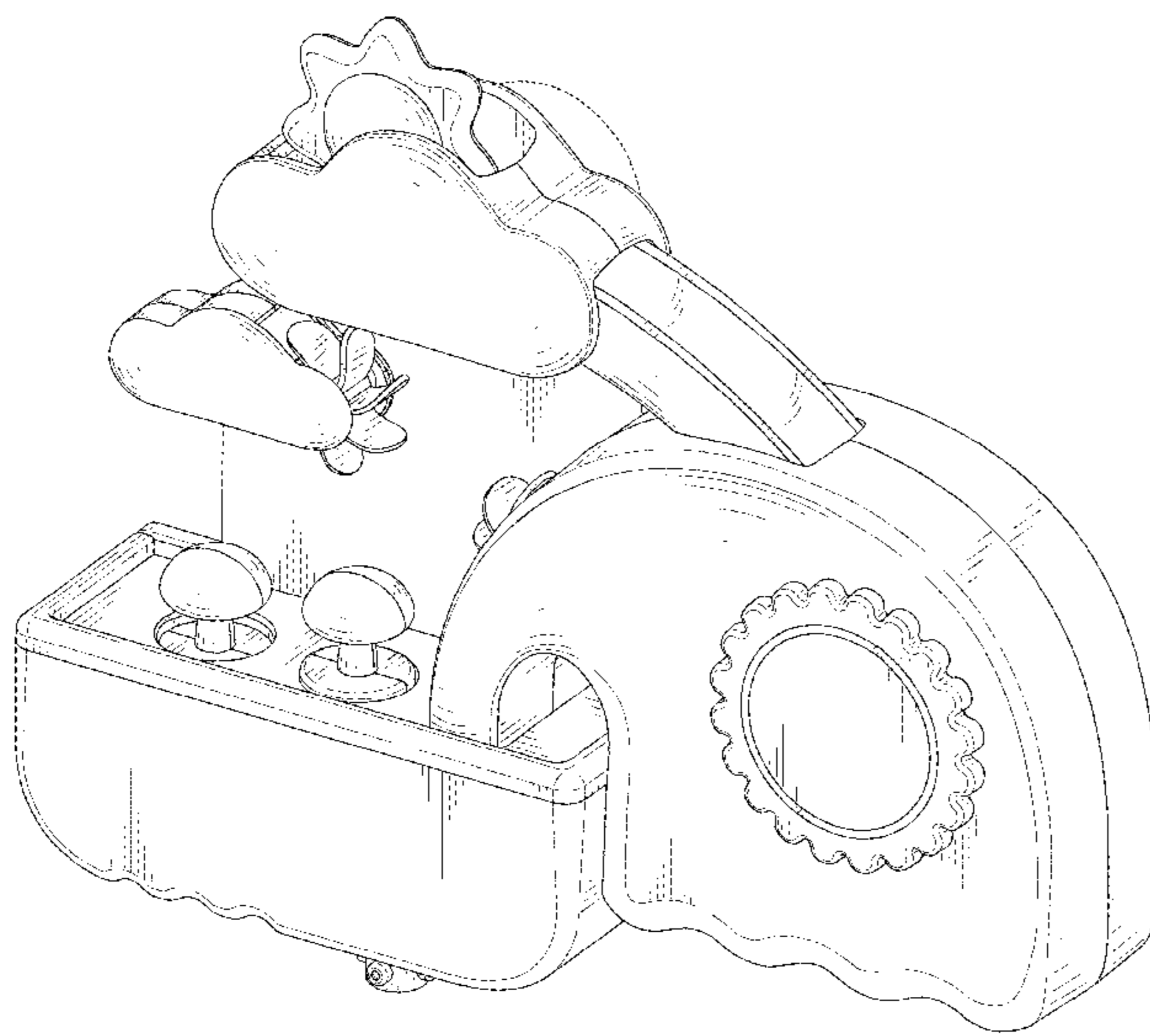
The ornamental design for a toy, as shown and described.

DESCRIPTION

FIG. 1 is a front, right side, top perspective view of a toy showing my new design;
FIG. 2 is a rear, right side, bottom perspective view thereof;
FIG. 3 is a front elevational view thereof;
FIG. 4 is a rear elevational view thereof;
FIG. 5 is a left side elevational view thereof;
FIG. 6 is a right side elevational view thereof;
FIG. 7 is a top plan view thereof; and,
FIG. 8 is a bottom plan view thereof.
The broken lines depict portions of the toy that form no part of the claimed design.

1 Claim, 8 Drawing Sheets

- (56) **References Cited**
U.S. PATENT DOCUMENTS
D217,485 S * 5/1970 Kohner D21/474
3,577,675 A * 5/1971 Kohner A63H 23/10
446/199
D259,887 S 7/1981 Croushore
D262,550 S * 1/1982 Fisher D21/474
D275,974 S * 10/1984 Rivollet D21/474
D281,516 S * 11/1985 Wong D21/476
4,600,399 A * 7/1986 Abe A63H 33/006
40/414
4,689,032 A 8/1987 Trossman
D300,754 S * 4/1989 Ng D21/406
D317,333 S * 6/1991 Thomson D21/474
D374,691 S * 10/1996 Chow D21/476



(56)

References Cited

U.S. PATENT DOCUMENTS

2019/0069692 A1* 3/2019 Healy A47D 13/107

FOREIGN PATENT DOCUMENTS

CN	305631707	*	2/2020	
CN	305635821	*	3/2020	
DE	3803306	A1 *	8/1989 A63H 29/14
DE	202013103658	U1 *	10/2013 A63H 33/006
EP	1870145	A1 *	12/2007 A63H 23/10
JP	2014223556		12/2014	
KR	3020190000981	*	7/2019	

* cited by examiner

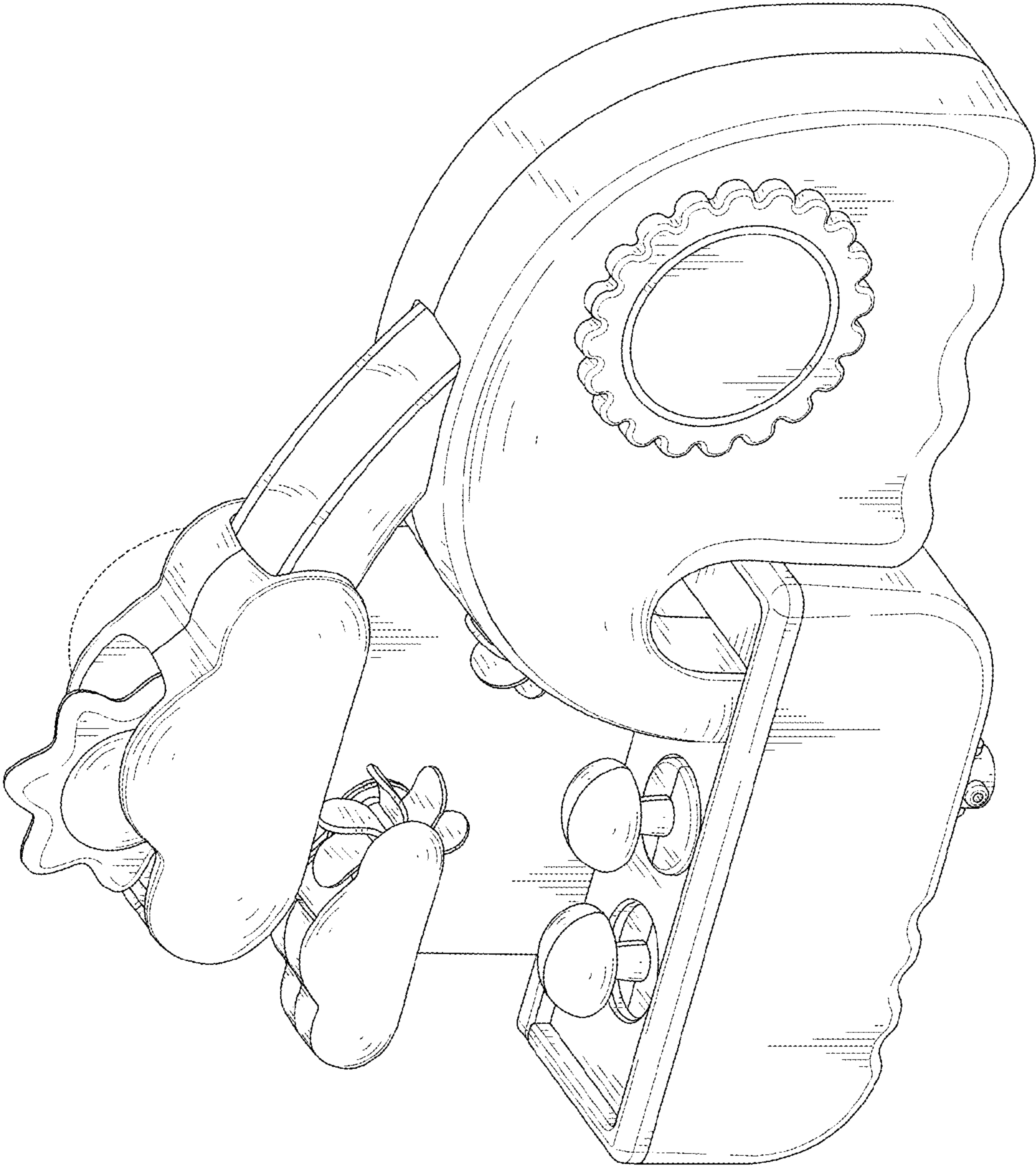


FIG. 1

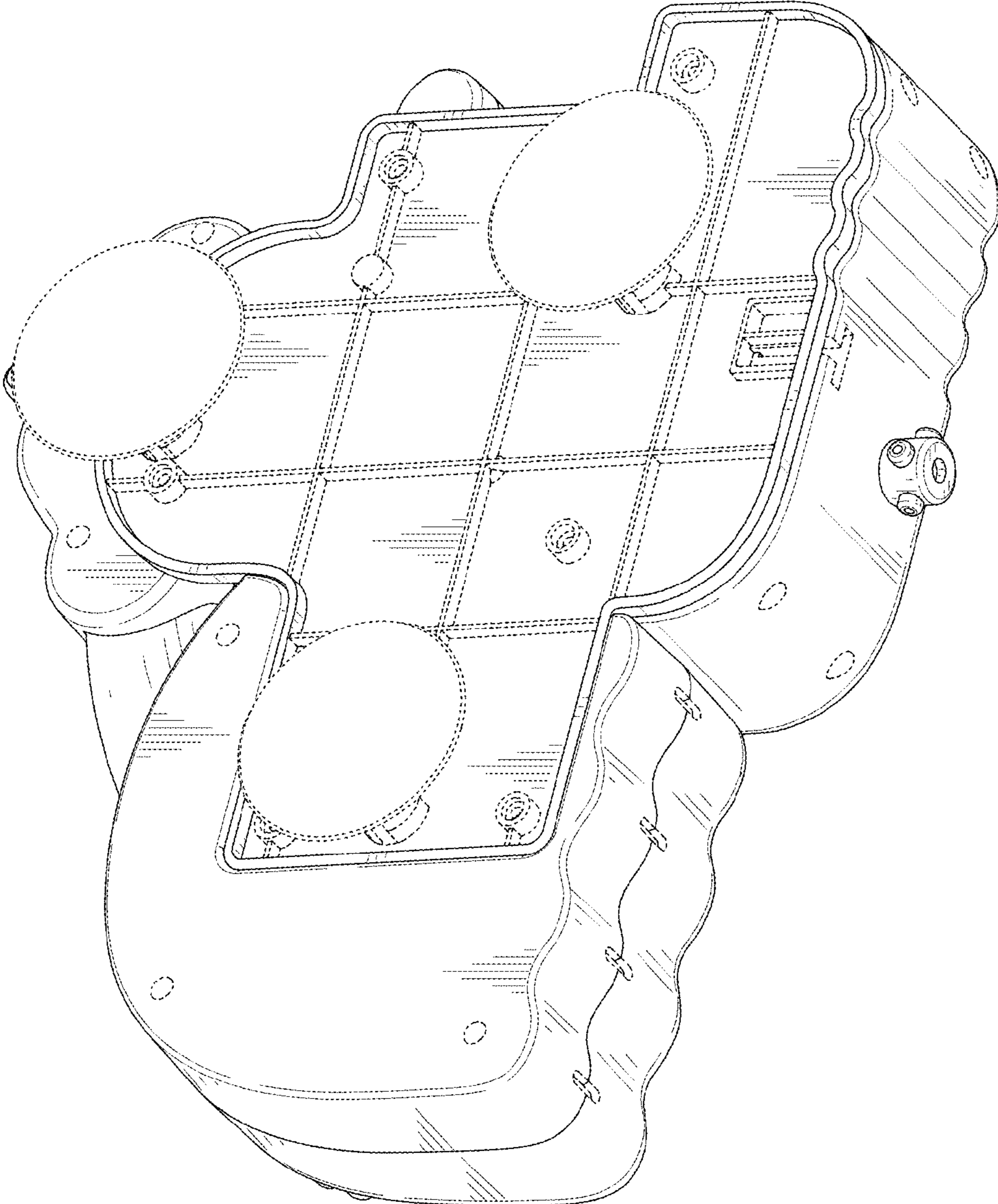


FIG. 2

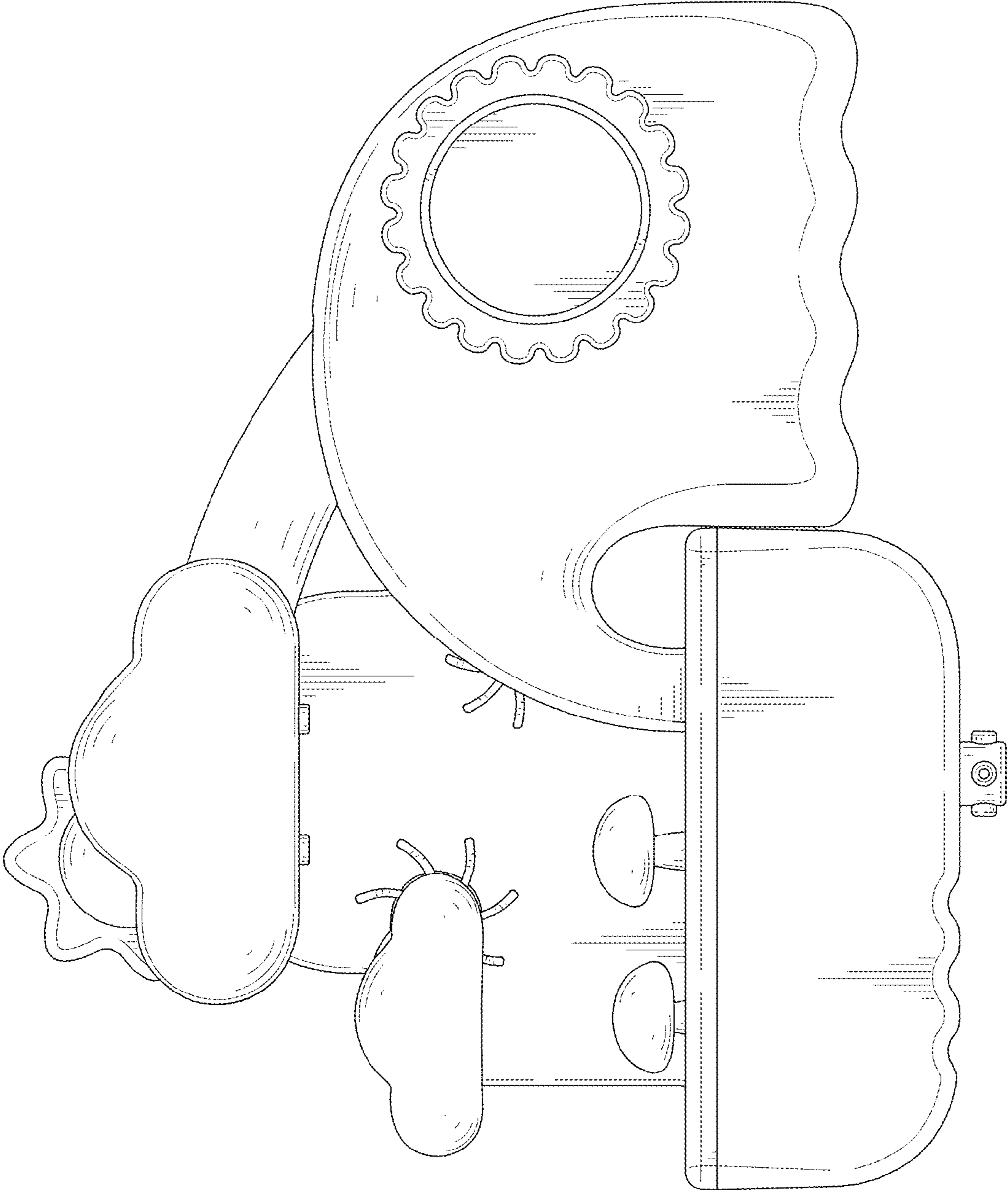


FIG. 3

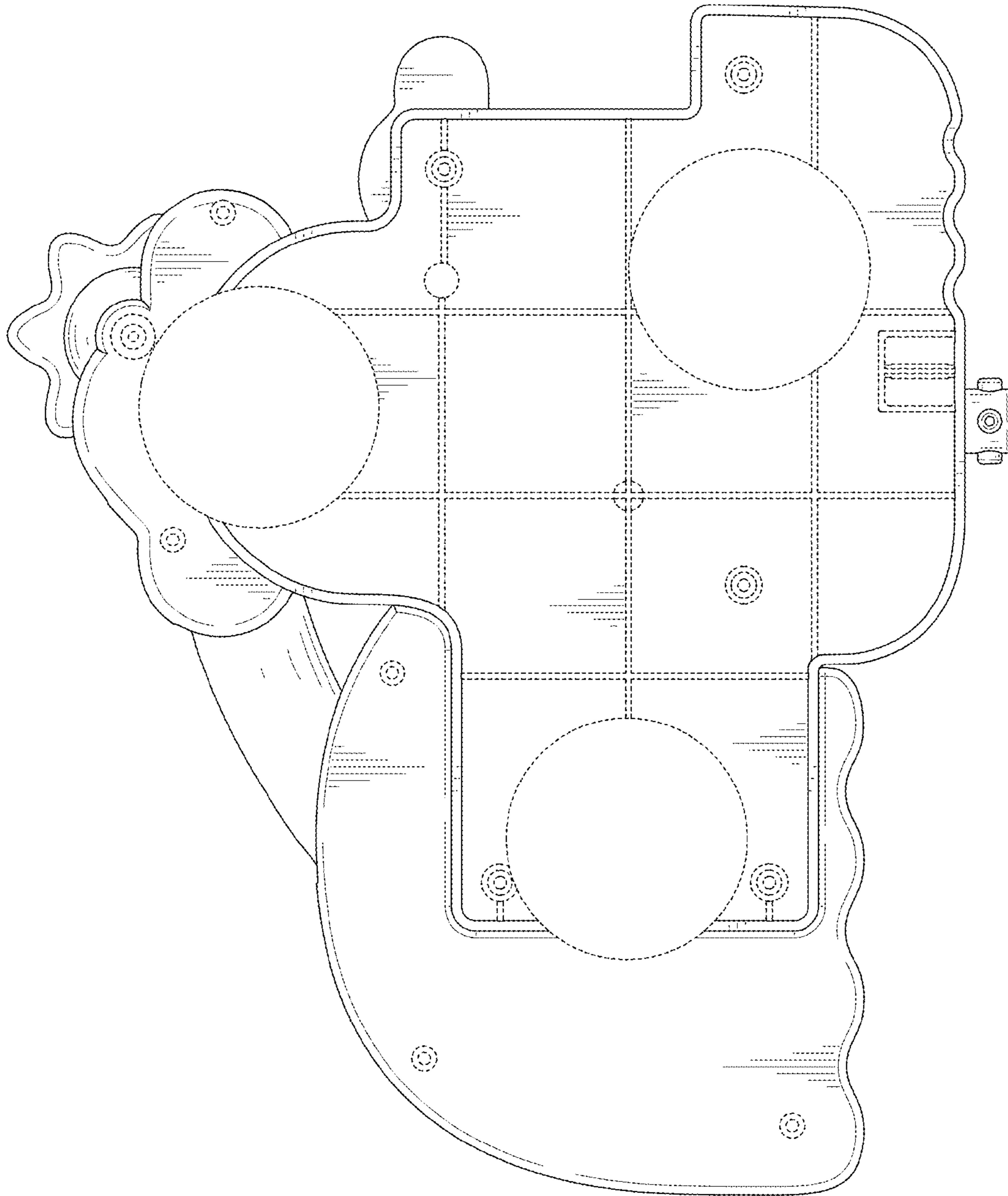


FIG. 4

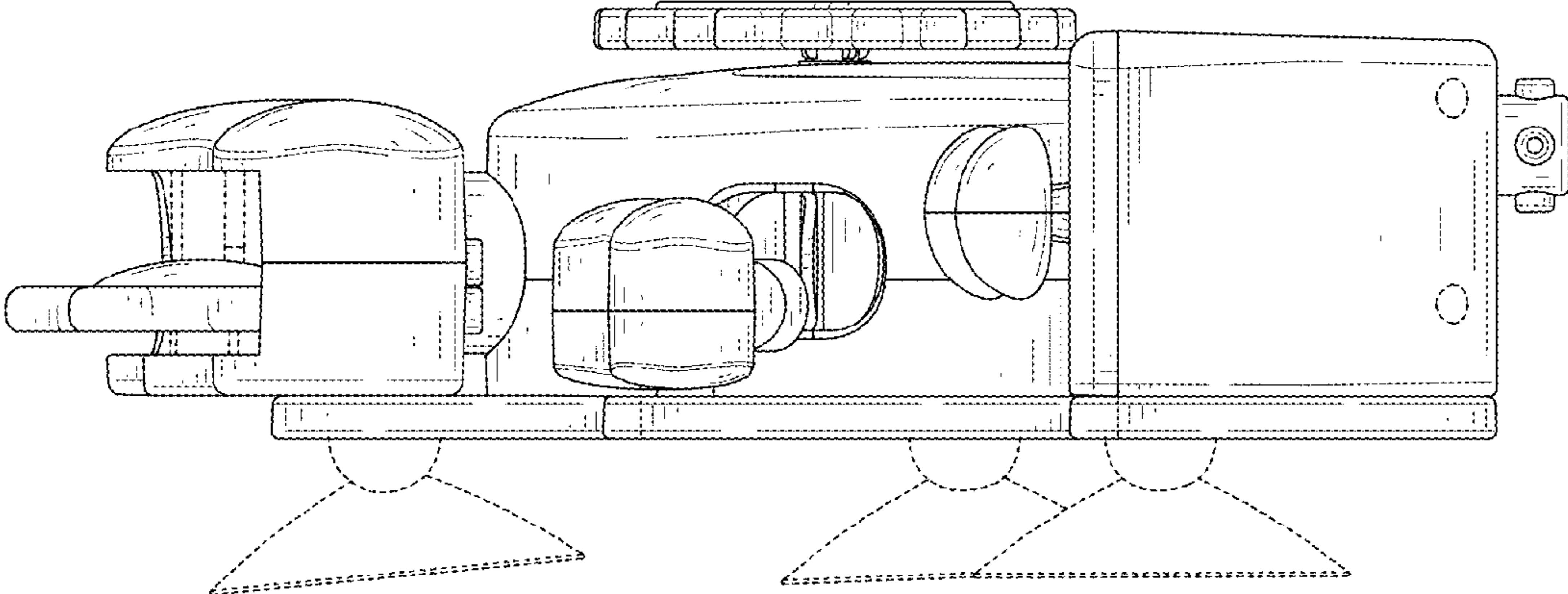


FIG. 5

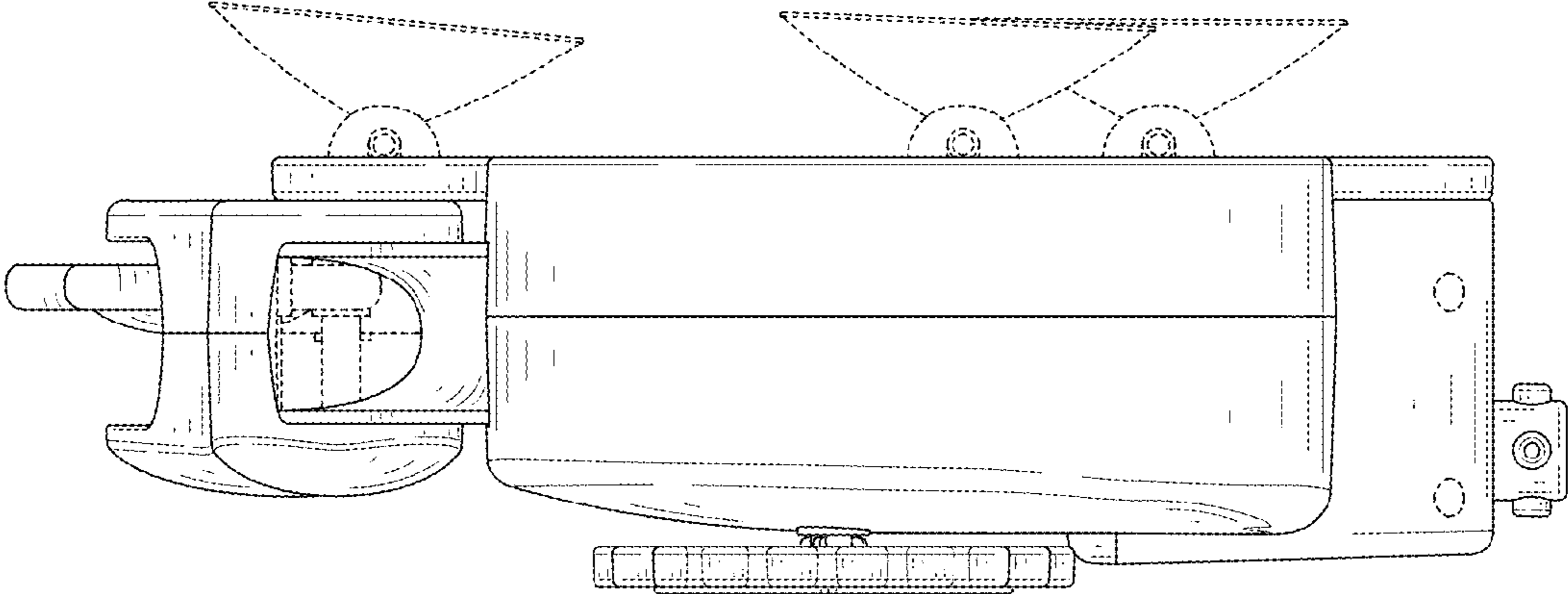


FIG. 6

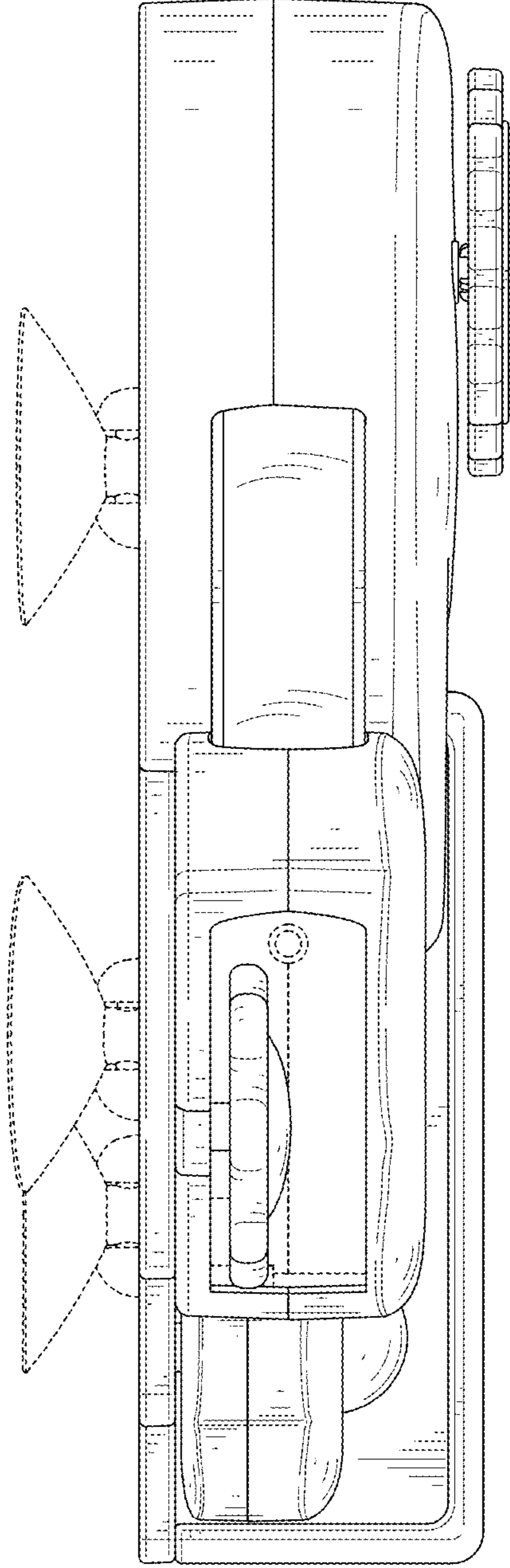


FIG. 7

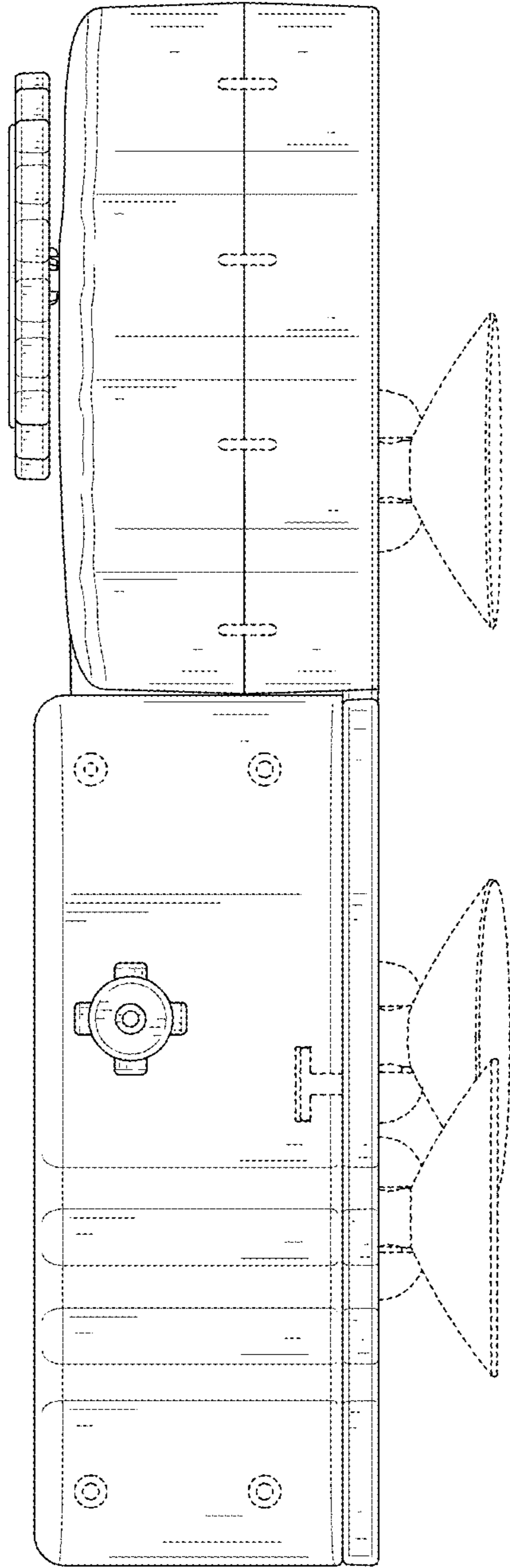


FIG. 8