



US00D910775S

(12) **United States Design Patent**
Cran et al.

(10) **Patent No.:** **US D910,775 S**

(45) **Date of Patent:** **** Feb. 16, 2021**

(54) **SPINNING TOP**

(71) Applicant: **MAKE GREAT SALES LIMITED,**
Wanchai (HK)

(72) Inventors: **Bruce Peter Cran,** Ho Chi Minh (VN);
Kin Choi Lee, Wanchai (HK)

(73) Assignee: **MAKE GREAT SALES LIMITED,**
Hong Kong (HK)

(**) Term: **15 Years**

(21) Appl. No.: **29/714,029**

(22) Filed: **Nov. 20, 2019**

(51) **LOC (13) Cl.** **21-01**

(52) **U.S. Cl.**
USPC **D21/460**

(58) **Field of Classification Search**
USPC D21/306, 308, 374, 386, 455, 460, 461,
D21/462, 463, 464, 465, 466, 467, 468;
D6/320, 321, 323, 328, 524; 446/256,
446/259
CPC ... A63H 1/00; A63H 1/18; A63H 1/26; A23K
50/42
See application file for complete search history.

(56) **References Cited**

U.S. PATENT DOCUMENTS

D2,927 S *	2/1868	Gashua	D21/460
D69,941 S *	4/1926	Gibbs	D21/461
1,720,498 A *	7/1929	Wahlstrom	A63H 1/04 446/263
D89,705 S *	4/1933	Johnson	D21/460
2,010,156 A *	8/1935	Jimerson	A63H 1/04 446/262
2,075,729 A *	3/1937	Kee	A63H 1/26 446/258
D157,985 S *	4/1950	Krapp	D21/461
2,639,921 A *	5/1953	Saunders	A63F 9/16 273/147

D173,554 S *	11/1954	Chiarle	D21/460
2,789,392 A *	4/1957	Palmieri	A63H 1/00 446/261
D203,610 S *	2/1966	Levy	D21/460
D285,462 S *	9/1986	Fiihr	D21/461
D323,684 S *	2/1992	Thompson	D11/121
D647,144 S *	10/2011	Robins	D21/460
D685,035 S *	6/2013	Kanbar	D21/460

(Continued)

FOREIGN PATENT DOCUMENTS

DE	10210399 A1 *	10/2003	A63H 1/02
EP	3167944 A1 *	5/2017	A63H 1/00

(Continued)

OTHER PUBLICATIONS

“Handmade spinning tops”, posted Oct. 24, 2016 [Online], [retrieved Dec. 31, 2020]. Retrieved from Internet: <https://tinyurl.com/ya5psdf4>.*

Primary Examiner — Barbara Fox
Assistant Examiner — Mehri Bajoul
(74) *Attorney, Agent, or Firm* — Onello & Mello, LLP

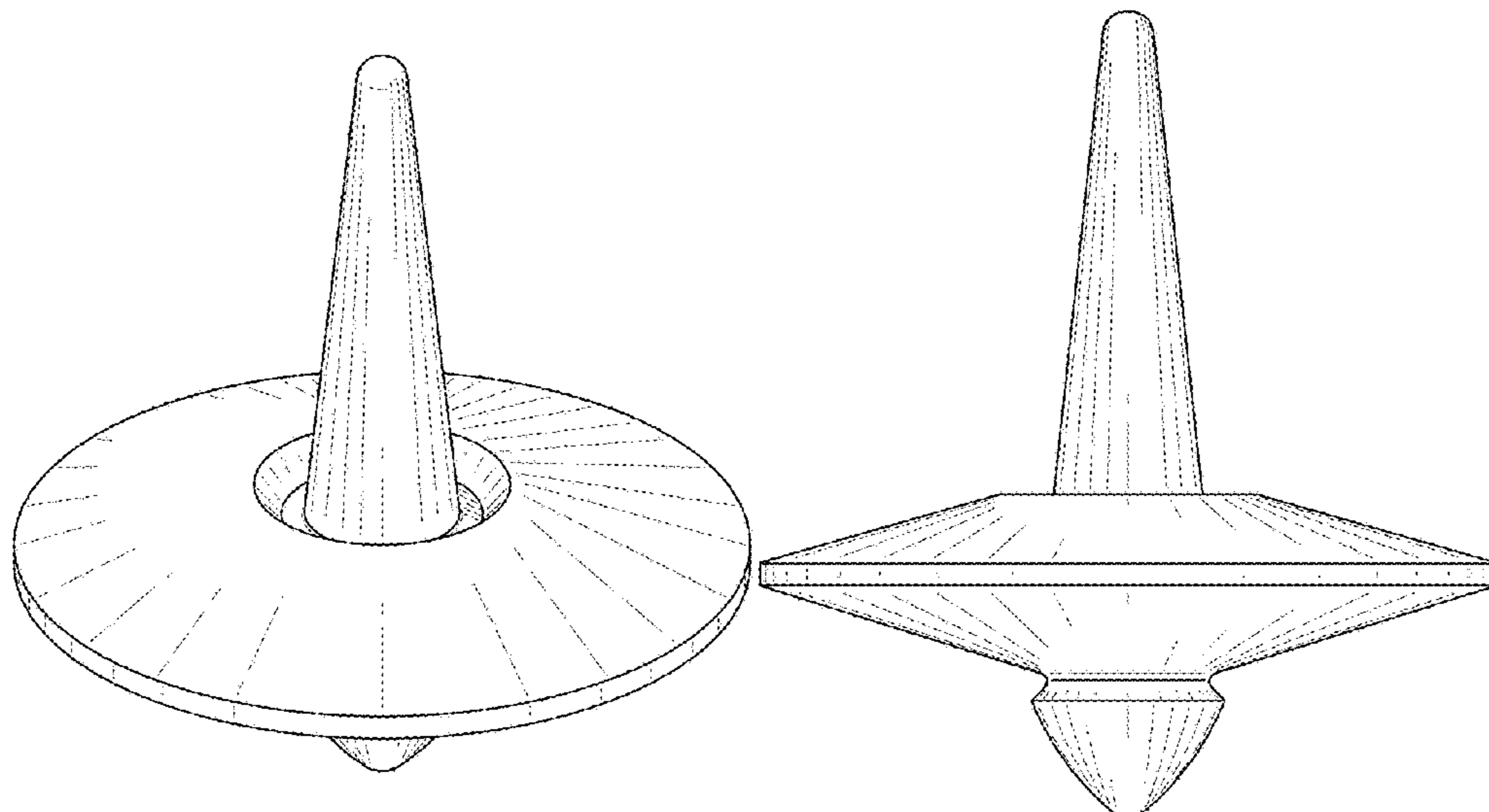
(57) **CLAIM**

The ornamental design for a spinning top, as shown and described.

DESCRIPTION

FIG. 1 is a top isometric view of a spinning top, in accordance with our design;
FIG. 2 is a bottom isometric view of the spinning top of FIG. 1;
FIG. 3 is a right side view of the spinning top of FIG. 1;
FIG. 4 is a left side view of the spinning top of FIG. 1;
FIG. 5 is a front view of the spinning top of FIG. 1;
FIG. 6 is a rear view of the spinning top of FIG. 1;
FIG. 7 is a top view of the spinning top of FIG. 1; and,
FIG. 8 is a bottom view of the spinning top of FIG. 1.

1 Claim, 4 Drawing Sheets



(56)

References Cited

U.S. PATENT DOCUMENTS

D687,107 S * 7/2013 Kanbar D21/460
D877,816 S * 3/2020 Takahashi D21/460
D883,399 S * 5/2020 He D21/460
D891,528 S * 7/2020 Hama D21/460
2013/0052909 A1* 2/2013 Tsai A63H 1/18
446/256
2015/0343318 A1* 12/2015 Liang A63H 1/00
446/259
2018/0369703 A1* 12/2018 Sorias A63H 1/00
2019/0069521 A1* 3/2019 Hutton A23K 20/30

FOREIGN PATENT DOCUMENTS

WO WO-2008002167 A1 * 1/2008 A63H 1/18
WO WO-2018006886 A2 * 1/2018 A63H 1/00

* cited by examiner

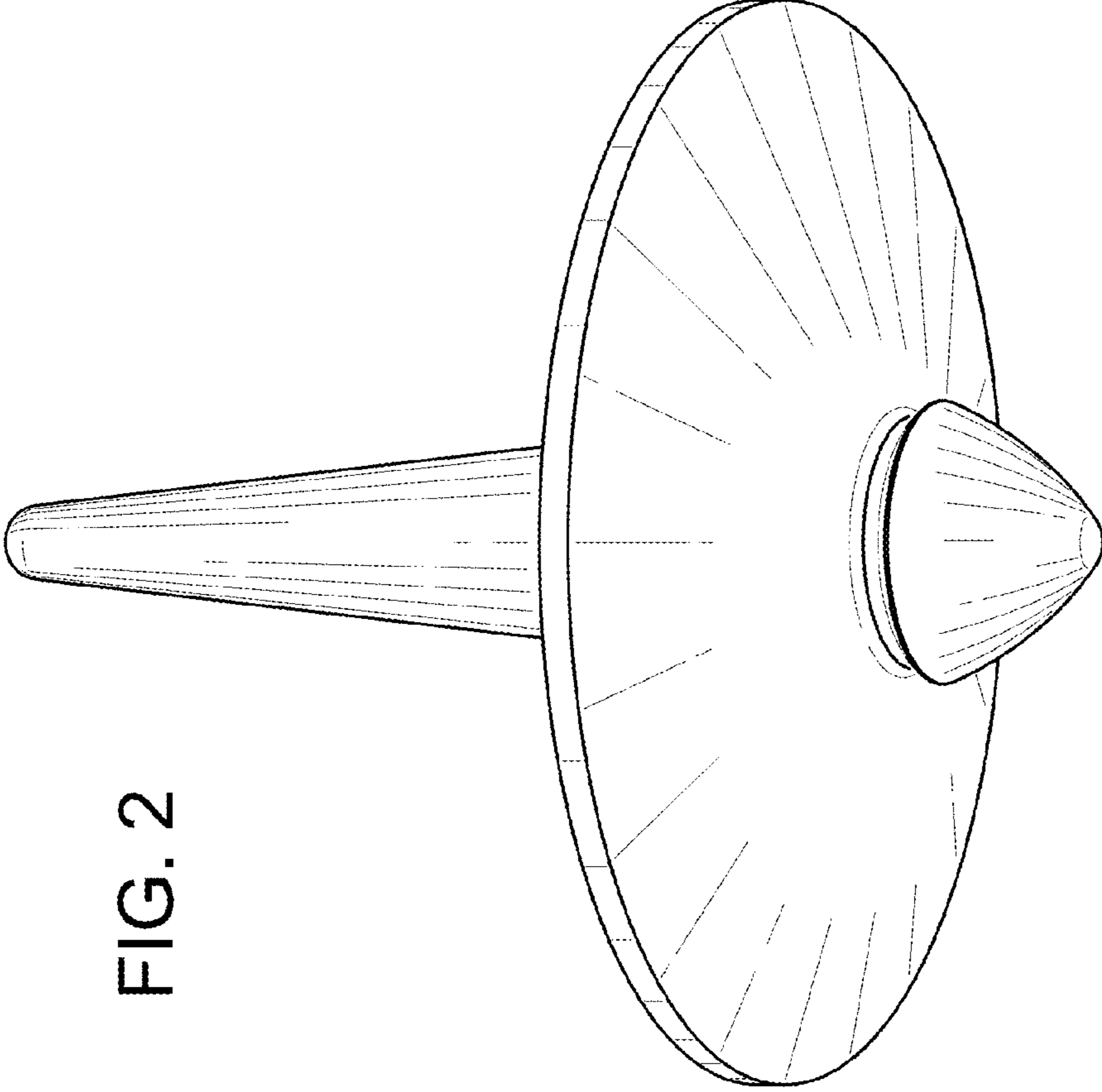


FIG. 2

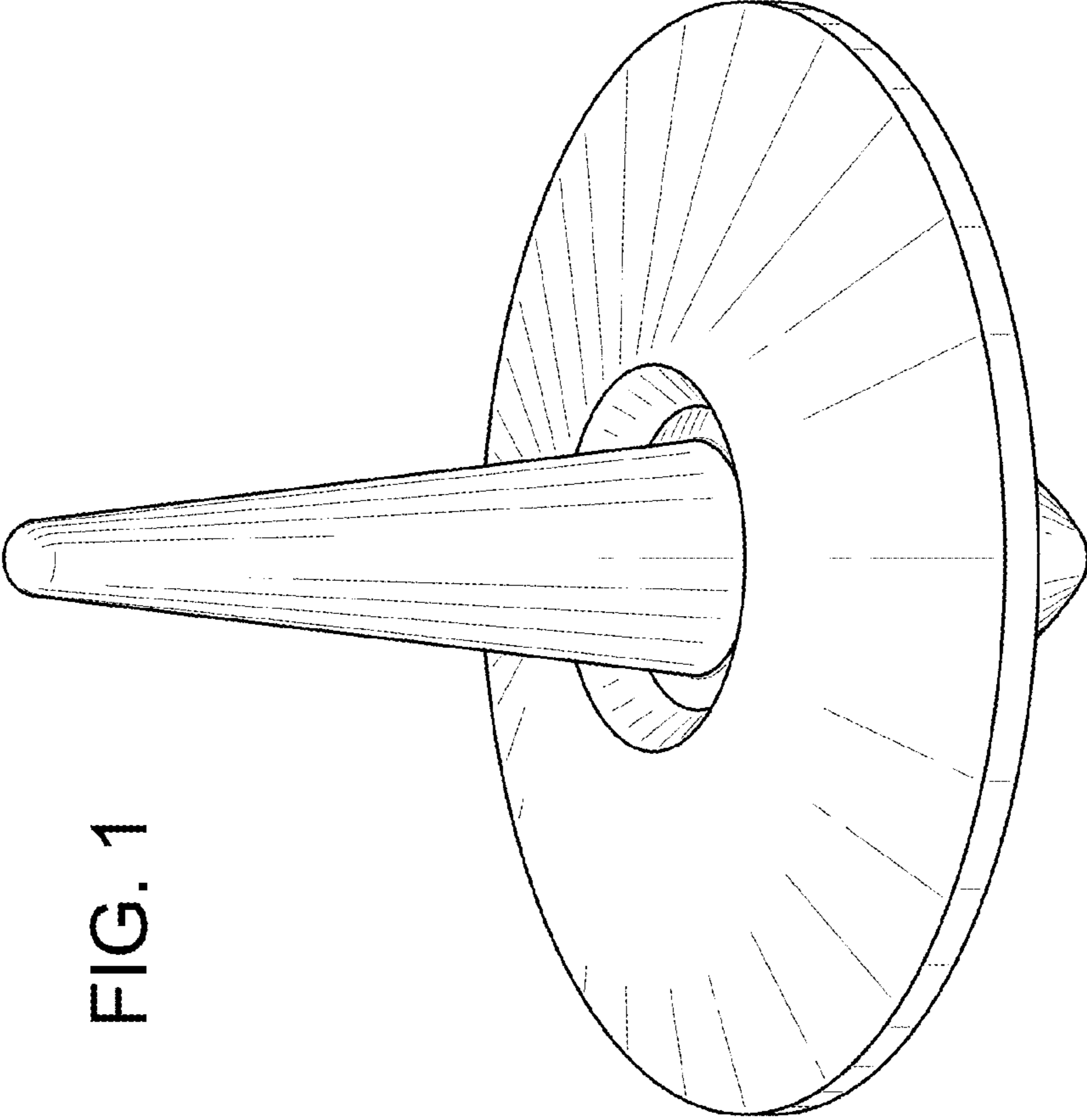


FIG. 1

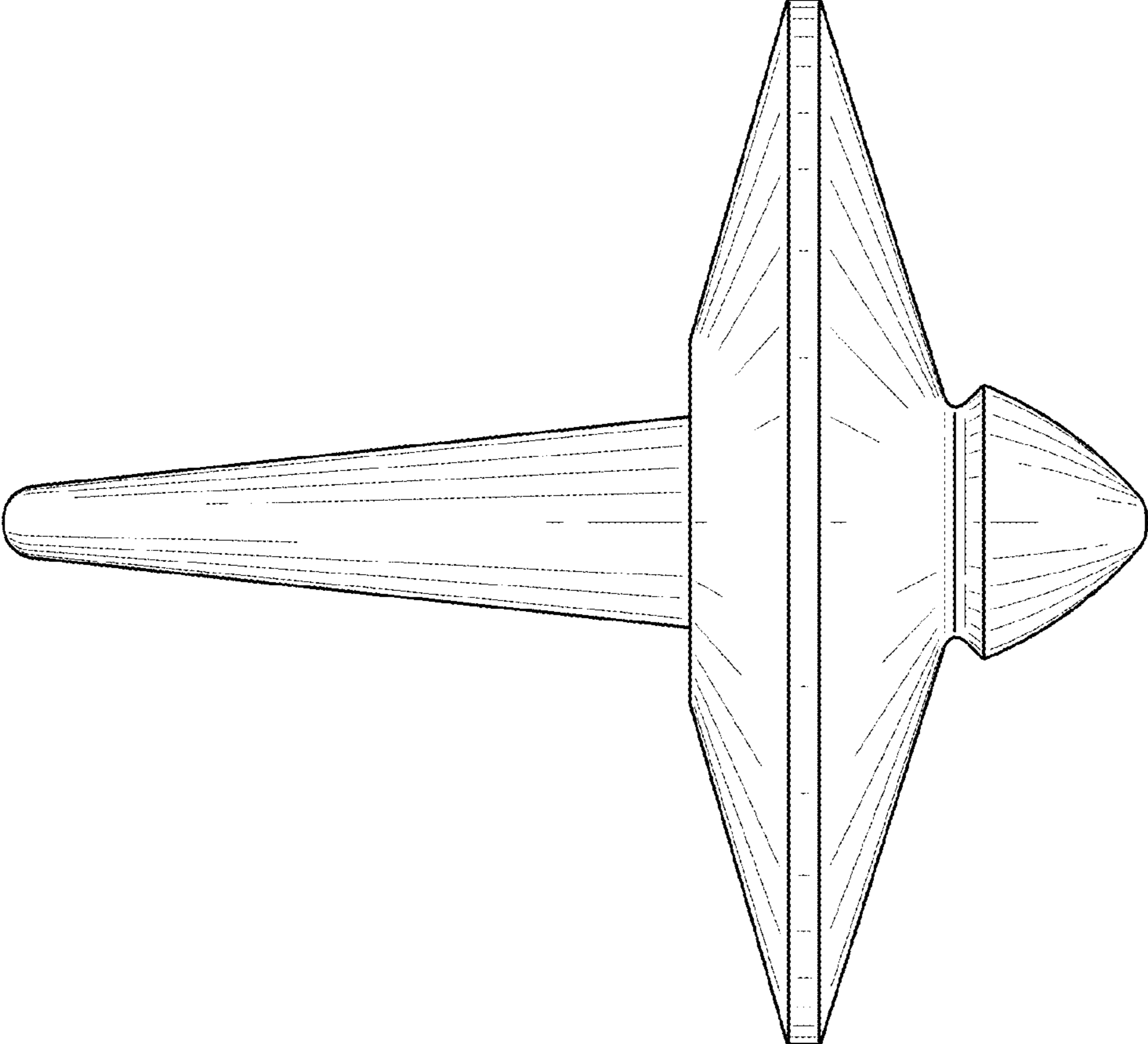


FIG. 4

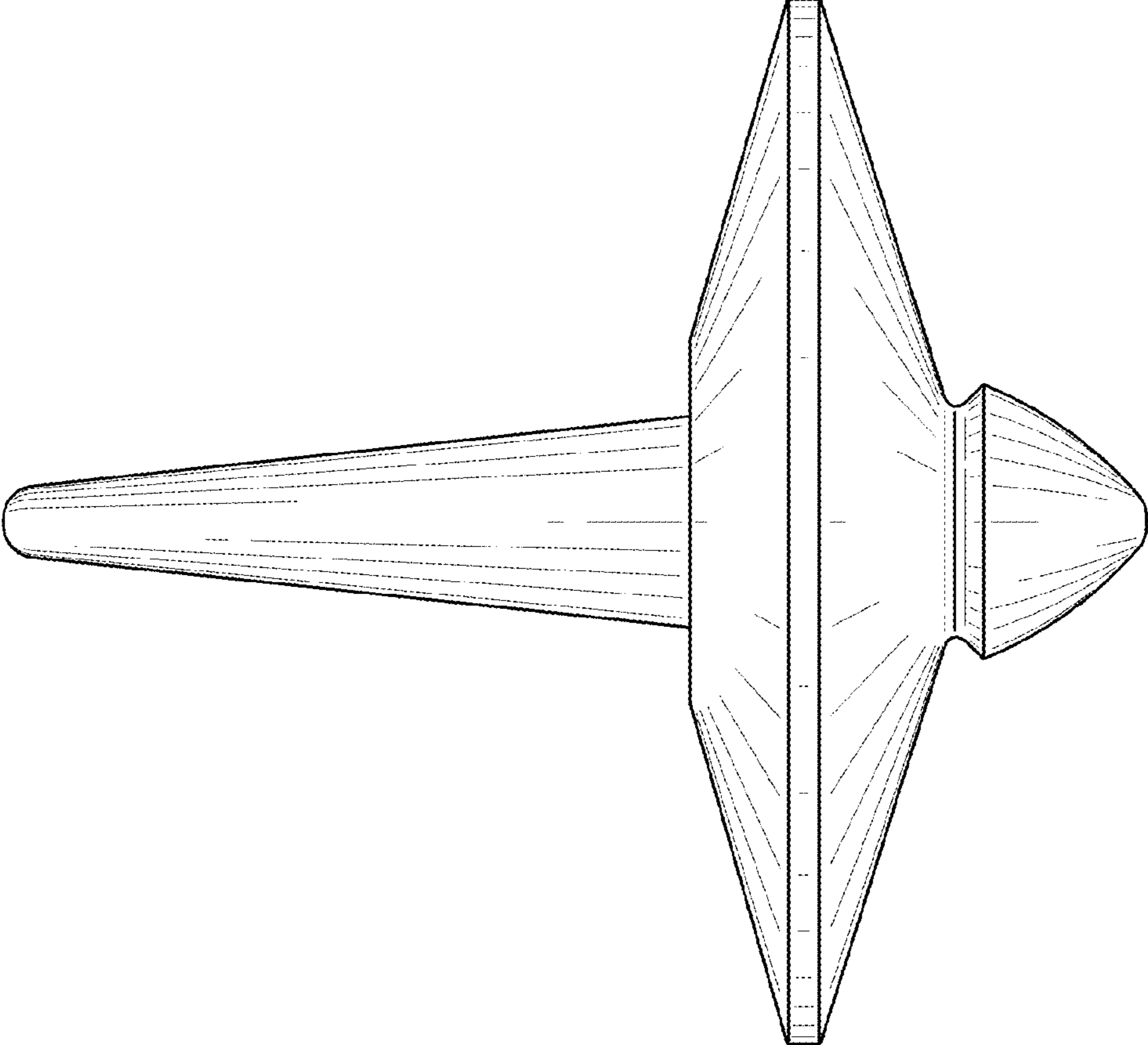


FIG. 3

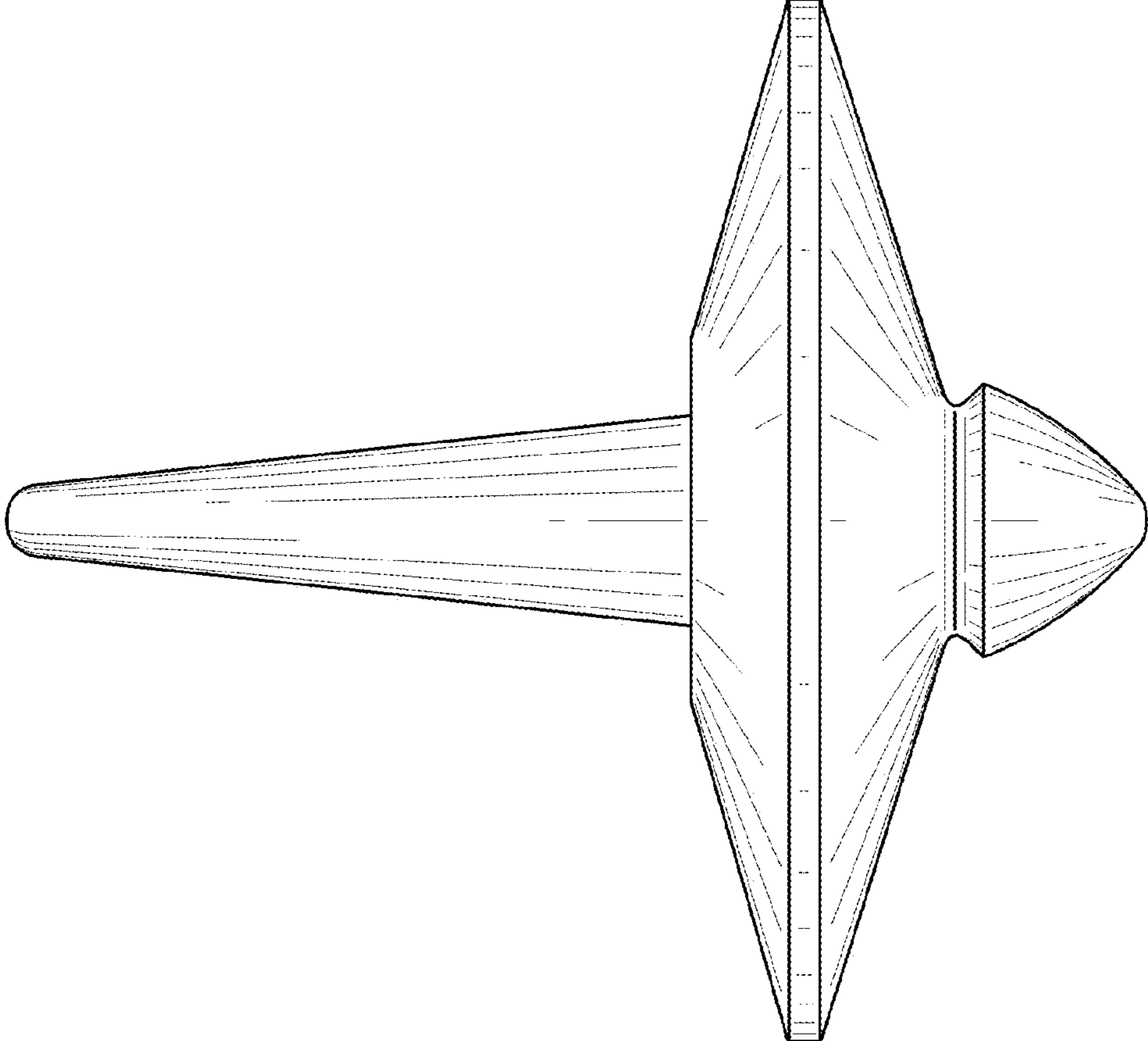


FIG. 5

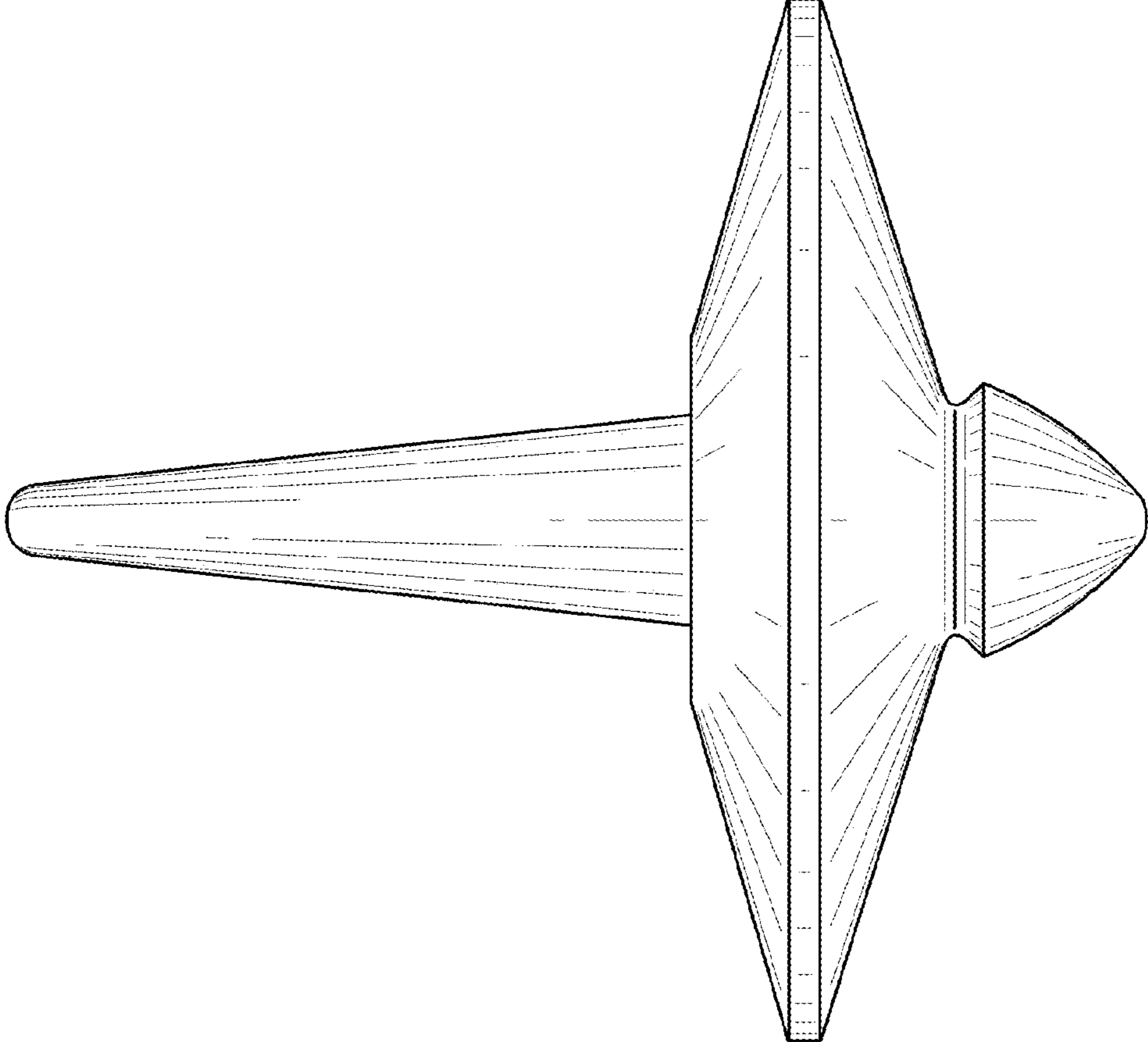


FIG. 6

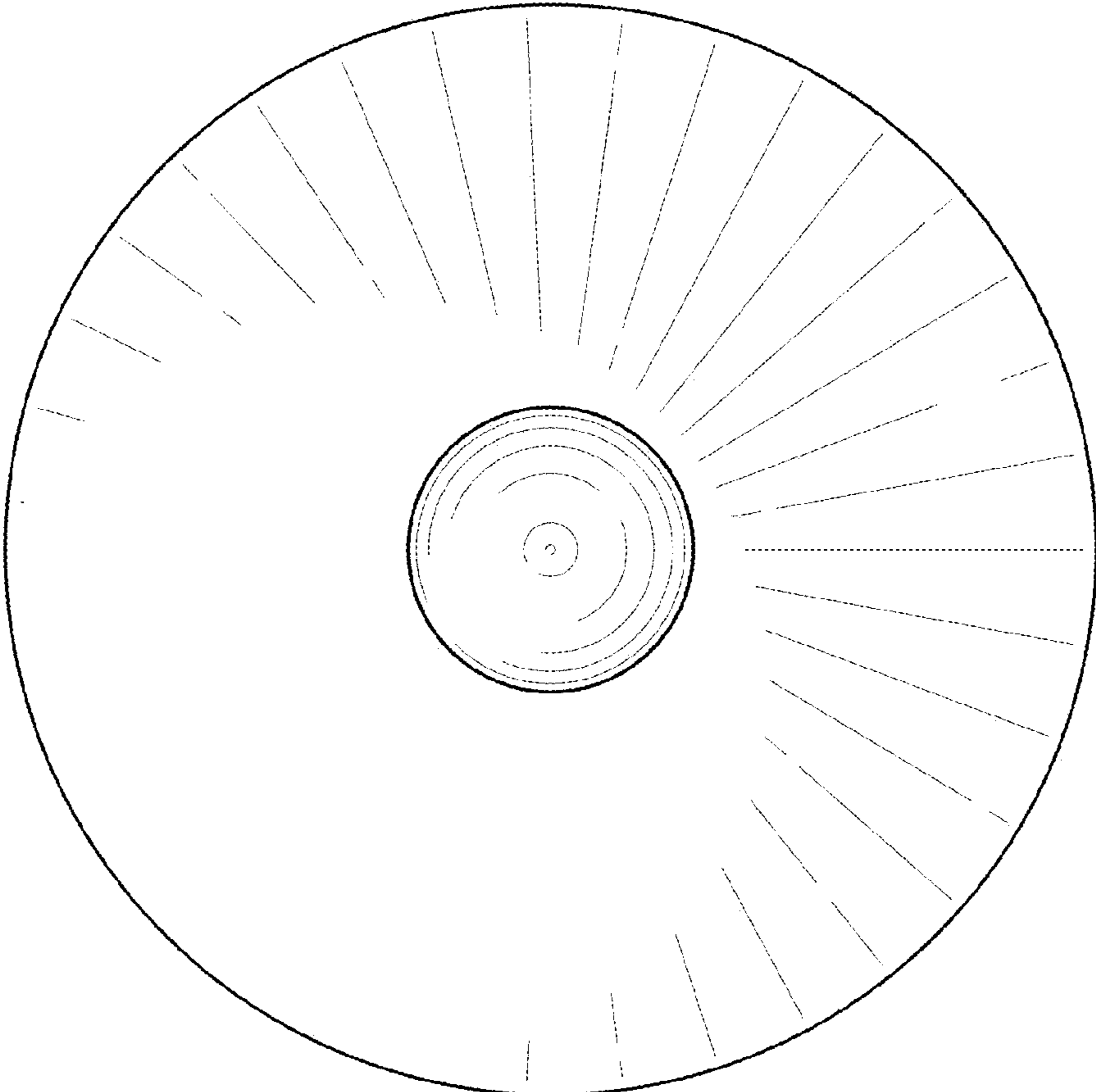


FIG. 8

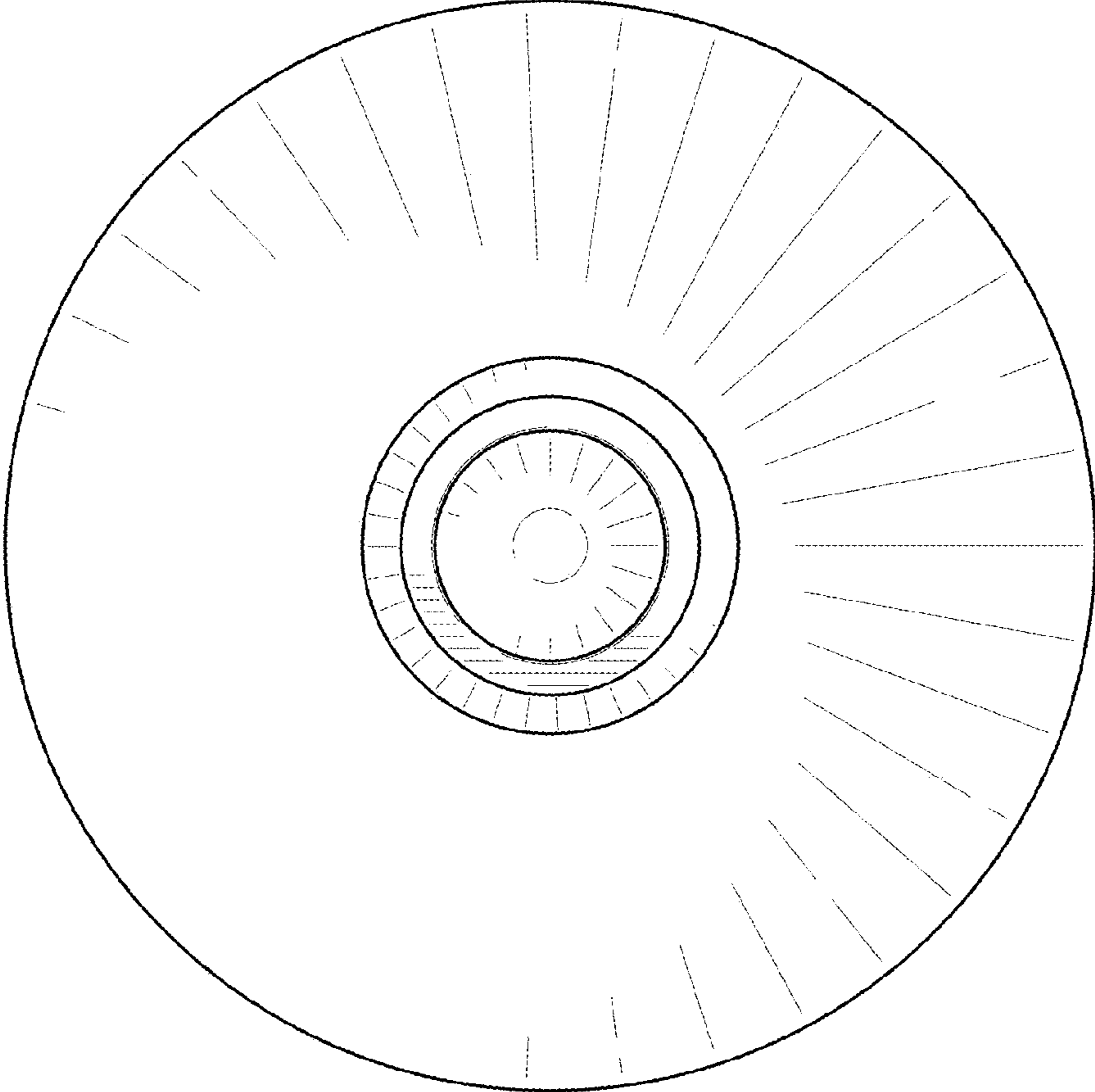


FIG. 7