



US00D910767S

(12) **United States Design Patent**
Yang

(10) **Patent No.:** **US D910,767 S**

(45) **Date of Patent:** **** Feb. 16, 2021**

(54) **BALANCE BIKE**

(71) Applicant: **Xiamen Baby Pretty Products Co., Ltd.**, Xiamen (CN)

(72) Inventor: **Jianbo Yang**, Xiamen (CN)

(73) Assignee: **XIAMEN BABY PRETTY PRODUCTS CO, LTD.**, Xiamen (CN)

(**) Term: **15 Years**

(21) Appl. No.: **29/678,242**

(22) Filed: **Jan. 27, 2019**

(30) **Foreign Application Priority Data**

Dec. 21, 2018 (CN) 201830743735.2

(51) **LOC (13) Cl.** **21-01**

(52) **U.S. Cl.**
USPC **D21/432**

(58) **Field of Classification Search**
USPC D12/111, 117; D21/412, 414, 419,
D21/423-428, 431-435

CPC ... B62K 3/00; B62K 3/02; B62K 3/06; B62K
9/00; B62K 19/14

See application file for complete search history.

(56) **References Cited**

U.S. PATENT DOCUMENTS

D191,176 S * 8/1961 Pressner D21/424
D216,551 S * 2/1970 Ruby D21/432
D218,052 S * 7/1970 Evatt et al. D21/432
D271,504 S * 11/1983 Rivollet D21/424
D346,412 S * 4/1994 Chou D21/424
D346,833 S * 5/1994 Klawitter D21/432
D469,477 S * 1/2003 Horchler D21/424
D473,599 S * 4/2003 Horchler D21/424
D532,460 S * 11/2006 Auberger A47D 13/086
D21/432
D571,863 S * 6/2008 On D21/424

D597,146 S * 7/2009 Verlinden D21/424
D597,147 S * 7/2009 Verlinden D21/424
8,191,931 B1 * 6/2012 Mulder B62K 19/14
280/828
D671,173 S * 11/2012 Tompkin D21/432
(Continued)

OTHER PUBLICATIONS

Sally M. Hawkins. "Avenor baby balance bike review." Lil Bikers., Sep. 22, 2019 [online], [retrieved on Oct. 19, 2020]. Retrieved from the Internet <URL: <https://www.lilbikers.com/avenor-baby-balance-bike-review/>>.*

(Continued)

Primary Examiner — Darlington Ly

(74) *Attorney, Agent, or Firm* — Bayramoglu Law Offices LLC

(57) **CLAIM**

The ornamental design for a balance bike, as shown and described.

DESCRIPTION

The patent or application file contains at least one drawing executed in color. Copies of this patent or patent application publication with color drawing(s) will be provided by the Office upon request and payment of the necessary fee.

FIG. 1 is a left side elevation view of a balance bike showing my new design;

FIG. 2 is a right side elevation view thereof;

FIG. 3 is a front elevation view thereof;

FIG. 4 is a rear elevation view thereof;

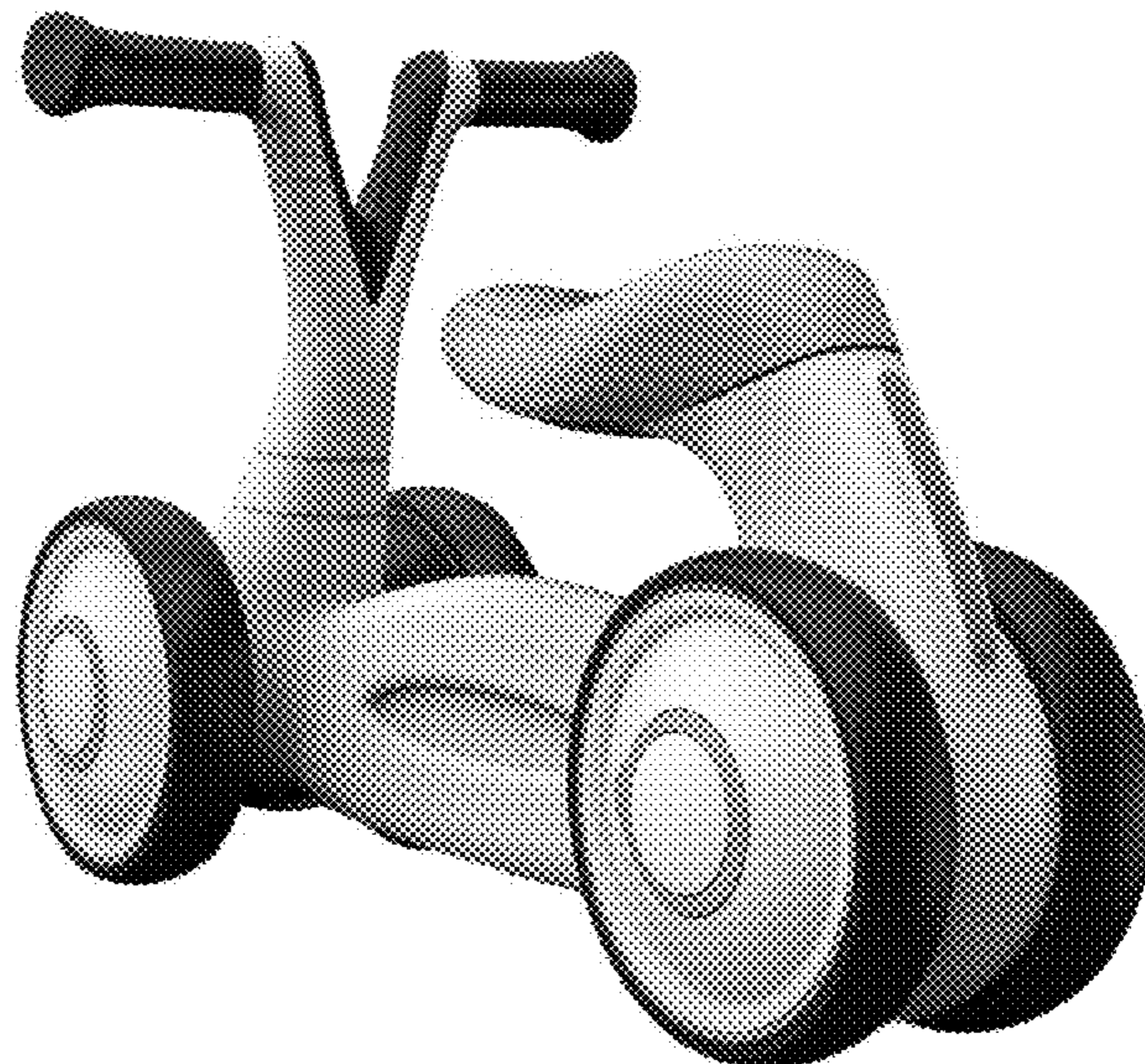
FIG. 5 is a top plan view thereof;

FIG. 6 is a bottom plan view thereof; and,

FIG. 7 is a rear and left side perspective view thereof.

The color shown on the claimed design forms no part thereof.

1 Claim, 7 Drawing Sheets
(7 of 7 Drawing Sheet(s) Filed in Color)



(56)

References Cited

U.S. PATENT DOCUMENTS

D673,623 S * 1/2013 De Roeck D21/432
D716,878 S * 11/2014 Wu D21/432
D825,395 S * 8/2018 Gafni D12/111
D869,564 S * 12/2019 van den Berg D21/424
D896,319 S * 9/2020 Jiang D21/432
2016/0200389 A1 * 7/2016 Chen B62K 3/002
280/639
2017/0291629 A1 * 10/2017 O Connell B62K 13/04

OTHER PUBLICATIONS

“Top 10 Best Baby Balance Bikes in 2020 | Bicycle Children Walker.” Top Best Reviews., Jan. 11, 2020 [online], [retrieved on Oct. 19, 2020]. Retrieved from the Internet <URL: <https://www.topbest10reviews.com/best-baby-balance-bikes/>>.*

Review by Diane. “Baby Balance Bike Bicycle . . .” Costway., Jan. 16, 2020 [online], [retrieved on Oct. 19, 2020]. Retrieved from the Internet <URL: <https://www.babypretty.com.cn/product/22/>>.*

“Balance Bicycle.” Baby Pretty., Feb. 24, 2020 [online], [retrieved on Oct. 19, 2020]. Retrieved from the Internet <URL: https://www.costway.com/1-person-compact-portable-pop-up-tent-air-mattress-sleeping-bag.html?piid=9229300&fee=4&fep=14744&utm_source=google&utm_medium=>>.*

* cited by examiner

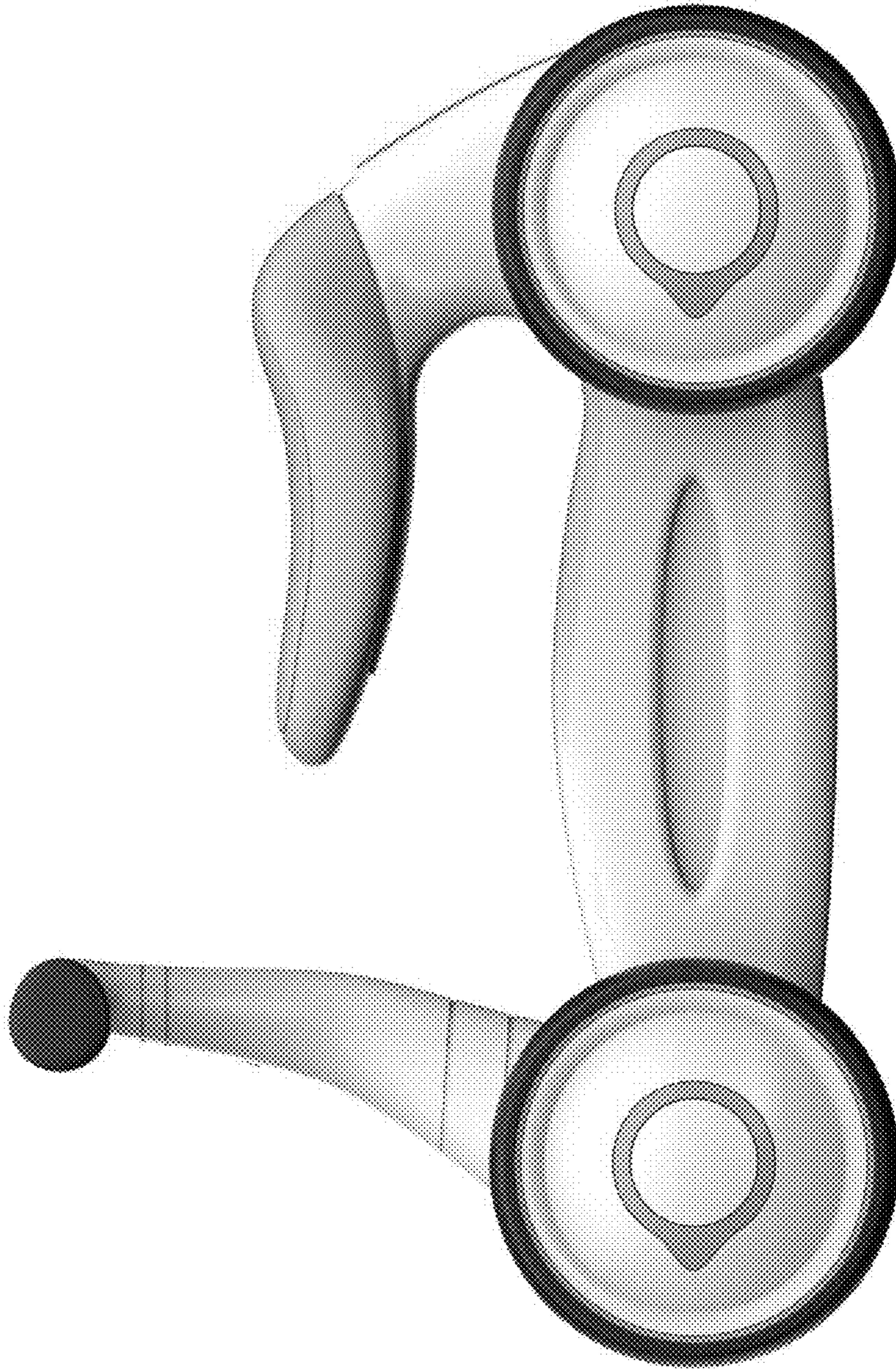


Fig. 1

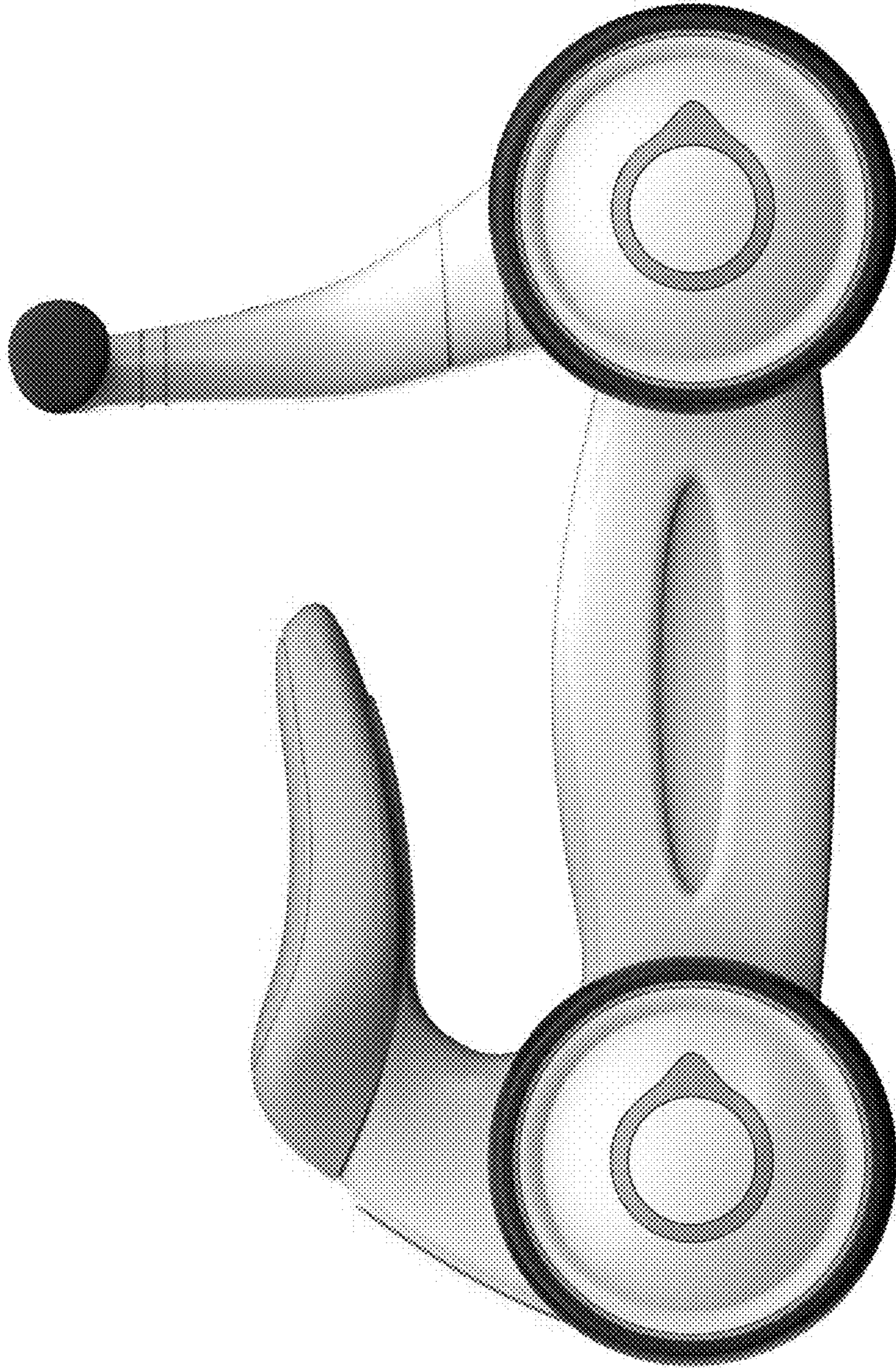


Fig. 2

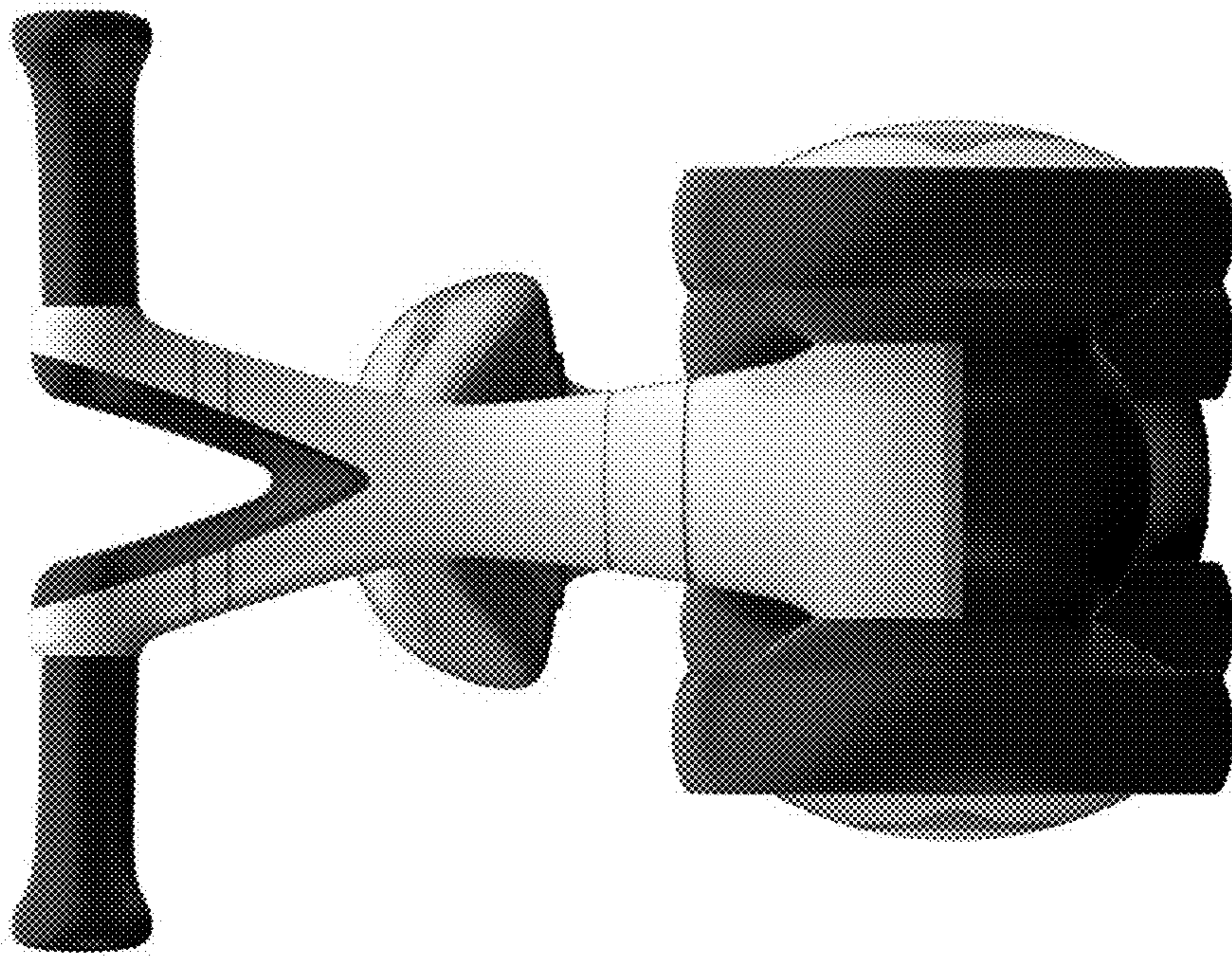


Fig. 3

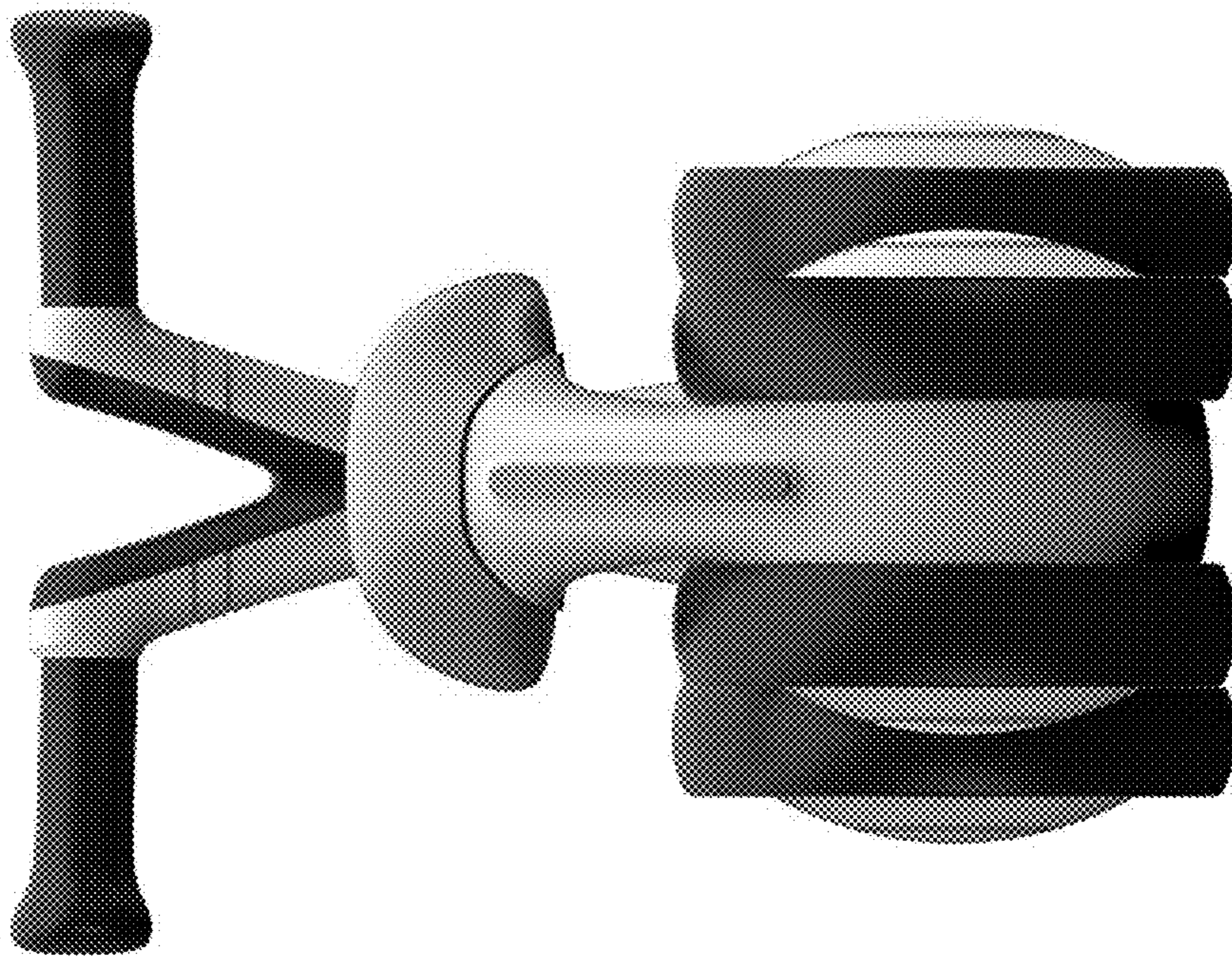


Fig. 4

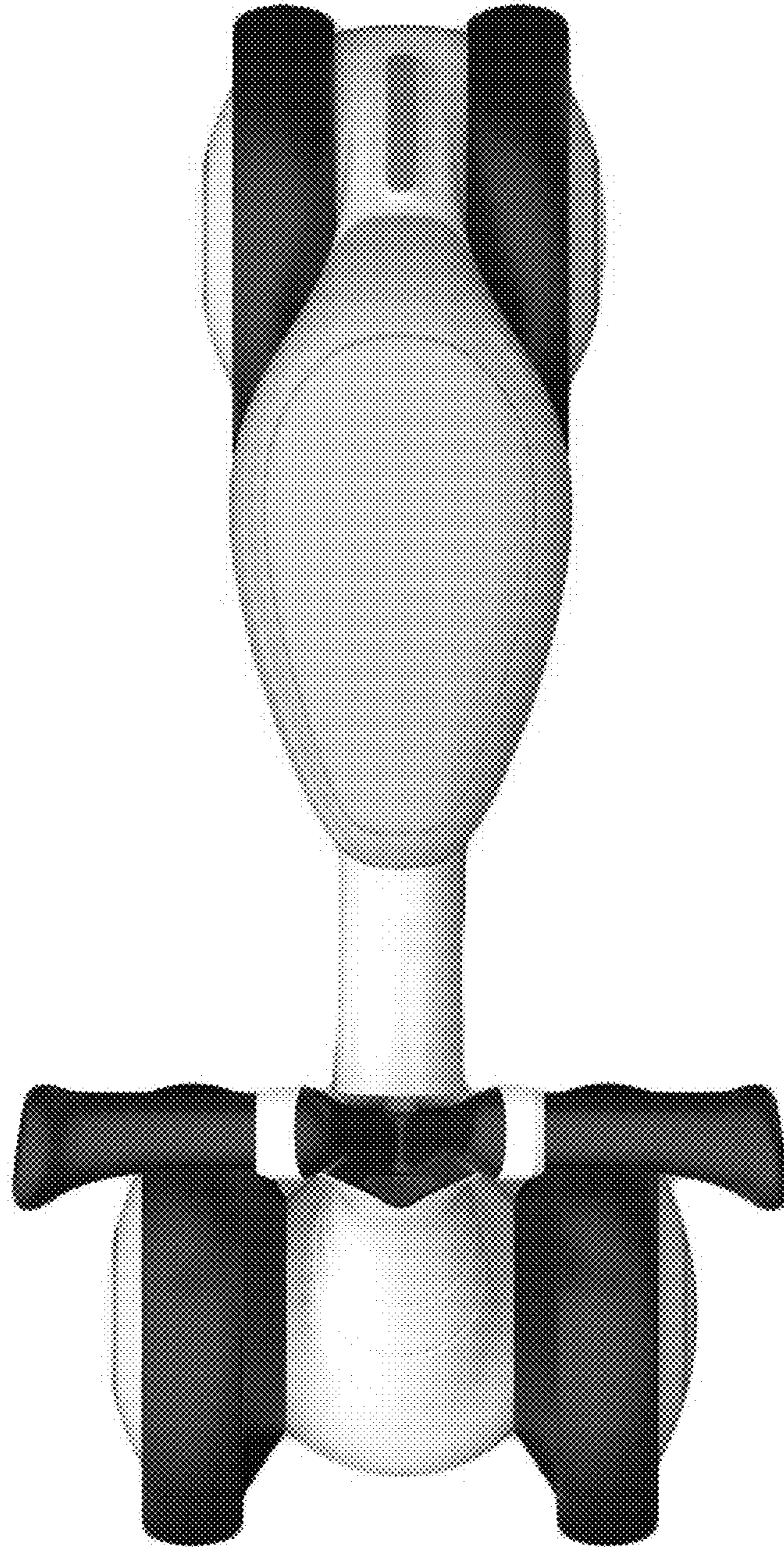


Fig. 5

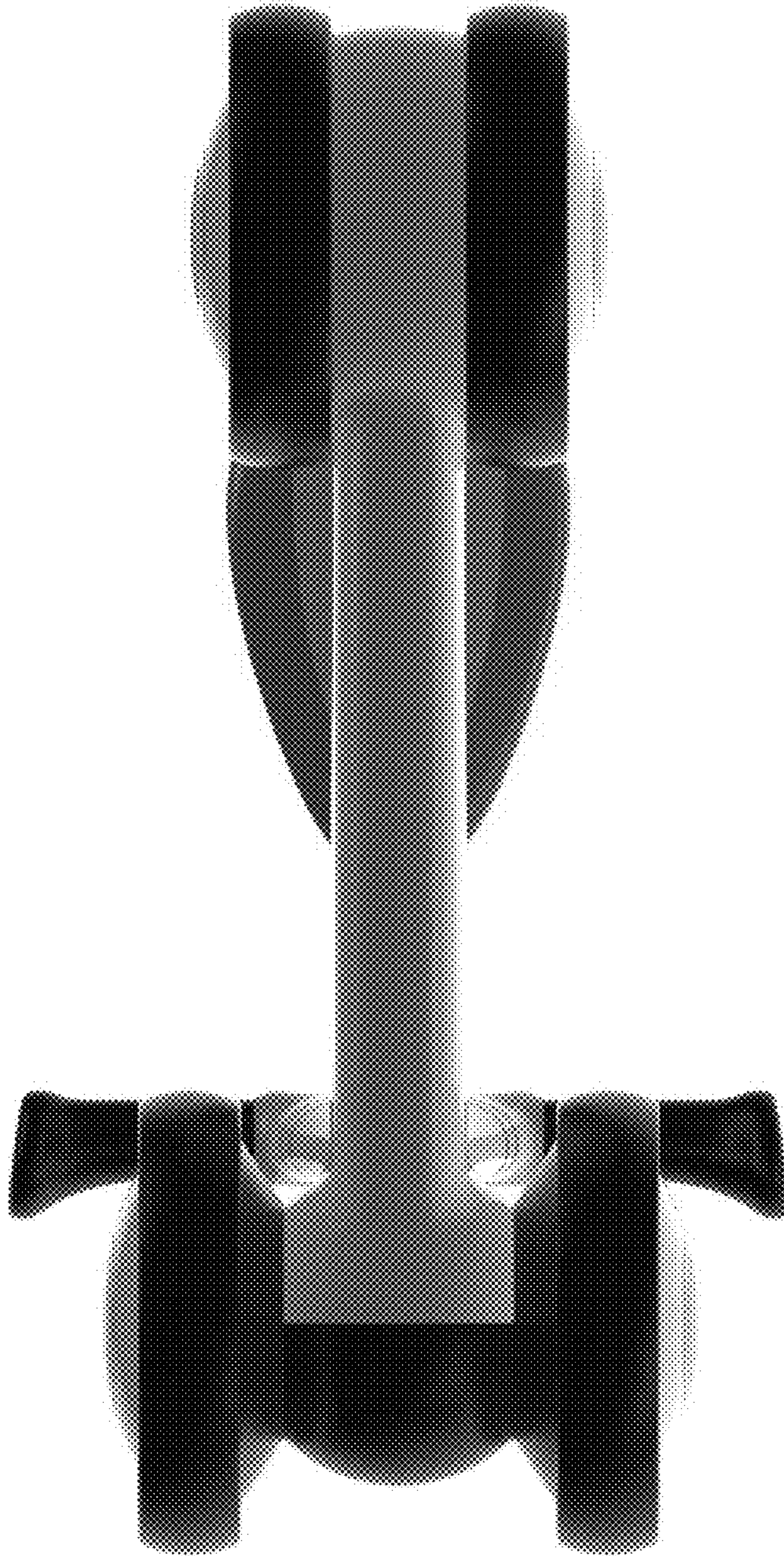


Fig. 6



Fig. 7