



US00D910766S

(12) **United States Design Patent**
Hadley

(10) **Patent No.:** **US D910,766 S**

(45) **Date of Patent:** **** Feb. 16, 2021**

(54) **ELECTRIC SCOOTER**

(71) Applicant: **RAZOR USA LLC**, Cerritos, CA (US)

(72) Inventor: **Robert Hadley**, Yorba Linda, CA (US)

(73) Assignee: **RAZOR USA LLC**, Cerritos, CA (US)

(**) Term: **15 Years**

(21) Appl. No.: **29/718,699**

(22) Filed: **Dec. 27, 2019**

Related U.S. Application Data

(60) Continuation of application No. 29/677,683, filed on Jan. 23, 2019, now Pat. No. Des. 872,192, which is a continuation of application No. 29/637,152, filed on Feb. 14, 2018, now Pat. No. Des. 839,359, which is a division of application No. 29/543,893, filed on Oct. 29, 2015, now Pat. No. Des. 810,836.

(51) **LOC (13) Cl.** **21-01**

(52) **U.S. Cl.**

USPC **D21/423**

(58) **Field of Classification Search**

USPC D21/419, 421, 423, 426-428, 435, 760,
D21/763, 765, 771

CPC . B62K 3/002; B62K 9/00; B62K 9/02; B62K
13/00; B62K 2202/00

See application file for complete search history.

(56) **References Cited**

U.S. PATENT DOCUMENTS

4,094,372 A	6/1978	Notter
4,842,091 A	6/1989	Badsey
D326,290 S	5/1992	Badsey
5,662,187 A	9/1997	McGovern
5,848,660 A	12/1998	McGreen
6,029,763 A	2/2000	Swisher
6,139,035 A	10/2000	Tsai
D433,718 S	11/2000	Mcgreen

D435,873 S	1/2001	Lee
D435,874 S	1/2001	Cheng
6,179,307 B1	1/2001	Mao
D438,911 S	3/2001	Chen
D438,912 S	3/2001	Barrera
D439,623 S	3/2001	Barrera
6,199,652 B1	3/2001	Mastroianni et al.
6,206,387 B1	3/2001	Tsai
D444,824 S	7/2001	Udwin et al.

(Continued)

FOREIGN PATENT DOCUMENTS

CH	598051	4/1978
CN	2448414 Y	9/2001

(Continued)

OTHER PUBLICATIONS

U.S. Appl. No. 29/591,292, filed Jan. 18, 2017, Huang et al.
U.S. Appl. No. 29/637,724, filed Feb. 21, 2018, Hadley

Primary Examiner — Cynthia M. Chin

(74) *Attorney, Agent, or Firm* — Knobbe Martens Olson & Bear, LLP

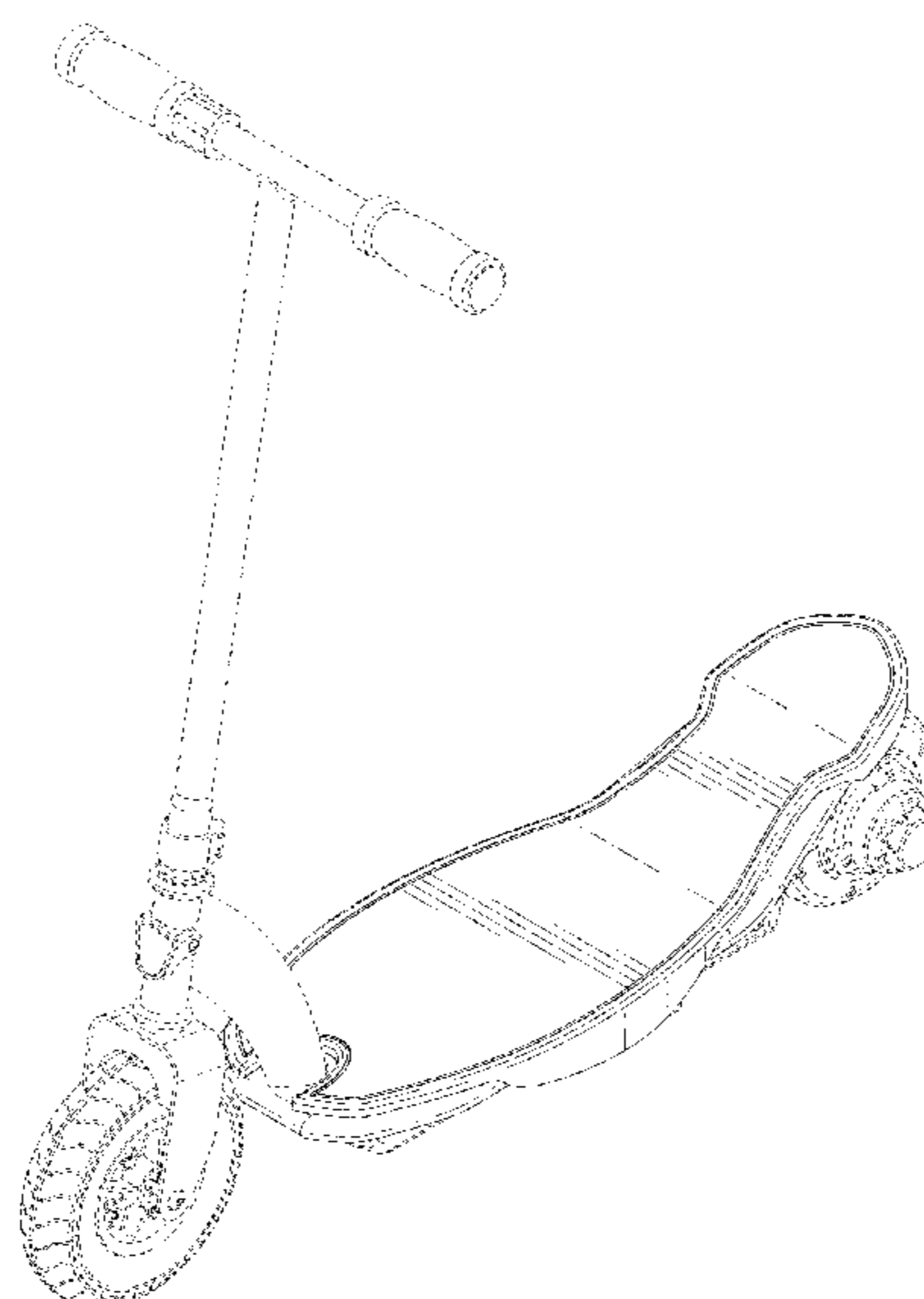
(57) **CLAIM**

The ornamental design for an electric scooter, as shown and described.

DESCRIPTION

FIG. 1 is a perspective view showing a top surface of an electric scooter;
FIG. 2 is a front view thereof;
FIG. 3 is a rear view thereof;
FIG. 4 is a left side view thereof;
FIG. 5 is a right side view thereof;
FIG. 6 is a top view thereof; and,
FIG. 7 is a bottom view thereof.
Broken lines are used to illustrate portions of the electric scooter which form no part of the claimed design.

1 Claim, 6 Drawing Sheets



(56)

References Cited

U.S. PATENT DOCUMENTS

D446,259 S 8/2001 Udwin et al.
 D447,187 S 8/2001 Powers
 D447,188 S 8/2001 Lan
 6,273,205 B1 8/2001 Tsai
 6,296,082 B1 10/2001 Tsai
 6,298,952 B1 10/2001 Tsai
 D450,355 S 11/2001 Chan
 D452,284 S 12/2001 McGinnis
 D453,198 S 1/2002 Dudley
 D453,804 S 2/2002 Robinson
 6,345,678 B1 2/2002 Chang
 D454,377 S 3/2002 Hsu et al.
 D456,460 S 4/2002 Tseng
 6,378,880 B1 4/2002 Lin
 6,382,366 B1 5/2002 Chang
 6,386,330 B1 5/2002 Wei
 6,394,213 B1 5/2002 Tsai
 D459,761 S 7/2002 Chen
 6,416,060 B1 7/2002 Chen
 6,428,021 B1 8/2002 Tung
 6,443,470 B1 9/2002 Ulrich et al.
 D464,379 S * 10/2002 Lin D21/423
 6,462,493 B2 10/2002 Lan
 6,481,728 B2 11/2002 Chen
 6,481,729 B2 11/2002 Herman et al.
 D471,597 S 3/2003 Chen
 D471,598 S 3/2003 Chen
 D475,093 S 5/2003 Furter et al.
 6,619,416 B2 9/2003 Lan
 6,619,679 B2 9/2003 Lan
 6,672,607 B2 1/2004 Chung
 D486,532 S 2/2004 Christianson
 6,739,421 B1 5/2004 Miya
 D492,367 S 6/2004 Dennis
 D497,397 S 10/2004 Sramek
 6,832,660 B2 12/2004 Dodd
 D513,629 S 1/2006 Sramek
 D516,132 S 2/2006 Sramek
 7,351,265 B2 4/2008 Vitale et al.
 D569,447 S 5/2008 Thomas
 7,431,110 B2 10/2008 Greenwood et al.
 D579,987 S 11/2008 Hong
 D603,463 S 11/2009 Jessie, Jr.
 7,654,356 B2 2/2010 Wu
 7,976,035 B2 7/2011 Chan
 D645,522 S 9/2011 Powers et al.
 D654,963 S 2/2012 Powers et al.
 D656,560 S 3/2012 Patterson et al.
 8,292,018 B2 10/2012 Huang
 D671,600 S 11/2012 Horne
 D672,400 S 12/2012 Pizzi
 D684,217 S 6/2013 Hadley
 D691,671 S 10/2013 Chen et al.
 D692,963 S 11/2013 Radtke et al.
 D693,414 S 11/2013 Hadley et al.
 D698,868 S 2/2014 Chan
 D710,949 S 8/2014 Huang
 8,813,892 B2 8/2014 Hadley et al.
 D714,396 S 9/2014 Talios
 D715,870 S 10/2014 Talios
 8,870,200 B2 10/2014 Chen
 D717,881 S 11/2014 Radtke et al.
 8,925,935 B2 1/2015 Powers et al.
 D727,833 S 4/2015 Talios et al.
 9,045,189 B2 6/2015 Lovley, II et al.
 D736,324 S 8/2015 Lu et al.

9,114,821 B1 * 8/2015 Xu B62K 9/02
 D738,435 S 9/2015 O'Connell
 D748,738 S 2/2016 Hadley et al.
 D750,180 S 2/2016 Edlauer
 9,321,504 B2 4/2016 Hadley et al.
 D756,464 S 5/2016 Edlauer
 D756,465 S 5/2016 Byrne et al.
 D772,990 S 11/2016 Allais
 D774,145 S 12/2016 Hadley et al.
 D774,601 S 12/2016 Mizrahi et al.
 D777,844 S 1/2017 Connell
 D778,806 S 2/2017 Welford
 9,592,876 B2 3/2017 Lovley, II et al.
 9,660,500 B2 5/2017 Huang
 D806,176 S 12/2017 Peng
 D810,836 S 2/2018 Hadley
 D811,489 S 2/2018 Hadley et al.
 D815,215 S 4/2018 Desberg
 D818,541 S 5/2018 Huang
 D829,826 S 10/2018 Liu et al.
 D830,468 S 10/2018 Liu
 10,099,745 B2 10/2018 Hadley et al.
 D834,097 S 11/2018 Lin et al.
 10,124,851 B2 11/2018 Lovley, II et al.
 D836,727 S 12/2018 Wilson et al.
 D837,303 S 1/2019 Desberg
 D839,358 S 1/2019 Cao
 D839,359 S 1/2019 Hadley
 10,189,533 B2 1/2019 Lovley, II et al.
 D849,153 S 5/2019 Zhang et al.
 D855,115 S 7/2019 Yan
 D872,192 S 1/2020 Hadley
 D873,349 S 1/2020 Huang
 10,737,743 B2 8/2020 Hadley et al.
 2002/0093161 A1 7/2002 Udwin et al.
 2002/0105157 A1 * 8/2002 Chen B62K 3/002
 280/87.041
 2002/0170763 A1 11/2002 Townsend
 2003/0168273 A1 9/2003 Ducharme et al.
 2003/0221888 A1 12/2003 McKinney, Jr. et al.
 2005/0012289 A1 * 1/2005 Wang B62H 1/12
 280/87.041
 2005/0173175 A1 8/2005 Lee
 2006/0049595 A1 3/2006 Crigler et al.
 2007/0045976 A1 3/2007 Wu
 2008/0203691 A1 8/2008 Hsu
 2009/0071740 A1 3/2009 Palmer
 2009/0160150 A1 * 6/2009 Johnson B62K 3/002
 280/87.041
 2010/0123295 A1 * 5/2010 Landau A63C 17/01
 280/87.042
 2013/0026734 A1 1/2013 Zhang et al.
 2013/0087983 A1 4/2013 Ngai
 2013/0186698 A1 7/2013 Sarokhan
 2013/0320648 A1 12/2013 Eckert et al.
 2017/0240239 A1 8/2017 Huang et al.
 2019/0193809 A1 6/2019 Hadley
 2019/0263468 A1 8/2019 Huang

FOREIGN PATENT DOCUMENTS

CN 2452873 Y 10/2001
 CN 204021174 U 12/2014
 DE 201 07 388 U1 7/2001
 WO WO 2015/095368 6/2015
 WO WO 2015/114614 A2 8/2015
 WO WO 2017/127464 A1 7/2017

* cited by examiner

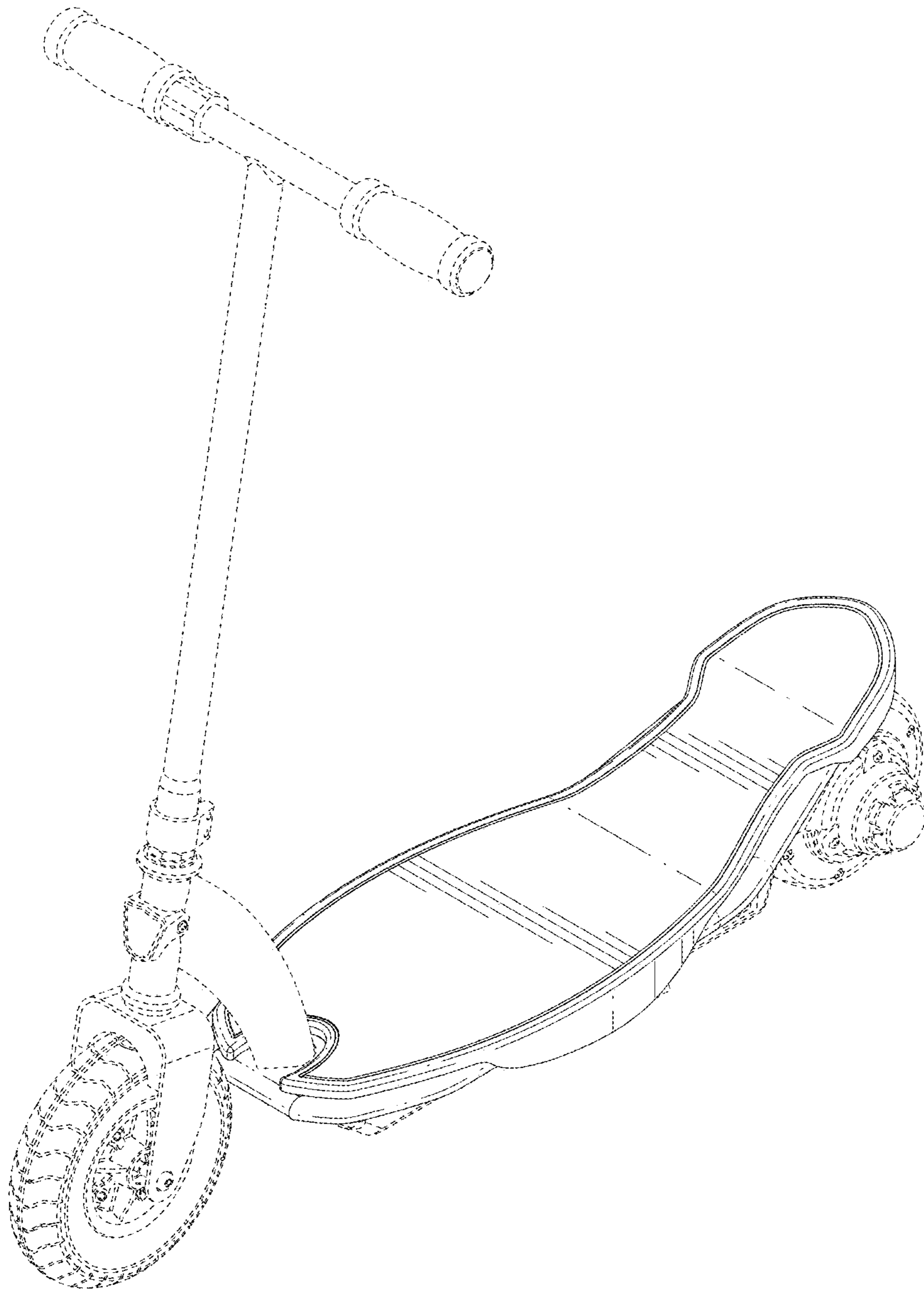


FIG. 1

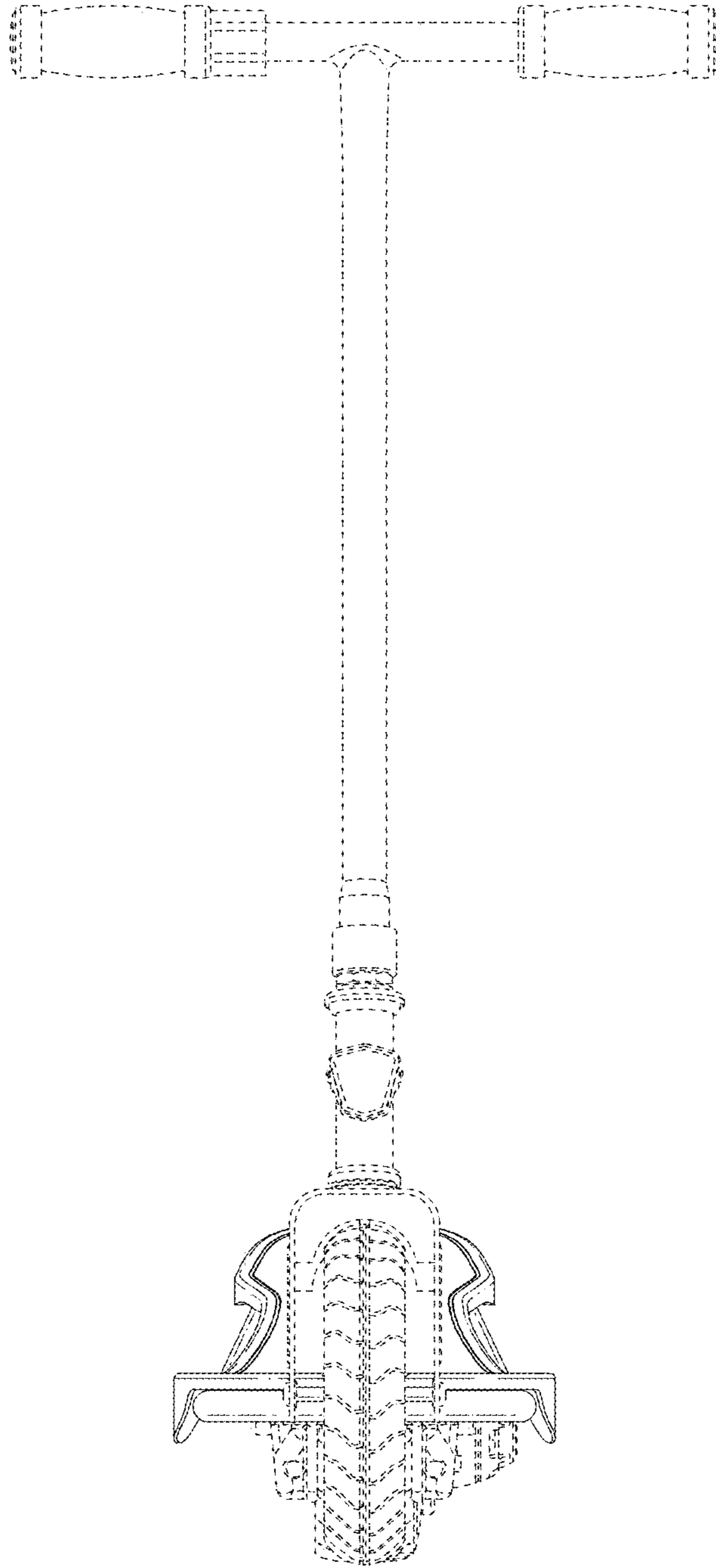


FIG. 2

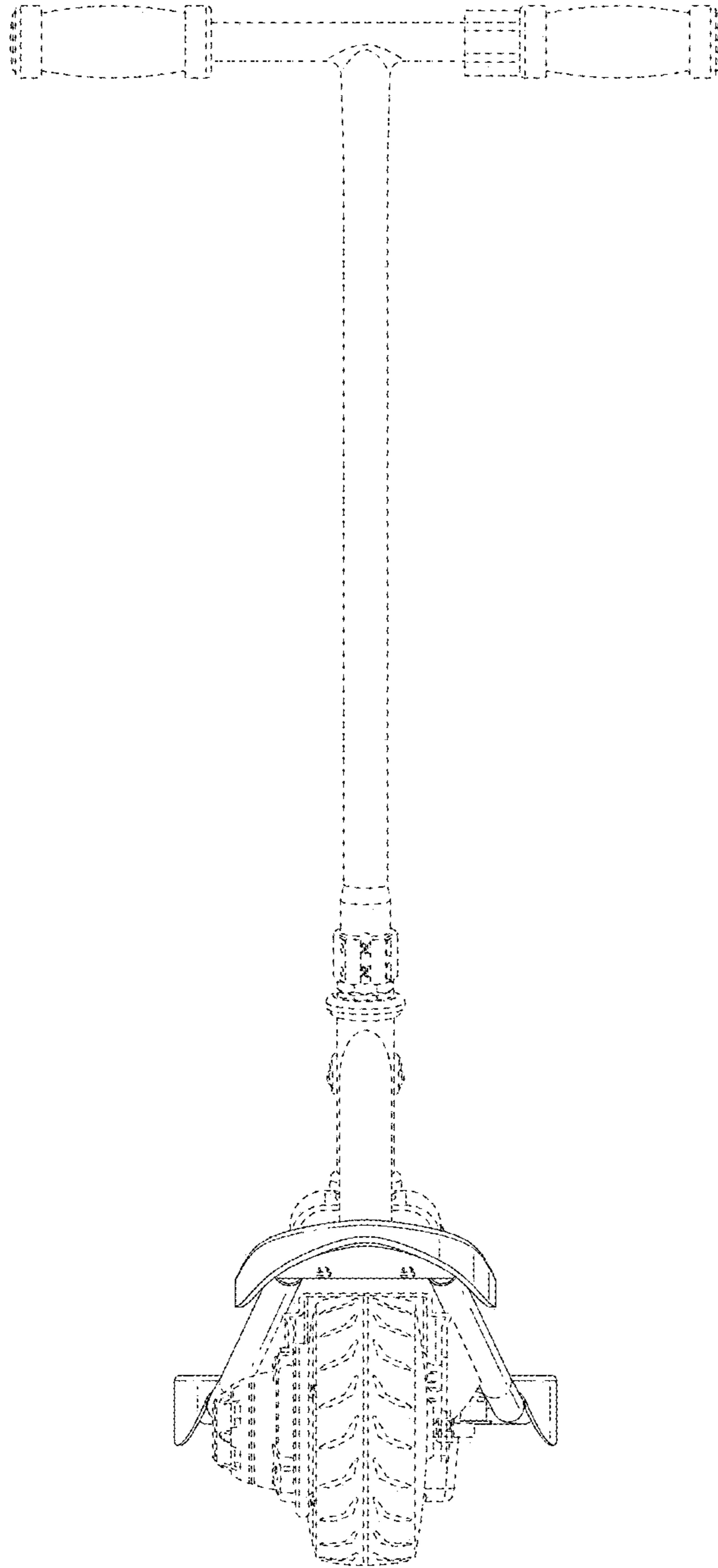


FIG. 3

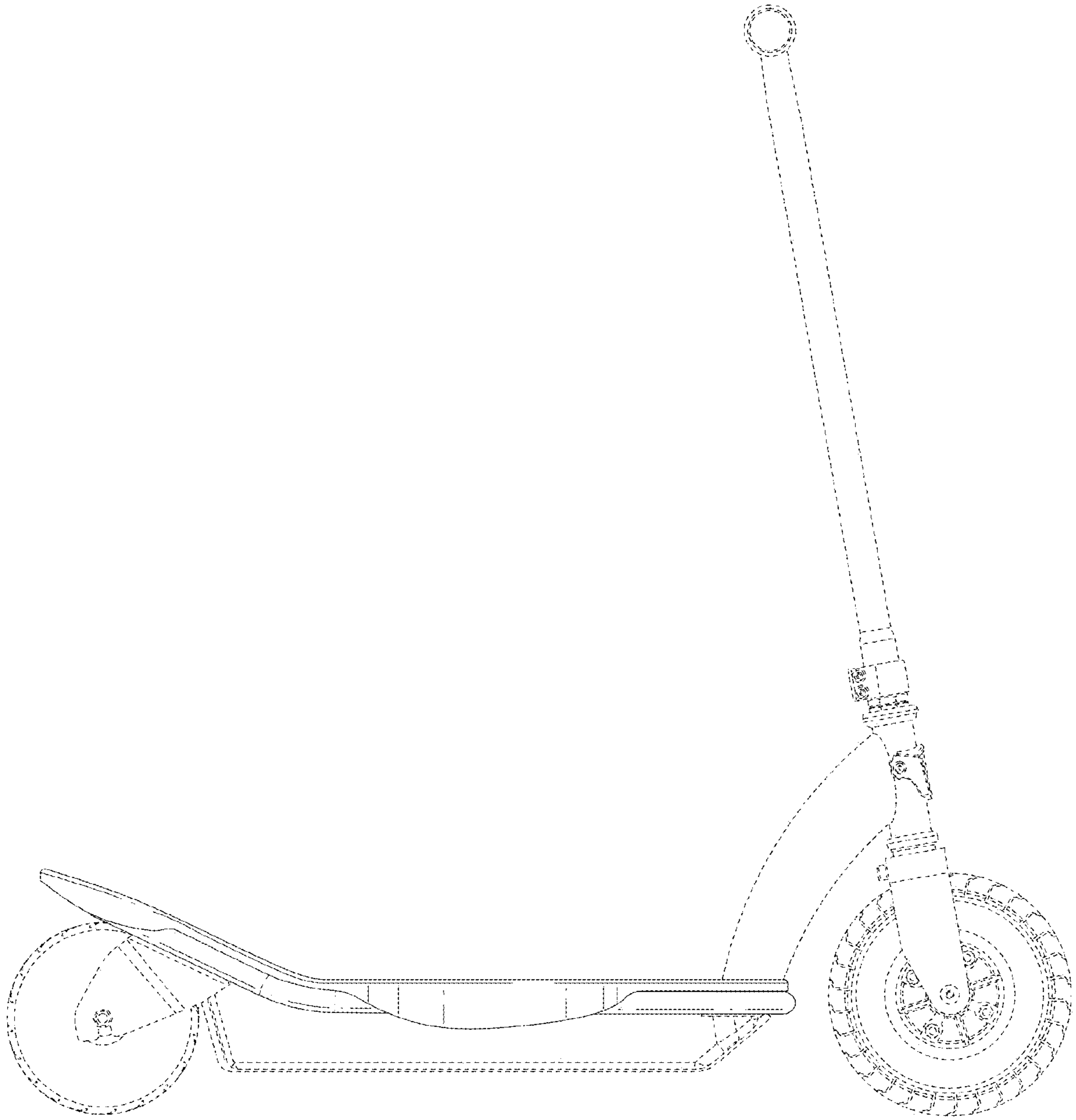


FIG. 4

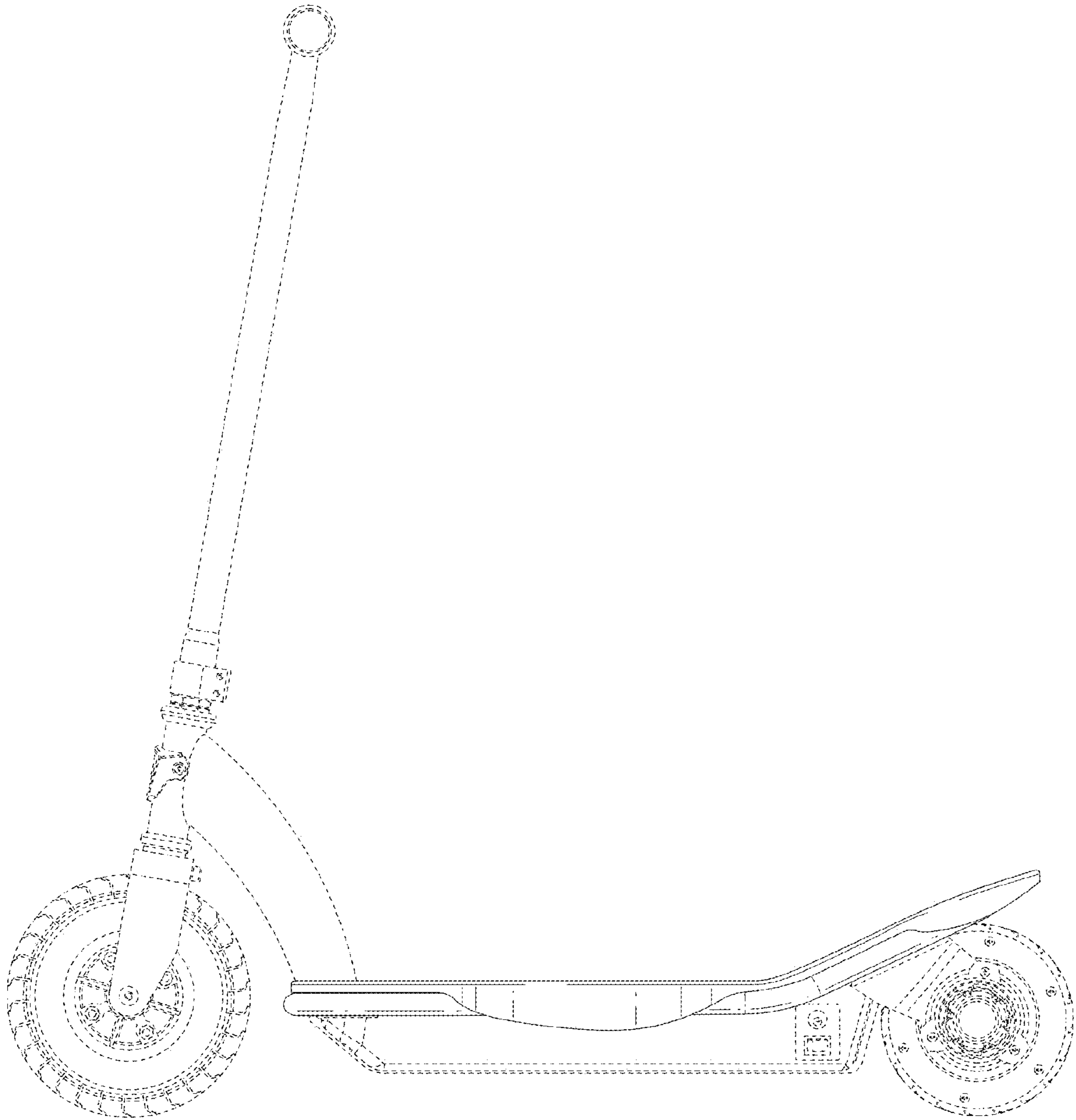


FIG. 5

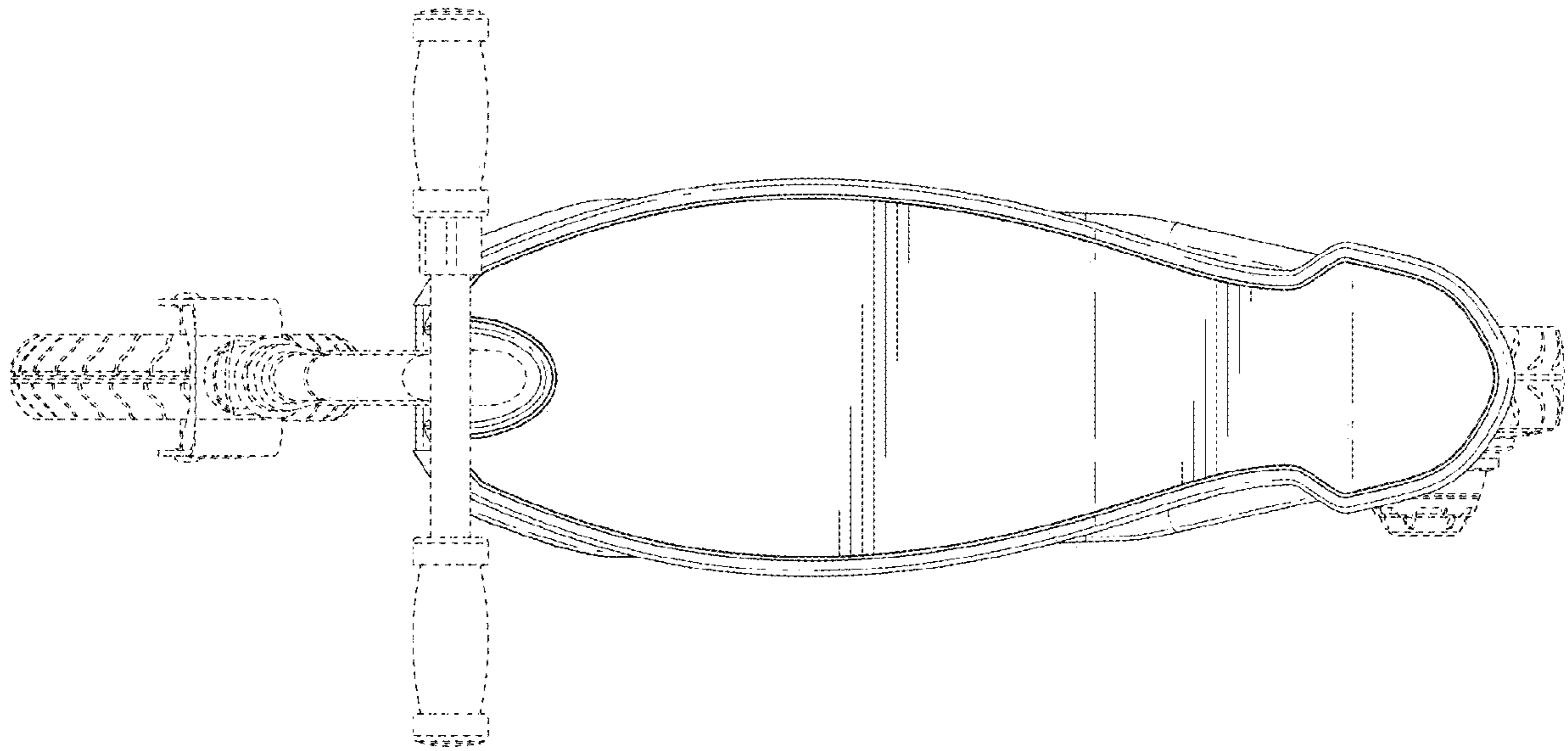


FIG. 6

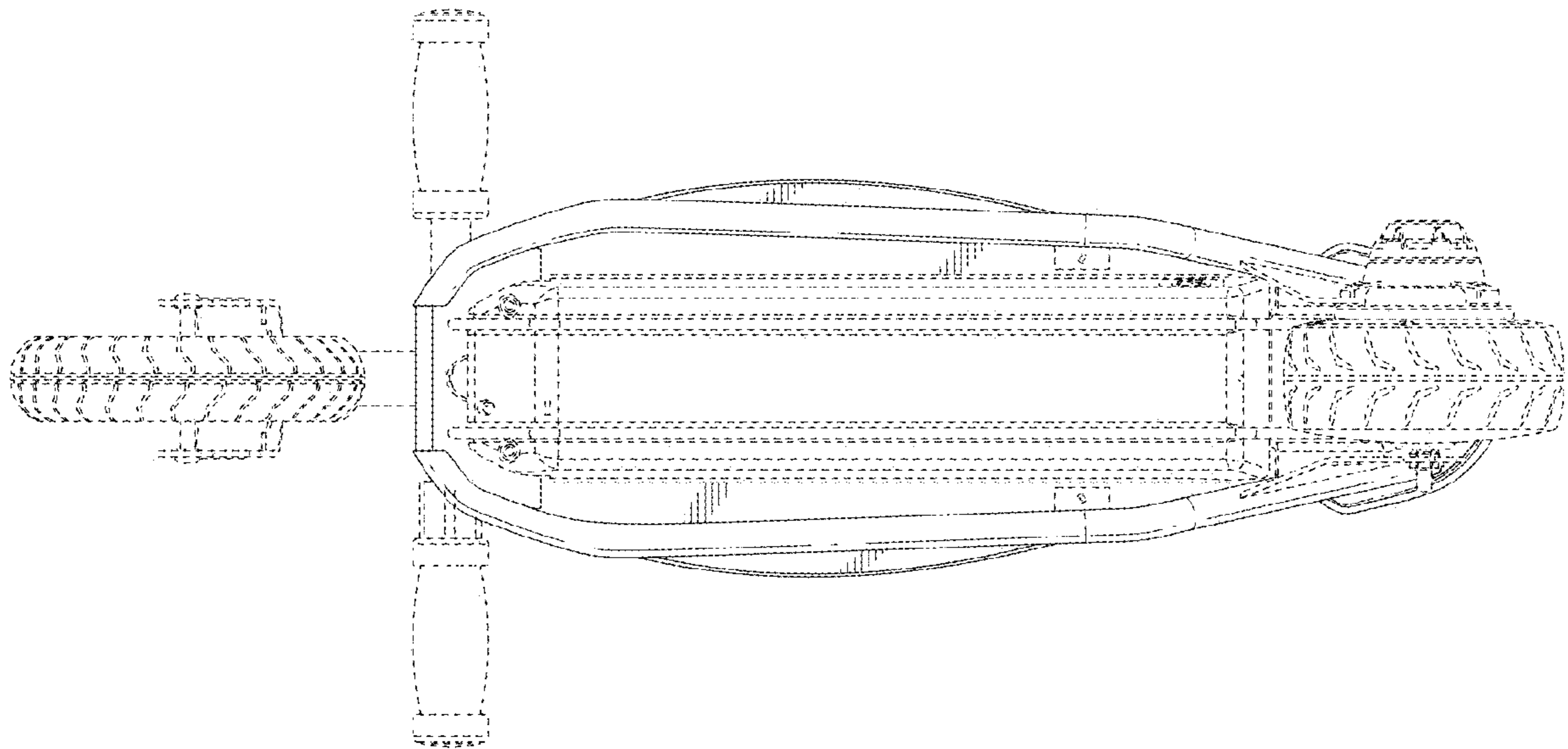


FIG. 7