

US00D910765S

(12) **United States Design Patent** (10) **Patent No.:** **US D910,765 S**
Delgado (45) **Date of Patent:** **** Feb. 16, 2021**

(54) **ANGLED GAME TABLE**

OTHER PUBLICATIONS

(71) Applicant: **Ricardo Alcala Delgado**, Windermere, FL (US)

Teqball, Good luck for our Friend . . . , Apr. 11, 2016, published on Instagram.com [retrieved from the internet on Aug. 10, 2020]. <URL: https://www.instagram.com/p/BEEZNDkjbXe/ > (Year: 2016).
Airsoccer_official, Aluminum Pro#1 Table, Aug. 12, 2019, published on Instagram.com [retrieved from the internet on Aug. 10, 2020]. <URL: https://www.instagram.com/p/B1FOb8kAMIA/ > (Year: 2019).*

(72) Inventor: **Ricardo Alcala Delgado**, Windermere, FL (US)

(**) Term: **15 Years**

* cited by examiner

(21) Appl. No.: **29/709,357**

(22) Filed: **Oct. 14, 2019**

Primary Examiner — George D. Kirschbaum

(51) **LOC (13) Cl.** **21-01**

Assistant Examiner — Joseph J Kukella

(52) **U.S. Cl.**

(74) *Attorney, Agent, or Firm* — Dunlap Bennett & Ludwig, PLLC

USPC **D21/397**

(58) **Field of Classification Search**

USPC D6/641, 656–656.19, 685, 688.1, D6/691–691.9; D21/334, 335, 363, 365, D21/385, 397, 522, 782, 783, 784
CPC A47B 3/00–0918; A47B 9/00; A47B 9/003
See application file for complete search history.

(57) **CLAIM**

The ornamental design for an angled game table, as shown and described.

(56) **References Cited**

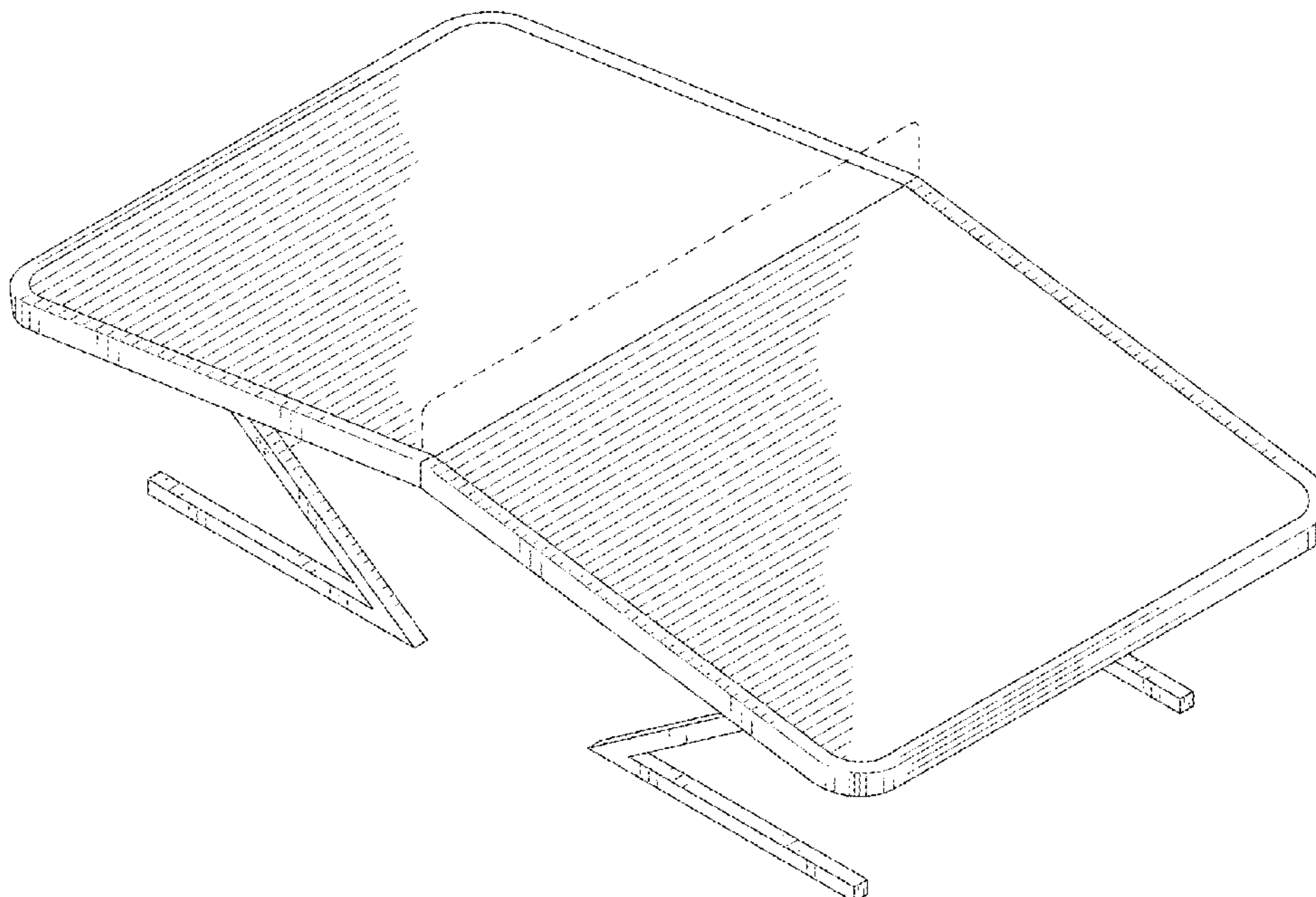
DESCRIPTION

U.S. PATENT DOCUMENTS

D515,841 S * 2/2006 Hsu D6/691.6
D538,355 S * 3/2007 Tyson D21/317
8,091,490 B2 * 1/2012 Branch A47B 3/087
108/169
D713,894 S * 9/2014 Lopez D21/397
D754,797 S * 4/2016 Fissell D21/397
9,763,513 B2 * 9/2017 Cai A47B 3/087
D809,070 S * 1/2018 Fissell D21/397
D836,726 S * 12/2018 Wasserman D21/397
D844,353 S * 4/2019 Horowitz A47B 3/087
D6/686
D854,622 S * 7/2019 Fissell A47B 3/087
D21/397
D867,798 S * 11/2019 Clegg D6/707.26

FIG. 1 is a top perspective view of an angled game table, showing my new design;
FIG. 2 is a front elevation view thereof, the rear elevation view being a mirror image thereof;
FIG. 3 is a left-side elevation view thereof, the right-side elevation view being a mirror image thereof; and,
FIG. 4 is a top plan view thereof.
The broken lines shown in the drawings depict portions of the angled game table that form no part of the claimed design.

1 Claim, 3 Drawing Sheets



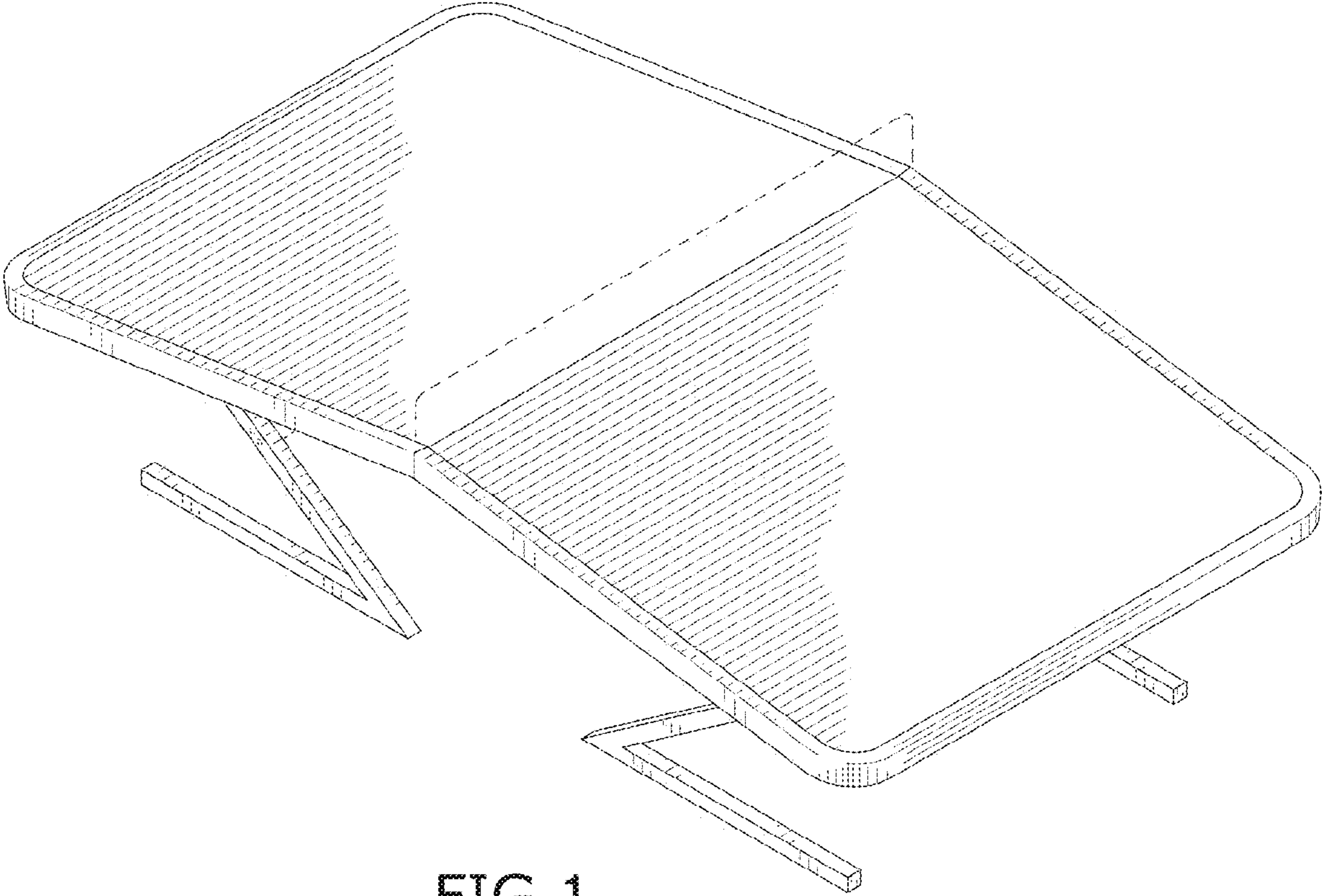


FIG. 1

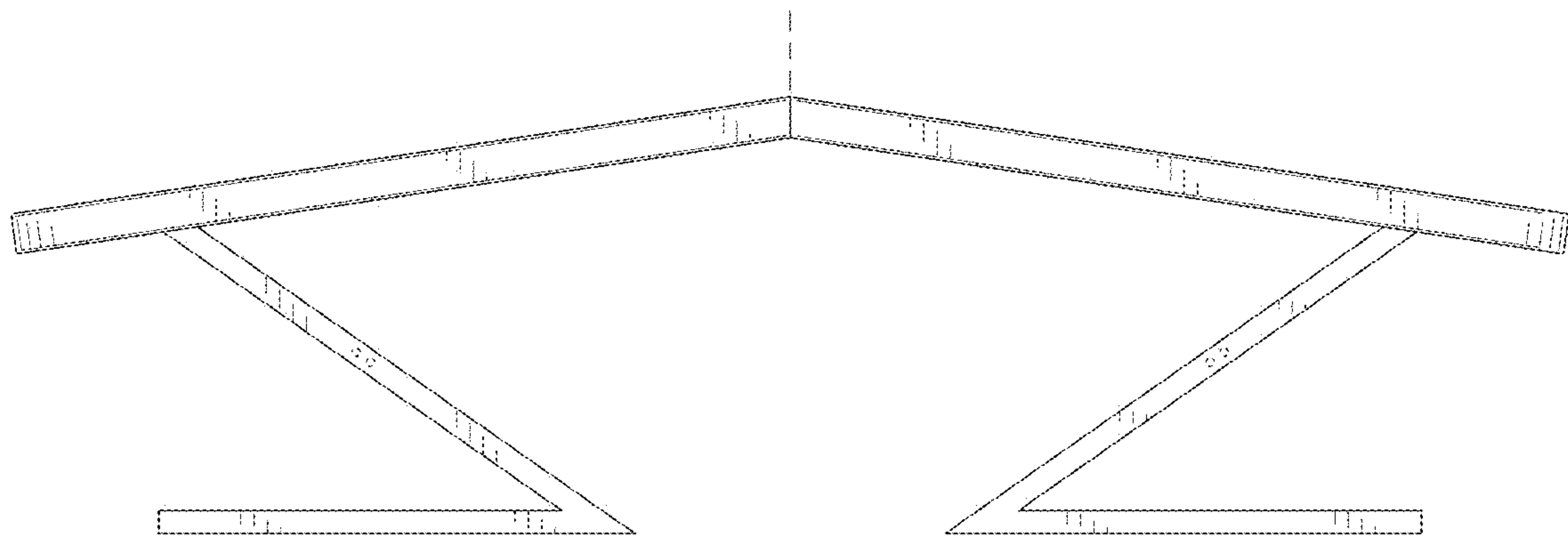


FIG. 2

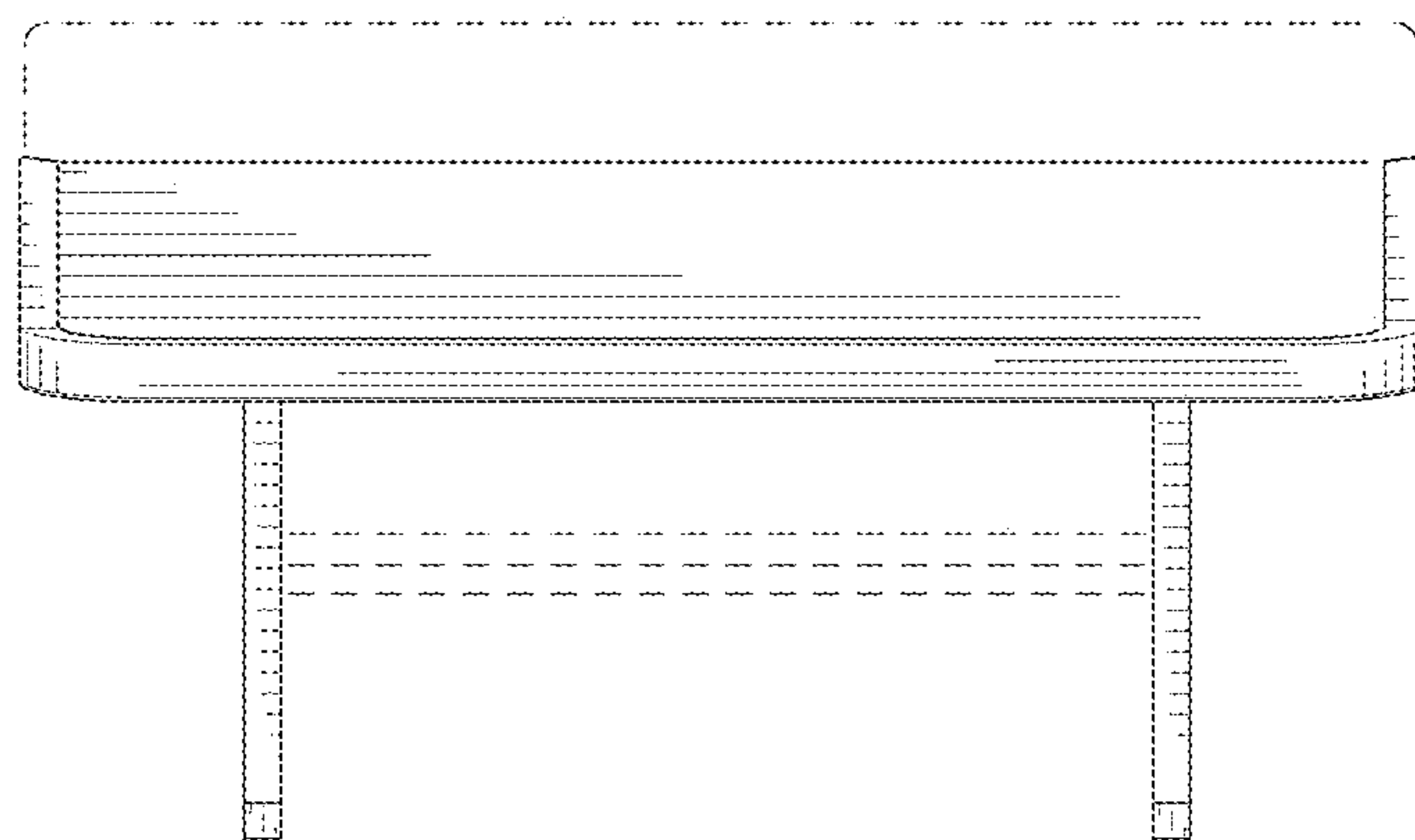


FIG. 3

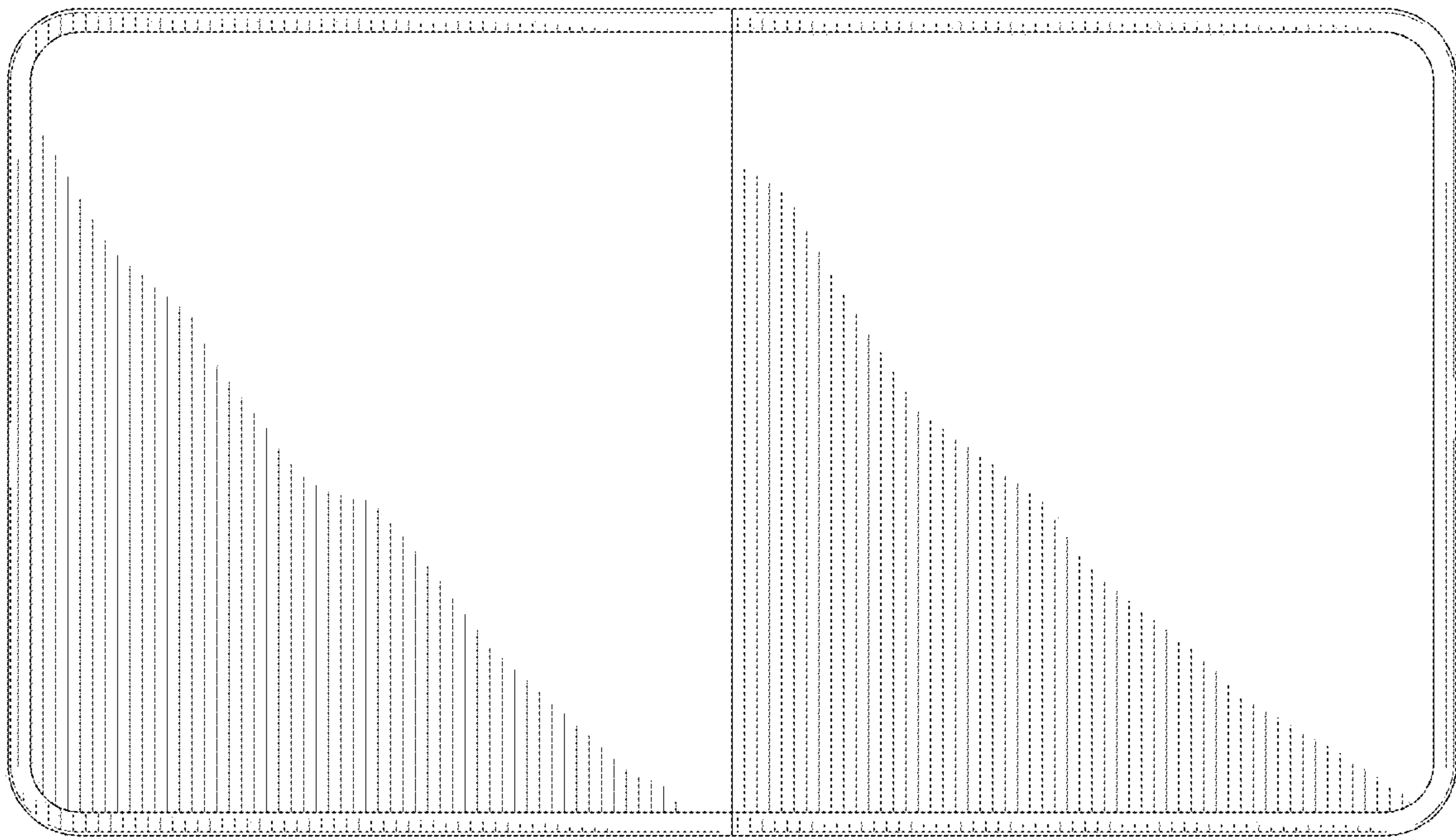


FIG.4