



US00D910764S

(12) **United States Design Patent** (10) **Patent No.:** **US D910,764 S**
Berman et al. (45) **Date of Patent:** **** Feb. 16, 2021**

(54) **GAME TURN DEVICE**
(71) Applicants: **F. Lee Berman**, Weston, FL (US);
Joanne Lieberman, Weston, FL (US)
(72) Inventors: **F. Lee Berman**, Weston, FL (US);
Joanne Lieberman, Weston, FL (US)
(**) Term: **15 Years**
(21) Appl. No.: **29/750,801**
(22) Filed: **Sep. 16, 2020**
(51) **LOC (13) Cl.** **21-01**
(52) **U.S. Cl.**
USPC **D21/386**
(58) **Field of Classification Search**
USPC D10/46.1, 102, 103; D21/300, 334, 335,
D21/363, 365, 370, 385-389, 392, 397
CPC .. A63F 1/062; A63F 1/067; A63F 1/08; A63F
1/10; A63F 1/12; A63F 1/14; A63B
71/06; A63B 71/0608
See application file for complete search history.

D867,464 S * 11/2019 Daniels A63B 67/06
D21/385
D884,081 S * 5/2020 Fremgen D21/386
D889,555 S * 7/2020 Pham D21/386
D894,287 S * 8/2020 McDevitt, Sr. D21/387

OTHER PUBLICATIONS

Green Turtle, Turn Tracker—Compatible with Aeronautica imperialis, on Etsy.com, Oct. 28, 2020. Retrieved from the internet on Oct. 28, 2020. <URL: <https://www.etsy.com/listing/734905745/turn-tracker-compatible-with-aeronautica> > (Year: 2020).*

* cited by examiner

Primary Examiner — George D. Kirschbaum
Assistant Examiner — Joseph J Kukella
(74) *Attorney, Agent, or Firm* — Sanchelima & Associates, P.A.; Christian Sanchelima; Jesus Sanchelima

(57) **CLAIM**

The ornamental design for a game turn device, as shown and described.

DESCRIPTION

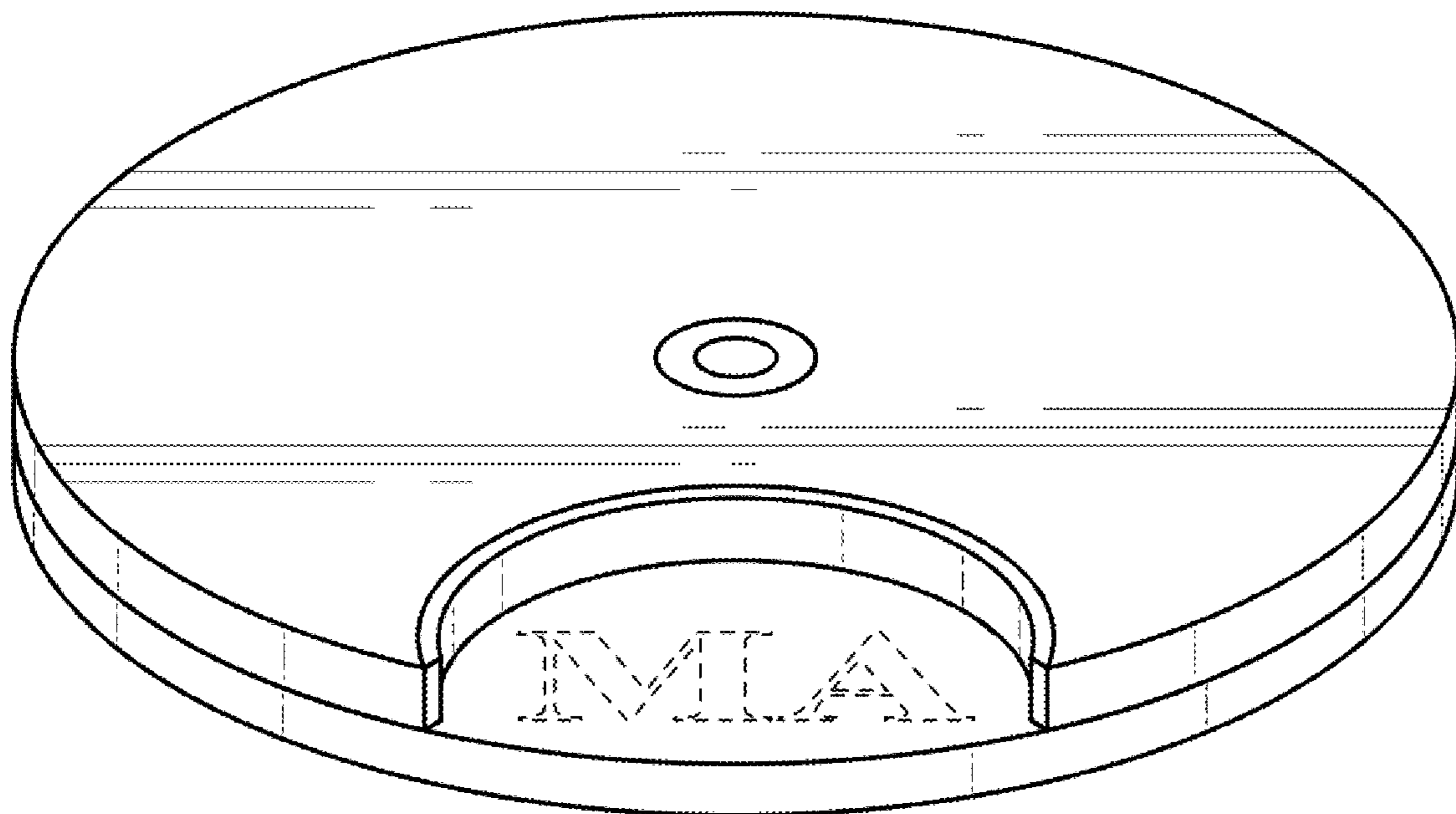
FIG. 1 is an exploded isometric view of a game turn device showing my new design;
FIG. 2 is an assembled isometric view thereof;
FIG. 3 is a top plan view thereof;
FIG. 4 is a bottom plan view thereof;
FIG. 5 is a front elevational view thereof;
FIG. 6 is a rear elevational view thereof;
FIG. 7 is a right elevational view thereof; and,
FIG. 8 is a left side elevational view thereof.
In the drawings the broken lines illustrate portions of the game turn device that form no part of the claimed design.

1 Claim, 3 Drawing Sheets

(56) **References Cited**

U.S. PATENT DOCUMENTS

D165,925 S * 2/1952 McKenzie D27/132
D252,916 S * 9/1979 Van Exel D10/46.1
D261,399 S * 10/1981 Wagner D10/46.1
5,501,468 A * 3/1996 Browne A63B 67/06
473/588
D381,049 S * 7/1997 Rocheleau A63F 9/0415
D21/385
D404,719 S * 1/1999 Suzuki D13/171
D550,297 S * 9/2007 Luciano, Jr. D13/171
D550,300 S * 9/2007 Luciano, Jr. D21/369
D550,305 S * 9/2007 Luciano, Jr. D13/174
8,033,547 B1 * 10/2011 Bryce A63F 9/0415
273/146



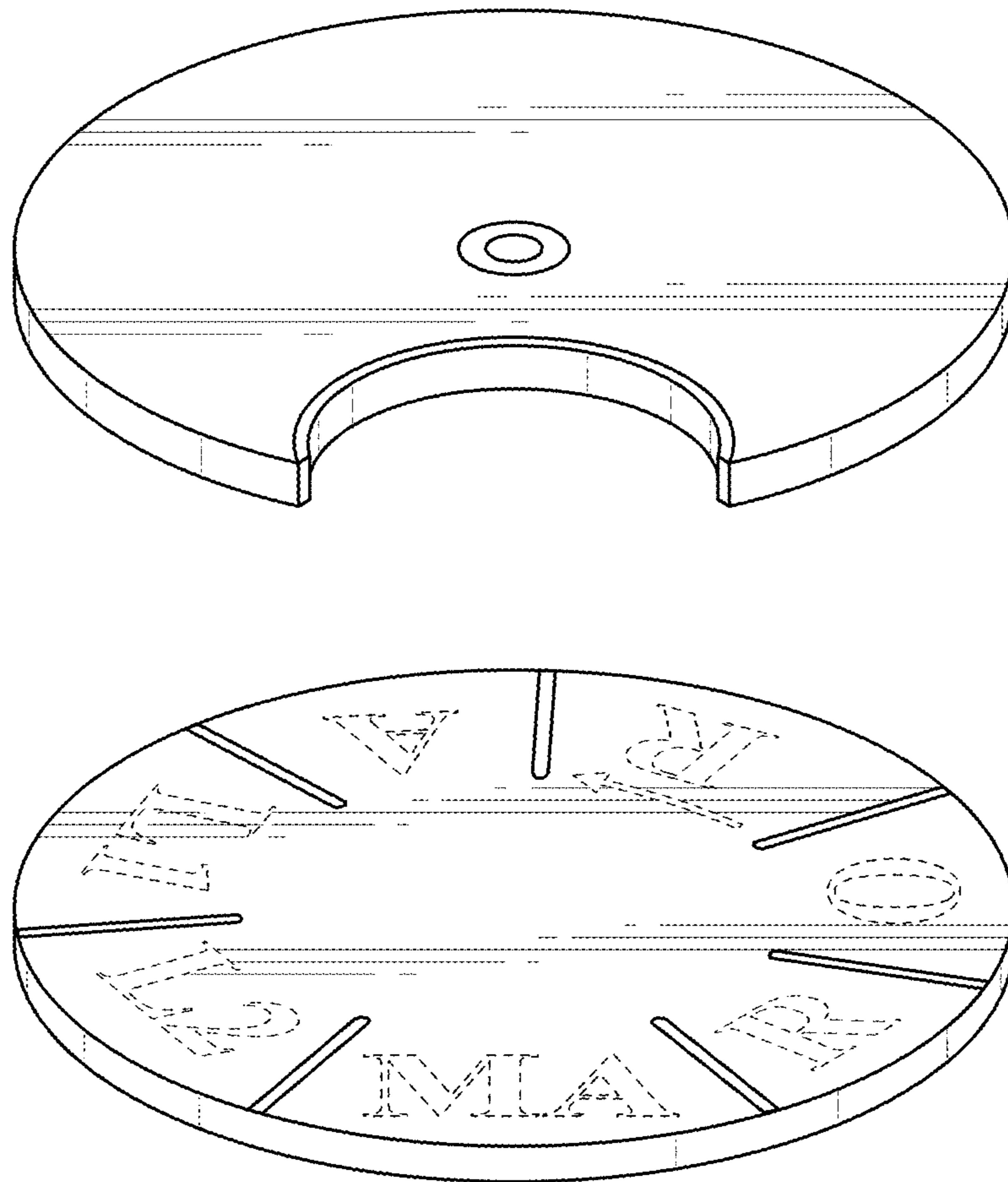


FIG. 1

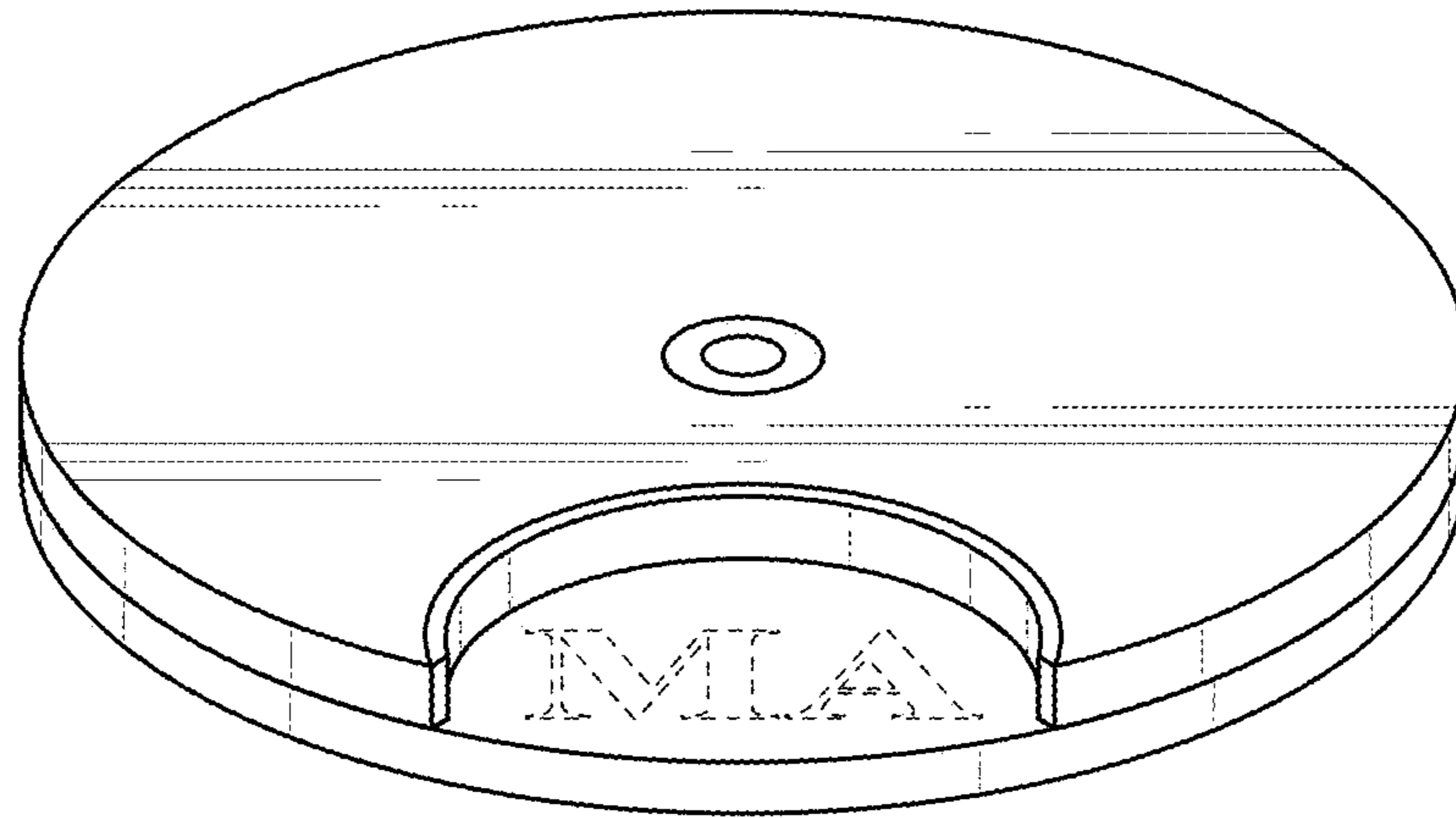


FIG. 2

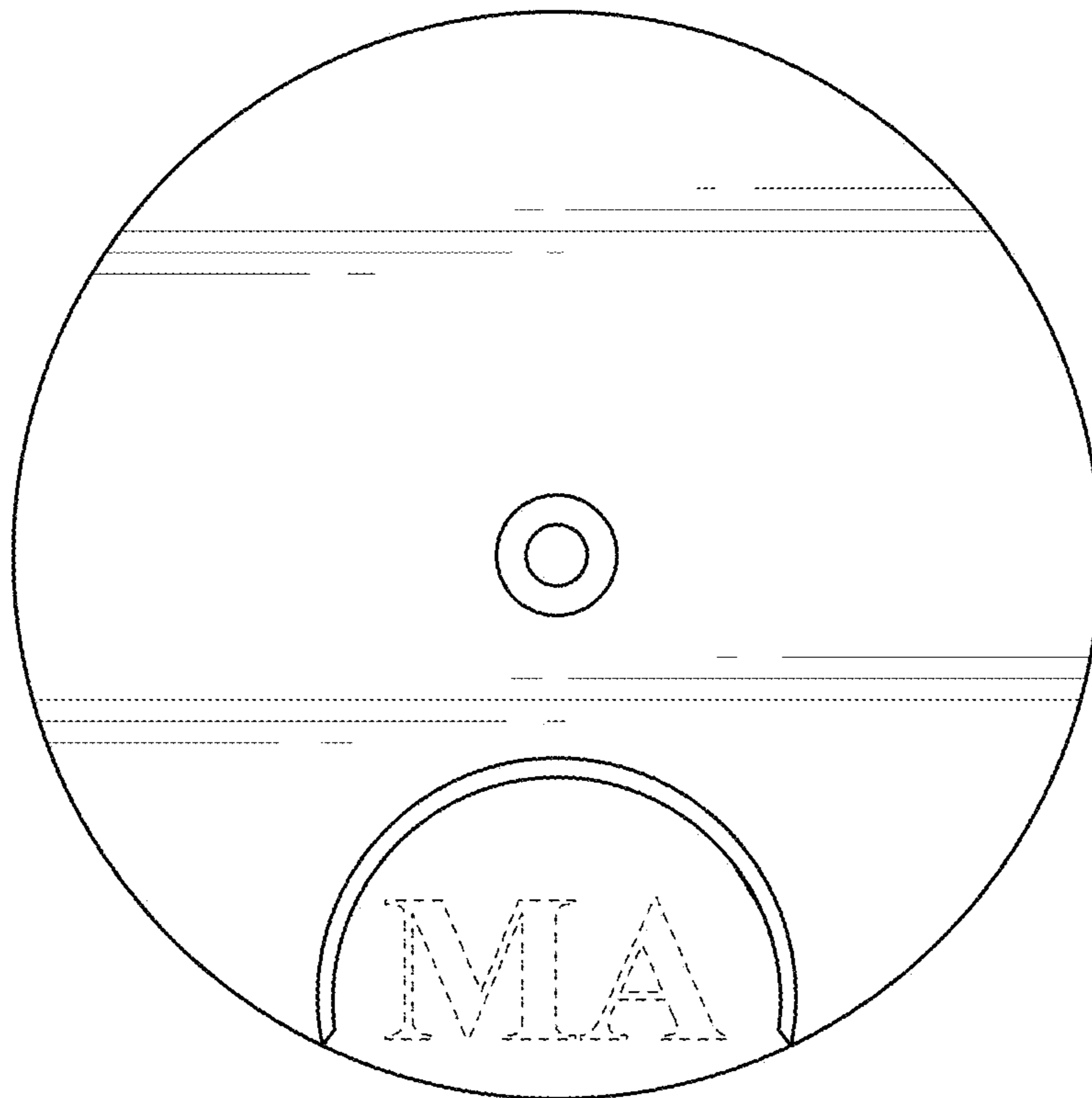


FIG. 3

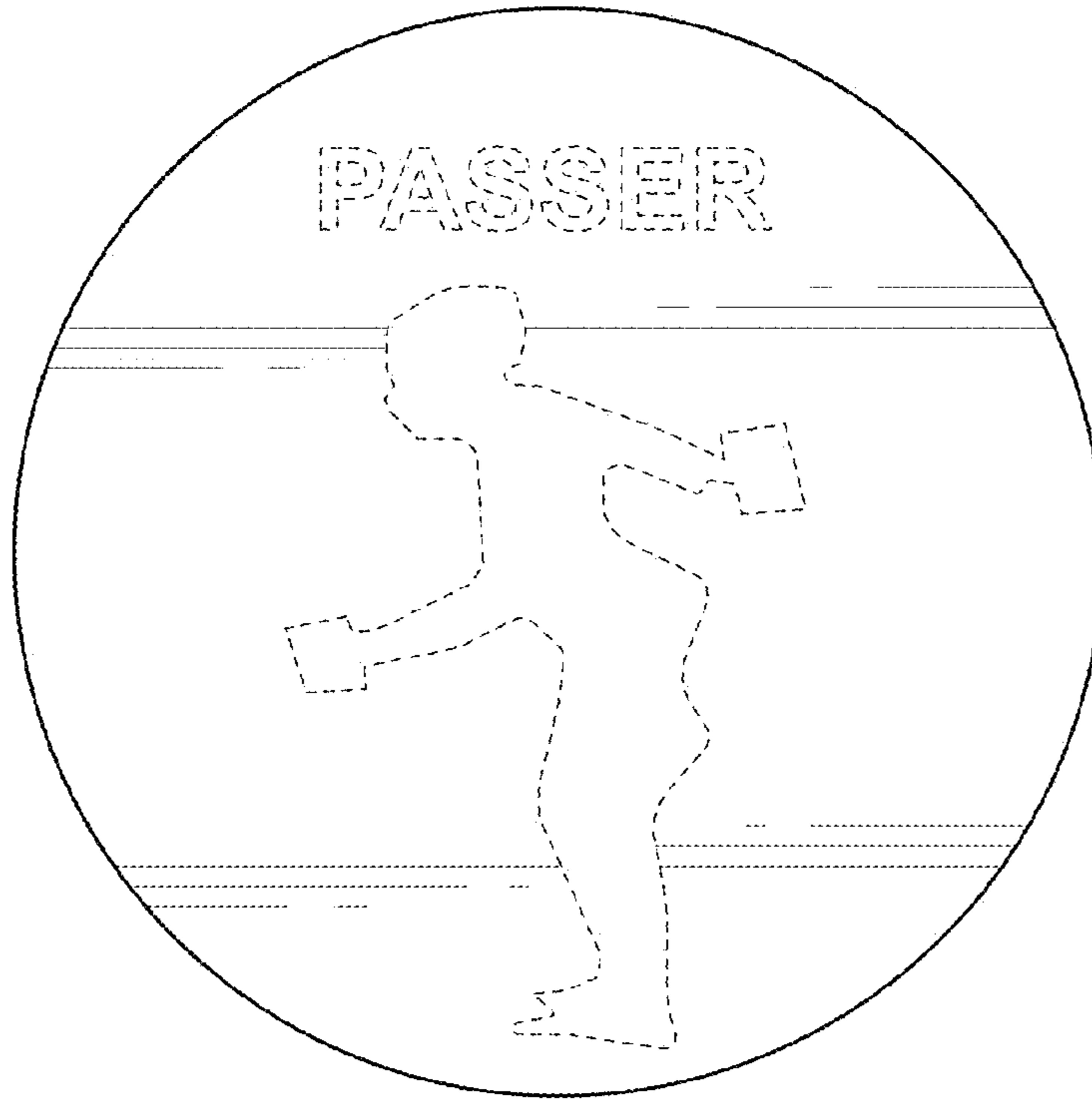


FIG. 4



FIG. 5

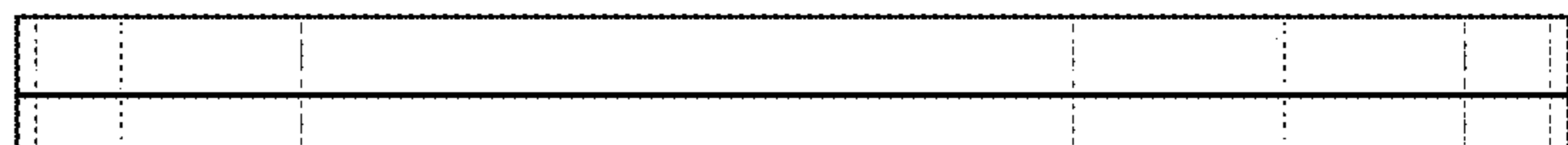


FIG. 6



FIG. 7

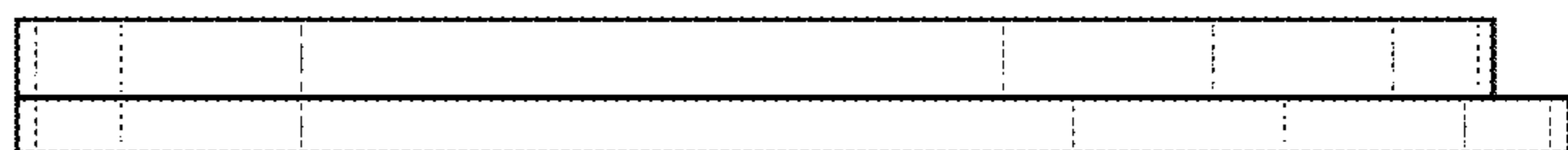


FIG. 8