



US00D910762S

(12) **United States Design Patent** (10) **Patent No.:** **US D910,762 S**
DeMarco et al. (45) **Date of Patent:** **** *Feb. 16, 2021**

(54) **GAMING MACHINE**

(71) Applicant: **ARISTOCRAT TECHNOLOGIES AUSTRALIA PTY LIMITED**, North Ryde (AU)

(72) Inventors: **Dominic J. DeMarco**, Round Rock, TX (US); **Bruce Edward Urban**, Las Vegas, NV (US); **James Franklin Stair**, Las Vegas, NV (US); **Ariel David Turgel**, San Francisco, CA (US); **Daniel Harden**, Palo Alto, CA (US); **Alexander Abele**, Aalen (DE)

(73) Assignee: **Aristocrat Technologies Australia Pty Limited**, North Ryde (AU)

(*) Notice: This patent is subject to a terminal disclaimer.

(**) Term: **15 Years**

(21) Appl. No.: **29/684,894**

(22) Filed: **Mar. 25, 2019**

(51) **LOC (13) Cl.** **21-03**

(52) **U.S. Cl.**
USPC **D21/369**

(58) **Field of Classification Search**
USPC D21/369, 370, 371, 385, 329, 325, 394; D14/307, 172, 129, 325, 401, 371, 126, D14/439, 432, 450, 128, 375, 248, 374, D14/341, 138 G, 127; 463/28, 13, 11, 463/16, 20, 25, 31, 46, 23, 30, 17, 36, 29, 463/42, 34, 32, 35, 19, 21, 22; 273/292, 273/203, 138.2, 143 R, 142 R, 138.1;
(Continued)

(56) **References Cited**

U.S. PATENT DOCUMENTS

D415,124 S 10/1999 Rooyakkers
D428,864 S 8/2000 Rooyakkers
D464,377 S 10/2002 Wurz

(Continued)

OTHER PUBLICATIONS

Office Action dated Jun. 1, 2020 for U.S. Appl. No. 29/684,808 (pp. 1-9).

(Continued)

Primary Examiner — Ryan Harvey

(74) *Attorney, Agent, or Firm* — Armstrong Teasdale LLP

(57) **CLAIM**

We claim the ornamental design for a gaming machine, as shown and described.

DESCRIPTION

FIG. 1 is a front perspective view of a gaming machine showing our new design;

FIG. 2 is a front view of the gaming machine shown in FIG. 1;

FIG. 3 is a back view of the gaming machine shown in FIG. 1;

FIG. 4 is a right side view of the gaming machine shown in FIG. 1;

FIG. 5 is a left side view of the gaming machine shown in FIG. 1;

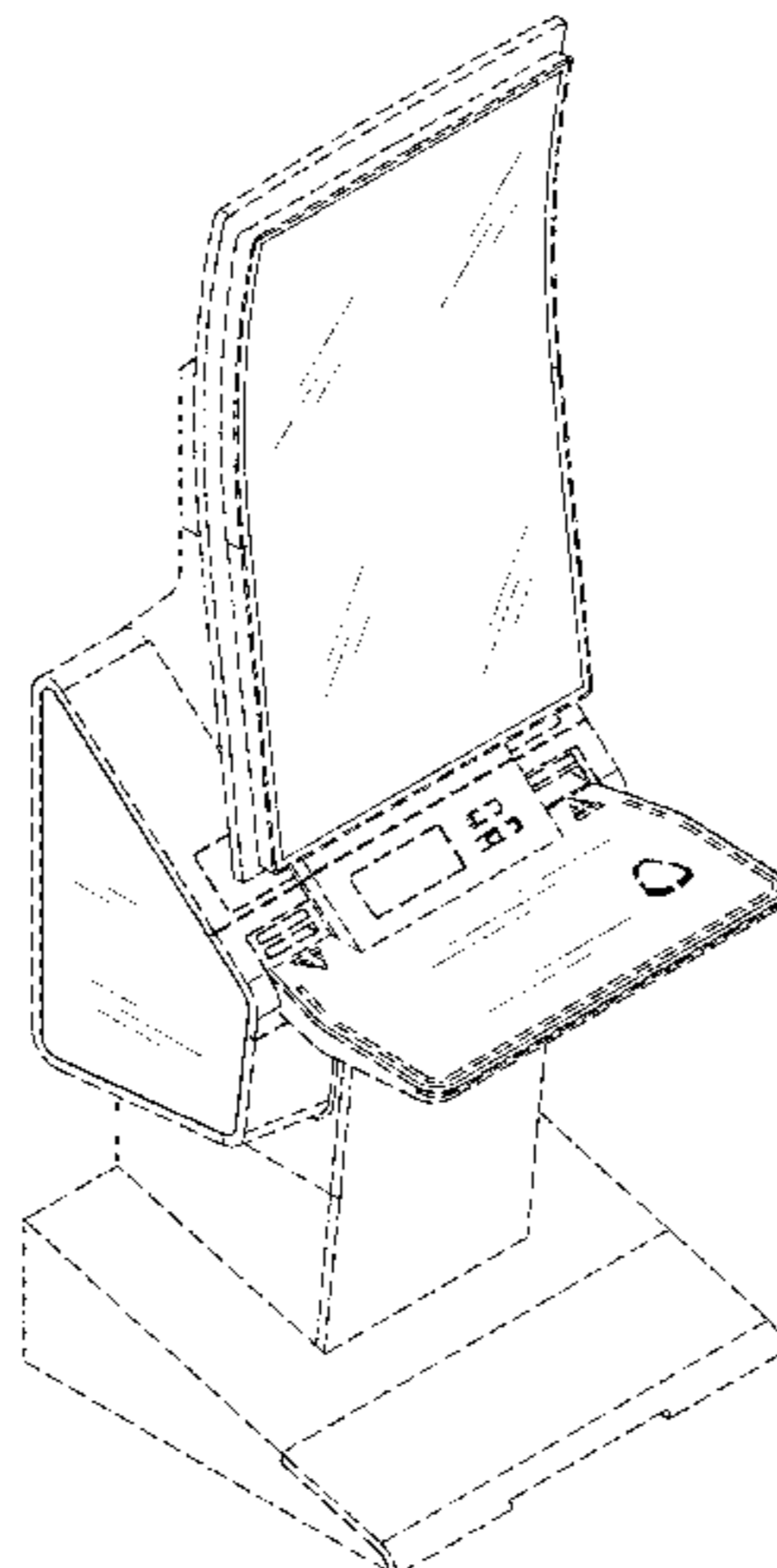
FIG. 6 is a top view of the gaming machine shown in FIG. 1;

FIG. 7 is a bottom view of the gaming machine shown in FIG. 1;

FIG. 8 is a front perspective view of a gaming machine showing an alternative embodiment of our new design; and, FIG. 9 is a front view of the gaming machine shown in FIG. 8.

The broken line showing of portions of the gaming machine depicts environment and forms no part of the claimed design.

1 Claim, 9 Drawing Sheets



(58) **Field of Classification Search**
 USPC D19/60; D16/226; D8/335, 331, 334;
 D26/141; D7/641
 CPC G07F 17/32; G07F 17/34; G07F 17/3211;
 G07F 17/3244; G07F 17/3267
 See application file for complete search history.

(56) **References Cited**
 U.S. PATENT DOCUMENTS

D479,243 S 9/2003 Ohashi
 D508,719 S 8/2005 de Haas
 D513,044 S 12/2005 Morrison
 6,997,810 B2 2/2006 Cole
 D531,677 S 11/2006 Mallory
 D546,893 S 7/2007 Yamashita
 D560,724 S 1/2008 Johnson
 D560,725 S 1/2008 Johnson
 D562,338 S 2/2008 Keohane
 D572,314 S 7/2008 Vallejo
 D579,456 S 10/2008 Chen
 D587,319 S 2/2009 Moises Deiab
 D599,858 S 9/2009 Lesley
 D599,859 S 9/2009 Lesley
 D604,773 S 11/2009 De Viveiros Ortiz
 D612,432 S 3/2010 De Viveiros Ortiz
 D613,802 S 4/2010 Meyers
 D619,177 S 7/2010 Lee
 D622,781 S 8/2010 Lesley
 D626,182 S 10/2010 Cole
 D628,208 S 11/2010 Potemski
 D646,337 S 10/2011 Kelly
 D652,454 S 1/2012 Yepez
 D666,625 S 9/2012 Gilmore
 D668,261 S 10/2012 Arnold
 D673,620 S 1/2013 Johnson
 D673,621 S 1/2013 Johnson
 D677,736 S 3/2013 Dorn
 D678,956 S 3/2013 Lesley
 D679,722 S 4/2013 Ray
 D685,033 S 6/2013 Wudtke
 D689,899 S 9/2013 Lee
 D691,665 S 10/2013 Chudek
 D693,841 S 11/2013 Velasco
 D695,733 S 12/2013 Damhuis
 D697,558 S 1/2014 Myers
 D704,273 S 5/2014 Chudek
 D706,741 S 6/2014 Myers
 D707,646 S * 6/2014 Kim D14/138 G
 D713,841 S 9/2014 Lim
 8,832,598 B2 9/2014 Hirata
 D719,616 S 12/2014 Inoue
 D723,626 S 3/2015 Vasquez
 D727,431 S 4/2015 Themann
 D728,585 S 5/2015 Lee
 D730,993 S 6/2015 Castro
 D732,520 S 6/2015 Themann
 D734,733 S 7/2015 Park
 D736,171 S 8/2015 Lee
 D740,887 S 10/2015 Randazzo
 D740,888 S 10/2015 DePalma
 D742,974 S 11/2015 Lesley
 D749,342 S 2/2016 Escandon
 D759,096 S 6/2016 Seo
 D760,275 S 6/2016 Zhang
 D765,136 S 8/2016 Lee
 RE46,169 E 10/2016 Kelly
 D772,240 S 11/2016 Edstrom
 D772,273 S 11/2016 Spector
 D773,512 S 12/2016 Miura
 D780,852 S 3/2017 Sharp
 D785,664 S 5/2017 Yao
 D790,563 S 6/2017 Lam
 9,679,435 B2 6/2017 Schrementi
 9,704,337 B2 7/2017 Riggs
 D794,661 S 8/2017 Nishizawa
 D794,664 S 8/2017 Okabe

D801,435 S 10/2017 Themann
 D803,323 S 11/2017 Bussey
 D803,324 S 11/2017 Bussey
 D809,068 S 1/2018 Ballman
 D809,069 S 1/2018 Ballman
 D812,146 S * 3/2018 Castro D21/369
 D812,147 S * 3/2018 Castro D21/369
 D812,148 S * 3/2018 Castro D21/369
 D812,149 S * 3/2018 Castro D21/369
 D814,455 S 4/2018 Kwon
 D816,079 S 4/2018 Yamazaki
 D818,048 S 5/2018 Calhoun
 D819,747 S 6/2018 Castro
 D820,915 S 6/2018 Lee
 D826,338 S 8/2018 Bussey
 D832,356 S 10/2018 Castro
 D833,534 S 11/2018 Lee
 D834,652 S 11/2018 Lee
 10,127,761 B2 11/2018 Woels
 10,181,236 B2 * 1/2019 Goldstein G07F 17/3216
 D843,458 S * 3/2019 Castro D21/369
 D843,467 S 3/2019 Johnson
 D843,468 S 3/2019 Johnson
 D843,473 S 3/2019 Zedell, Jr.
 D843,474 S 3/2019 Lesley
 D843,475 S 3/2019 Lesley
 D843,476 S 3/2019 Lesley
 D843,477 S * 3/2019 Lesley D21/369
 D843,478 S * 3/2019 Lesley D21/369
 D843,479 S * 3/2019 Castro D21/369
 D843,480 S * 3/2019 Castro D21/369
 D843,482 S * 3/2019 Holland D21/396
 D844,062 S * 3/2019 Lesley D21/369
 D846,650 S 4/2019 Stair
 D847,905 S 5/2019 Lewis
 D849,149 S 5/2019 Bussey
 D849,150 S 5/2019 Gallagher
 D850,536 S 6/2019 Stair
 D850,537 S * 6/2019 Urban D21/370
 D854,621 S 7/2019 Calhoun
 D858,641 S 9/2019 Legras
 D858,642 S 9/2019 Legras
 D859,347 S 9/2019 Kwon
 D862,602 S 10/2019 Kariya
 D865,066 S 10/2019 Ortiz De Viveiros
 D865,873 S 11/2019 Lewis
 D866,666 S 11/2019 Ditton
 D866,667 S 11/2019 Stair
 D866,668 S 11/2019 Ditton
 D868,165 S 11/2019 Ortiz De Viveiros
 D870,818 S 12/2019 Curbbun
 D870,820 S * 12/2019 Urban D21/369
 D871,506 S * 12/2019 Castro D21/369
 D871,507 S * 12/2019 Urban D21/369
 D872,190 S 1/2020 Zedell, Jr.
 D875,091 S 2/2020 Kwon
 10,580,252 B2 3/2020 Whelan
 D880,605 S 4/2020 Bussey
 D880,606 S 4/2020 Glenn, II
 D880,608 S * 4/2020 Glenn, II D21/369
 D880,610 S * 4/2020 Glenn, II D21/369
 D880,611 S * 4/2020 Glenn, II D21/369
 D880,612 S 4/2020 Bernard
 D880,613 S 4/2020 Bernard
 D880,614 S 4/2020 Bernard
 D880,615 S 4/2020 Bernard
 D881,284 S * 4/2020 Glenn D21/369
 D881,285 S * 4/2020 Glenn D21/369
 D882,697 S 4/2020 Lesley
 2013/0084948 A1 4/2013 Watkins
 2014/0335934 A1 11/2014 Meyer
 2015/0018070 A1 1/2015 Meyer
 2015/0036073 A1 2/2015 Im
 2016/0093143 A1 3/2016 Lamb
 2016/0195938 A1 7/2016 Kim
 2017/0039802 A1 2/2017 Prabhu
 2017/0046906 A1 2/2017 Hilbert
 2017/0092052 A1 3/2017 McKay
 2017/0301177 A1 10/2017 Pawloski

(56)

References Cited

U.S. PATENT DOCUMENTS

2018/0075689	A1 *	3/2018	Castro	G07F 17/322
2018/0078847	A1	3/2018	Sorreta	
2018/0078854	A1	3/2018	Achmueller	
2018/0082523	A1	3/2018	Palermo	
2019/0012874	A1	1/2019	Goldstein	
2019/0046872	A1	2/2019	Glenn, II	
2019/0096161	A1	3/2019	Barbour	
2019/0096170	A1	3/2019	Lewis	
2019/0096173	A1	3/2019	Brandau	
2019/0102971	A1	4/2019	Schoonmaker	
2019/0102974	A1	4/2019	Bussey	
2019/0102984	A1	4/2019	Gallagher	
2019/0287337	A1	9/2019	Shiraishi	
2020/0111291	A1	4/2020	Pariseau	
2020/0111295	A1	4/2020	Glenn	
2020/0111296	A1	4/2020	Miura	
2020/0111297	A1	4/2020	Kazama	
2020/0111328	A1	4/2020	Bland	

OTHER PUBLICATIONS

Office Action dated Jun. 1, 2020 for U.S. Appl. No. 29/684,812 (pp. 1-9).
 Office Action dated Jun. 1, 2020 for U.S. Appl. No. 29/684,832 (pp. 1-9).
 Office Action dated Jun. 1, 2020 for U.S. Appl. No. 29/684,836 (pp. 1-9).
 Office Action dated Jun. 1, 2020 for U.S. Appl. No. 29/684,844 (pp. 1-9).
 Office Action dated Jun. 1, 2020 for U.S. Appl. No. 29/684,849 (pp. 1-9).
 Office Action dated Jun. 5, 2020 for U.S. Appl. No. 29/684,847 (pp. 1-9).
 Office Action dated Jun. 12, 2020 for U.S. Appl. No. 29/684,810 (pp. 1-10).
 Office Action dated Jun. 12, 2020 for U.S. Appl. No. 29/684,814 (pp. 1-10).
 Office Action dated Jun. 12, 2020 for U.S. Appl. No. 29/684,817 (pp. 1-11).
 Office Action dated Jun. 12, 2020 for U.S. Appl. No. 29/684,838 (pp. 1-11).

Office Action dated Jun. 12, 2020 for U.S. Appl. No. 29/684,842 (pp. 1-11).
 Office Action dated Jun. 12, 2020 for U.S. Appl. No. 29/684,883 (pp. 1-8).
 Office Action dated Jun. 12, 2020 for U.S. Appl. No. 29/684,890 (pp. 1-9).
 Office Action dated Jun. 12, 2020 for U.S. Appl. No. 29/684,891 (pp. 1-9).
 Office Action dated Jun. 12, 2020 for U.S. Appl. No. 29/684,899 (pp. 1-9).
 Office Action dated Jun. 12, 2020 for U.S. Appl. No. 29/684,915 (pp. 1-10).
 Office Action dated Jun. 12, 2020 for U.S. Appl. No. 29/684,922 (pp. 1-10).
 Office Action dated Jun. 12, 2020 for U.S. Appl. No. 29/684,925 (pp. 1-10).
 Office Action dated Jun. 12, 2020 for U.S. Appl. No. 29/684,929 (pp. 1-10).
 Office Action dated Jun. 12, 2020 for U.S. Appl. No. 29/684,934 (pp. 1-10).
 Office Action dated Jun. 12, 2020 for U.S. Appl. No. 29/684,936 (pp. 1-10).
 Office Action dated Jun. 12, 2020 for U.S. Appl. No. 29/684,941 (pp. 1-12).
 Office Action dated Jul. 10, 2020 for U.S. Appl. No. 29/684,900 (pp. 1-10).
 Office Action dated Jul. 10, 2020 for U.S. Appl. No. 29/684,938 (pp. 1-13).
 Notice of Allowance dated Aug. 5, 2020 for U.S. Appl. No. 29/678,496 (pp. 1-7).
 Office Action dated Jun. 1, 2020 for U.S. Appl. No. 29/684,806 (pp. 1-9).
 Office Action dated Jun. 1, 2020 for U.S. Appl. No. 29/684,807 (pp. 1-8).
 Office Action dated Jun. 1, 2020 for U.S. Appl. No. 29/684,809 (pp. 1-7).
 Office Action dated Jun. 1, 2020 for U.S. Appl. No. 29/684,811 (pp. 1-7).
 Office Action dated Jun. 12, 2020 for U.S. Appl. No. 29/684,912 (pp. 1-10).
 Corrected Notice of Allowability dated Aug. 17, 2020 for U.S. Appl. No. 29/678,496 (pp. 1-4).

* cited by examiner

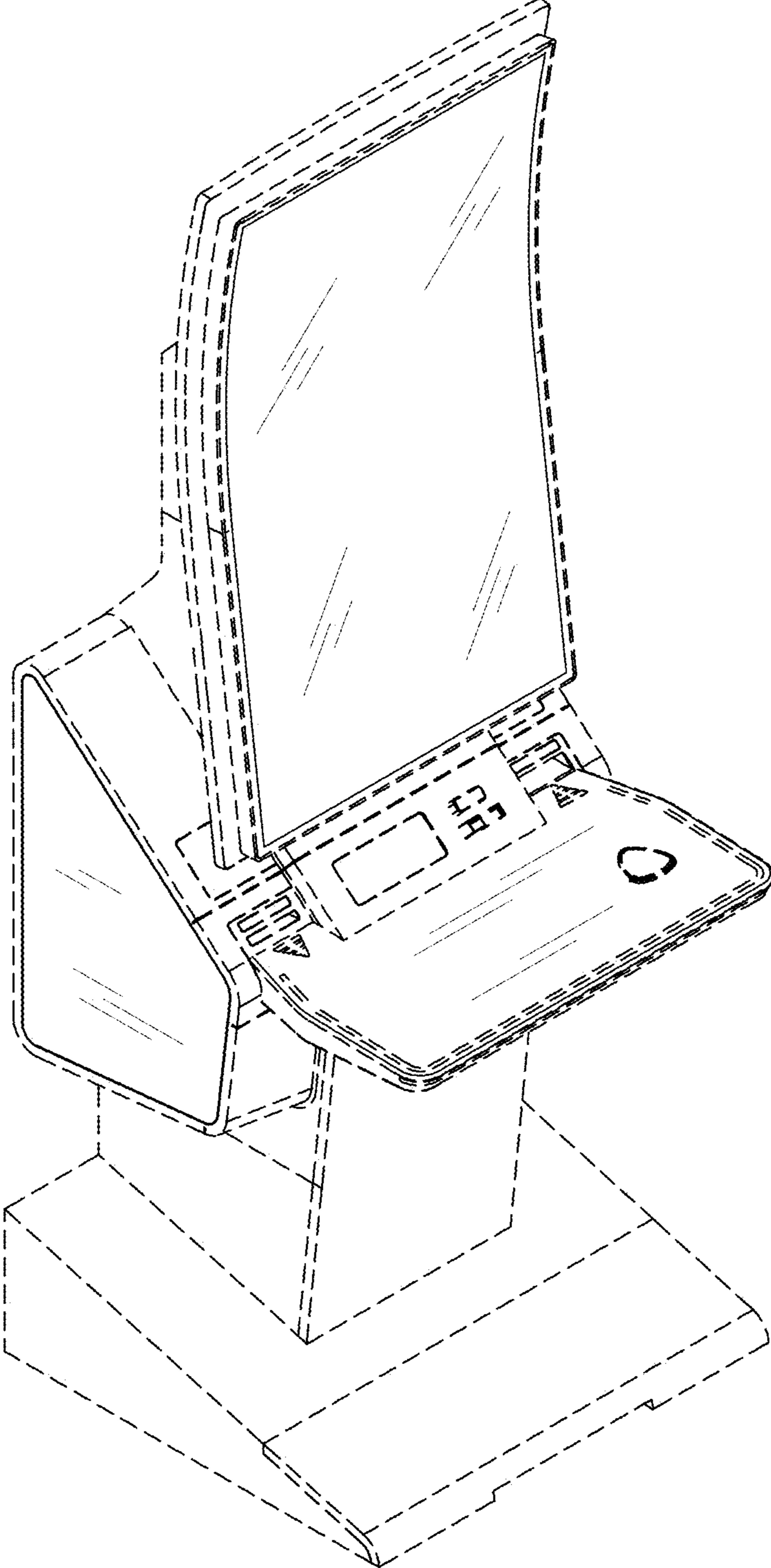


FIG. 1

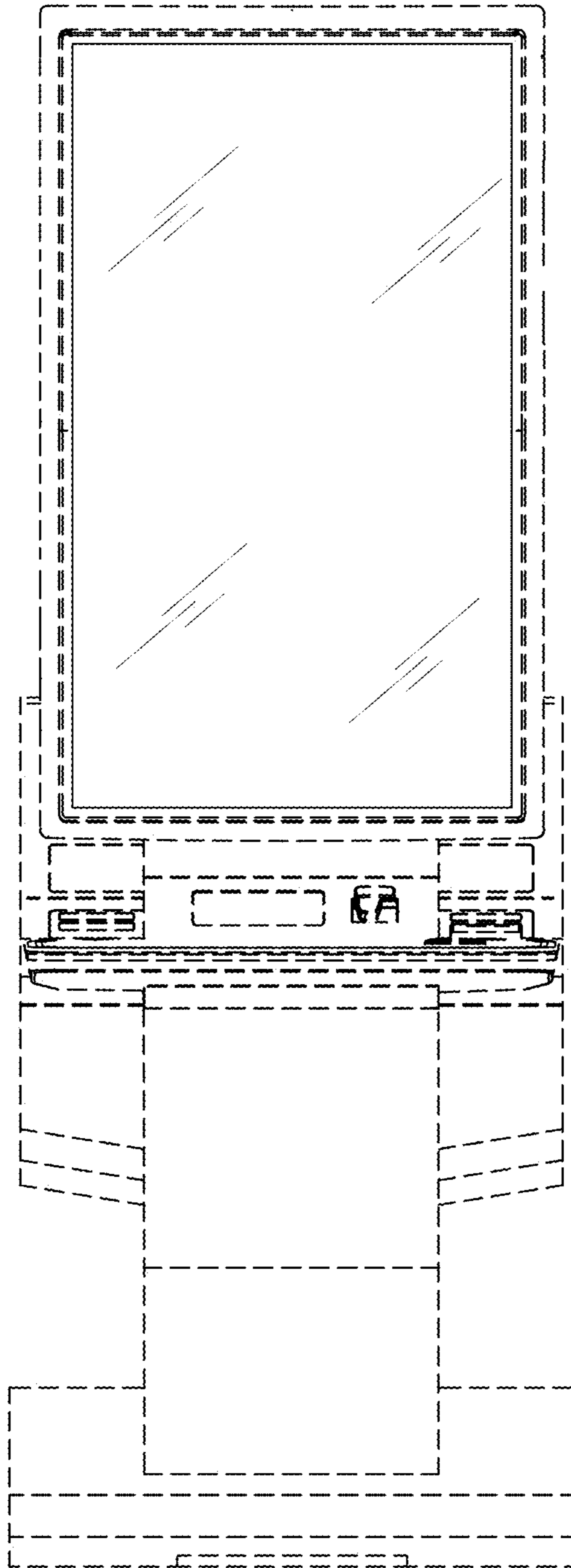


FIG. 2

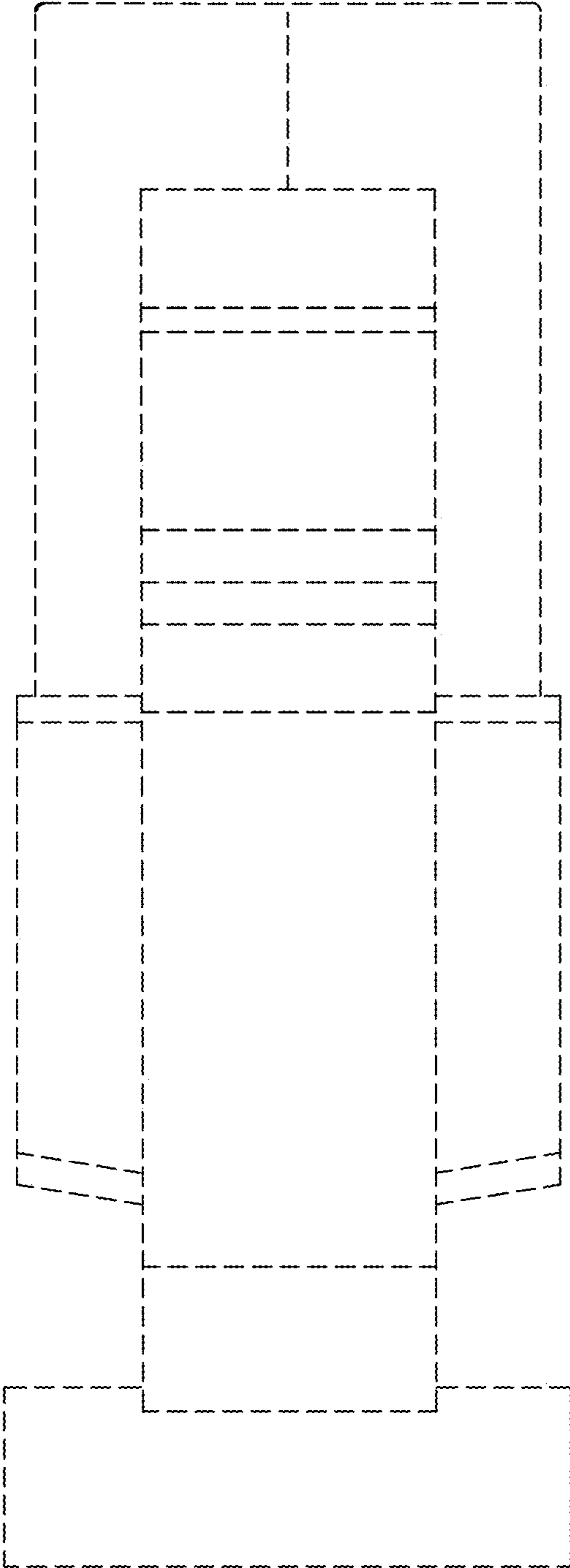


FIG. 3

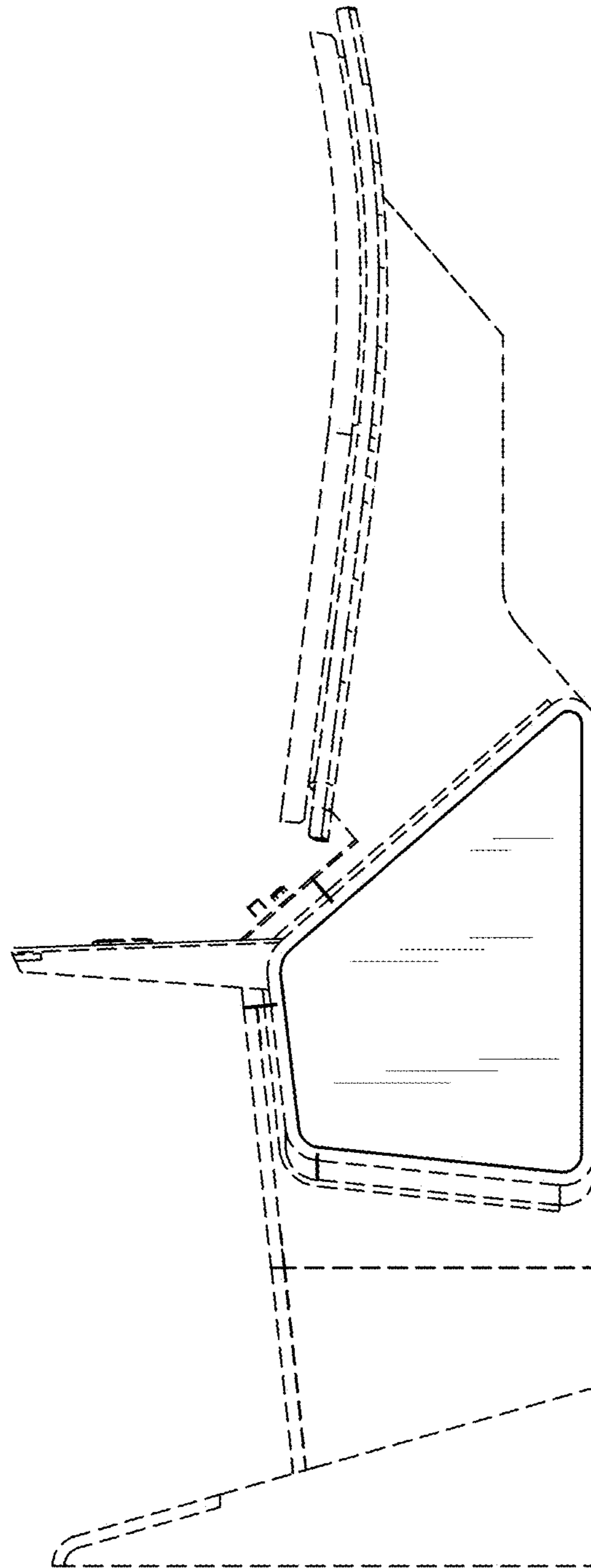


FIG. 4

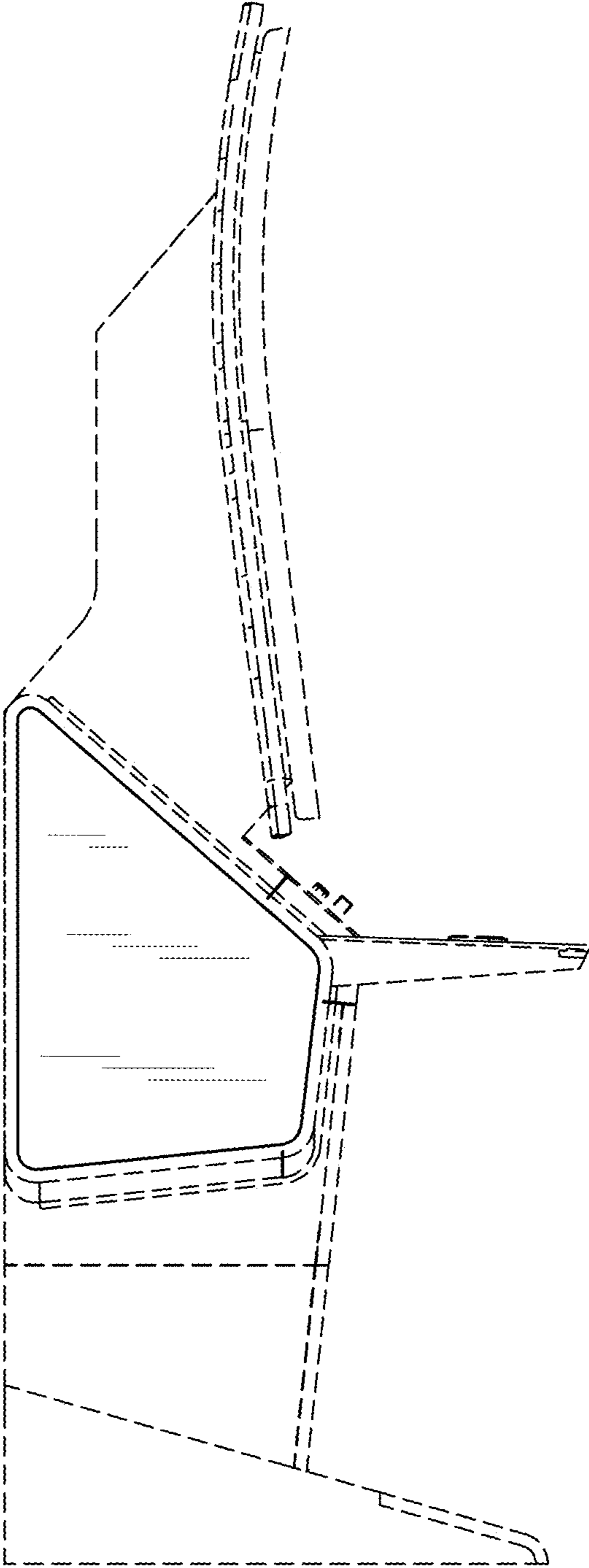


FIG. 5

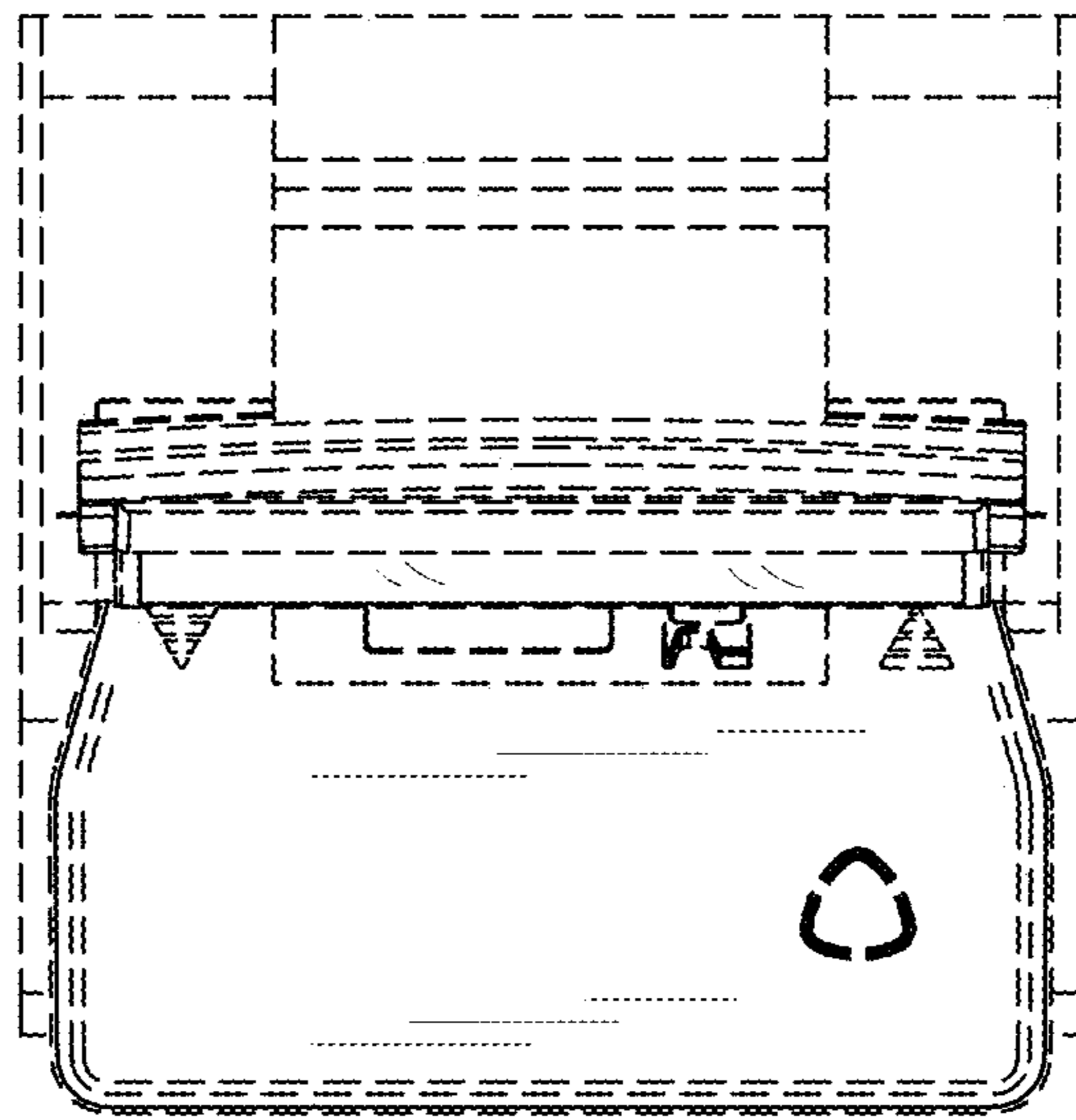


FIG. 6

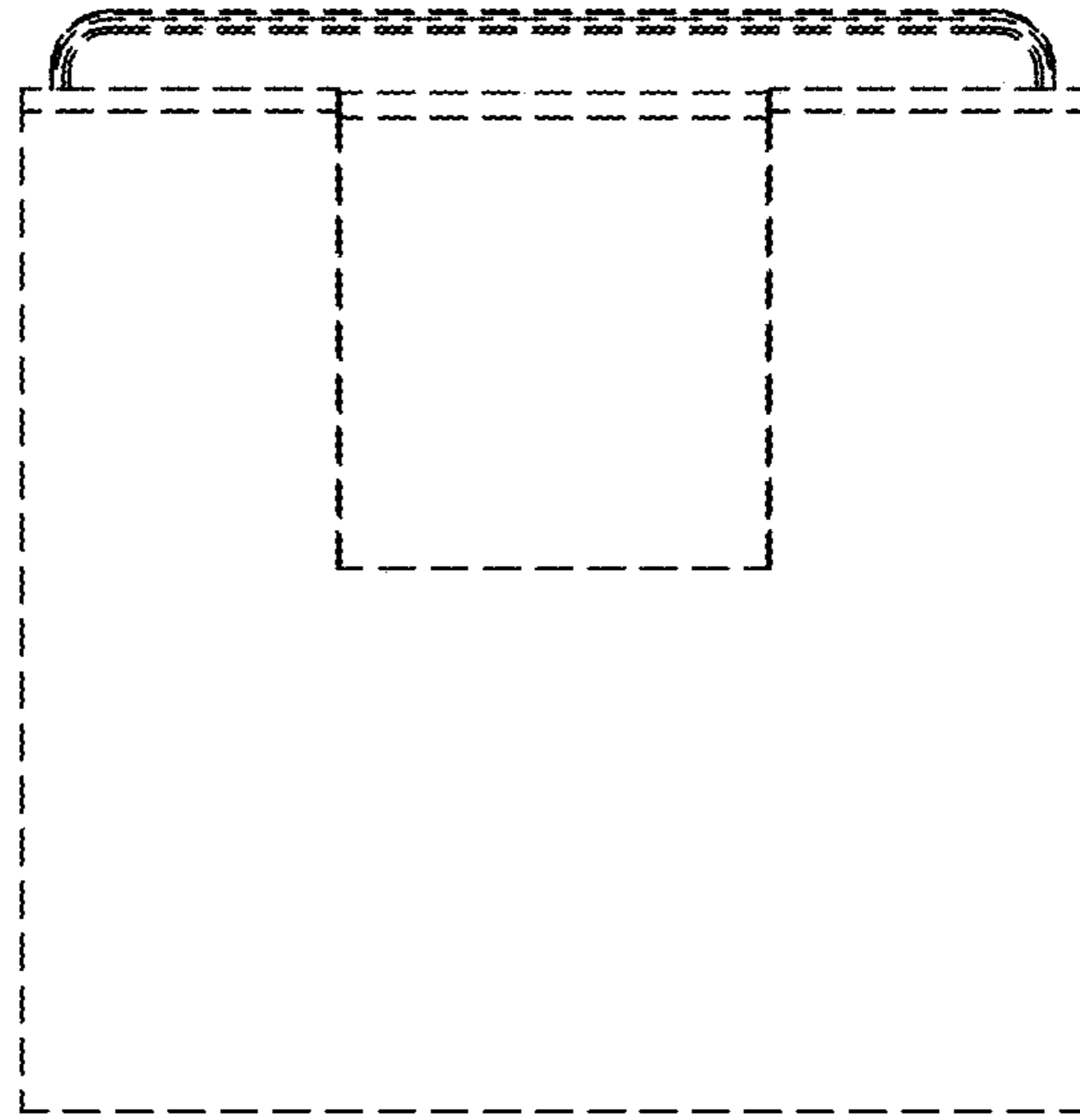


FIG. 7

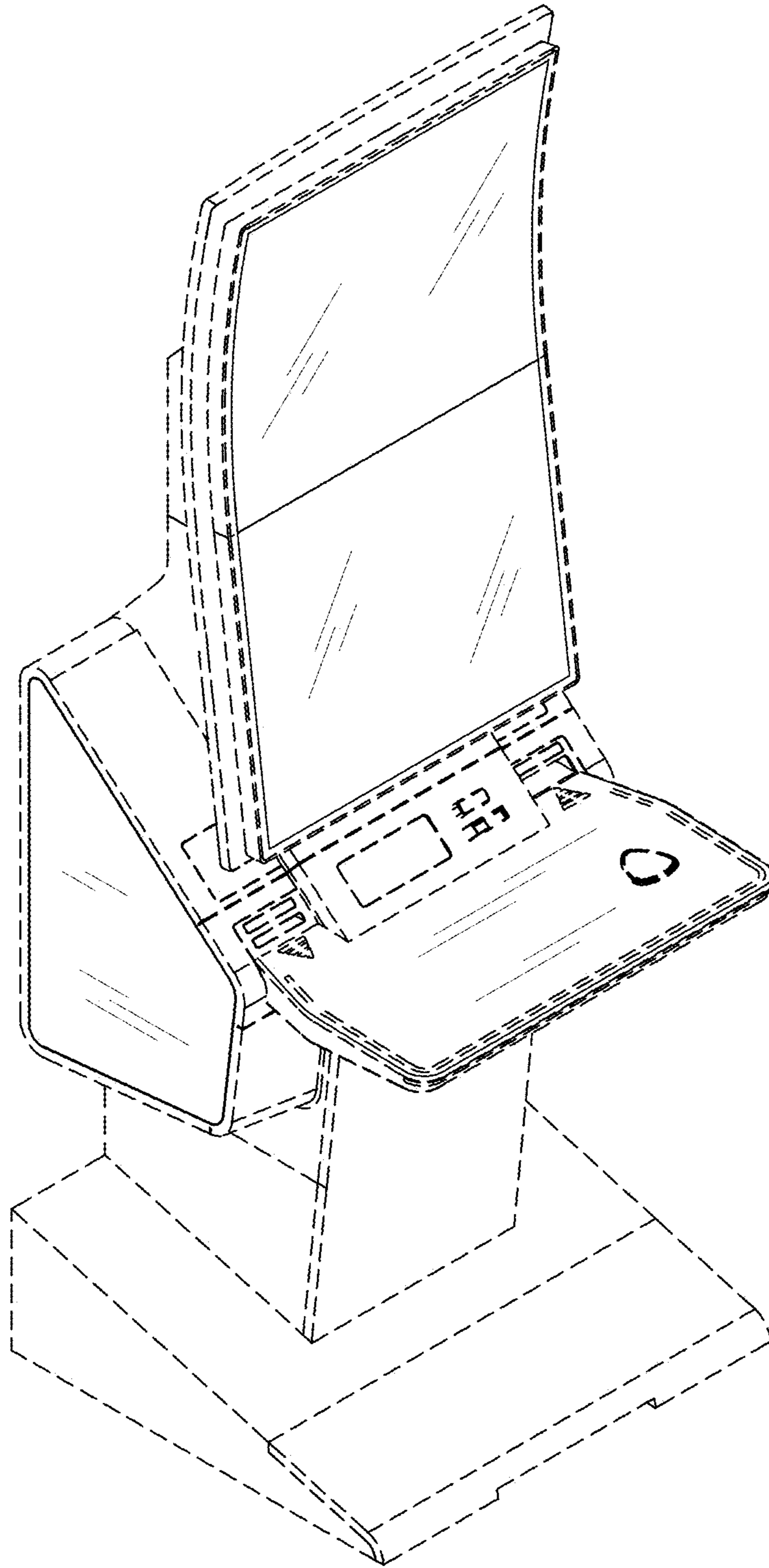


FIG. 8

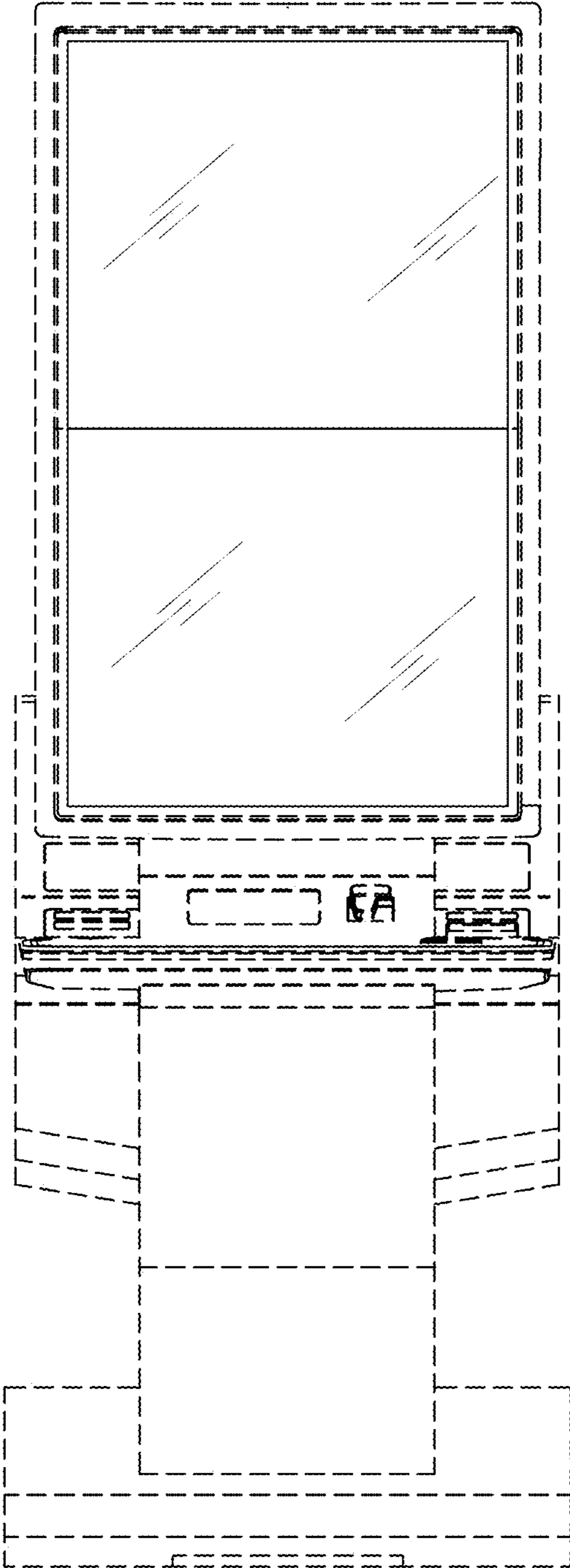


FIG. 9