



US00D910759S

(12) **United States Design Patent** (10) **Patent No.:** **US D910,759 S**
Cai (45) **Date of Patent:** **** Feb. 16, 2021**

(54) **BOARD GAME**

(71) Applicant: **Jinhao Chen**, Shantou (CN)

(72) Inventor: **Zeja Cai**, Shantou (CN)

(**) Term: **15 Years**

(21) Appl. No.: **29/747,862**

(22) Filed: **Aug. 26, 2020**

(30) **Foreign Application Priority Data**

Jun. 15, 2020 (CN) 202030304558.5

(51) **LOC (13) Cl.** **21-01**

(52) **U.S. Cl.**
USPC **D21/338**

(58) **Field of Classification Search**

USPC D21/334, 336-342, 355-359, 365, 318, D21/397, 312, 314, 320, 362, 366, 367, D21/385, 455, 456, 460, 461, 484, D21/491-501, 561, 564; 273/242, 273/244-247, 259, 277, 287, 317.3, 273/108.1, 108.5, 118 D, 236-240, 283, 273/309, 441, 461, 108.2, 108.3, 113, 273/115, 116, 241, 280, 282.1, 282.2, 273/282.3, 289, 148 R, 440, 444, 450, 273/453, 459, 109, 110, 108, 456, 443; D6/406.1, 406.3, 406.4, 406.6; D19/86, D19/92, 95, 87, 113, 75, 77, 78, 80; 108/14, 62, 43, 67; 434/416, 247, 248, 434/251, 408, 413, 145, 430; 446/82, 446/168, 236, 256, 257, 259, 262, 263, 446/491, 233; D7/538-550.1, 552.2, D7/553.1-553.8, 554.1-554.4, 558, D7/584-588, 601, 602, 359, 354, 356; D9/737, 756, 758-761, 414, 424-433, D9/456, 499; D30/121, 129-133; D11/143, 144, 152, 153, 155, 156, 164; 47/65, 65.5, 65.6, 66.7, 71, 73-75, 39; 473/569, 570; 463/69

CPC A63F 3/00; A63F 3/00003; A63F 3/00028; A63F 3/00041; A63F 3/00044; A63F 3/00047; A63F 3/00173; A63F 3/00176; A63F 3/00214; A63F 3/00261; A63F 3/00643; A63F 3/00646-00659; A63F 3/04; A63F 2003/00182; A63F 2003/00223; A63F 2003/00457; A63F 2003/0046; A63F

(Continued)

(56) **References Cited**

U.S. PATENT DOCUMENTS

1,094,236 A * 4/1914 Minshall A63B 57/40 473/180
1,136,153 A * 4/1915 Martineau A63F 7/0005 273/123 R

(Continued)

Primary Examiner — Susan Moon Lee
(74) *Attorney, Agent, or Firm* — Zanip

(57) **CLAIM**

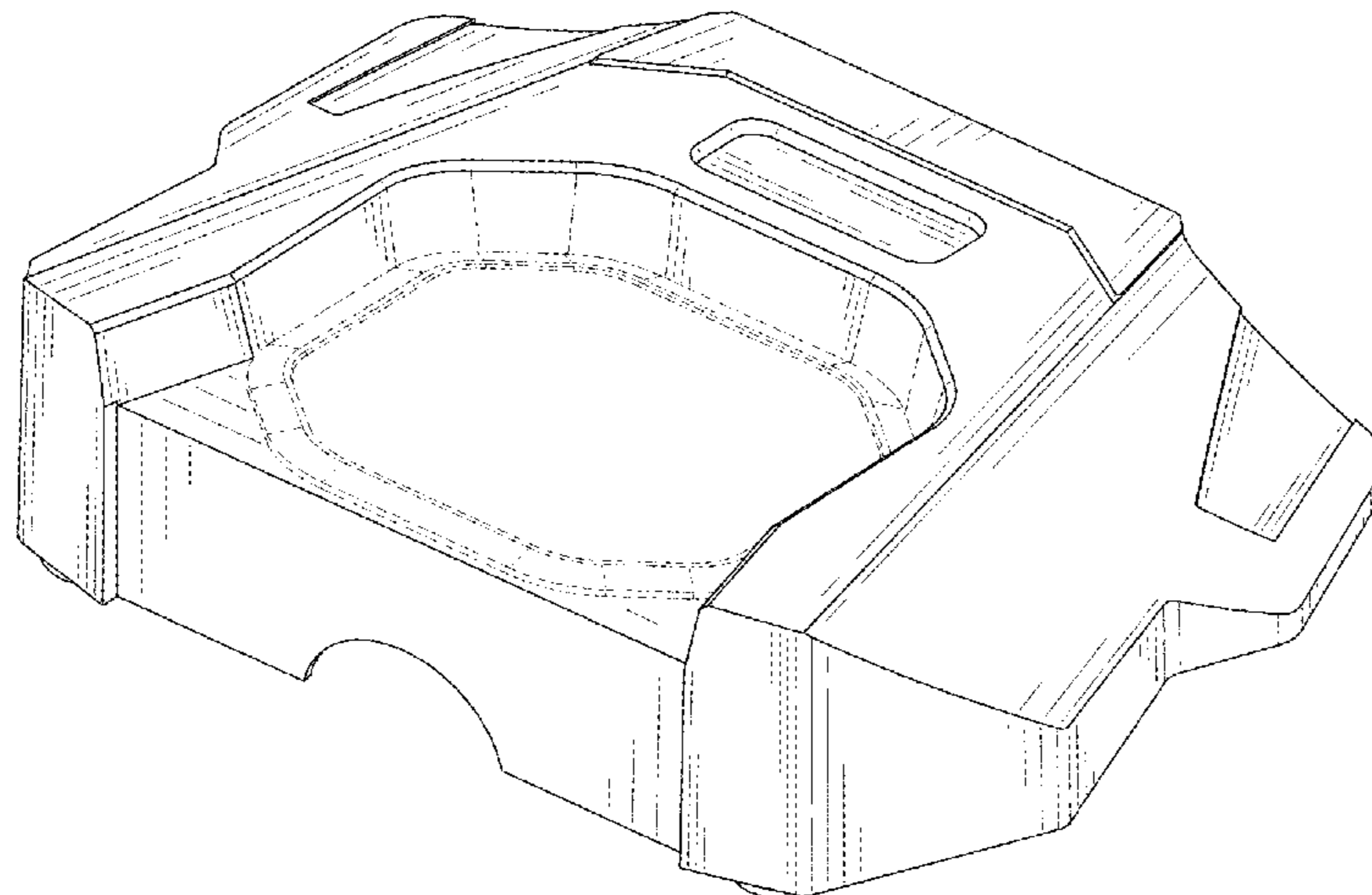
The ornamental design for a board game, as shown and described.

DESCRIPTION

FIG. 1 is a front and top perspective view of a board game, showing my new design;
FIG. 2 is a rear and bottom perspective view thereof;
FIG. 3 is a front elevational view thereof;
FIG. 4 is a rear elevational view thereof;
FIG. 5 is a left side elevational view thereof;
FIG. 6 is a right side elevational view thereof;
FIG. 7 is a top plan view thereof;
FIG. 8 is a bottom plan view thereof; and,
FIG. 9 is a perspective view thereof, showing a pad put on the board game.

The broken lines in the figures illustrate portions of the article that form no part of the claimed design. The broken

(Continued)



lines showing of the pad in FIG. 9 depict environmental structure that form, no part of the claimed design.

1 Claim, 9 Drawing Sheets

(58) Field of Classification Search

CPC 2003/00463; A63F 2003/00466; A63F 2003/0047; A63F 2003/00485; A63F 2003/00492; A63F 2003/00507; A63F 2003/00514; A63F 2003/00533; A63F 2003/00552; A63F 2003/00558; A63F 2003/00943; A63F 2003/00946; A63F 2003/00952-00962; A63F 2003/00974; A63F 7/00; A63F 7/06; A63F 7/0612; A63F 7/0604; A63F 7/0616-0636; A63F 7/30; A63F 7/36; A63F 7/0005; A63F 7/0017; A63F 7/0023; A63F 2007/0035; A63F 2007/367; A63F 2007/3674; A63F 9/00; A63F 9/16; A63F 9/02; A63F 2009/165; A63H 1/00; A63H 1/02; A63H 1/04; A63H 1/10

See application file for complete search history.

(56) References Cited

U.S. PATENT DOCUMENTS

1,722,028 A * 7/1929 Baack A63B 63/08
473/184
D141,390 S * 5/1945 Welsh D21/790
D161,248 S * 12/1950 Darr D21/312
D164,166 S * 8/1951 Griswold D21/790
D183,841 S * 11/1958 Keats D21/303
2,917,312 A * 12/1959 Brown A63B 57/405
473/182
3,030,113 A * 4/1962 Brandell A63B 63/00
473/183
D196,657 S * 10/1963 Cohen D21/790
3,134,597 A * 5/1964 Brandell A63B 63/00
473/183
3,204,966 A * 9/1965 Saytar A63B 63/08
473/478
D204,891 S * 5/1966 Lasting D21/319
3,275,325 A * 9/1966 MacKenzie A63B 57/405
473/184
D211,651 S * 7/1968 Cohen D21/790
3,561,765 A * 2/1971 Dixon A63B 57/405
473/184
3,761,090 A * 9/1973 Nelson A63F 7/305
273/127 B
3,810,632 A * 5/1974 Brandell A63B 57/405
473/183
3,892,407 A * 7/1975 Higgins A63F 9/0208
273/336
D245,798 S * 9/1977 Norden D21/303
4,055,349 A * 10/1977 Hunt A63B 57/405
473/183
4,078,806 A * 3/1978 Brandell A63B 57/405
473/183
4,148,487 A * 4/1979 Bouve A63F 7/305
273/123 R
D254,017 S * 1/1980 Norden D21/303
4,573,686 A * 3/1986 Nakamats A63B 63/00
473/184
D310,246 S * 8/1990 Maloney, II D21/790
4,968,041 A * 11/1990 Calvo A63B 67/06
273/401
D316,120 S * 4/1991 Morris D21/790
5,056,797 A * 10/1991 Hockert A63B 67/06
273/402

5,082,280 A * 1/1992 Wang A63B 67/02
428/100
5,139,262 A * 8/1992 Lai A63B 57/357
473/181
D353,433 S * 12/1994 Erdoes D21/792
D357,963 S * 5/1995 Amburgey D21/342
D369,188 S * 4/1996 Briggs D21/303
D392,010 S * 3/1998 Ridge D21/790
D400,631 S * 11/1998 Moore D21/791
5,857,919 A * 1/1999 Hoyt A63B 57/357
473/184
D407,764 S * 4/1999 Ashton D21/303
D409,704 S * 5/1999 Nunes D21/791
6,213,887 B1 * 4/2001 Carney A63B 69/3614
473/183
6,283,873 B1 * 9/2001 Nunes G09F 1/12
473/180
D483,414 S * 12/2003 Wilson, Sr. D21/318
6,805,638 B2 * 10/2004 Chang A63B 67/02
473/160
6,849,000 B2 * 2/2005 Chen A63B 67/02
473/153
7,229,072 B2 * 6/2007 DiFrancesco, Jr. .. A63B 63/007
273/118 R
7,255,648 B1 * 8/2007 Romeo A63B 57/357
473/180
D563,671 S * 3/2008 Cornwell D3/294
D606,125 S * 12/2009 Ujita D21/397
D606,126 S * 12/2009 Ujita D21/397
D621,881 S * 8/2010 Youngberg D21/303
7,914,387 B1 * 3/2011 Gugliotti A63B 57/40
473/174
D673,635 S * 1/2013 Cameron D21/791
8,864,596 B1 * 10/2014 Maranian, Jr. A63B 69/3661
473/162
D741,409 S * 10/2015 Moulton D21/303
D795,695 S * 8/2017 Snedden D9/456
D806,171 S * 12/2017 Nally D21/303
D850,095 S * 6/2019 Kaplan D3/11
D850,096 S * 6/2019 Kaplan D3/11
D856,430 S * 8/2019 Cangi D21/303
D860,324 S 9/2019 Kennedy
D884,078 S * 5/2020 Hama D21/338
D884,797 S * 5/2020 Schultheis D21/338
2003/0109318 A1 * 6/2003 Oyauchi A63B 69/3661
473/192
2010/0159798 A1 * 6/2010 Bertrand A63H 1/02
446/259
2010/0181726 A1 * 7/2010 Bos A63B 67/06
273/336
2010/0320682 A1 * 12/2010 Derrah A63F 9/14
273/108.1
2011/0171876 A1 * 7/2011 Ujita A63H 1/00
446/264
2011/0189921 A1 * 8/2011 Andersen A63H 33/22
446/242
2011/0256794 A1 * 10/2011 Horikoshi A63H 1/04
446/259
2014/0364244 A1 * 12/2014 Ross A63B 57/20
473/173
2015/0108719 A1 * 4/2015 Devine A63B 63/08
273/402
2015/0231467 A1 * 8/2015 Sciandra A63B 67/06
273/402
2016/0045799 A1 * 2/2016 Gallagher A63F 9/34
273/334
2016/0166068 A1 * 6/2016 Holzhauzer A63B 67/06
297/16.1
2016/0375354 A1 * 12/2016 Francis A63F 9/16
463/16
2017/0239558 A1 * 8/2017 Shindo A63F 9/16
2017/0333783 A1 * 11/2017 Shindo A63H 1/00

* cited by examiner

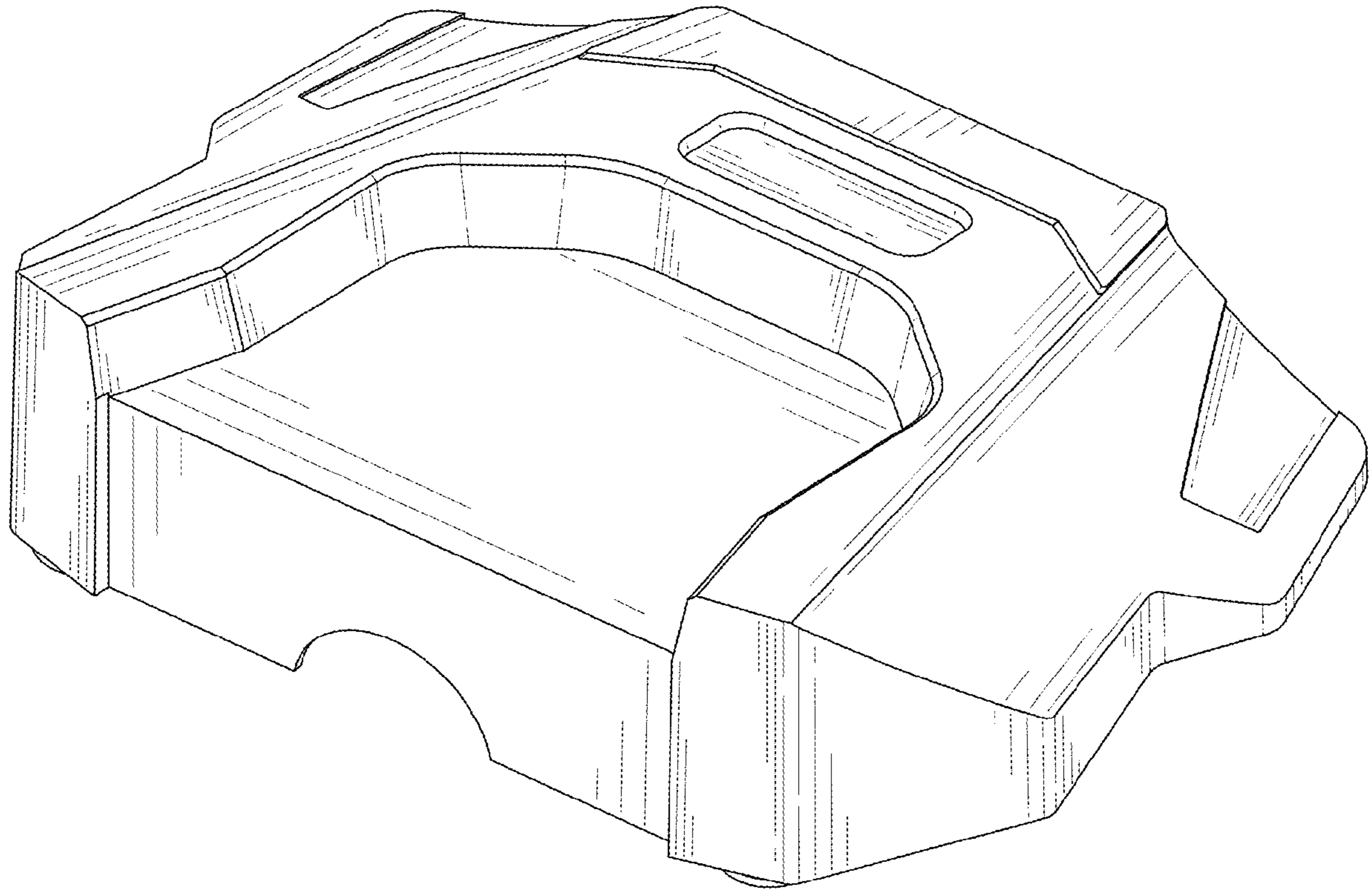


FIG. 1

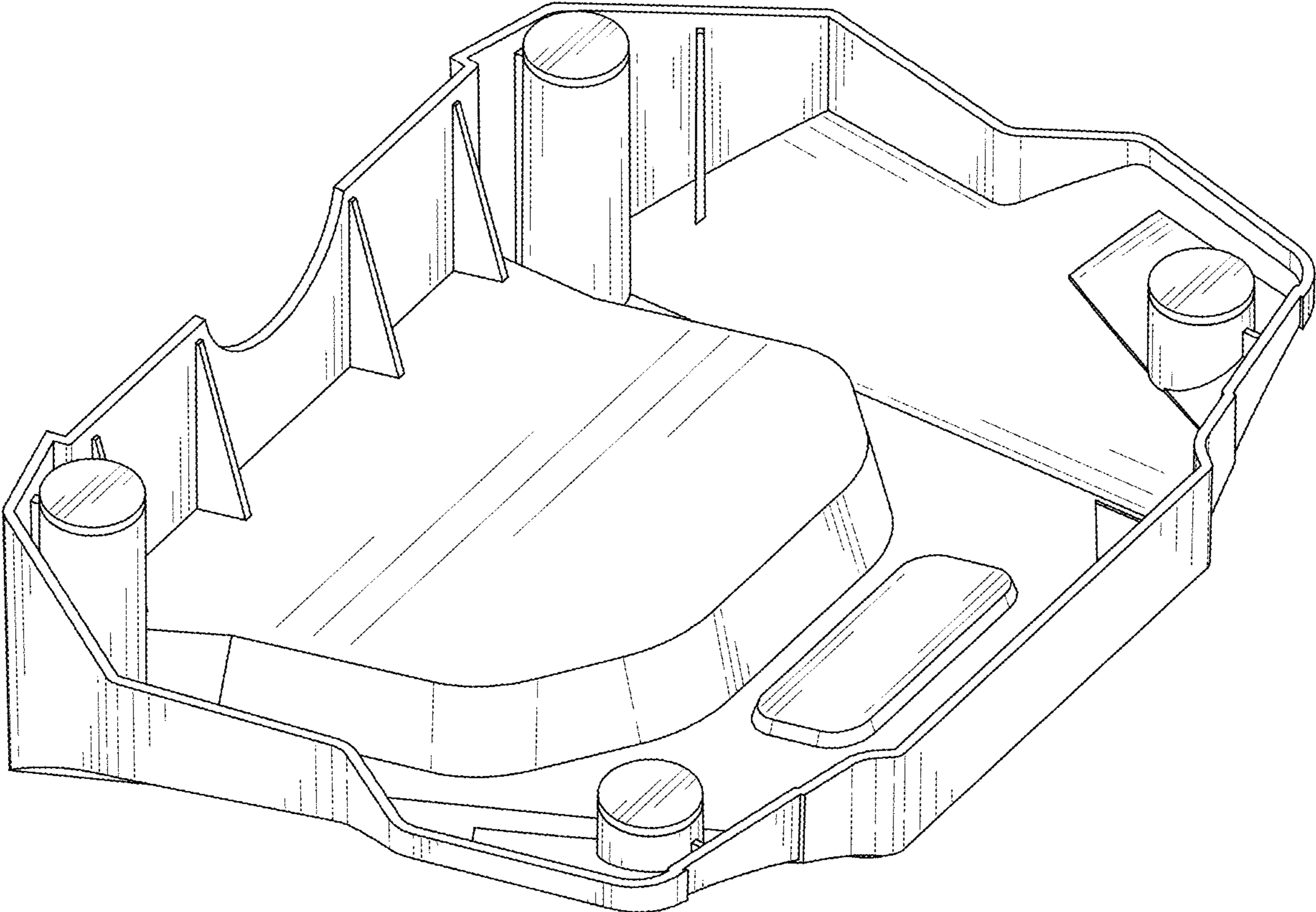


FIG. 2

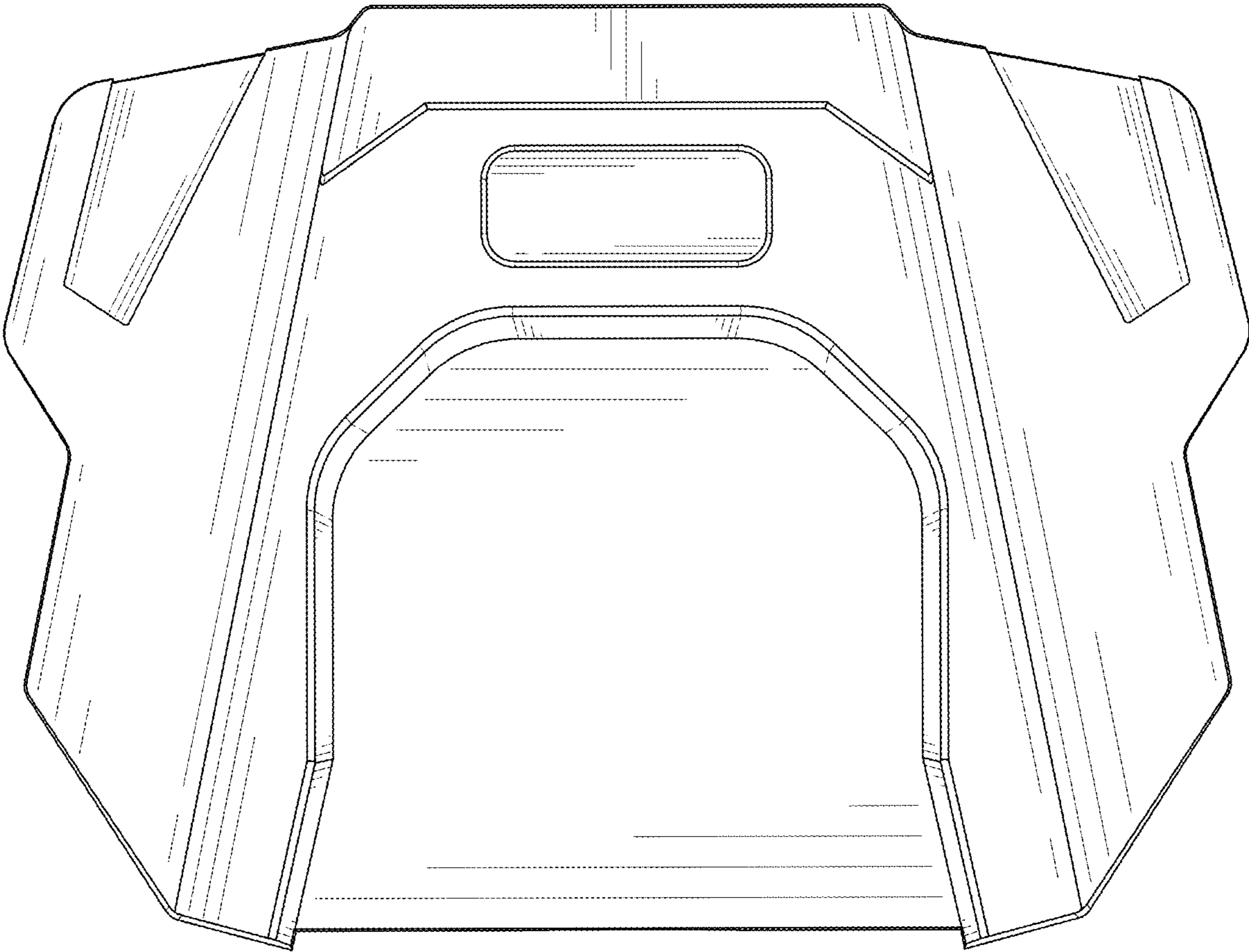


FIG. 3

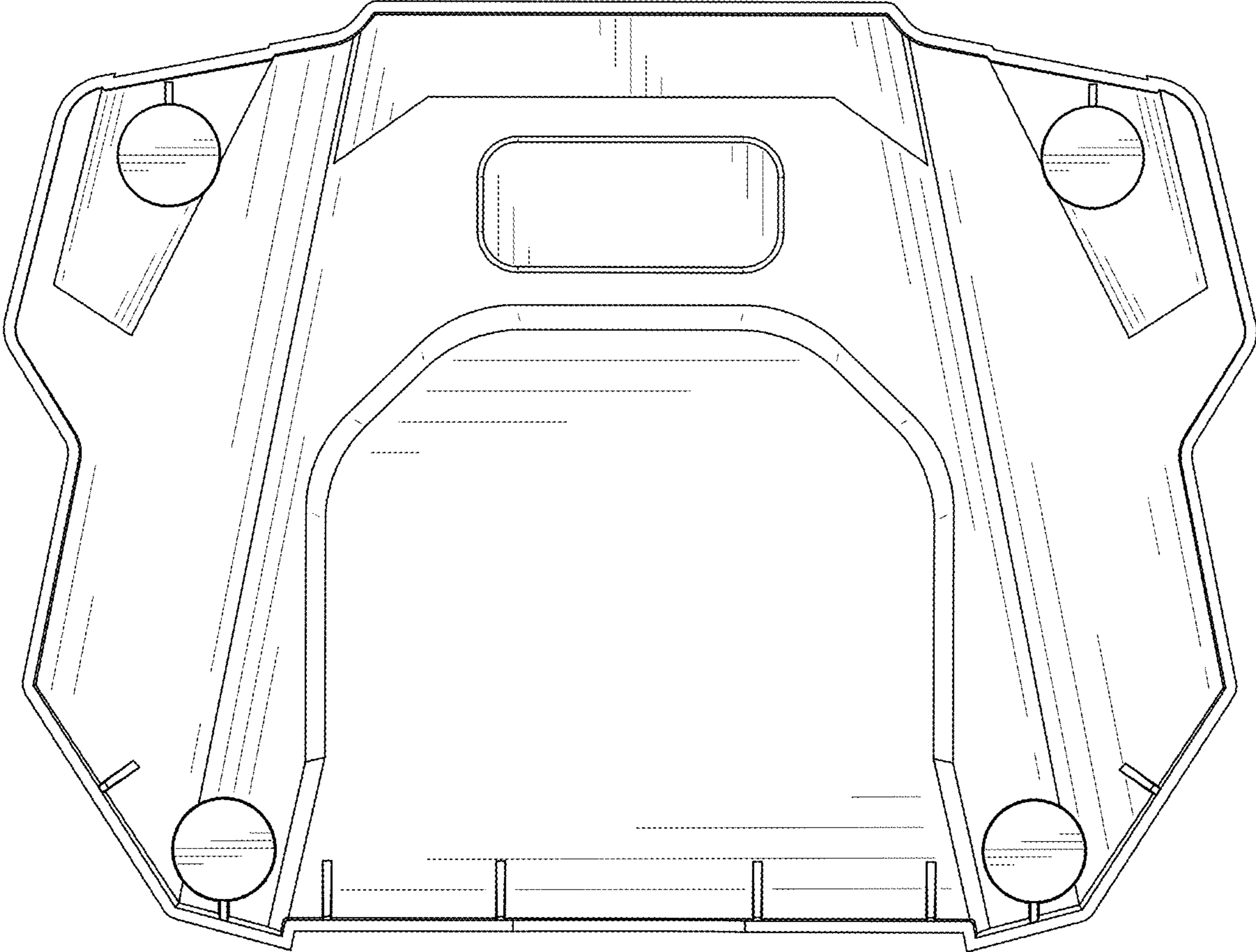


FIG. 4

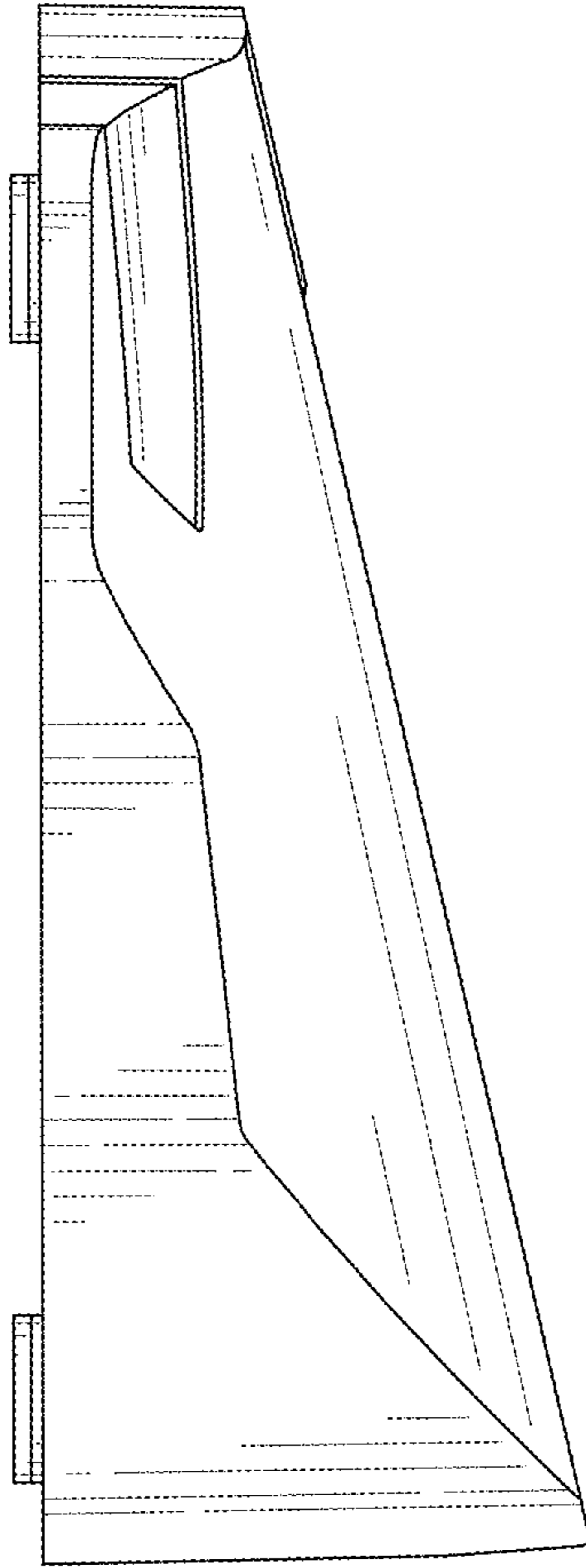


FIG. 5

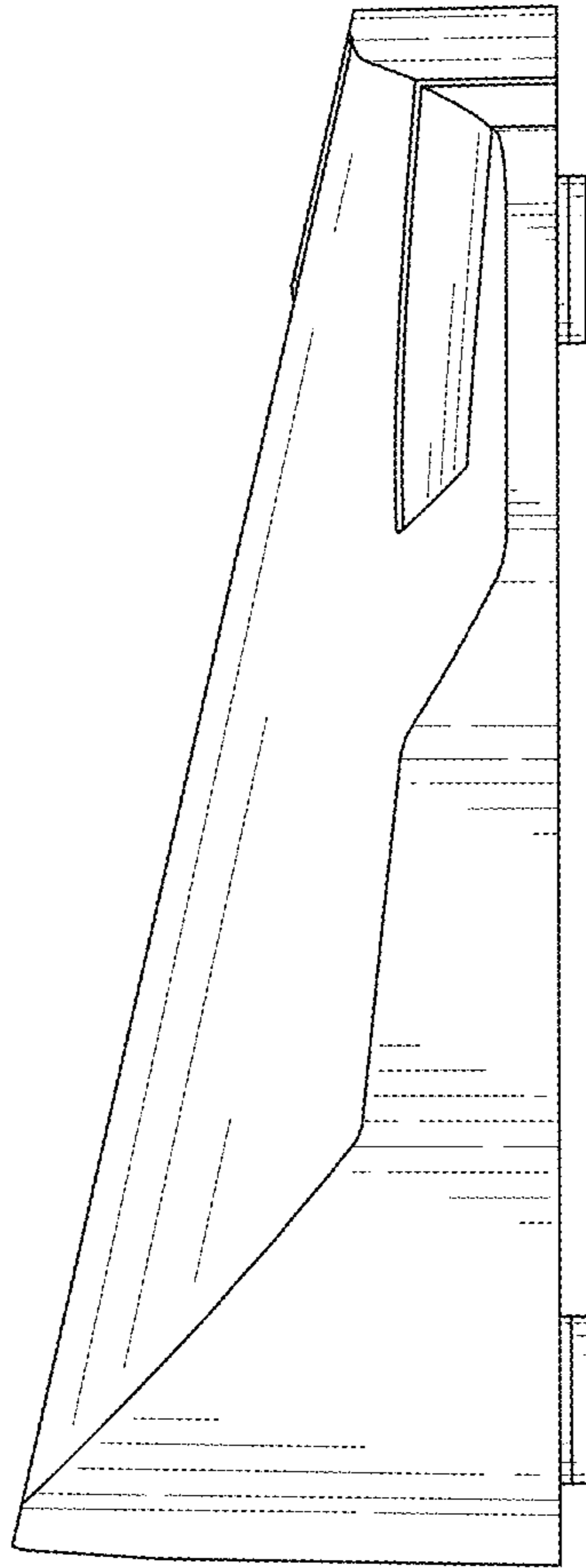


FIG. 6

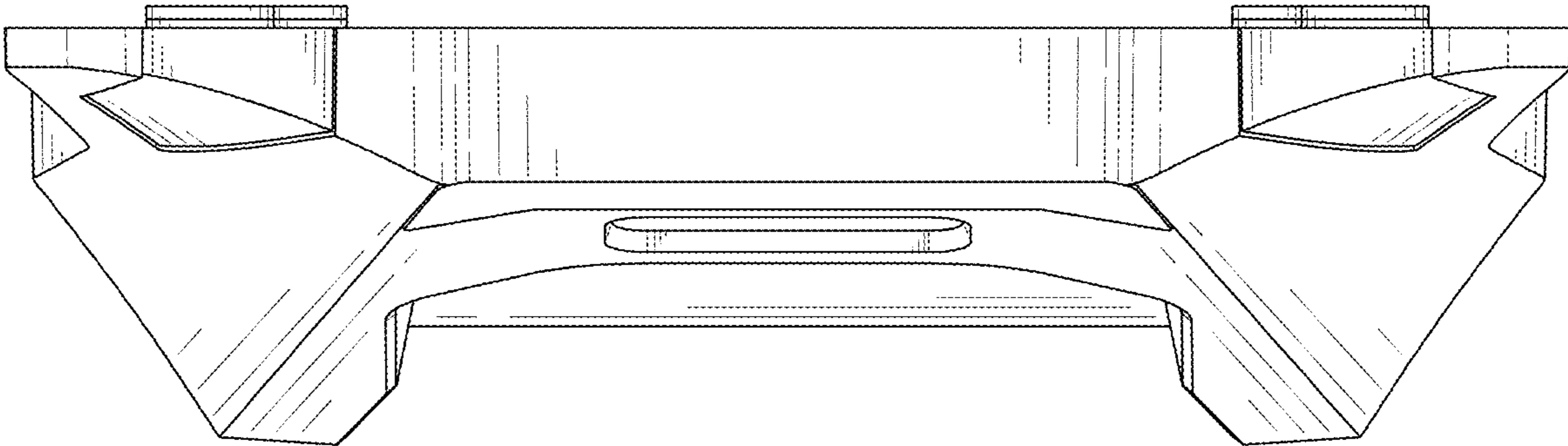


FIG. 7

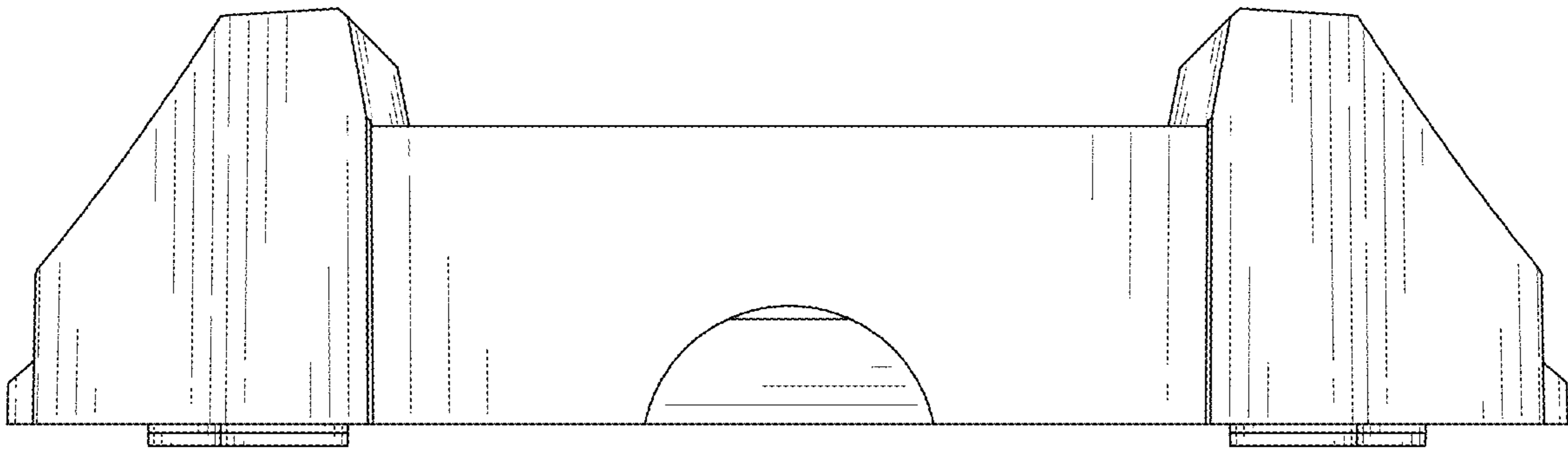


FIG. 8

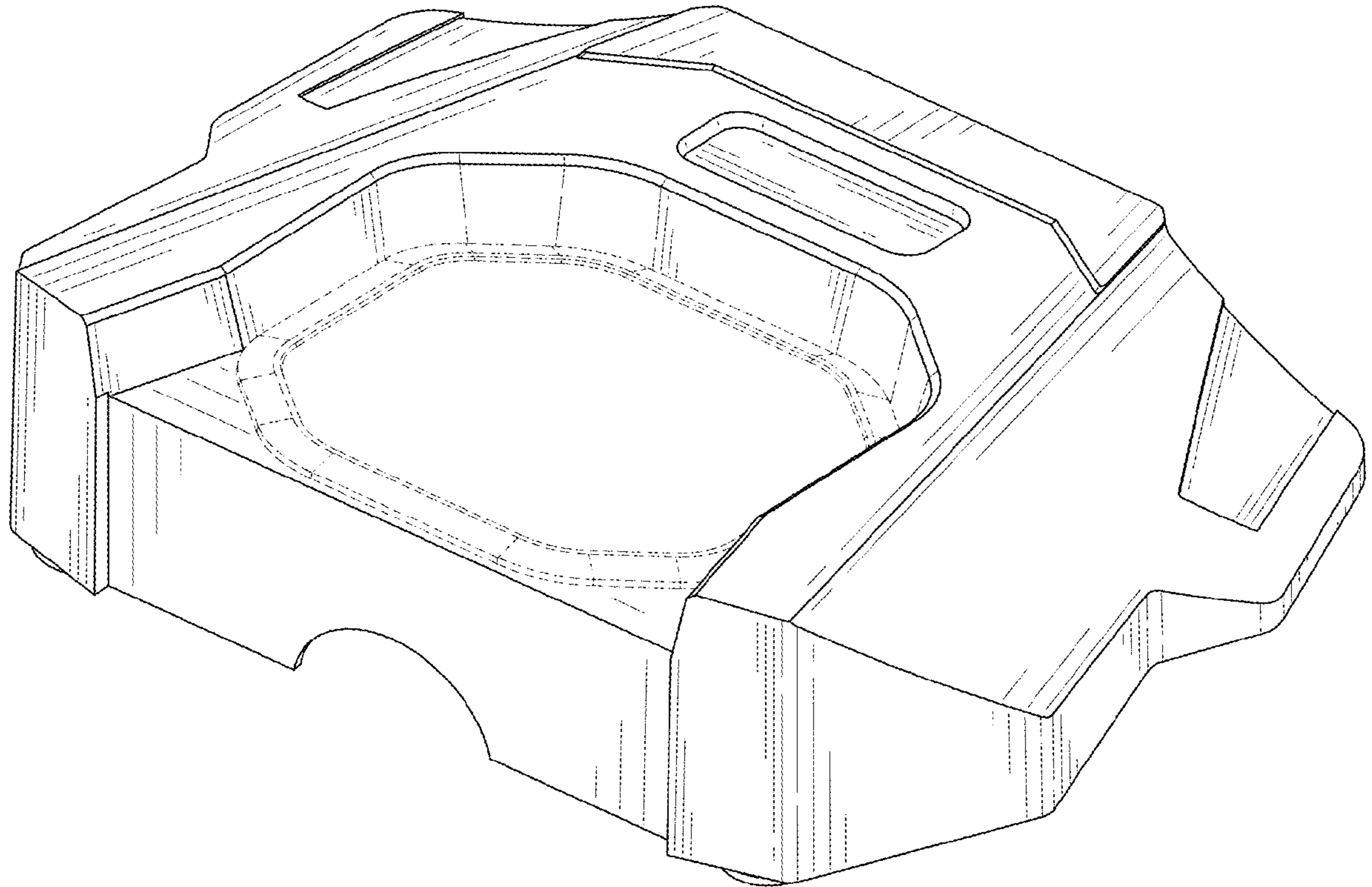


FIG. 9