



US00D910758S

(12) **United States Design Patent**  
**Leong**

(10) **Patent No.:** **US D910,758 S**

(45) **Date of Patent:** **\*\* Feb. 16, 2021**

(54) **SIMULATION RACING GAMING COCKPIT**

(71) Applicant: **Wong Wai Leong**, Glasgow (GB)

(72) Inventor: **Wong Wai Leong**, Glasgow (GB)

(\*\*) Term: **15 Years**

(21) Appl. No.: **29/671,212**

(22) Filed: **Nov. 26, 2018**

(30) **Foreign Application Priority Data**

Jun. 22, 2018 (CN) ..... 2018 3 0324186

(51) **LOC (13) Cl.** ..... **21-01**

(52) **U.S. Cl.**  
USPC ..... **D21/326; D6/336**

(58) **Field of Classification Search**  
USPC ..... D21/325, 326, 327, 329, 333, 349-355,  
D21/366, 369, 370, 371, 385, 471, 695,  
D21/696; 472/59; 434/55  
CPC ..... A63F 13/08; A63F 13/803; A63F 13/28;  
G09B 9/12; A47C 1/026; A47C 1/143;  
A47C 7/72

See application file for complete search history.

(56) **References Cited**

**U.S. PATENT DOCUMENTS**

- D283,469 S \* 4/1986 Zimmerman ..... D6/356
- D396,898 S \* 8/1998 Tsuda ..... D21/326
- D407,759 S \* 4/1999 Isetani ..... D21/326
- D411,690 S \* 6/1999 Kneip ..... D6/356
- 5,911,634 A \* 6/1999 Nidata ..... A63F 13/08  
472/59
- 6,283,546 B1 \* 9/2001 Hill ..... A47C 1/026  
297/130
- D500,098 S \* 12/2004 Doi ..... D21/326
- D509,077 S \* 9/2005 Beermann ..... D6/356
- D513,894 S \* 1/2006 Juraschek ..... D6/356
- D527,054 S \* 8/2006 Brase ..... D21/326
- D532,211 S \* 11/2006 Su ..... D6/366
- D533,608 S \* 12/2006 Bingham, Jr. .... D21/695

- D542,547 S \* 5/2007 Su ..... D6/366
- D545,383 S \* 6/2007 Bingham, Jr. .... D21/695
- D549,475 S \* 8/2007 Su ..... D6/356
- D561,840 S \* 2/2008 Osuka ..... D21/325
- D587,476 S \* 3/2009 Lenterman ..... D6/366
- D598,207 S \* 8/2009 Smit ..... D6/335
- D612,623 S \* 3/2010 Smit ..... D6/366
- D612,641 S \* 3/2010 Smit ..... D6/366
- D651,815 S \* 1/2012 Smit ..... D6/336
- D656,553 S \* 3/2012 Blaskov ..... D21/326
- D691,822 S \* 10/2013 Smit ..... D6/368

(Continued)

**OTHER PUBLICATIONS**

“Mophorn”, posted Feb. 8, 2018 [online], [retrieved May 11, 2020]. Retrieved from internet, [https://www.amazon.com/Mophorn-Simulator-Logitech-Foldable-Adjustable02/product-reviews/B07GDL182M/ref=m\\_cr\\_arp\\_d\\_viewopt\\_srt?ie=UTF8&reviewerType=all\\_reviews&sortBy=recent&pageNumber=1](https://www.amazon.com/Mophorn-Simulator-Logitech-Foldable-Adjustable02/product-reviews/B07GDL182M/ref=m_cr_arp_d_viewopt_srt?ie=UTF8&reviewerType=all_reviews&sortBy=recent&pageNumber=1).\*

(Continued)

*Primary Examiner* — Sandra Snapp  
*Assistant Examiner* — Mehri Bajoul  
(74) *Attorney, Agent, or Firm* — Bay State IP, LLC

(57) **CLAIM**

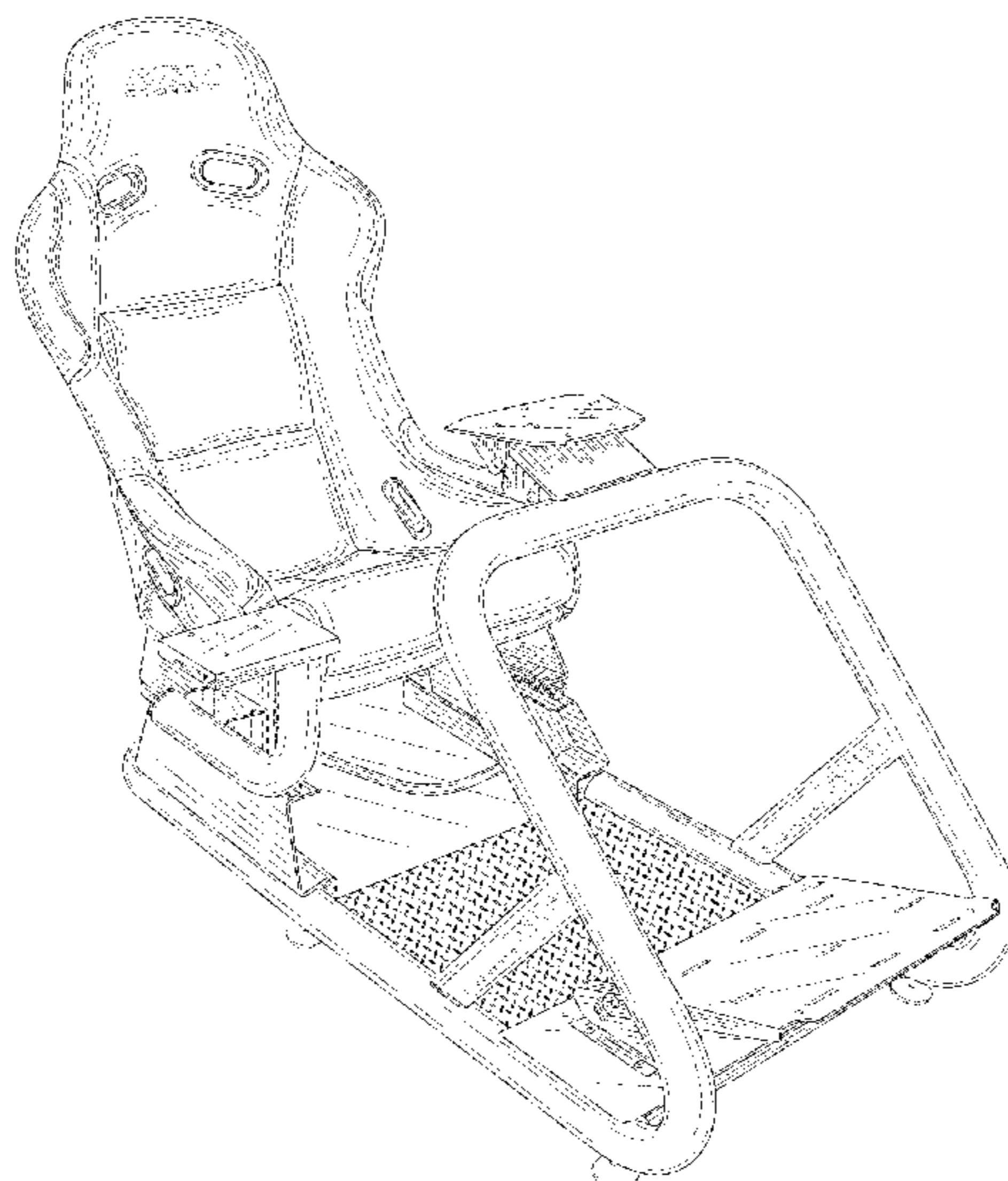
The ornamental design for a simulation racing gaming cockpit, as shown and described.

**DESCRIPTION**

FIG. 1 is a front perspective view of the simulation racing gaming cockpit showing my new design; FIG. 2 is a right side perspective view thereof; FIG. 3 is a left side perspective view thereof; FIG. 4 is a rear perspective view thereof; FIG. 5 is a front perspective view thereof; and, FIG. 6 is a top plan view thereof.

The broken lines in the drawings show portions of the simulation racing game cockpit that forms no part of the claimed design.

**1 Claim, 6 Drawing Sheets**



(56)

**References Cited**

U.S. PATENT DOCUMENTS

D693,586 S	*	11/2013	Lenterman .....	D6/366
D701,917 S	*	4/2014	Ghahramanian .....	D21/326
D741,953 S	*	10/2015	Karrman .....	D21/333
D807,072 S	*	1/2018	Mao .....	D6/366
D809,313 S	*	2/2018	Mao .....	D6/366
D811,145 S	*	2/2018	Li .....	D6/716
D856,020 S	*	8/2019	Ghahramanian .....	D6/367
D859,865 S	*	9/2019	Berlinches .....	D6/366
D879,493 S	*	3/2020	Peng .....	D6/366

OTHER PUBLICATIONS

“New RSeat S1 Presentation”, posted May 30, 2018 [online], [retrieved May 11, 2020]. Retrieved from internet, <https://www.rseat-europe.com/new-rseat-s1-presentation>.\*

“Hyperdrive seat”, posted date unavailable[online], [retrieved May 11, 2020]. Retrieved from internet, <https://hyperdrive.com.au/product/racing-simulator-d-rs-0001-s1-copy/>.\*

“Hyperdrive”, posted date unavailable [online], [retrieved May 11, 2020]. Retrieved from internet, <https://hyperdrive.com.au/product/racing-simulator-cockpit-d-rs-000-s1/>.\*

\* cited by examiner

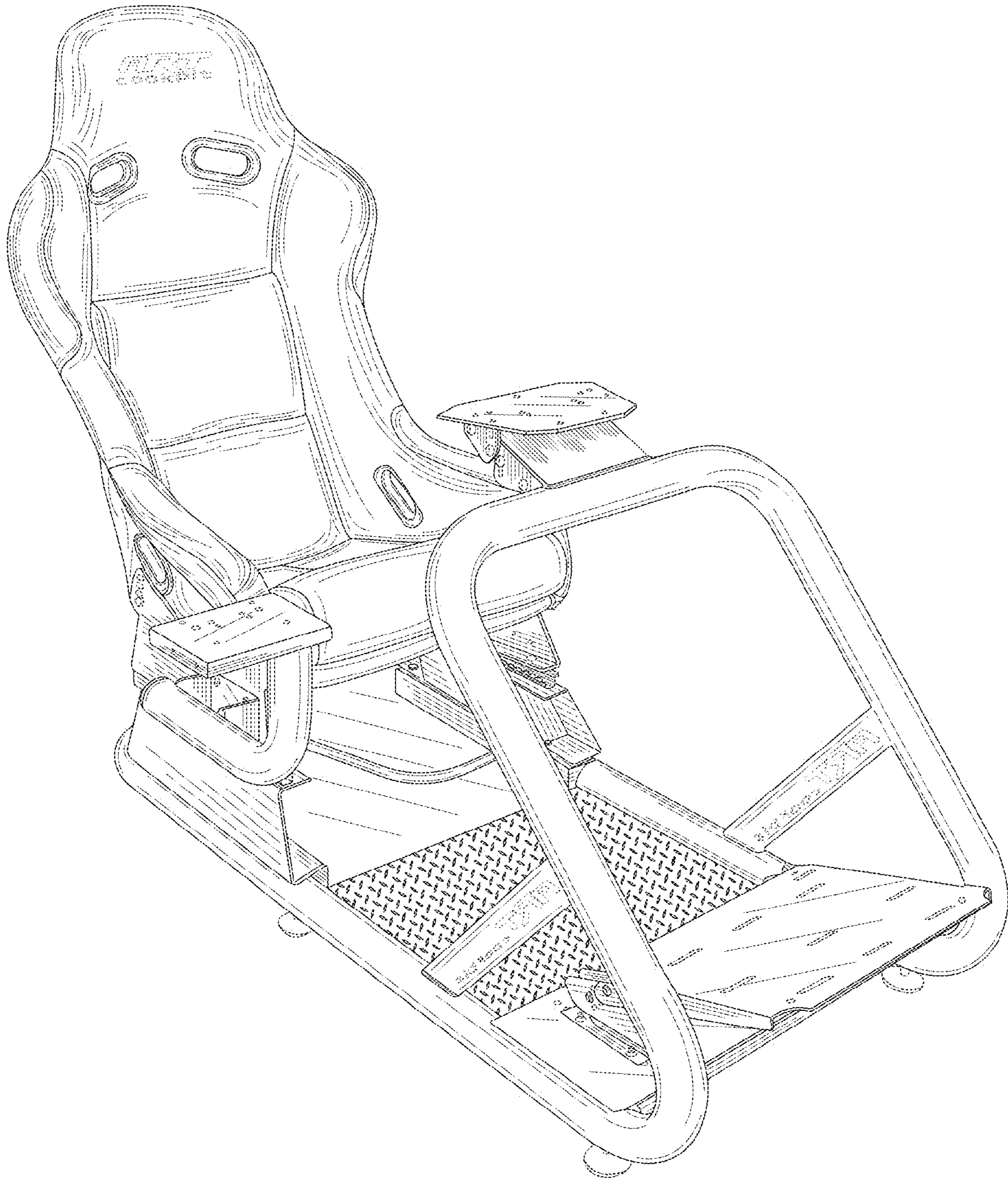


FIG. 1

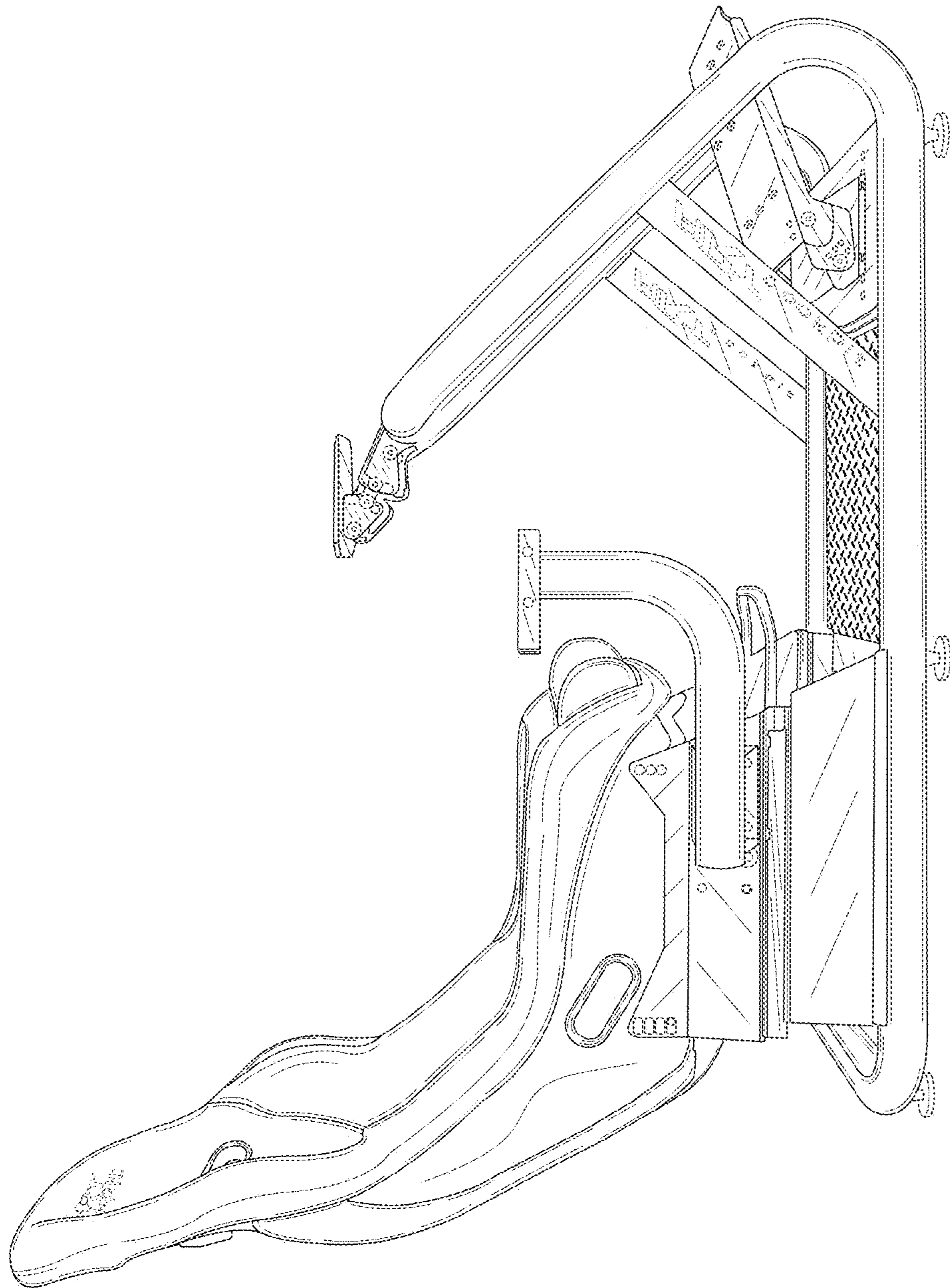


FIG.2

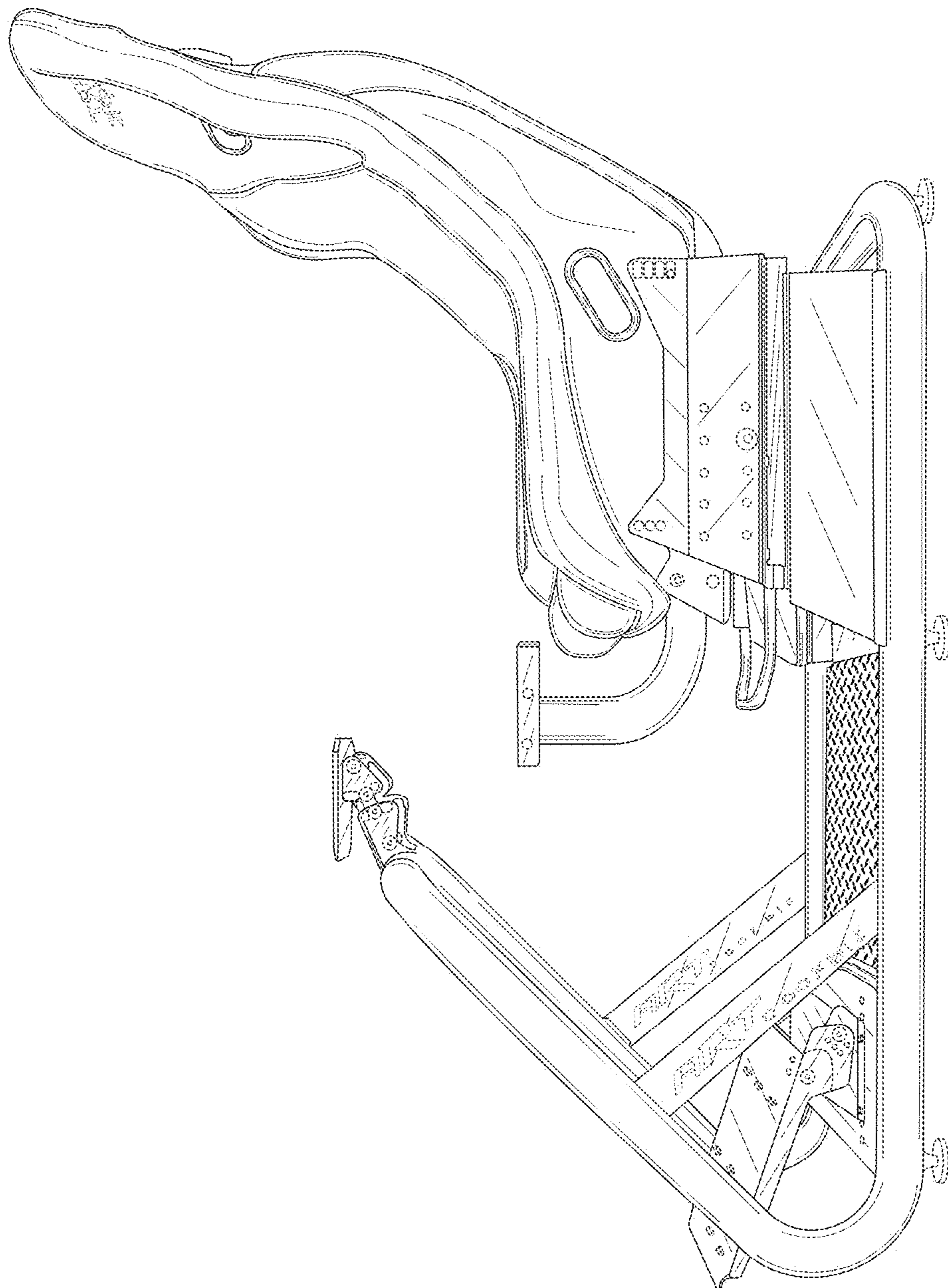


FIG.3

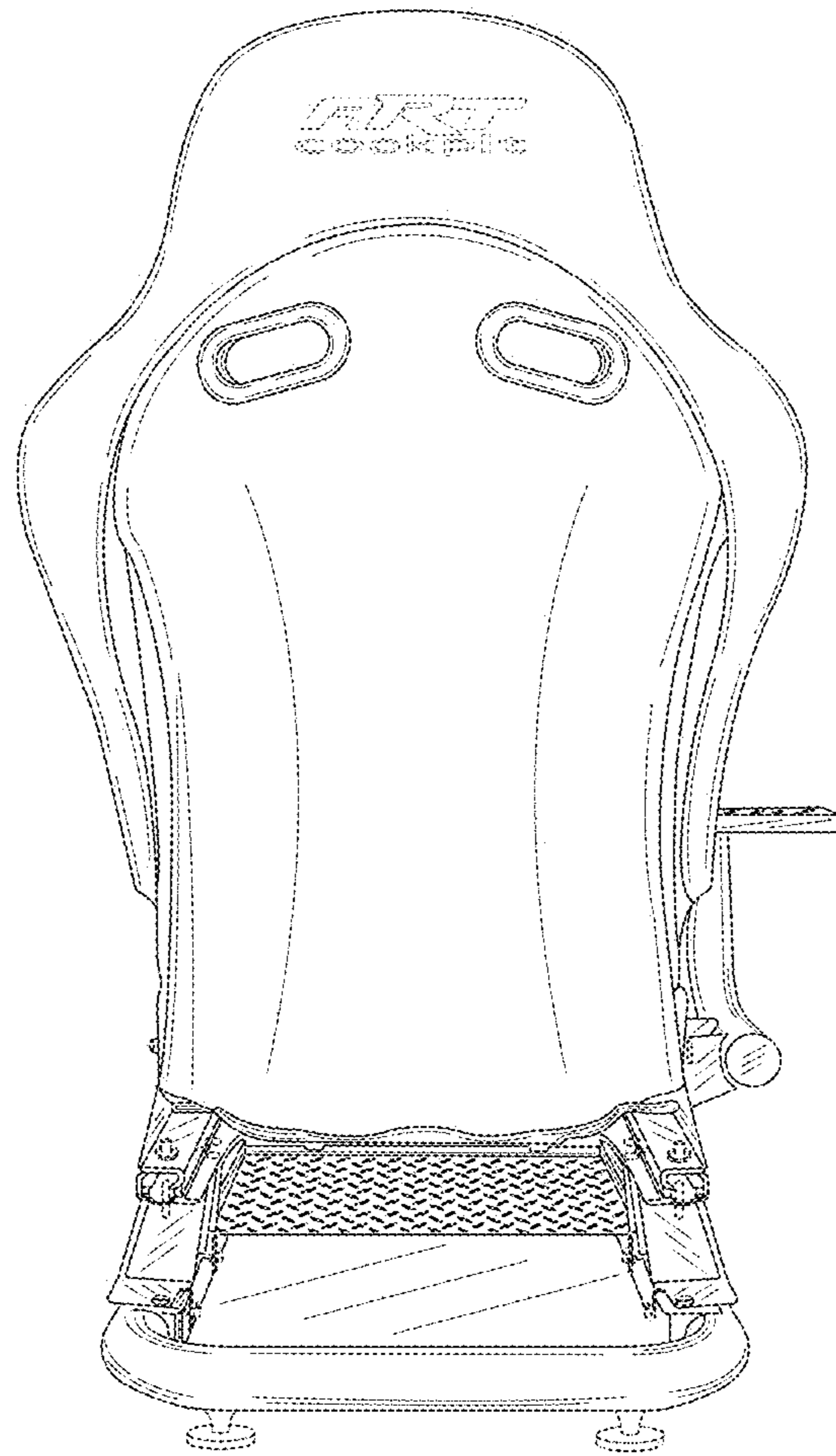


FIG.4

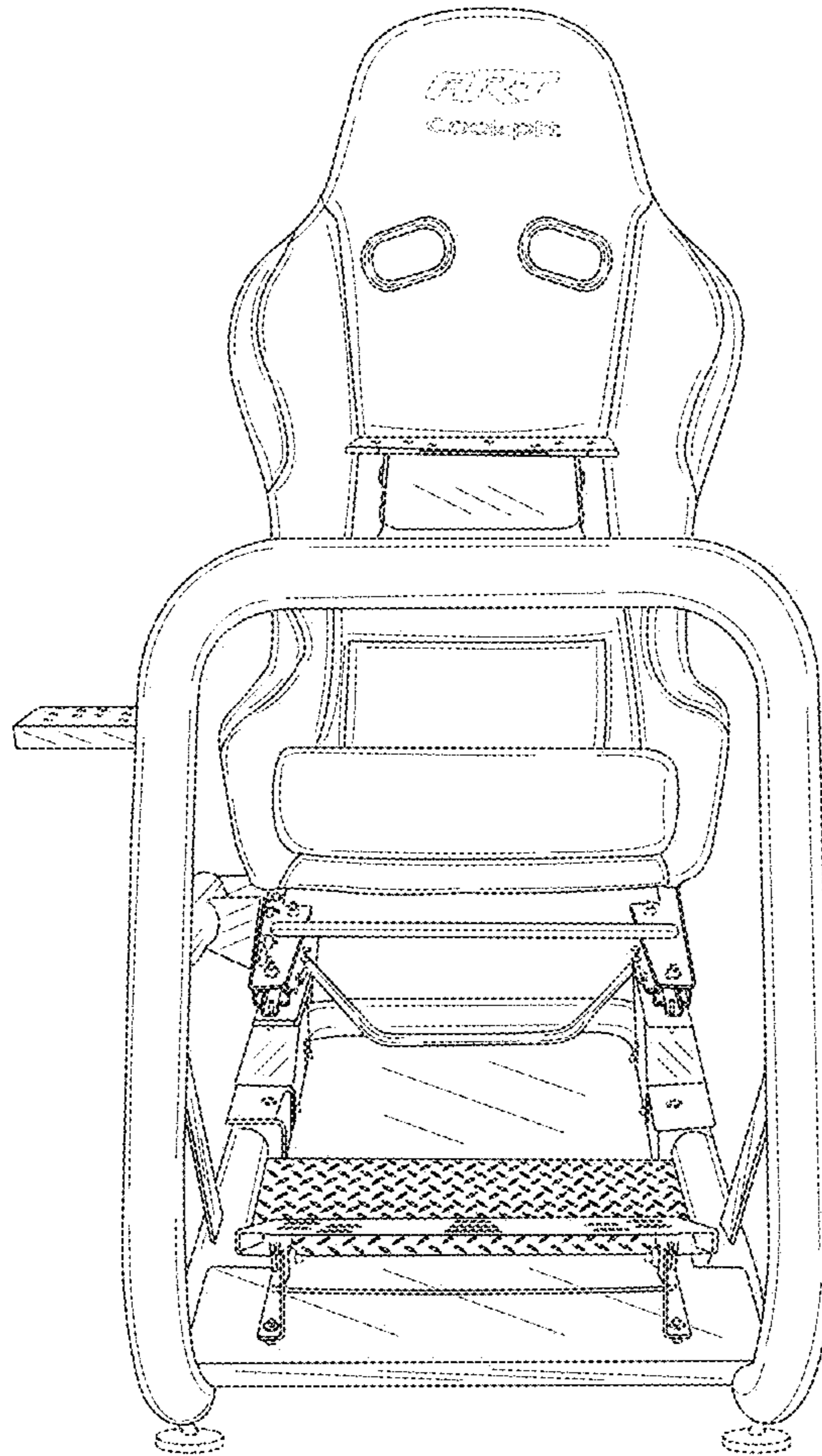


FIG. 5

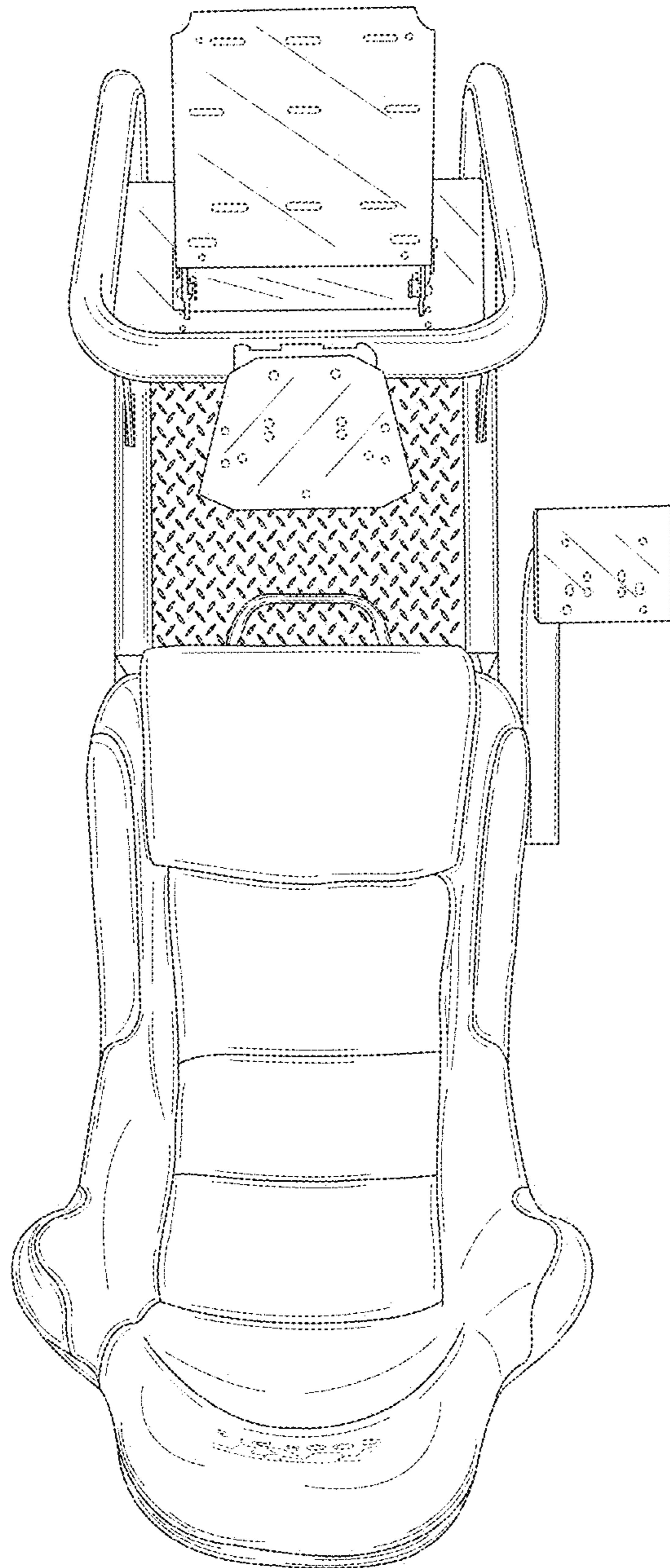


FIG.6