



US00D910757S

(12) **United States Design Patent**
Green et al.

(10) **Patent No.: US D910,757 S**

(45) **Date of Patent: ** Feb. 16, 2021**

(54) **RECREATIONAL TOSSING GAME SET**

(71) Applicants: **Ricky Green**, Sharpsburg, GA (US);
Tracy Green, Sharpsburg, GA (US)

(72) Inventors: **Ricky Green**, Sharpsburg, GA (US);
Tracy Green, Sharpsburg, GA (US)

(**) Term: **15 Years**

(21) Appl. No.: **29/677,240**

(22) Filed: **Jan. 18, 2019**

(51) **LOC (13) Cl. 21-01**

(52) **U.S. Cl.**

USPC **D21/303**

(58) **Field of Classification Search**

USPC D21/300, 301, 302, 303, 304, 318, 319,
D21/334, 335, 336, 341, 342, 343, 365,
D21/379, 385, 386, 390, 396, 699, 789,
D21/790, 791, 793, 794, 397; D23/201,
D23/213, 214; D6/302, 309, 310, 312,
D6/332; 273/317, 317.1, 317.5, 342

CPC A63B 67/00; A63B 71/00; A63B 63/00;
A63B 63/08; A63B 67/06

See application file for complete search history.

(56) **References Cited**

U.S. PATENT DOCUMENTS

D288,828	S *	3/1987	Romestan	D21/304
5,354,067	A *	10/1994	Junemann	A63B 67/06 273/371
D370,032	S *	5/1996	Bidwell	D21/304
5,871,216	A	2/1999	Sparacino		
D478,357	S *	8/2003	Penna	D21/304
7,607,666	B1 *	10/2009	Studier	A63B 63/00 116/222
D635,197	S *	3/2011	Pryor	D21/303
D645,520	S *	9/2011	Dahl	D21/303
8,127,689	B2	3/2012	Christian et al.		
8,915,498	B2	12/2014	Hynds		
D827,031	S *	8/2018	Valladares	D21/303
10,226,675	B2 *	3/2019	Wilder	A63B 67/06

D873,347	S *	1/2020	Mauro	D21/303
2010/0058958	A1 *	3/2010	Christian	A47B 87/002 108/19
2010/0176554	A1 *	7/2010	Godwin	A63B 71/0036 273/338
2011/0278796	A1 *	11/2011	Baculy	A63B 67/06 273/336
2012/0043723	A1 *	2/2012	Rakes	A63B 63/00 273/407
2012/0235356	A1 *	9/2012	Weiss	A63F 1/04 273/398

(Continued)

OTHER PUBLICATIONS

“How to build a regulation cornhole set”, published 2020, [Retrieved May 6, 2020] from internet: <https://www.diynetwork.com/how-to/outdoors/structures/how-to-build-a-regulation-cornhole-set>.*

Primary Examiner — Sandra Snapp
Assistant Examiner — Mehri Bajoul
(74) *Attorney, Agent, or Firm* — Boudwin Intellectual Property; Daniel Boudwin

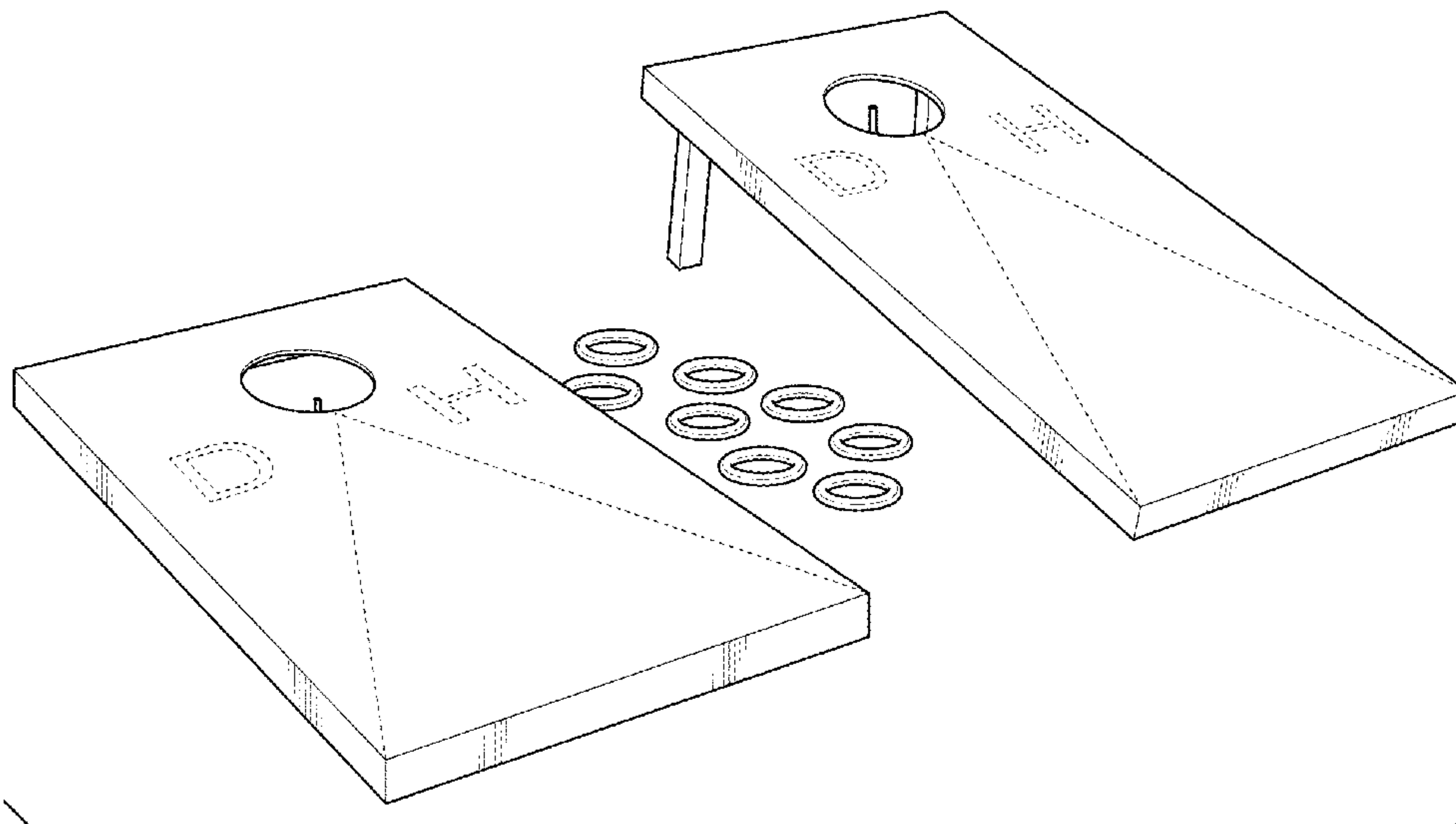
(57) **CLAIM**

The ornamental design for a recreational tossing game set, as shown and described.

DESCRIPTION

FIG. 1 is a perspective view of a recreational tossing game set;
FIG. 2 shows a front view thereof;
FIG. 3 shows a rear view thereof;
FIG. 4 shows a top plan view thereof;
FIG. 5 shows a bottom plan view thereof;
FIG. 6 shows a left side view thereof; and,
FIG. 7 shows a right side view thereof.
The broken lines shown in the Figures show portions of the recreational tossing game set which form no part of the claimed design.

1 Claim, 5 Drawing Sheets



(56)

References Cited

U.S. PATENT DOCUMENTS

2013/0082442 A1* 4/2013 Hanel A63B 63/00
273/398
2014/0151963 A1* 6/2014 Bennett A63B 67/06
273/348
2017/0014704 A1* 1/2017 Bell A63B 67/06
2017/0138586 A1* 5/2017 Finch F21S 4/22
2017/0259143 A1* 9/2017 Ramnarine A63B 63/08
2018/0056155 A1* 3/2018 McAuley A63B 67/02
2018/0085649 A1* 3/2018 O'Neill A63B 65/00

* cited by examiner

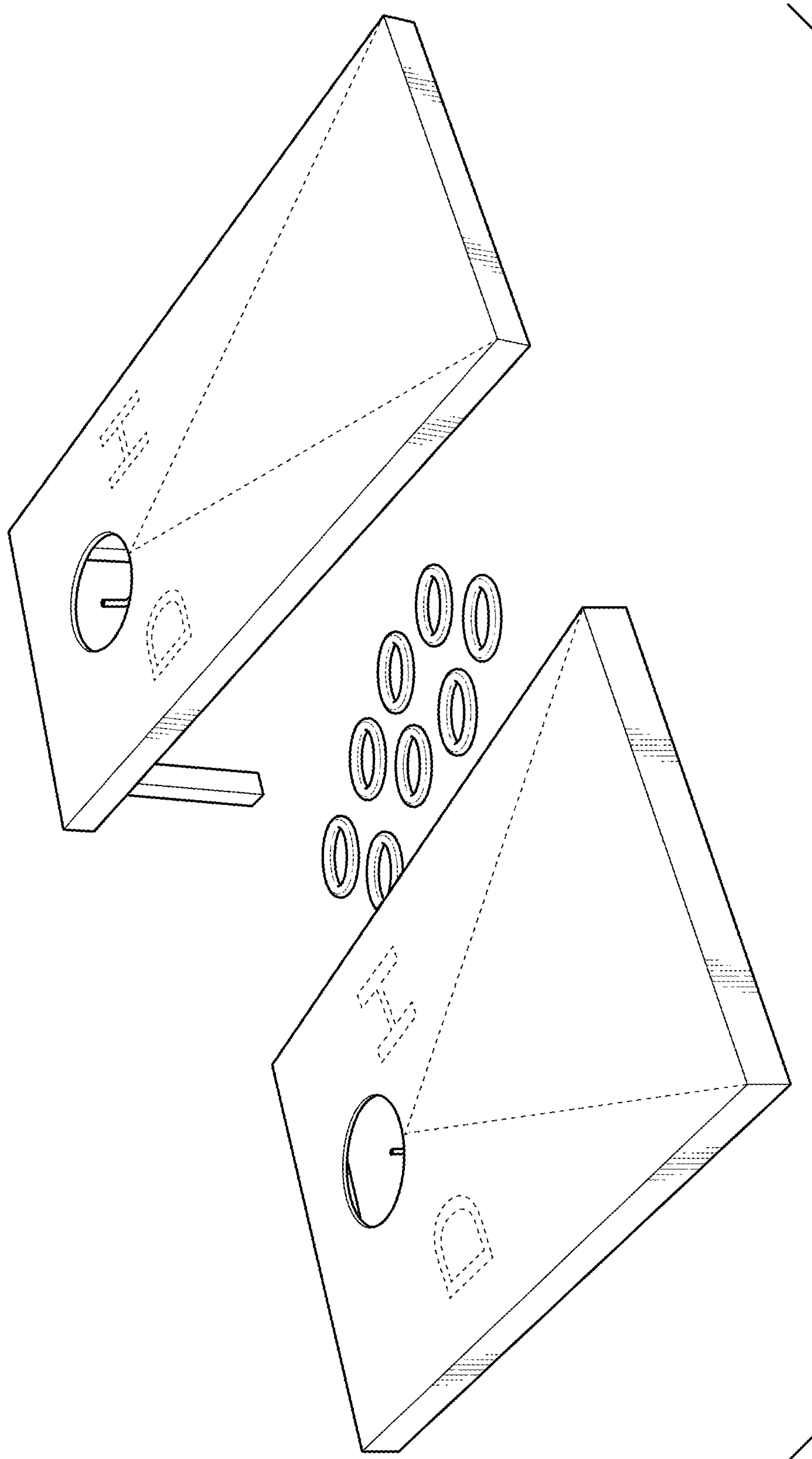


FIG. 1

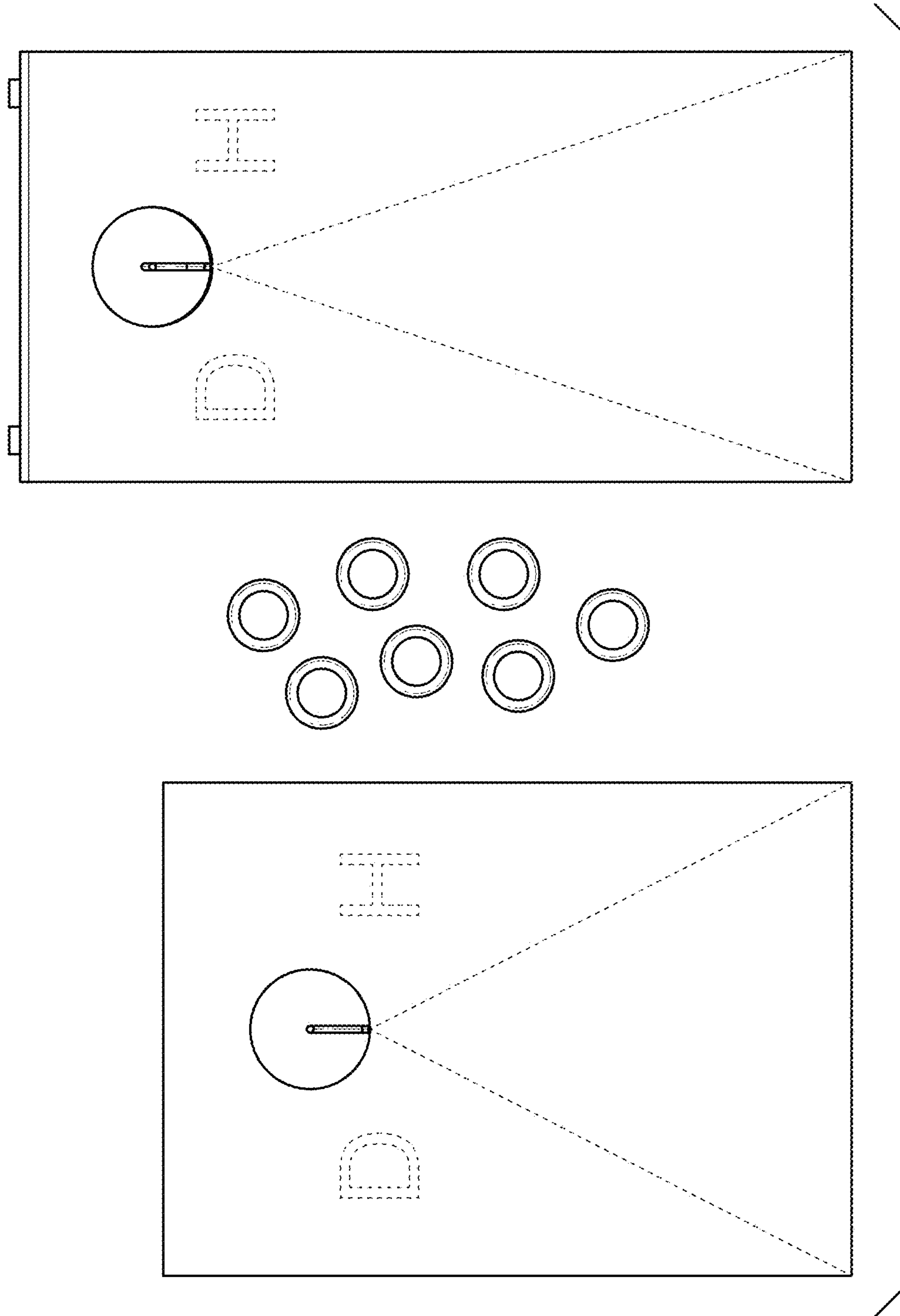


FIG. 2

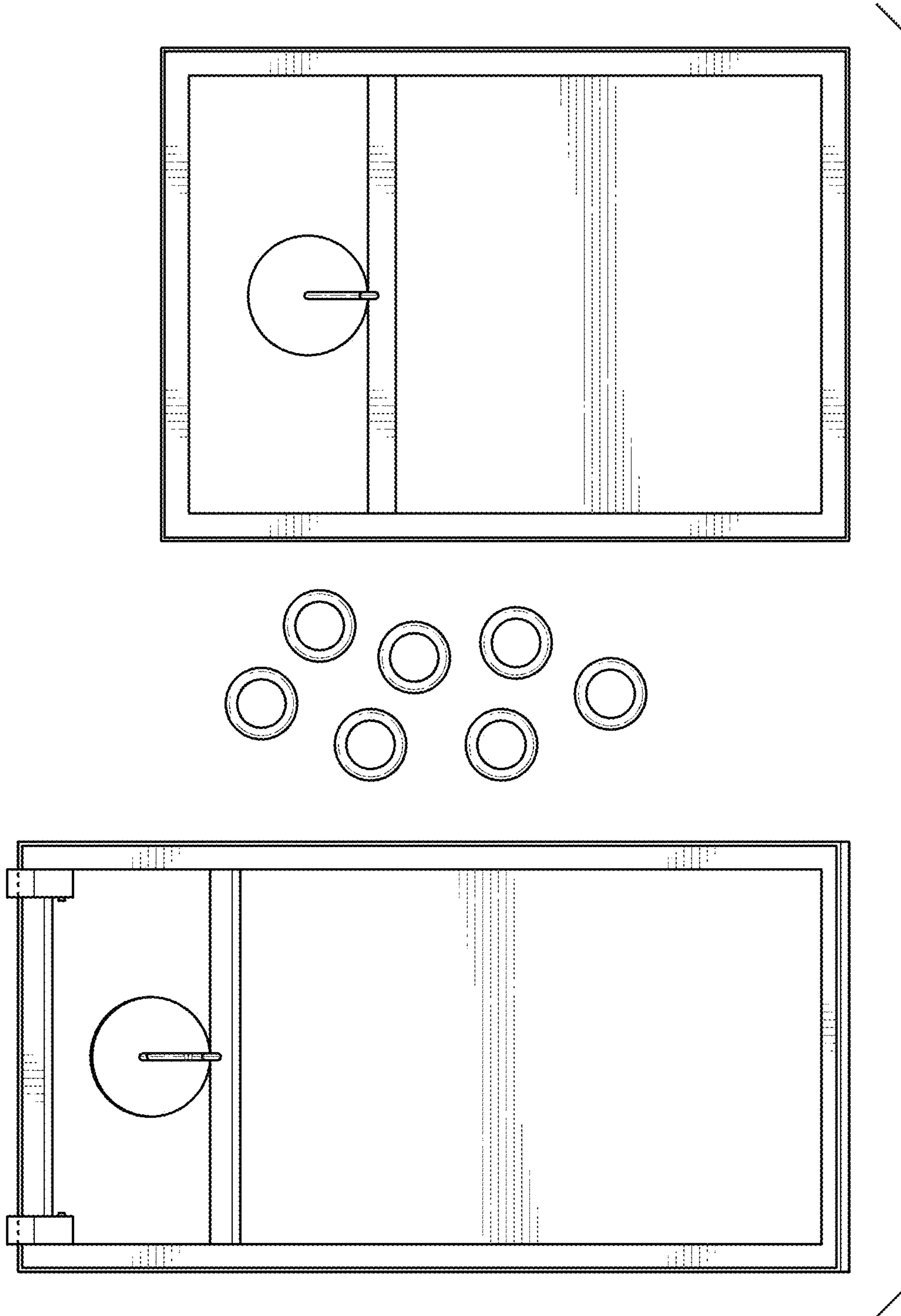


FIG. 3

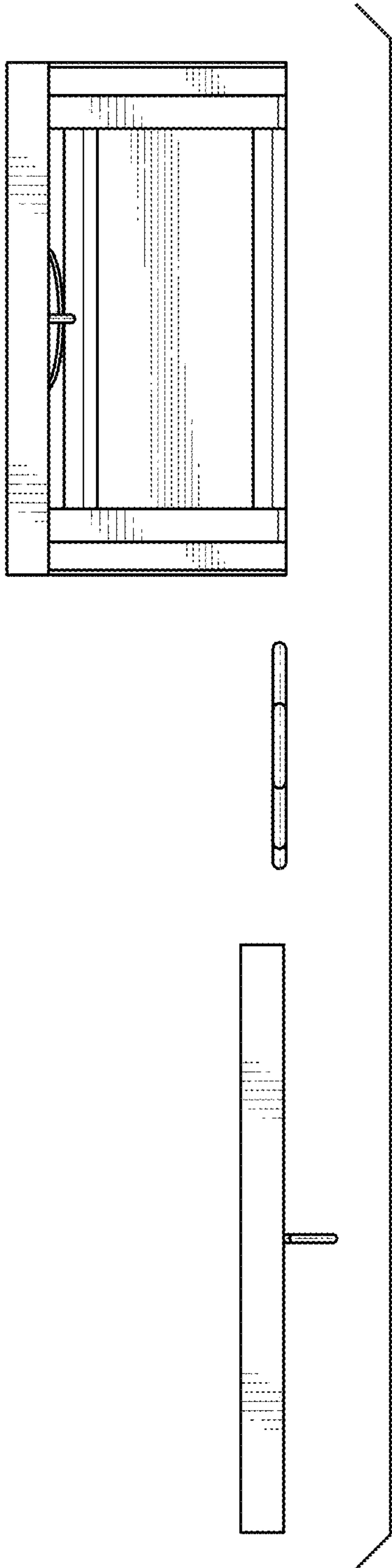


FIG. 4

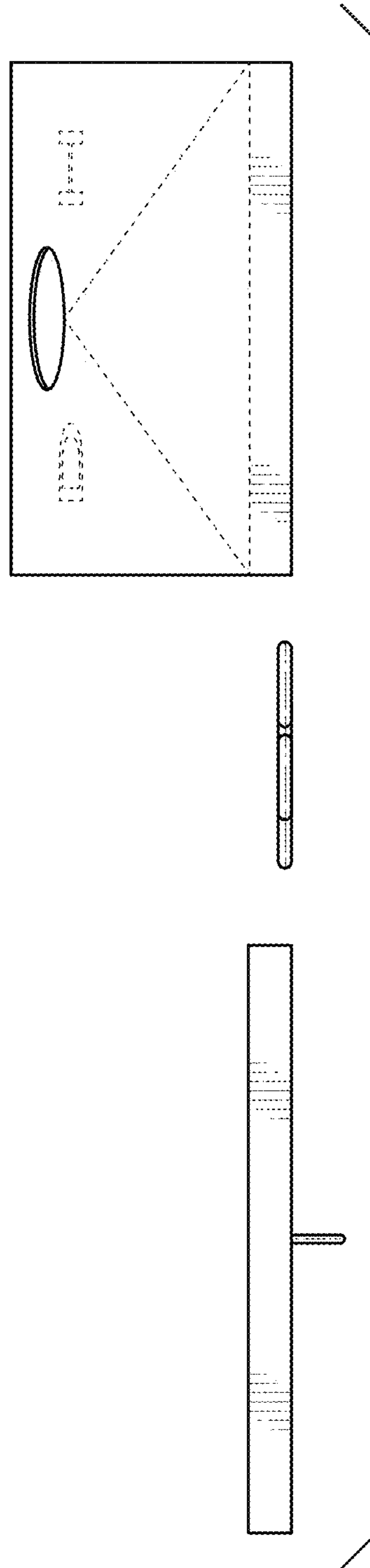


FIG. 5

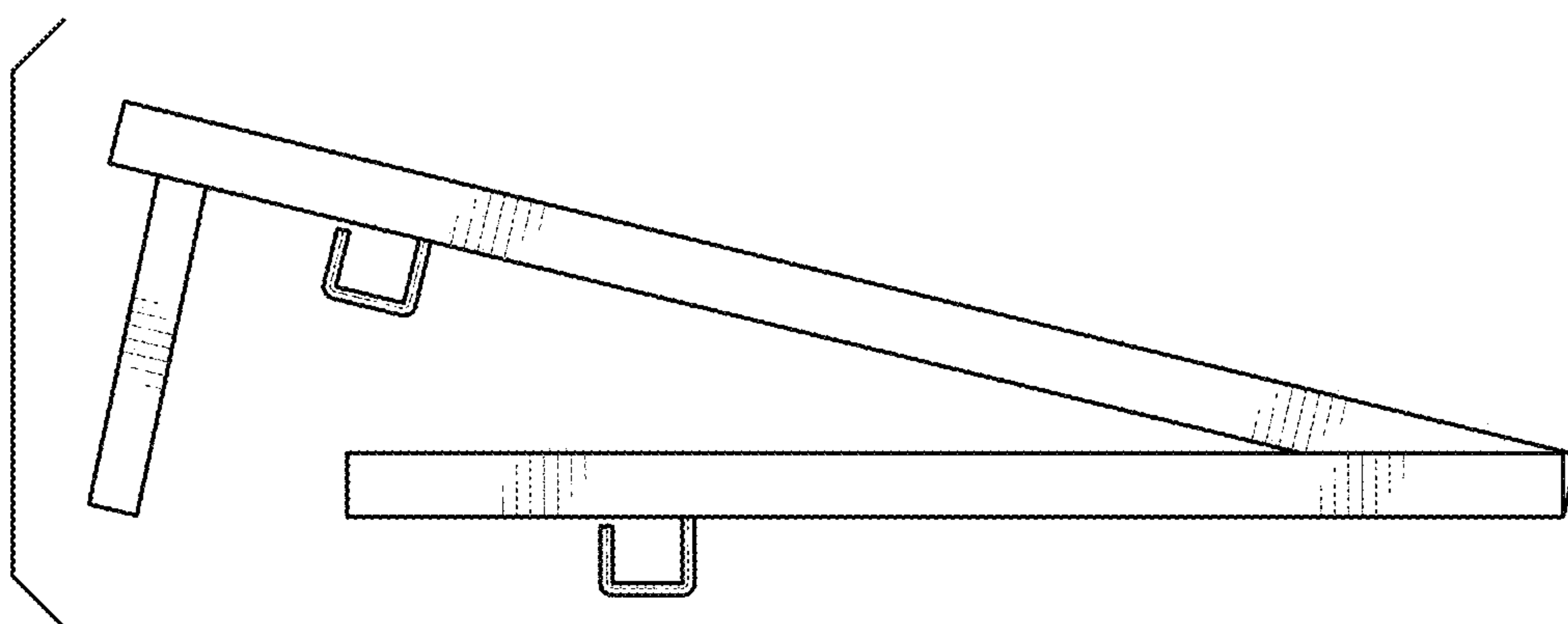


FIG. 6

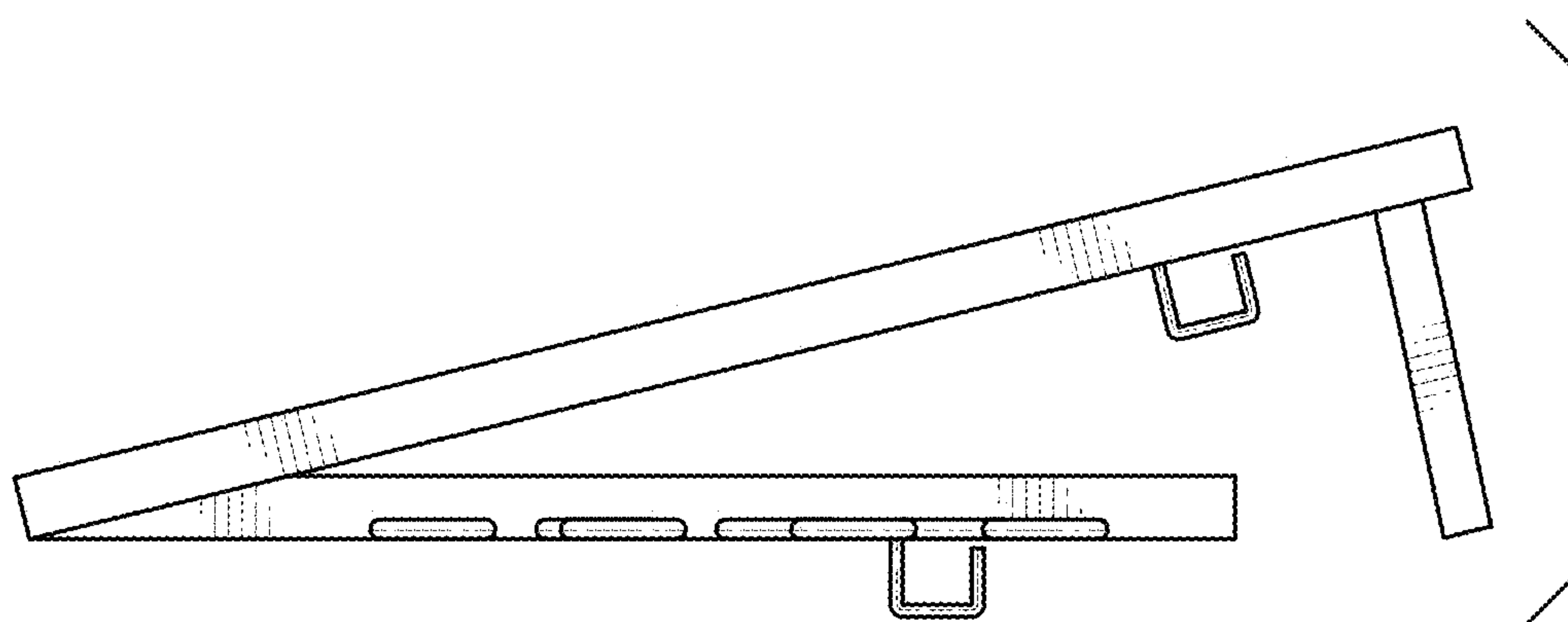


FIG. 7