



US00D910755S

(12) **United States Design Patent**
Milbrandt et al.

(10) **Patent No.:** **US D910,755 S**

(45) **Date of Patent:** **** Feb. 16, 2021**

(54) **CLIP TAG**

(71) Applicant: **Bedford Industries, Inc.**, Worthington, MN (US)

(72) Inventors: **Jay Milbrandt**, Worthington, MN (US); **Jaden Balster**, Adrian, MN (US); **Eric Milbrath**, Brewster, MN (US); **Evan Place**, Lakefield, MN (US); **Trevor Wintz**, Round Lake, MN (US)

(73) Assignee: **BEDFORD INDUSTRIES, INC.**, Worthington, MN (US)

(**) Term: **15 Years**

(21) Appl. No.: **29/641,621**

(22) Filed: **Mar. 23, 2018**

(51) **LOC (13) Cl.** **19-08**

(52) **U.S. Cl.**
USPC **D20/22**

(58) **Field of Classification Search**
USPC D9/434, 435; D10/109.1, 109.2, 113.4; D20/10, 11, 19, 22-28, 40, 99; D26/31; 40/368, 446, 452, 453, 488, 538, 541, 40/542, 545-548, 563, 564, 568, 40/570-574, 582, 584, 594, 596, 600, 40/605, 615, 617, 618, 624; 362/217, 362/551, 559, 562, 565, 806, 811, 812; D19/1, 6, 9, 10

CPC G09F 7/16; G09F 2007/122; G09F 13/00; G09F 13/04; G09F 13/06; G09F 13/18; G09F 13/22; G09F 13/24; G09F 13/26; G09F 2013/1895; G09F 15/00

See application file for complete search history.

(56) **References Cited**

U.S. PATENT DOCUMENTS

1,348,899 A * 8/1920 Sargent G09F 1/04
40/310
1,619,511 A * 3/1927 Hausner G09F 7/00
40/310

3,164,250 A * 1/1965 Paxton B65B 51/043
206/343
3,417,912 A * 12/1968 Paxton B65D 33/1625
383/71
3,732,662 A 5/1973 Paxton
3,822,441 A * 7/1974 Paxton B65D 33/1625
24/30.5 S
4,026,413 A 5/1977 Britt et al.
(Continued)

OTHER PUBLICATIONS

“Advertising sale wobblers on bended transparent stripe . . .”
thehungryjpeg.com. Date not available. Accessed Jan. 29, 2020.
Available online at URL: <https://thehungryjpeg.com/product/3489145-advertising-sale-wobblers-on-bended-transparent-stripe-round-point-tag> (Year: N/A).*

(Continued)

Primary Examiner — Christian P. McLean

(74) *Attorney, Agent, or Firm* — James L. Young;
Westman, Champlin & Koehler, P.A.

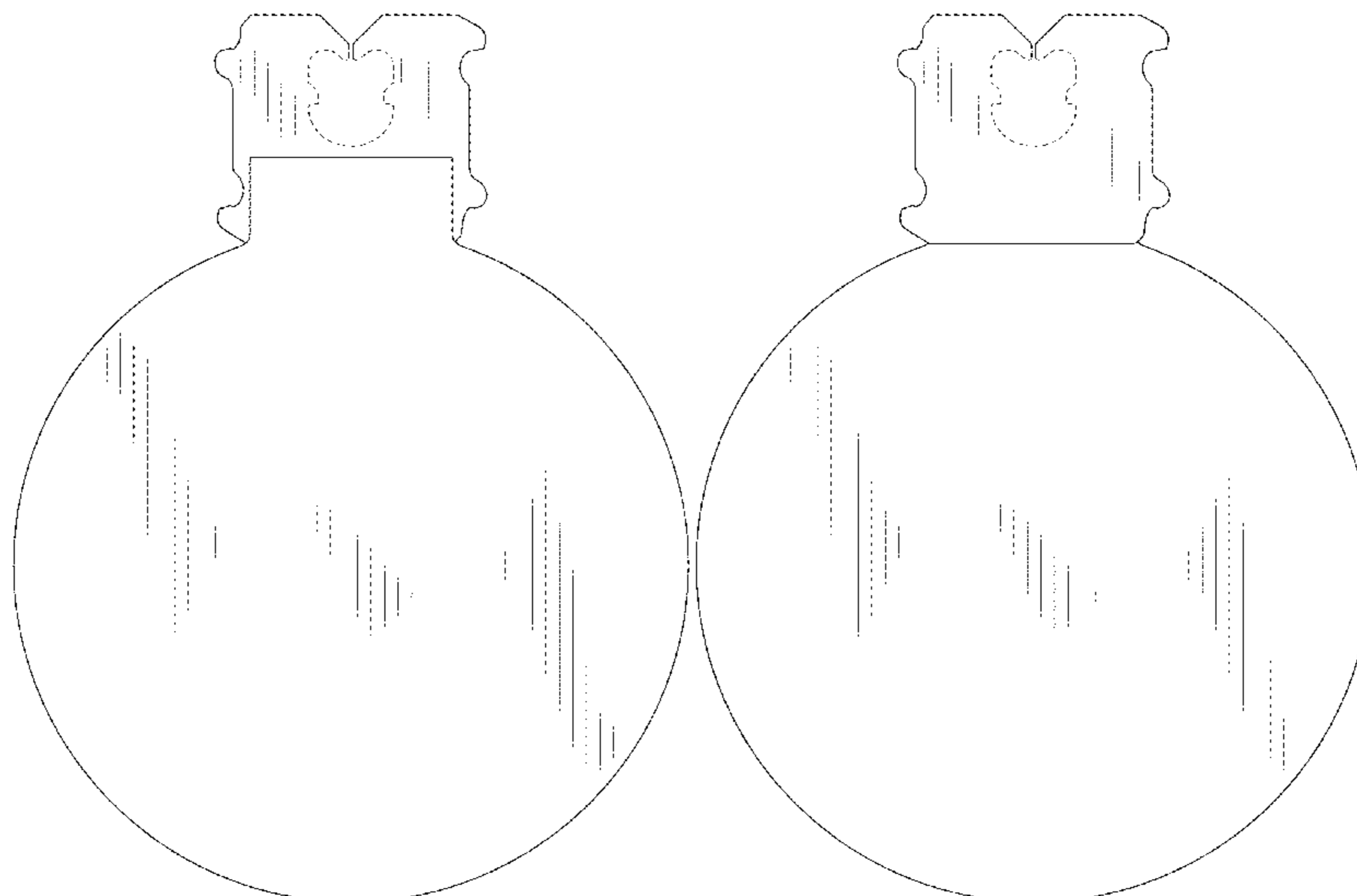
(57) **CLAIM**

The ornamental design for a clip tag, as shown and described.

DESCRIPTION

FIG. 1 is a perspective view thereof;
FIG. 2 is a front view thereof;
FIG. 3 is a right side view thereof;
FIG. 3A is an enlarged view of the area 3A shown in FIG. 3;
FIG. 4 is a left side view thereof;
FIG. 5 is a top view thereof;
FIG. 6 is a bottom view thereof; and,
FIG. 7 is a rear view thereof.
The evenly spaced dashed lines illustrate portions of the clip tag and form no part of the claim.

1 Claim, 4 Drawing Sheets



(56)

References Cited

U.S. PATENT DOCUMENTS

4,292,714 A 10/1981 Walker
 D280,646 S * 9/1985 Howard D20/40
 D297,057 S * 8/1988 Gardner D30/155
 4,911,293 A 3/1990 Holmes
 D408,865 S * 4/1999 Link D20/22
 D411,450 S 6/1999 Vincent et al.
 D412,535 S 8/1999 Tinklenberg et al.
 D413,356 S * 8/1999 Ingram D20/40
 D427,640 S * 7/2000 Derentz D20/22
 D428,932 S * 8/2000 Caloia D13/154
 D476,694 S * 7/2003 Snow D20/27
 D477,368 S * 7/2003 Massey D20/27
 D493,840 S * 8/2004 Best D20/27
 D502,031 S * 2/2005 Cassidy D20/40
 D517,122 S * 3/2006 Milliorn G09F 3/10
 D520,066 S * 5/2006 Xiao D20/28
 D532,049 S 11/2006 Ludlow
 D539,140 S 3/2007 Irwin
 D556,265 S * 11/2007 Cuzzocrea D20/40
 D585,497 S * 1/2009 Williams, Jr. D20/22
 D588,012 S * 3/2009 Navarro D9/415
 D610,202 S * 2/2010 Katz D20/22
 D615,401 S * 5/2010 Ouimette D20/22
 D617,844 S * 6/2010 Stone D20/27
 D627,826 S * 11/2010 Halimi D20/27
 D627,827 S * 11/2010 Rogers D20/27
 D640,327 S * 6/2011 Gorzo D20/22
 D656,012 S * 3/2012 Leu D20/28
 D661,184 S * 6/2012 Barrett D9/434

D668,718 S * 10/2012 Clark D20/22
 D678,951 S * 3/2013 Kaderli D20/27
 D692,954 S * 11/2013 Eisenberg D20/19
 D707,553 S 6/2014 Vantrease
 D720,223 S * 12/2014 Risinger D9/456
 D741,408 S * 10/2015 Engelby D20/40
 D742,968 S * 11/2015 Marcinkowski D20/22
 D775,834 S * 1/2017 Sassi D3/318
 D792,024 S * 7/2017 Maman D20/40
 D802,660 S * 11/2017 Pryor D19/1
 D839,961 S * 2/2019 Hall D20/10
 10,242,602 B2 * 3/2019 Heinrichs G09F 3/206
 D846,027 S * 4/2019 Eckert D20/28
 10,388,192 B2 * 8/2019 Milbrandt G09F 3/14
 D871,215 S * 12/2019 Yu D9/456
 D888,154 S * 6/2020 Heinrichs D20/27
 2007/0024050 A1 * 2/2007 White G09F 3/0292
 283/81

OTHER PUBLICATIONS

Grundhauser, Eric. "Most of the World's Bread Clips Are Made by a Single Company." atlasobscura.com. May 25, 2017. Accessed Aug. 13, 2020. Available online at URL: <https://www.atlasobscura.com/articles/bread-tabs-clips-paxton> (Year: 2017).*
 ElastiTag Dieline Index, accessed from http://es.elastitag.com/ElastiTag_Level_4/dielines.shtml on Jul. 2, 2018.
 Kwik Lok Bag Closures Catalog #101, Sep. 29, 2016.
 Kwik Lok Closure Labels, accessed from <http://www.kwiklok.com/kwik-lok-label-marketing.php> on Jul. 12, 2018.

* cited by examiner

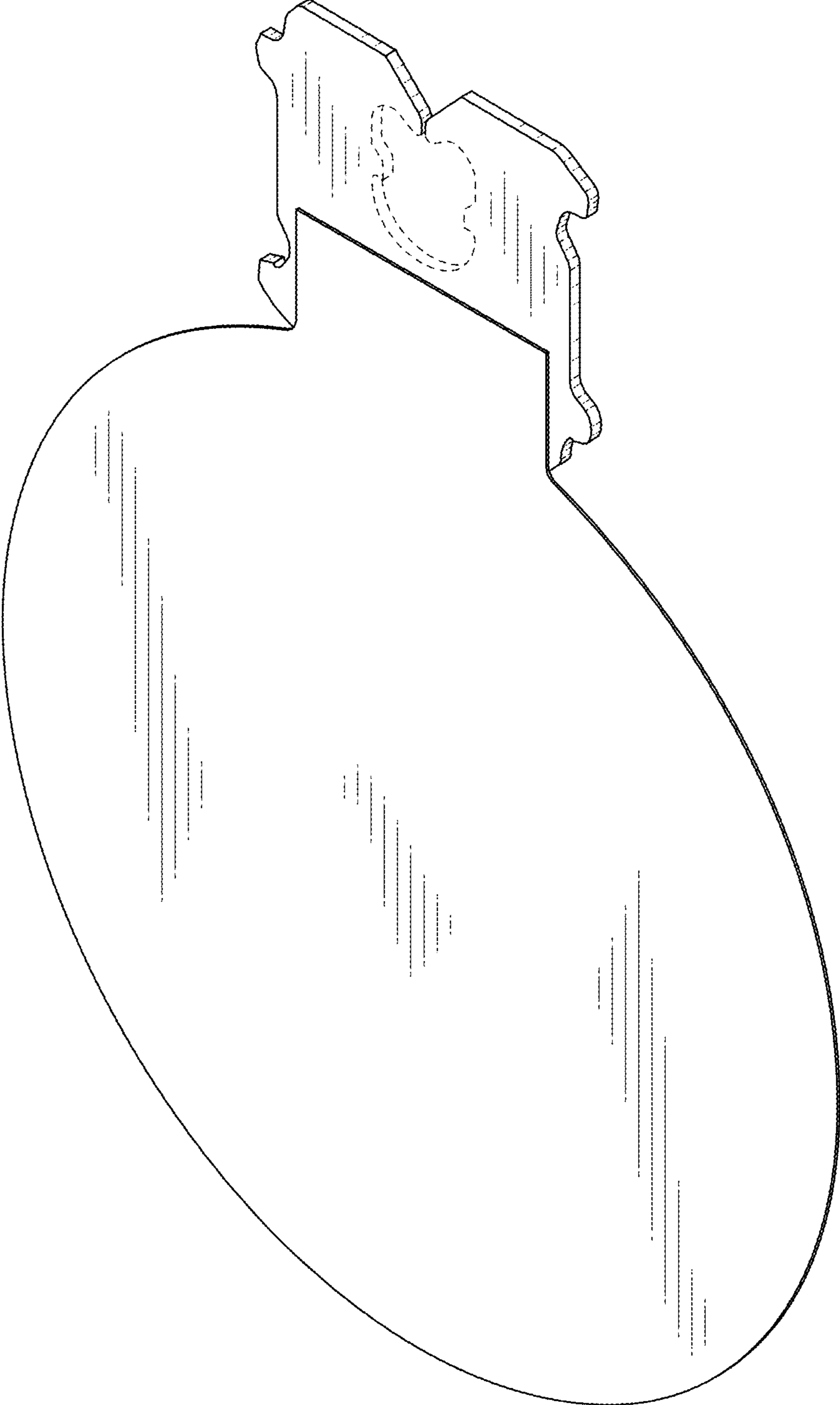


FIG. 1

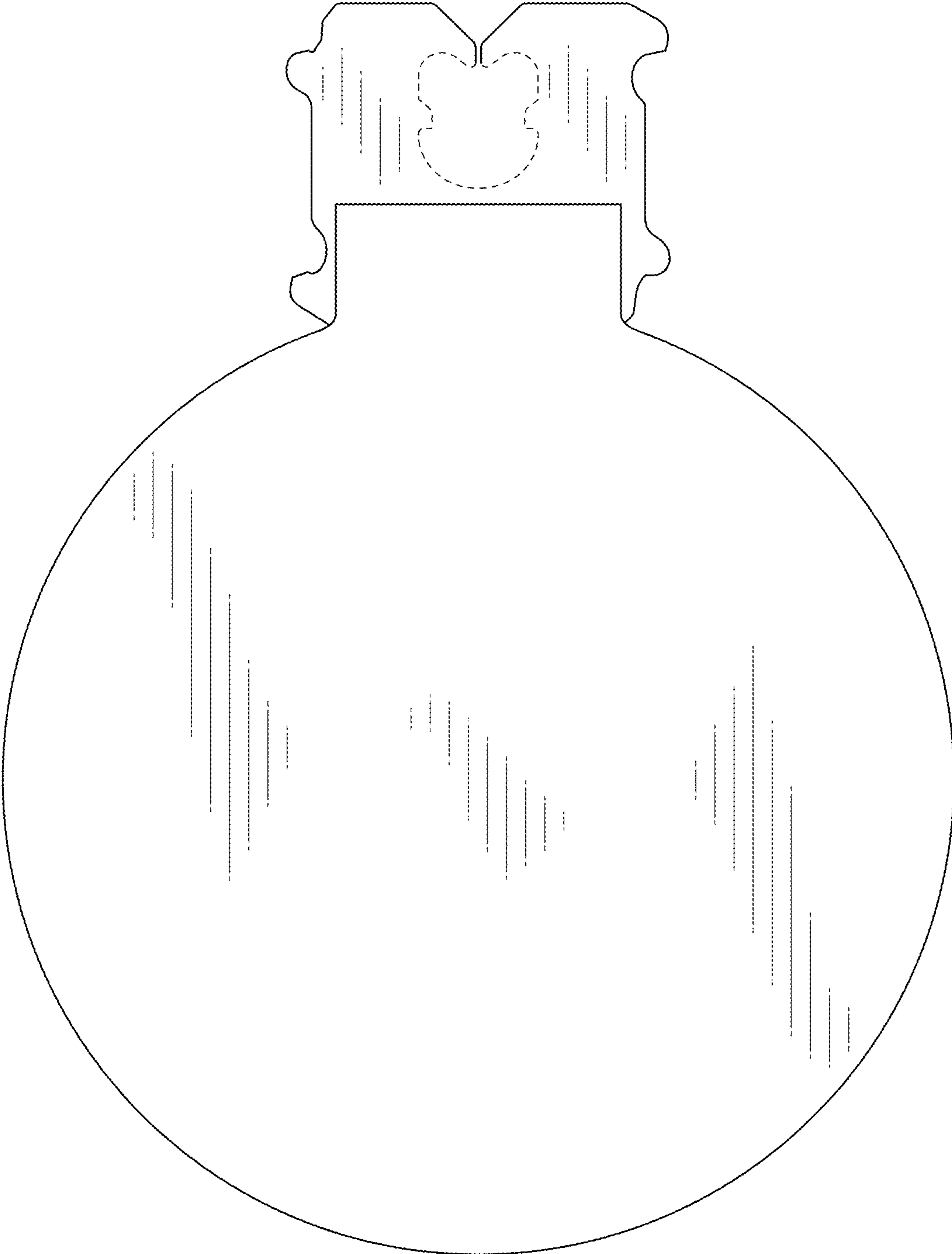
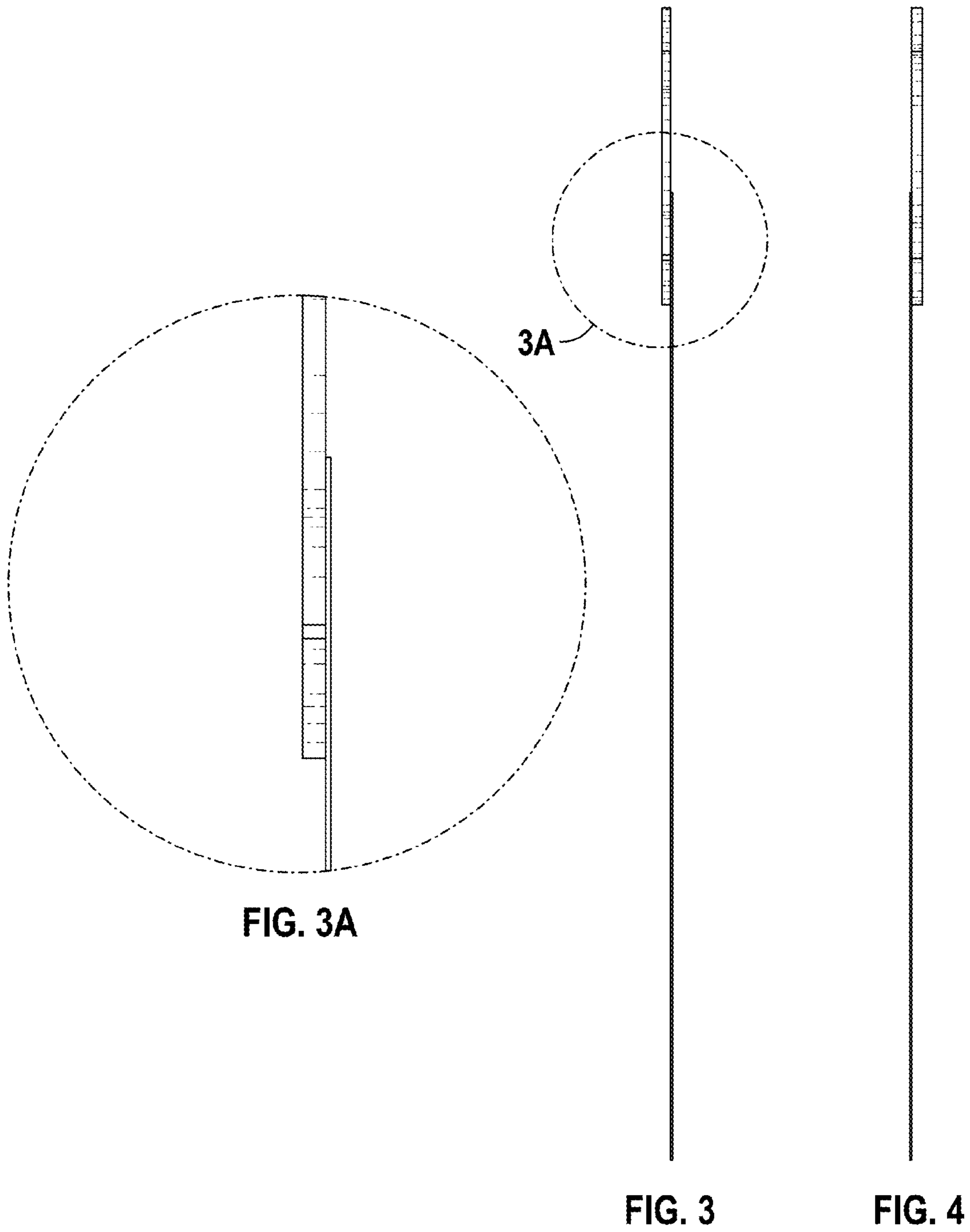


FIG. 2



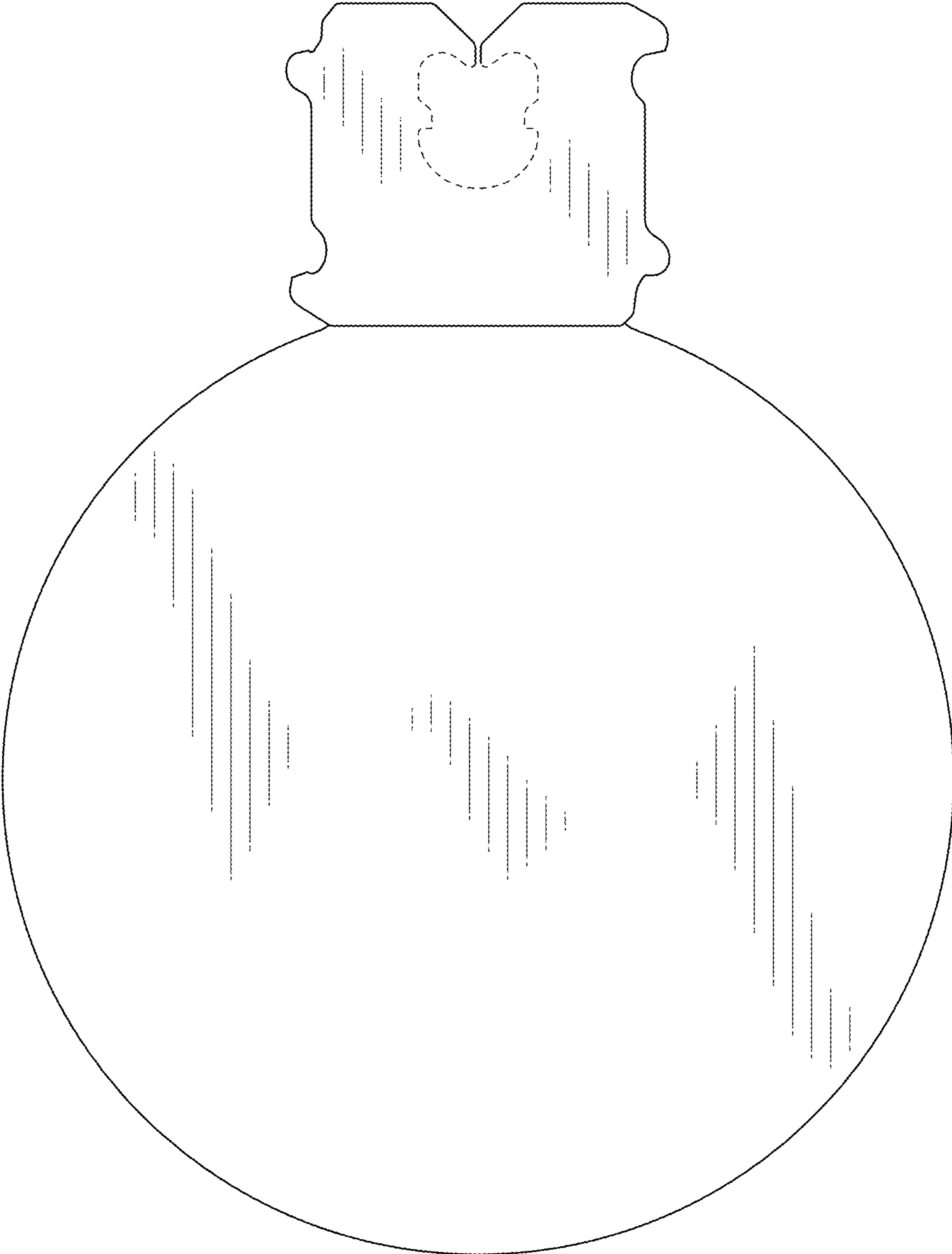


FIG. 7