



US00D910749S

(12) **United States Design Patent**
Stevens

(10) **Patent No.:** **US D910,749 S**

(45) **Date of Patent:** **** Feb. 16, 2021**

- (54) **DISPLAY STAND**
- (71) Applicant: **HERMAN MILLER LIMITED,**
Melksham (GB)
- (72) Inventor: **Richard Stevens,** Cornwall (GB)
- (73) Assignee: **HERMAN MILLER LIMITED,**
Melksham (GB)
- (**) Term: **15 Years**
- (21) Appl. No.: **29/670,217**
- (22) Filed: **Nov. 14, 2018**
- (51) **LOC (13) Cl.** **19-02**
- (52) **U.S. Cl.**
USPC **D19/91**
- (58) **Field of Classification Search**
USPC D19/75, 91, 113; D6/310, 677, 682,
D6/681.1, 682.3; D8/373; D14/451;
D20/28, 40, 43
CPC G09F 1/10; A47B 97/04
See application file for complete search history.

- D330,914 S * 11/1992 Muller D19/75
- D333,157 S * 2/1993 Kirchner D19/75
- D336,311 S * 6/1993 Tam D19/75
- 5,537,767 A * 7/1996 Schneider G09F 1/14
40/606.18
- 5,857,654 A * 1/1999 Berman A47B 21/045
248/441.1
- D552,357 S * 10/2007 Fu D10/2
- D601,633 S * 10/2009 Dill D19/91
- D697,786 S * 1/2014 McMahon D8/383
- D716,928 S * 11/2014 Falduto D23/366
- D747,582 S * 1/2016 Weller D32/40
- D860,692 S * 9/2019 Vodrazka D6/677
- D866,117 S * 11/2019 Morabito D2/639
- D874,165 S * 2/2020 Hamilton D6/332
- D882,281 S * 4/2020 Park D6/310

(Continued)

Primary Examiner — Elizabeth A. Albert

(74) *Attorney, Agent, or Firm* — Michael Best & Friedrich LLP

(57) **CLAIM**

The ornamental design for a display stand, as shown and described.

DESCRIPTION

FIG. 1 is a top perspective view of an embodiment of the design with an example of a display board inserted into the display stand.

FIG. 2 is a top perspective view of the display stand of FIG. 1.

FIG. 3 is a bottom perspective view of FIG. 2.

FIG. 4 is a front view of FIG. 2.

FIG. 5 is a rear view of FIG. 2.

FIG. 6 is a top view of FIG. 2.

FIG. 7 is a right side view of FIG. 2; and,

FIG. 8 is a left side view of FIG. 2.

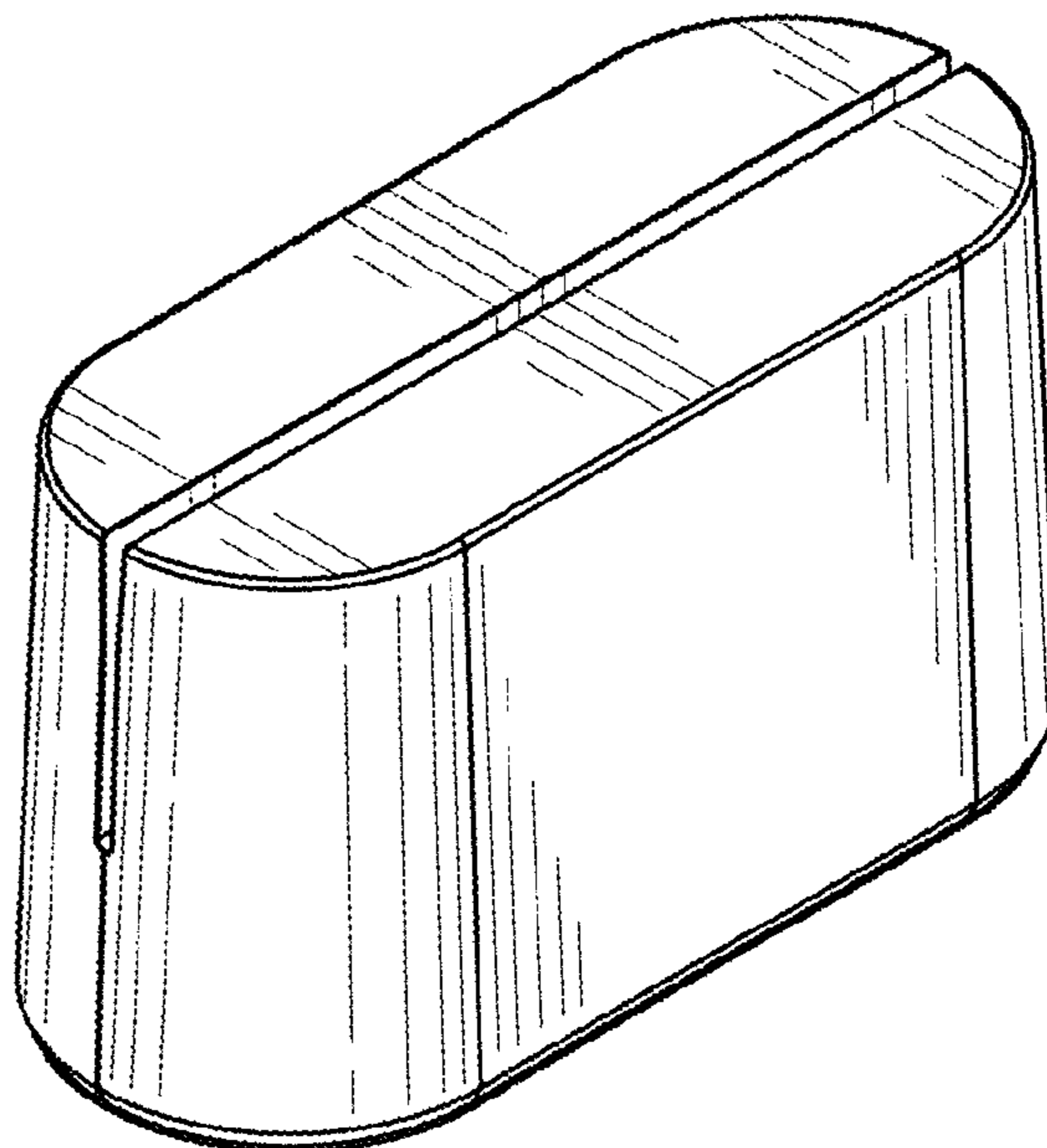
The broken lines shown in the drawings depict portions of the display stand that form no part of the claimed design.

1 Claim, 5 Drawing Sheets

(56) **References Cited**

U.S. PATENT DOCUMENTS

- 1,152,461 A * 9/1915 Wright G09F 1/14
248/473
- 1,516,721 A * 11/1924 Emery B21K 1/707
470/19
- D101,143 S * 9/1936 Shank D6/310
- D115,005 S * 5/1939 Petzold D11/164
- D130,913 S * 12/1941 Meyer D6/310
- D149,202 S * 4/1948 Maugham D6/314
- D195,096 S * 4/1963 Broeren et al. D6/518
- D234,510 S * 3/1975 Mori D19/78
- D250,035 S * 10/1978 Kajiwara D19/73
- D258,082 S * 1/1981 Schimanski 239/59
- D267,153 S * 12/1982 Lebowitz D19/75



(56)

References Cited

U.S. PATENT DOCUMENTS

2015/0354612 A1* 12/2015 Koch F16B 5/0052
403/376

* cited by examiner

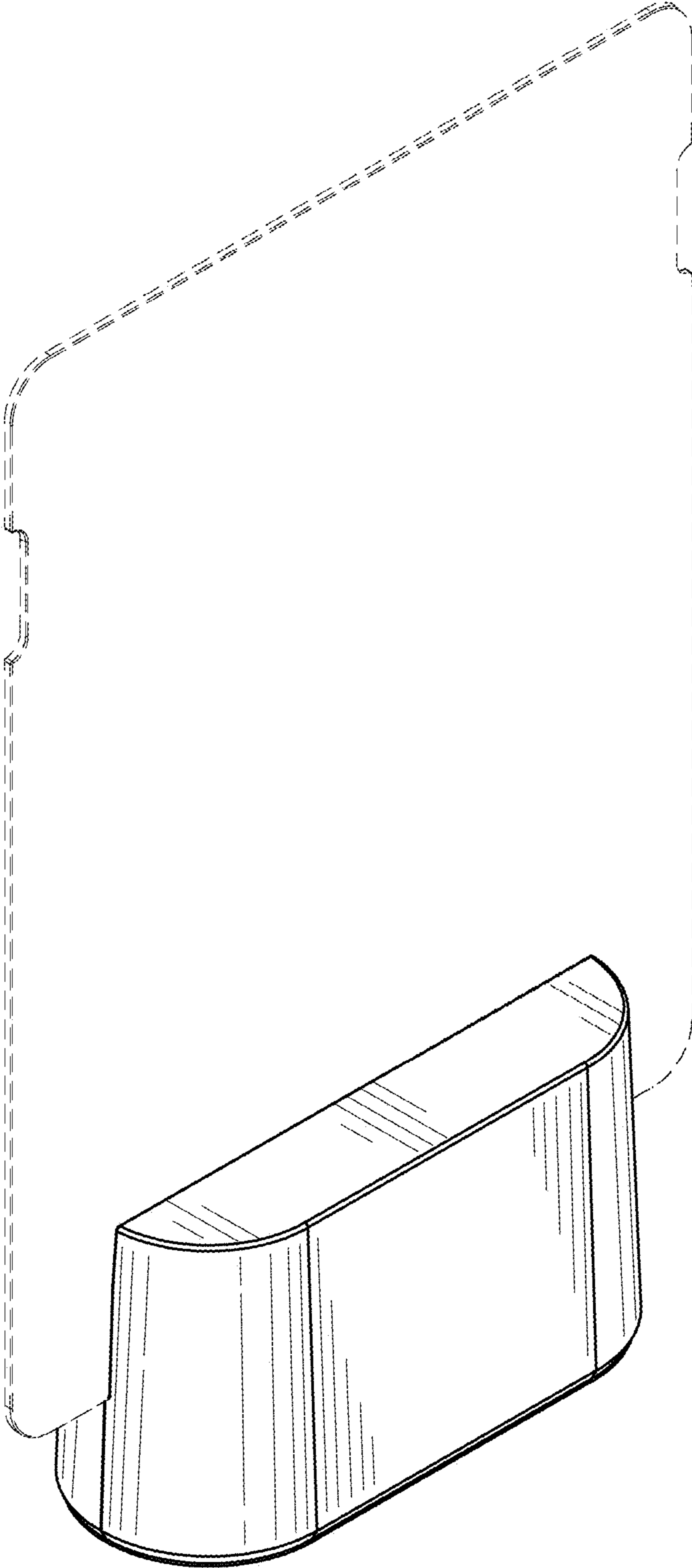


FIG. 1

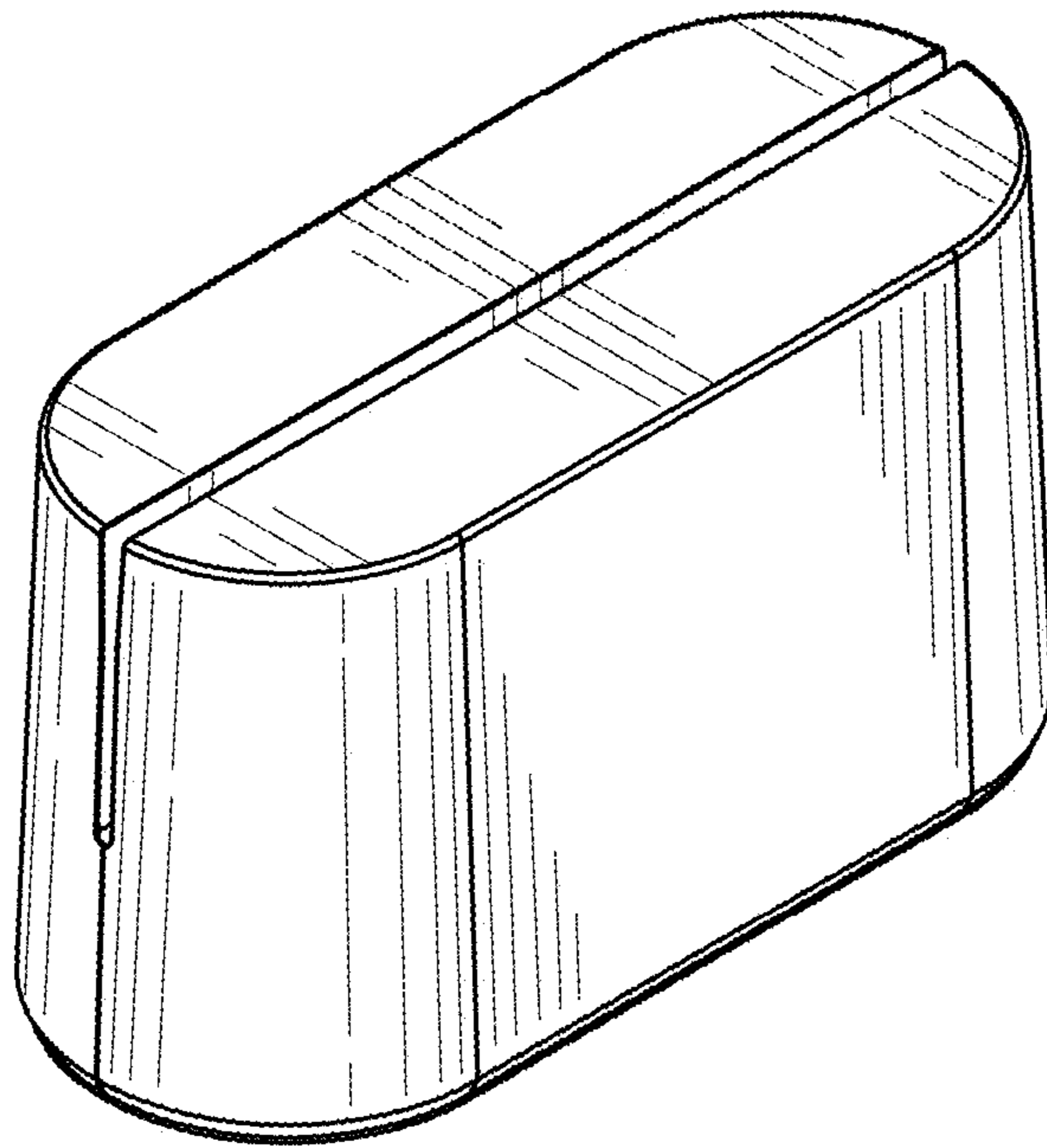


FIG. 2

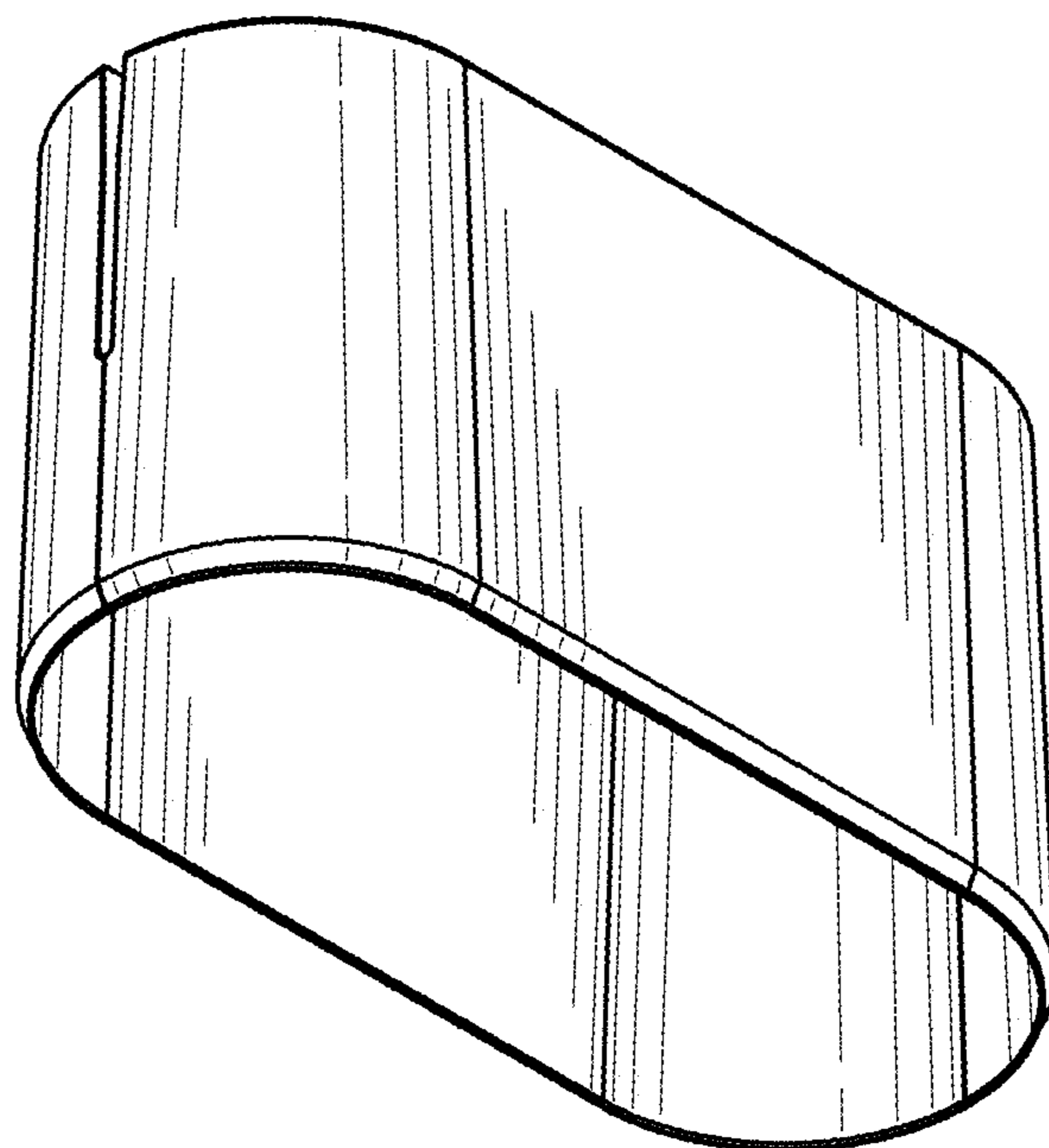


FIG. 3

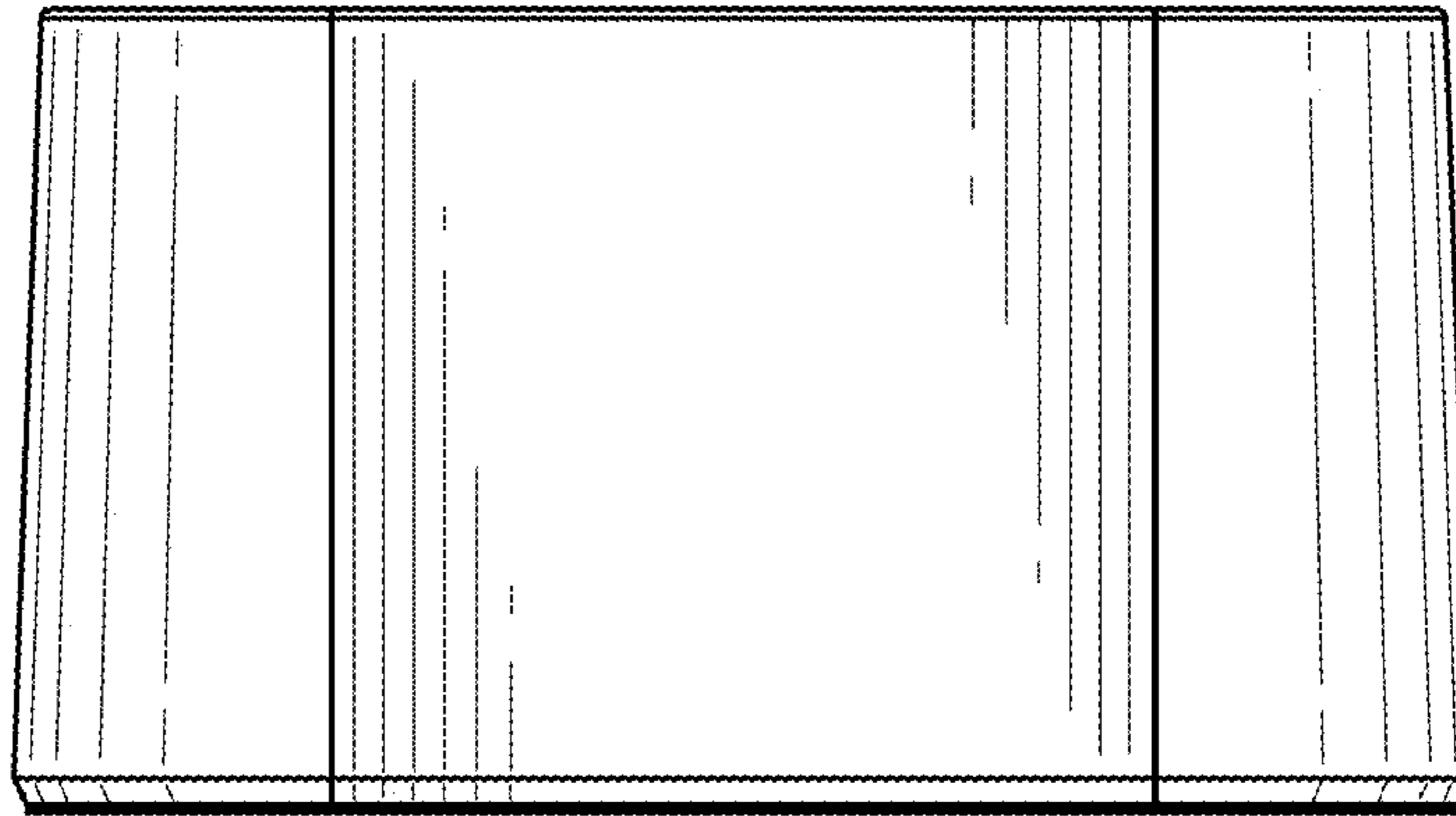


FIG. 4

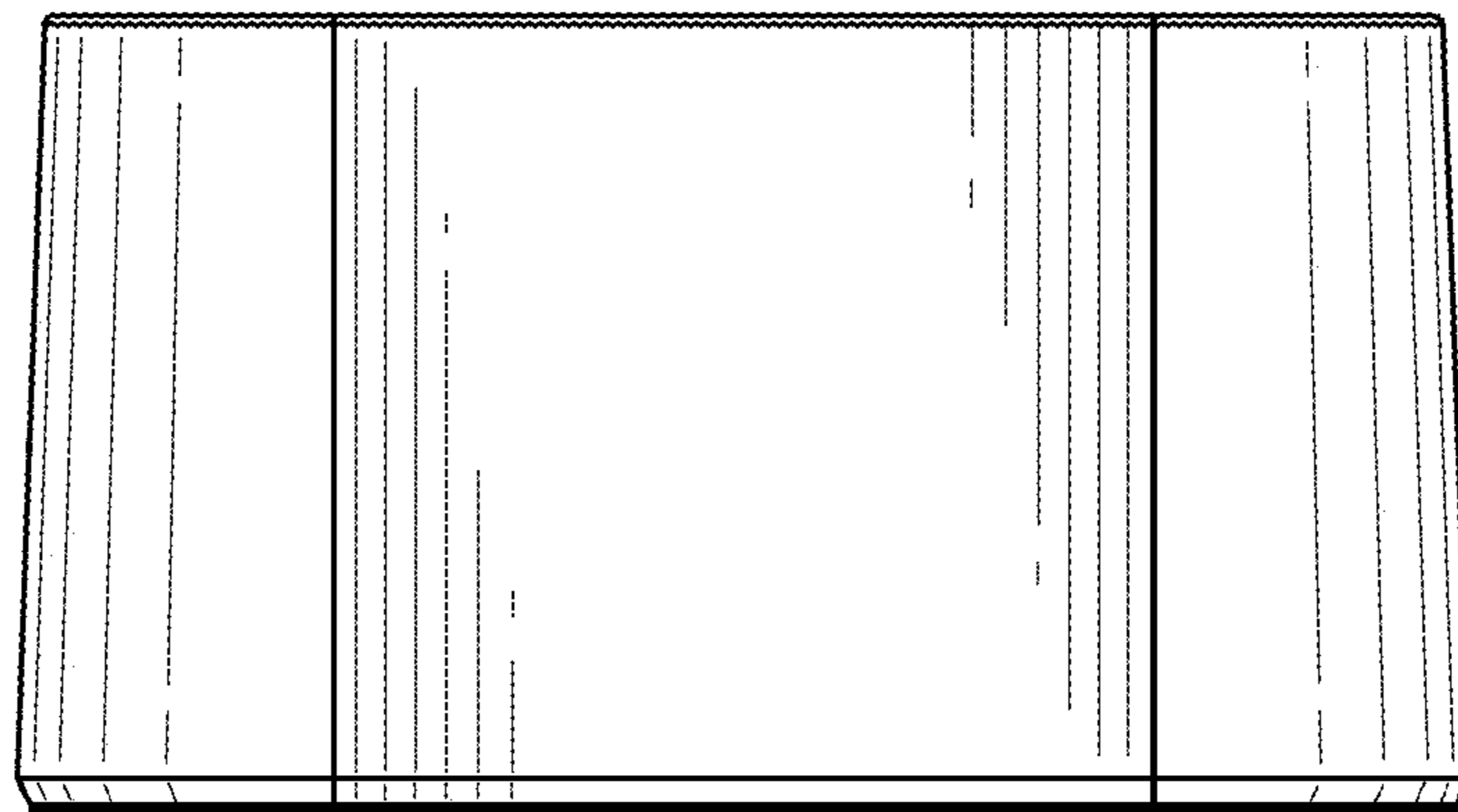


FIG. 5

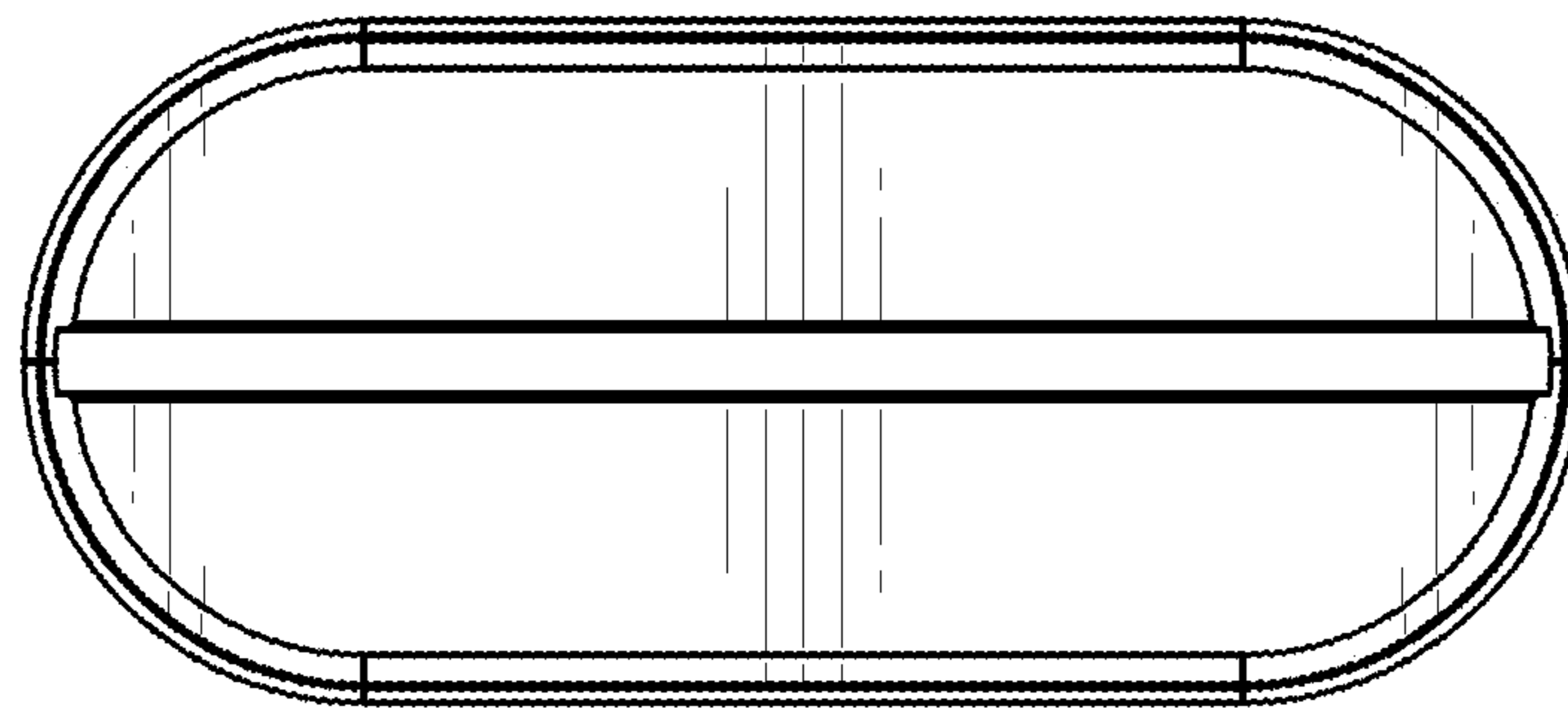


FIG. 6

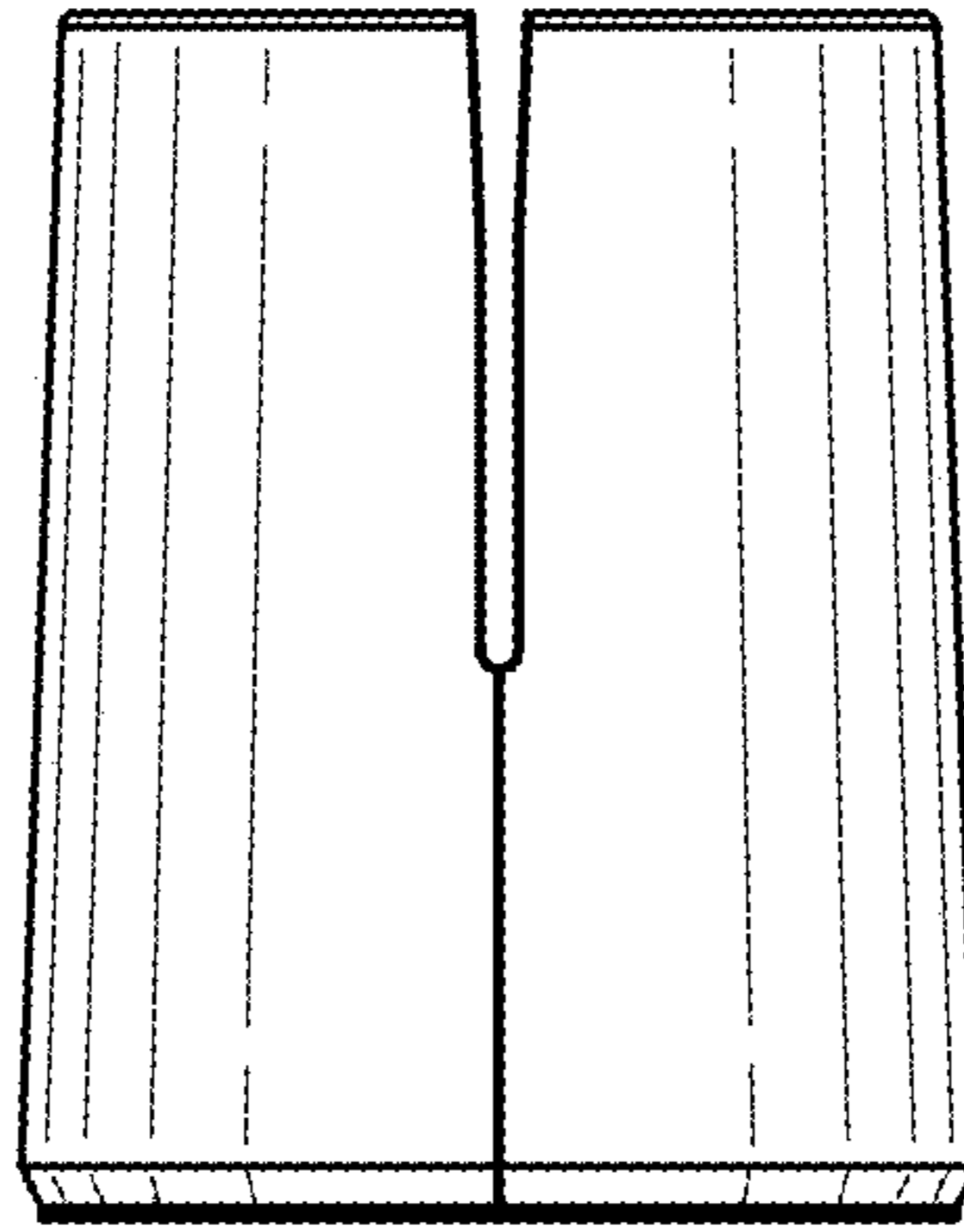


FIG. 7

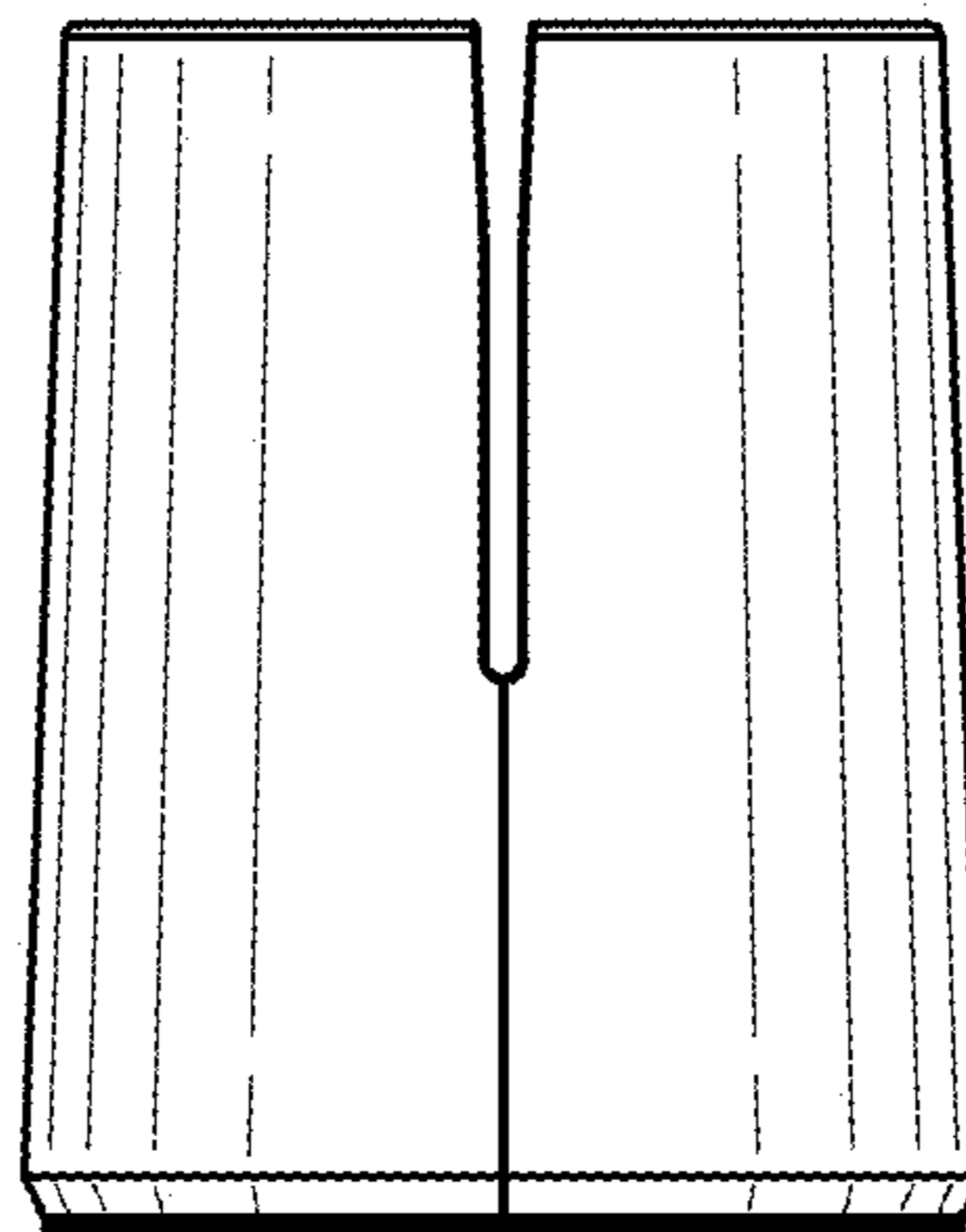


FIG. 8