



US00D910746S

(12) **United States Design Patent** (10) **Patent No.:** **US D910,746 S**
Takeda et al. (45) **Date of Patent:** **** Feb. 16, 2021**

(54) **THERMAL HEAD FOR A PRINTER**

OTHER PUBLICATIONS

(71) Applicants: **SATO HOLDINGS KABUSHIKI KAISHA**, Tokyo (JP); **KYOCERA Corporation**, Kyoto (JP)

IBM aCard IDE to LVD-SCSi Bridge Adapter, posted 2010 (online), [retrieved Jun. 20, 2020] retrieved from the internet, https://www.amazon.com/aCard-LVD-SCSi-Bridge-Adapter-AEC-7722/dp/B00BNHQ3BE/ref=sr_1_27?crd=V4ASHR022K3H&dchild=1&keywords= (Year: 2010).*

(72) Inventors: **Yasuhide Takeda**, Saitama (JP); **Kazuya Shindo**, Kirishima (JP)

(Continued)

(73) Assignees: **SATO HOLDINGS KABUSHIKI KAISHA**, Tokyo (JP); **KYOCERA CORPORATION**, Kyoto (JP)

Primary Examiner — Manpreet S Matharu

Assistant Examiner — J. Thorn, Sr.

(74) *Attorney, Agent, or Firm* — Foley & Lardner LLP

(**) Term: **15 Years**

(21) Appl. No.: **29/659,475**

(57) **CLAIM**

(22) Filed: **Aug. 9, 2018**

We claim the ornamental design for a thermal head for a printer, as shown and described.

(51) **LOC (13) Cl.** **18-02**

(52) **U.S. Cl.**

USPC **D18/56**

(58) **Field of Classification Search**

USPC D18/56

CPC B41J 11/02; B41J 11/04; B41J 2/1721; G11B 33/12

See application file for complete search history.

DESCRIPTION

(56) **References Cited**

U.S. PATENT DOCUMENTS

5,366,302	A	11/1994	Masumura et al.	
5,565,905	A	10/1996	Kajiya et al.	
D375,975	S *	11/1996	Koizumi	D18/56
5,779,371	A	7/1998	Aoyama et al.	
D410,949	S *	6/1999	Fowkes	347/86
D542,344	S *	5/2007	Duby	347/86
7,399,130	B2	7/2008	Hirte et al.	

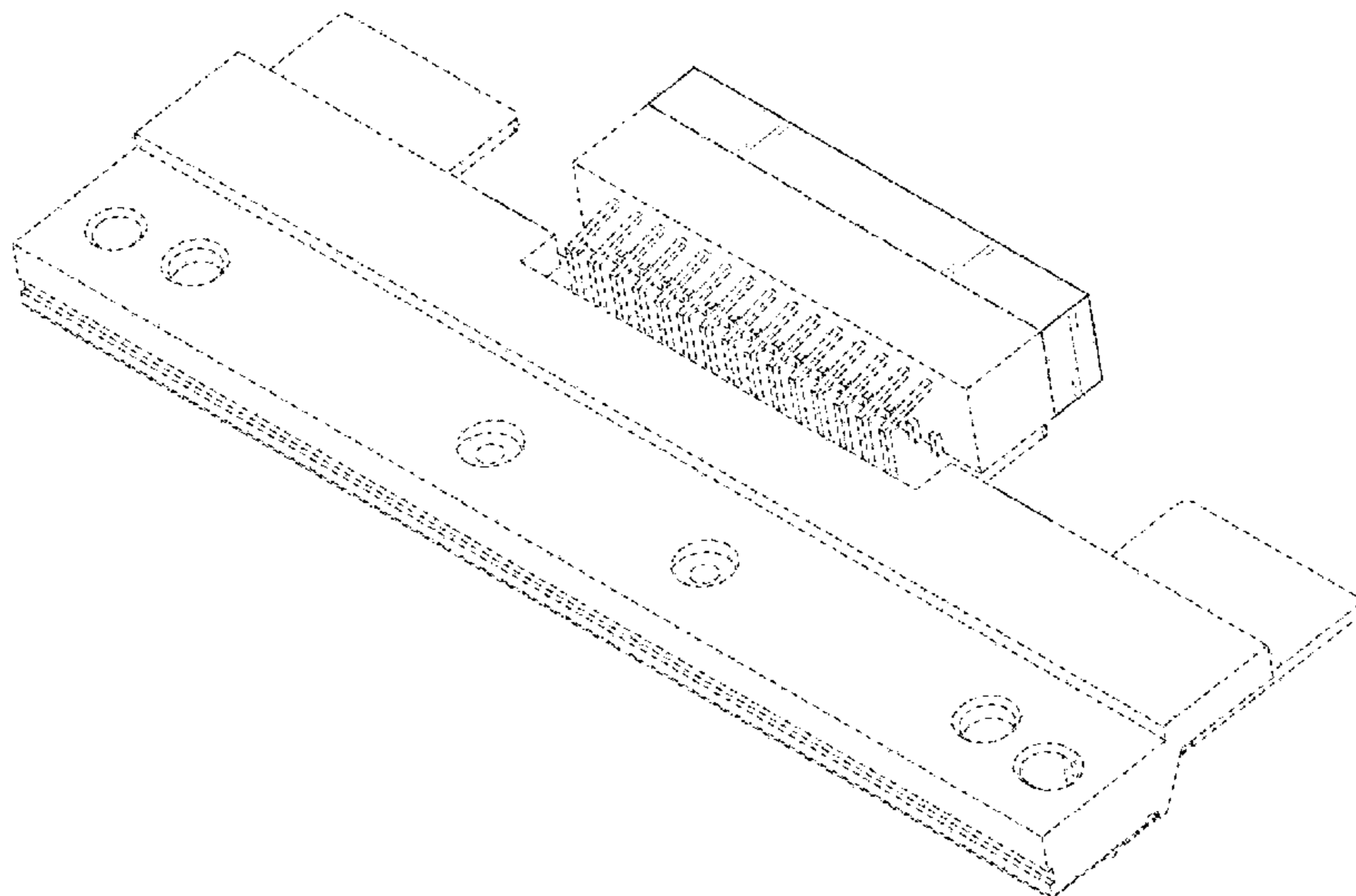
(Continued)

FOREIGN PATENT DOCUMENTS

EP	0 765 761	A1	4/1997
EP	2 641 745	A1	9/2013

(Continued)

1 Claim, 8 Drawing Sheets



(56)

References Cited

U.S. PATENT DOCUMENTS

8,068,127	B2	11/2011	Ochiai et al.	
D652,446	S *	1/2012	Brady	D18/56
D653,284	S *	1/2012	Amidon, Jr.	D18/56
8,564,633	B2	10/2013	Matsushima et al.	
8,610,752	B2	12/2013	Tsugaru	
2001/0005216	A1	6/2001	Takahashi et al.	
2002/0048479	A1	4/2002	Bryant et al.	
2003/0146968	A1	8/2003	Milton	
2008/0094463	A1	4/2008	Tsuchida et al.	
2011/0193926	A1	8/2011	Matsushima et al.	
2011/0193927	A1	8/2011	Matsushima et al.	
2012/0212562	A1	8/2012	Tsugaru	
2016/0347093	A1 *	12/2016	Ogasawara	B41J 29/17
2018/0186155	A1	7/2018	Hoshi et al.	
2019/0299679	A1 *	10/2019	Ushiyama	B41J 11/0095

FOREIGN PATENT DOCUMENTS

JP	57-088131	U	5/1982
JP	07-081179	A	3/1995
JP	07-256977	A	10/1995
JP	2989024	B2	12/1999
JP	2003-220722	A	8/2003
JP	2006-334952	A	12/2006
JP	2006-334953	A	12/2006
JP	2007-136931	A	6/2007
JP	2012-171114	A	9/2012
JP	2014-133364	A	7/2014
WO	WO-2018/051767	A1	3/2018
WO	WO-2018/051769	A1	3/2018
WO	WO-2018/051770	A1	3/2018
WO	WO-2018/051771	A1	3/2018

OTHER PUBLICATIONS

U.S. Appl. No. 15/759,061, filed Mar. 9, 2018, Kazuyuki Hoshi et al.
 U.S. Appl. No. 15/759,331, filed Mar. 12, 2018, Kazuyuki Hoshi et al.
 U.S. Appl. No. 15/759,337, filed Mar. 12, 2018, Kazuyuki Hoshi et al.
 U.S. Appl. No. 15/759,383, filed Mar. 12, 2018, Kazuyuki Hoshi et al.
 U.S. Appl. No. 15/907,089, filed Feb. 28, 2018, Kazuyuki Hoshi et al.
 U.S. Appl. No. 29/638,654, filed Feb. 28, 2018, Kazuyuki Hoshi et al.
 Google translation of JP 2007-136931, published on Jun. 2007, 5 pages.
 Human English Translation of JP 2006-334952, 39 pages.
 Machine-generated translation of JP 2006-334952, published on Dec. 2006, 17 pages.
 USPTO Notice of Allowance, U.S. Appl. No. 15/759,061, dated Jan. 24, 2019, 15 pages.
 USPTO Notice of Allowance, U.S. Appl. No. 15/759,331 dated Jan. 31, 2019, 13 pages.
 USPTO Office Action, U.S. Appl. No. 15/759,337, dated Apr. 10, 2019, 11 pages.
 USPTO Office Action, U.S. Appl. No. 15/759,383, dated Apr. 12, 2019, 12 pages.
 USPTO Notice of Allowance, U.S. Appl. No. 15/759,331, dated May 8, 2019, 21 pages.
 USPTO Office Action, U.S. Appl. No. 15/759,061, dated May 7, 2019, 14 pages.
 USPTO Notice of Allowance, U.S. Appl. No. 15/759,337, dated Jul. 15, 2019, 9 pages.

USPTO Office Action, U.S. Appl. No. 15/759,383, dated Jul. 23, 2019, 12 pages.
 USPTO Office Action, U.S. Appl. No. 15/907,890, dated Aug. 7, 2019, 16 pages.
 European Search Report, Application No. 17850671.3, dated Jul. 30, 2019, 11 pages.
 European Search Report, Application No. 17850673.9, dated Jul. 9, 2019, 8 pages.
 European Search Report, Application No. 17850674.7, dated Jul. 30, 2019, 8 pages.
 European Search Report, Application No. 17850675.4, dated Jul. 16, 2019, 9 pages.
 USPTO Notice of Allowance, U.S. Appl. No. 15/759,061, dated Nov. 13, 2019, 13 pages.
 USPTO Notice of Allowance, U.S. Appl. No. 15/759,383 dated Dec. 3, 2019, 9 pages.
 U.S. Appl. No. 16/607,427, filed Oct. 23, 2019, Sato Holdings Kabushiki Kaisha.
 Chinese Office Action, Application No. 201780045890.X, dated Jan. 2, 2020, 7 pages.
 Chinese Office Action, Application No. 201780045900.X, dated Jan. 2, 2020, 7 pages.
 Chinese Office Action, Application No. 201780045904.8, dated Dec. 26, 2019, 6 pages.
 Google translation of JP 2006-334953, published on Dec. 2006. (Year: 2006).
 Notice of Allowance, U.S. Appl. No. 15/759,061, dated Jan. 15, 2020, 12 pages.
 USPTO Office Action, U.S. Appl. No. 15/759,383, dated Jan. 13, 2020, 6 pages.
 European Office Action, Application No. 17 850 671.3, dated Mar. 18, 2020, 6 pages.
 European Office Action, Application No. 17 850 674.7, dated Mar. 18, 2020, 5 pages.
 Chinese Office Action and English translation, Application No. 201780055650.8, dated Mar. 3, 2020, 13 pages.
 Notice of Allowance, U.S. Appl. No. 15/907,890, dated Aug. 11, 2020, 14 pages.
 USPTO Office Action, U.S. Appl. No. 16/607,427, dated Aug. 7, 2020, 18 pages.
 USPTO Office Action, U.S. Appl. No. 29/638,654, dated Aug. 6, 2020, (US 2018/0186155, US 20020163204, U.S. Pat. Nos. D. 621,060, D. 280,109, D. 846,955, D. 434,909, D. 433,237, D. 875,056, D. 843,334, D. 798,822, D. 757,666, D. 753,073, D. 733,056, D. 465,772, How to install a PCI or PCI-Express expansion card, by lowendguru, dated Aug. 5, 2014, youtube.com [online]. Retrieved Aug. 2, 2020 from internet (Year: 2014), <URL:https://www.youtube.com/watch?time_continue=22&v=p9pTv1 S5gsw&feature=emb_logo>, HP300312A-G02 16pins SHEC C56 Thermal Head for Taico Printer, dated Dec. 16, 2017, printhead-barcode.com [online]. Retrieved Aug. 2, 2020 from internet <URL:http://www.primthead-barcode.com/index.php?main_page=product_info&products_id=2965> (Year: 2017)).
 U.S. Appl. No. 29/731,950, filed Apr. 20, 2020, Hoshi et al.
 U.S. Appl. No. 29/735,163, filed May 19, 2020, Hoshi et al.
 Notice of Allowance, U.S. Appl. No. 15/759,383, dated May 5, 2020, 9 pages.
 Japanese Office Action and English Translation, Application No. 2018-539603, Oct. 27, 2020, 10 pages.
 Japanese Office Action and English Translation, Application No. 2018-539605, Nov. 4, 2020, 6 pages.
 Japanese Office Action and English Translation, Application No. 2018-539606, Oct. 20, 2020, 6 pages.
 Japanese Office Action and English Translation, Application No. 2018-539607, Nov. 4, 2020, 4 pages.
 USPTO Notice of Allowance, U.S. Appl. No. 16/607,427, Nov. 25, 2020, 11 pages.

* cited by examiner

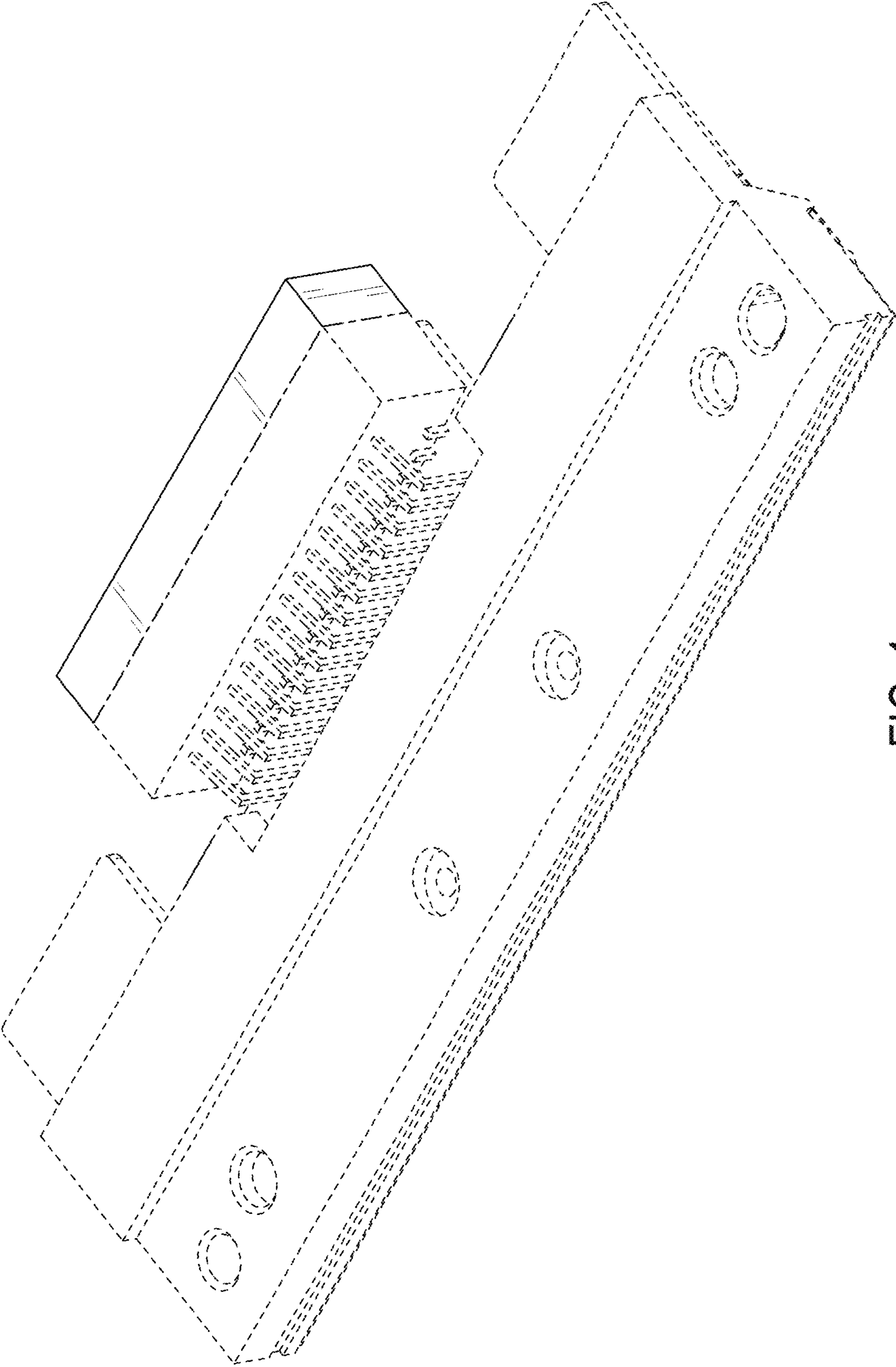


FIG. 1

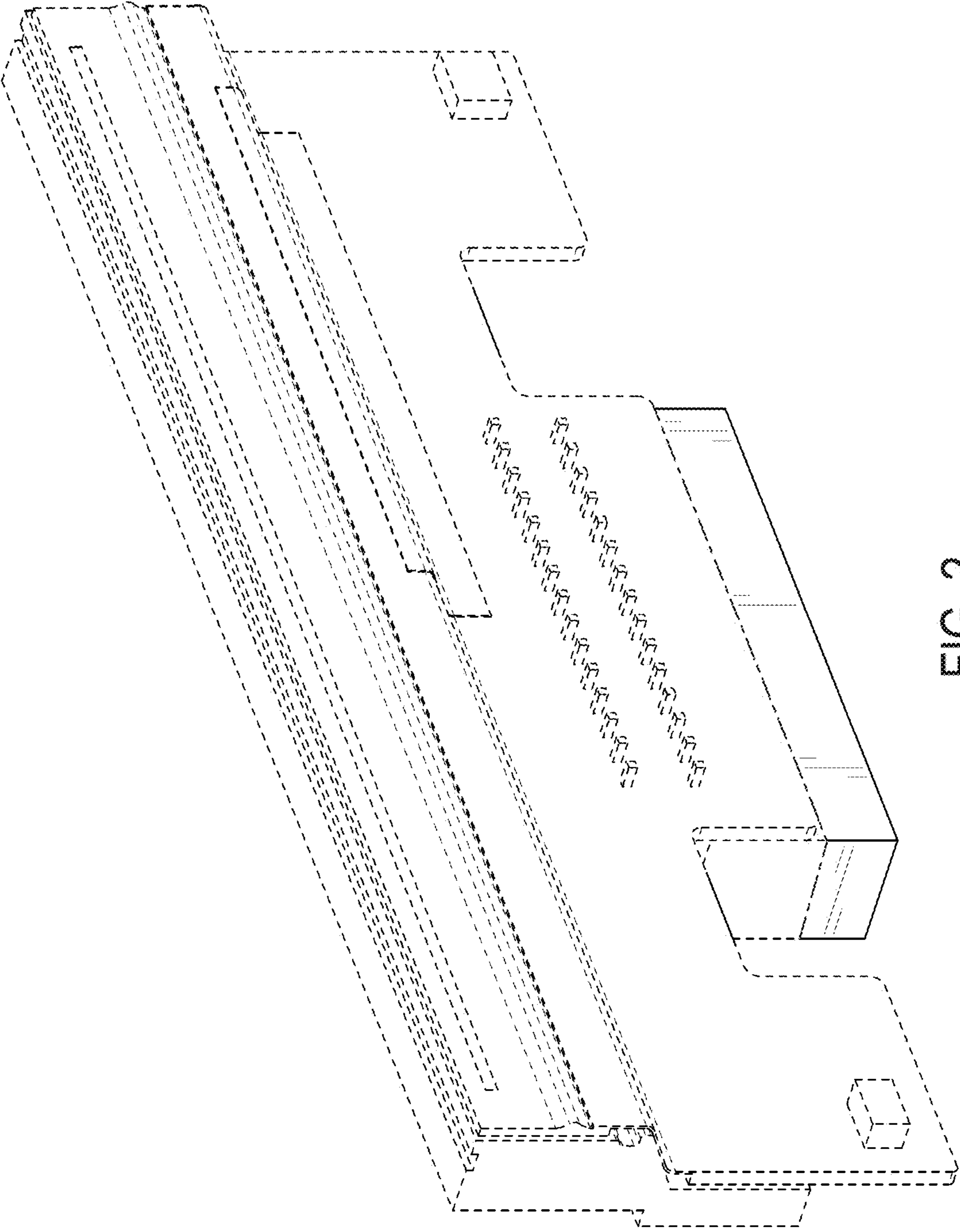


FIG. 2

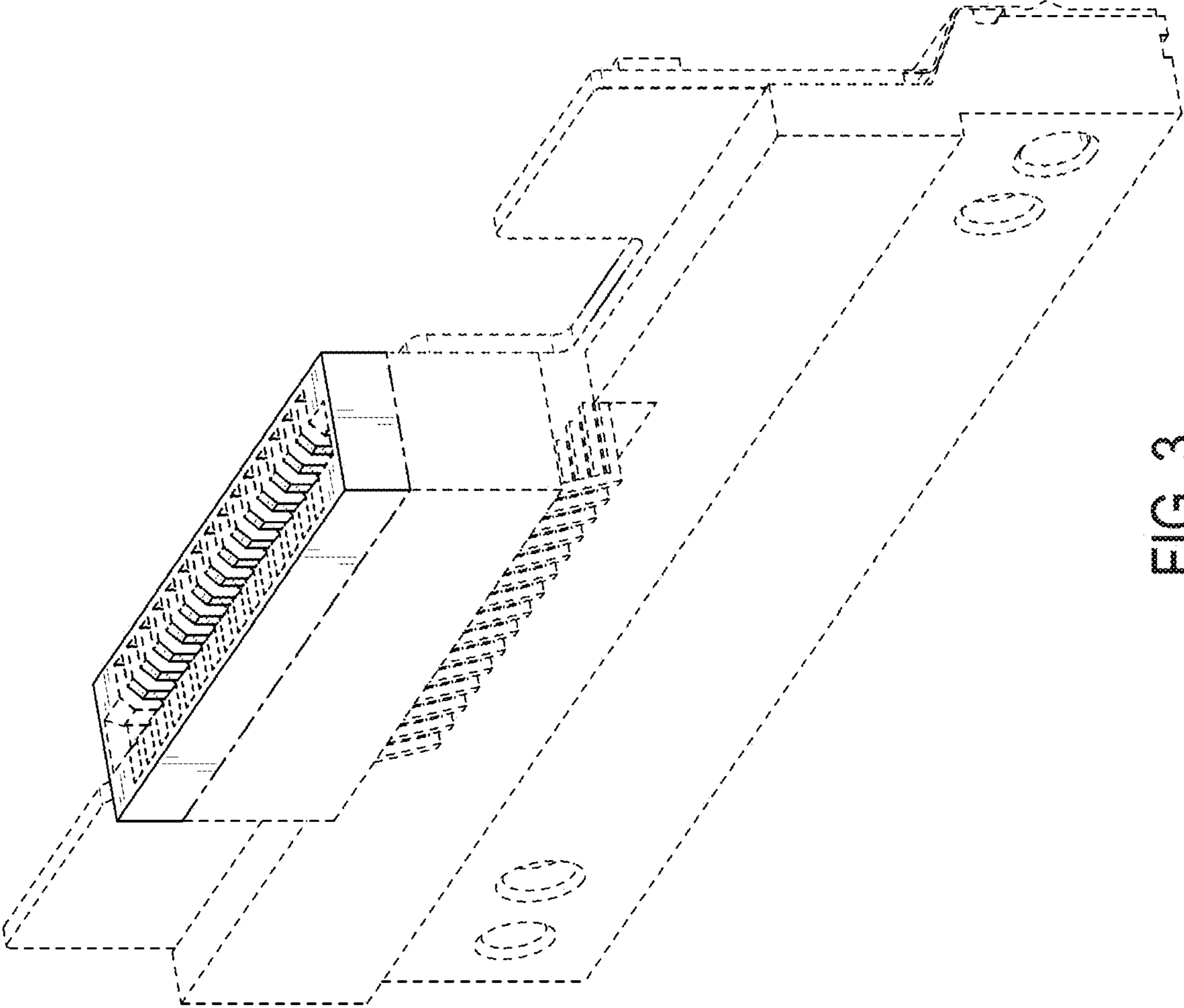


FIG. 3

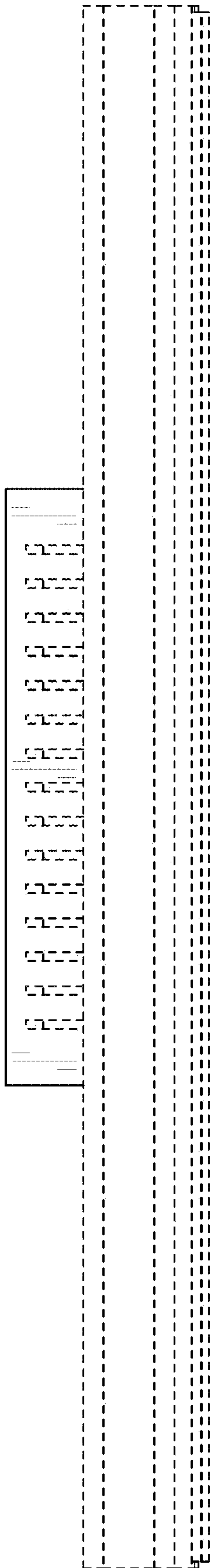


FIG. 4

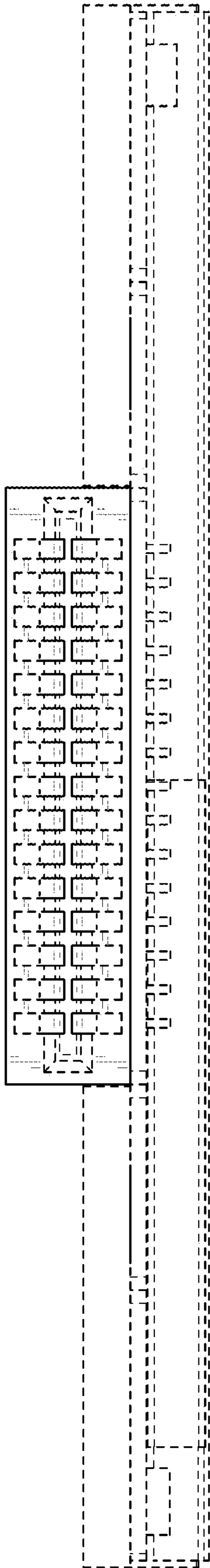


FIG. 5

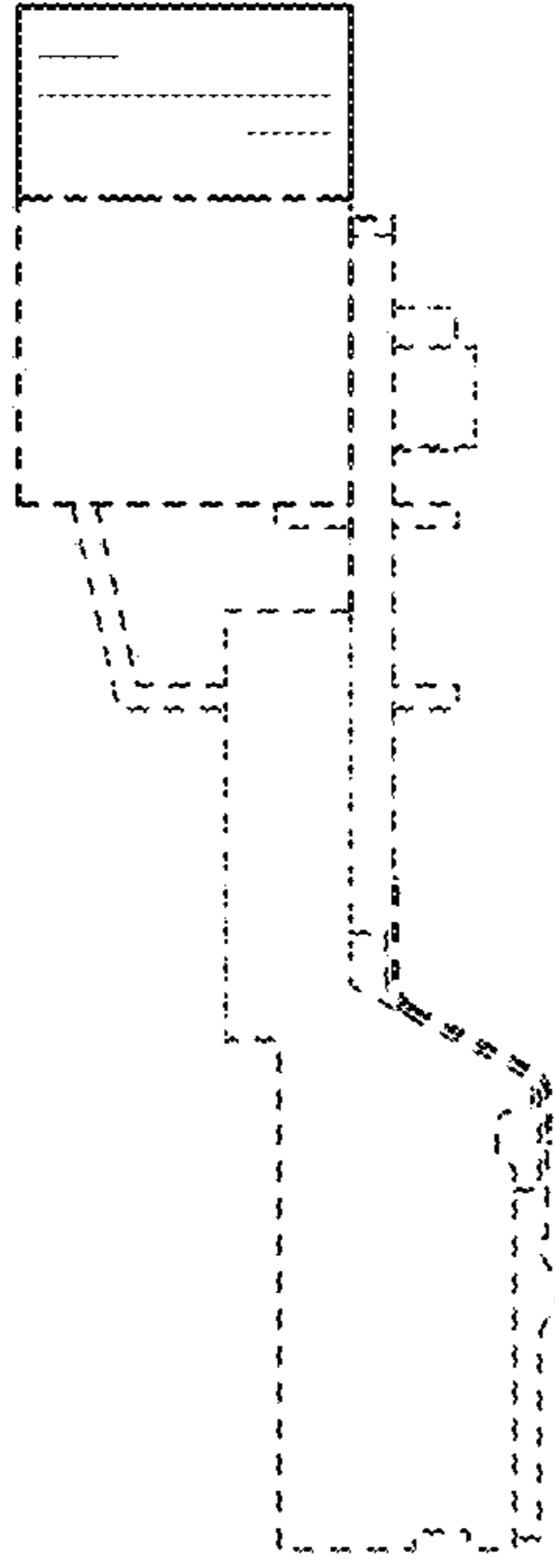


FIG. 6

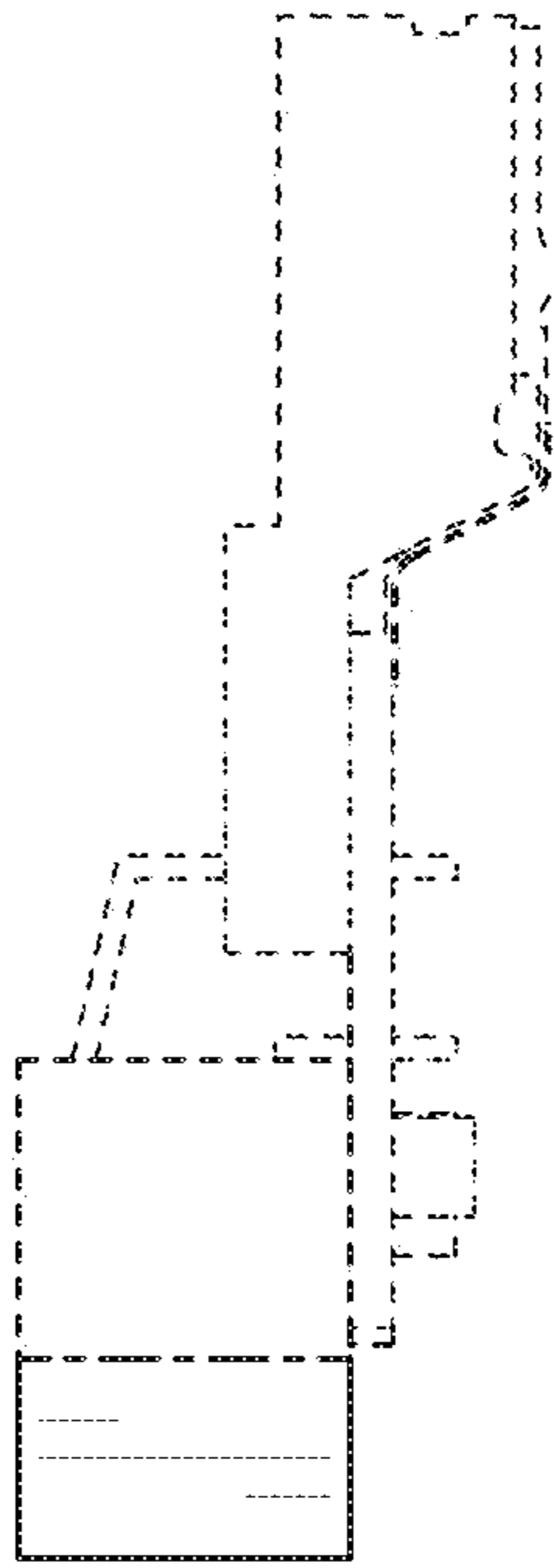


FIG. 7

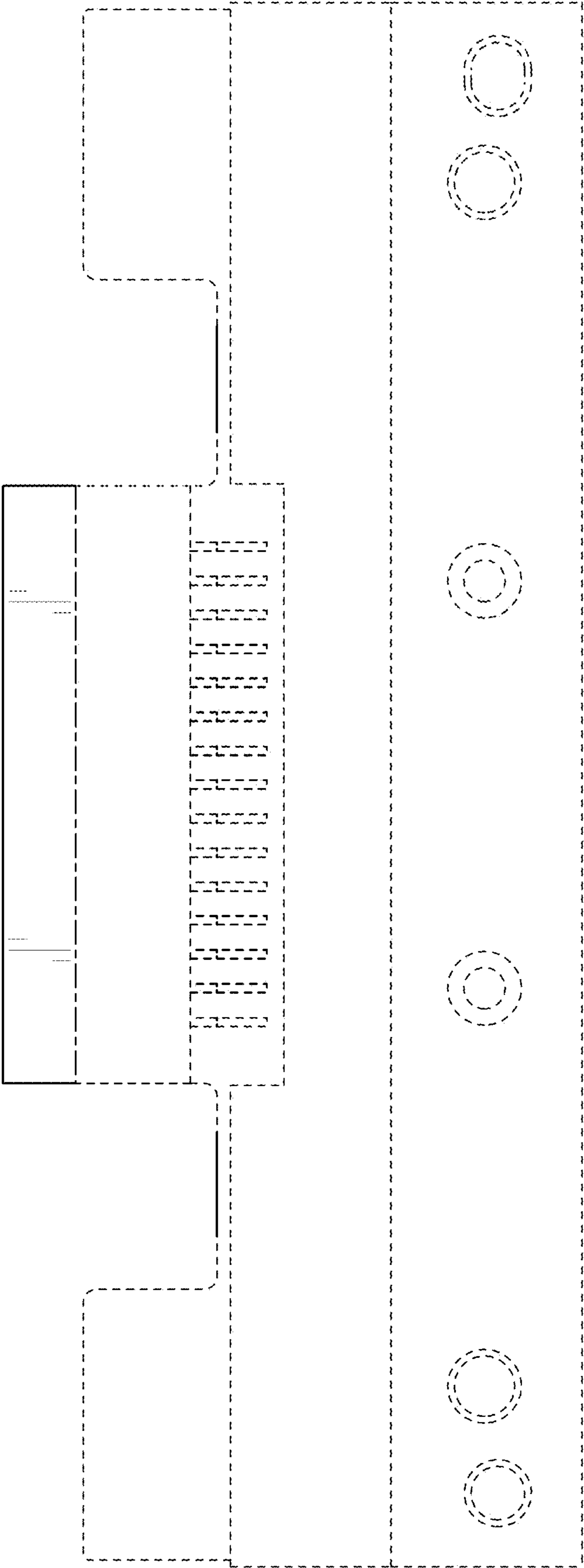


FIG. 8

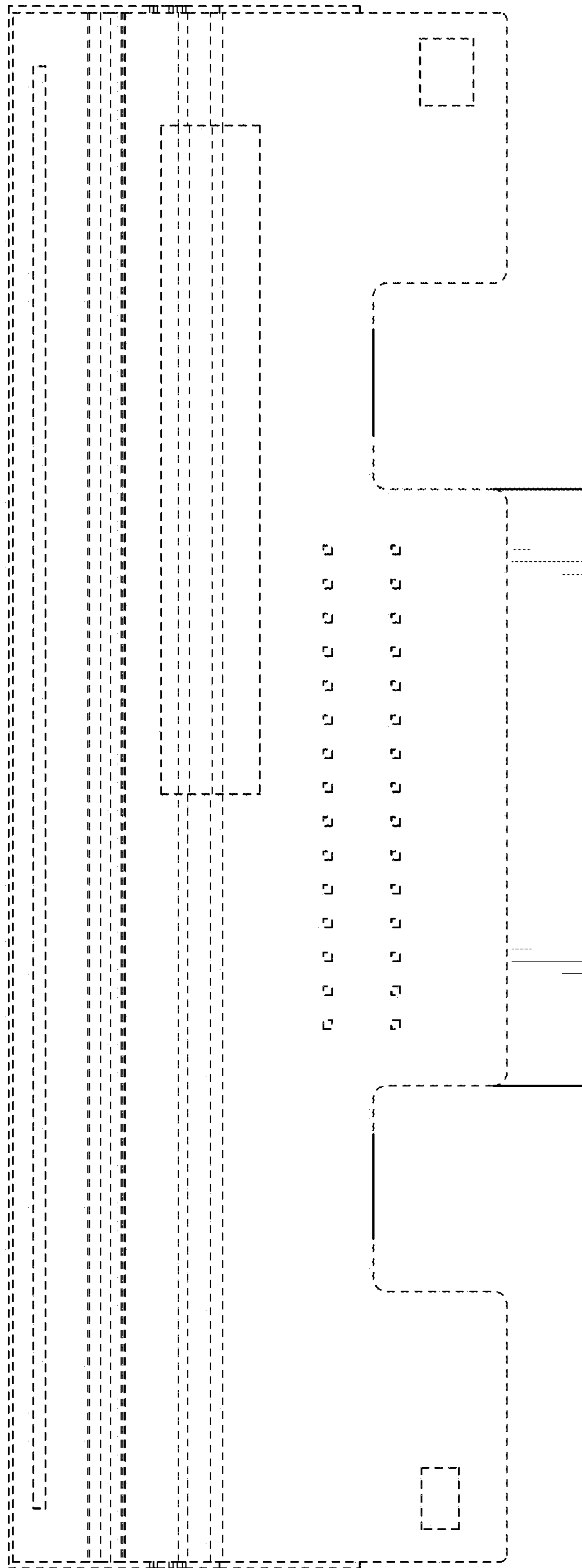


FIG. 9