



US00D910743S

(12) **United States Design Patent**
Fujii et al.

(10) **Patent No.:** **US D910,743 S**

(45) **Date of Patent:** **** Feb. 16, 2021**

(54) **IMAGE DRUM CARTRIDGE**

(71) Applicant: **OKI DATA CORPORATION**, Tokyo (JP)

(72) Inventors: **Masashi Fujii**, Tokyo (JP); **Tatsuhiko Shimomura**, Tokyo (JP); **Junichi Ushikubo**, Tokyo (JP); **Shun Hatanaka**, Tokyo (JP)

(73) Assignee: **OKI DATA CORPORATION**, Tokyo (JP)

(**) Term: **15 Years**

(21) Appl. No.: **29/664,862**

(22) Filed: **Sep. 28, 2018**

(30) **Foreign Application Priority Data**

Mar. 30, 2018 (JP) 2018-007167

(51) **LOC (13) Cl.** **16-03**

(52) **U.S. Cl.**
USPC **D18/43**

(58) **Field of Classification Search**
USPC D18/40, 43, 56, 58; D14/462, 471
CPC . B41J 2/17503; G03G 21/16; G03G 21/1814;
G03G 15/00; G03G 15/0142; G03G
2221/1823

See application file for complete search history.

(56) **References Cited**

U.S. PATENT DOCUMENTS

D374,250 S * 10/1996 Yabuki D18/40
D471,583 S * 3/2003 Okabe D18/40

D476,360 S * 6/2003 Kawamura 347/86
D523,896 S * 6/2006 Ishii D18/43
D579,970 S * 11/2008 Kamimura D18/40
D728,012 S * 4/2015 Yoshii D18/43
D845,384 S * 4/2019 Oguma D18/43
2017/0329277 A1 * 11/2017 Ushikubo G03G 15/0875
2018/0203408 A1 * 7/2018 Itabashi G03G 15/0865
2019/0294078 A1 * 9/2019 Fujii G03G 15/0886
2019/0391529 A1 * 12/2019 Abe G03G 21/1867
2020/0089158 A1 * 3/2020 Shimizu G03G 21/1814

* cited by examiner

Primary Examiner — Kevin K Rudzinski

Assistant Examiner — J. Thorn, Sr.

(74) *Attorney, Agent, or Firm* — Ladas & Parry LLP

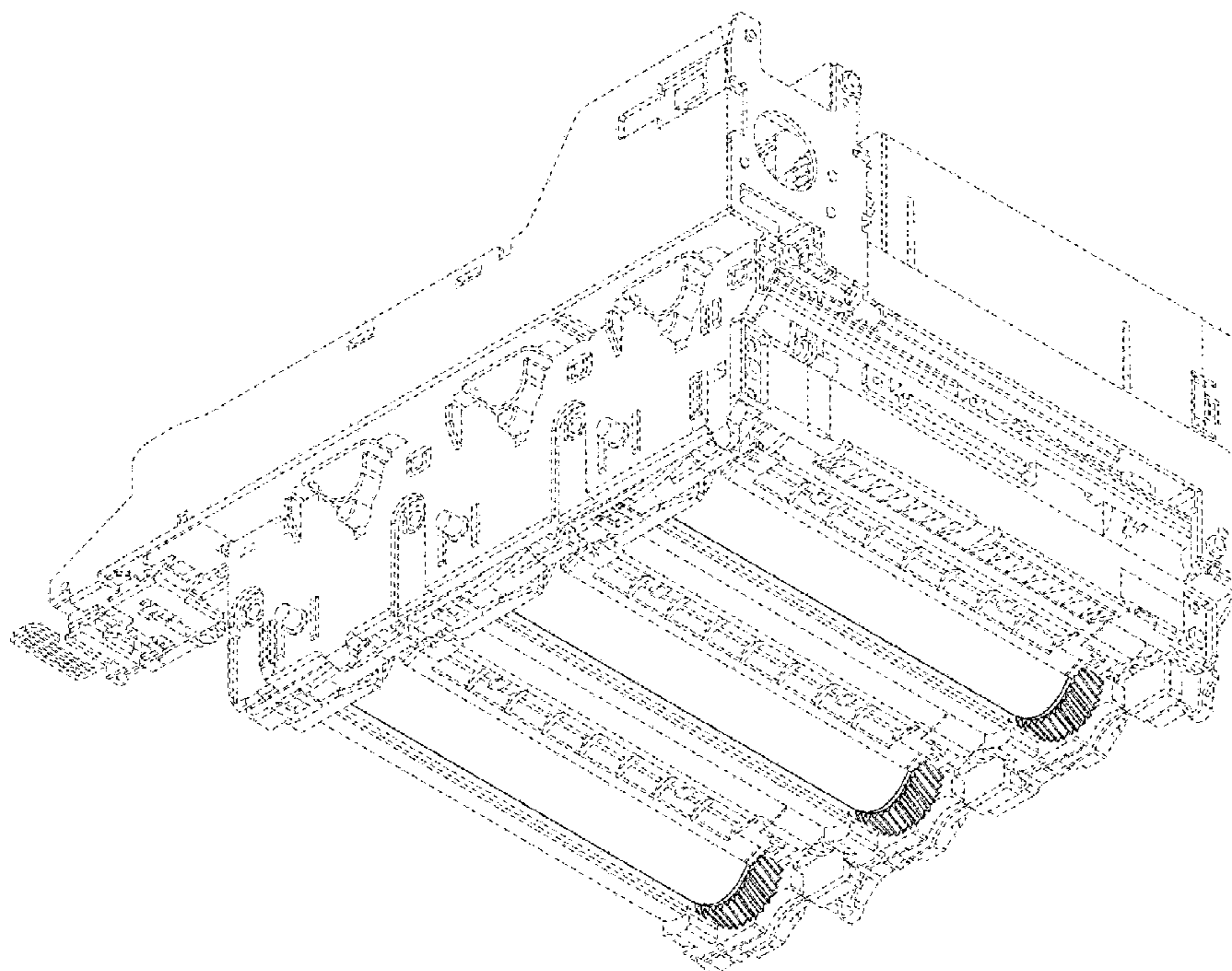
(57) **CLAIM**

We claim the ornamental design for an image drum cartridge, as shown and described.

DESCRIPTION

FIG. 1 is a front elevational view of an image drum cartridge showing our new design;
FIG. 2 is a rear elevational view thereof;
FIG. 3 is a right-side elevational view thereof;
FIG. 4 is a left-side elevational view thereof;
FIG. 5 is a top plan view thereof;
FIG. 6 is a bottom plan view thereof;
FIG. 7 is a front perspective view thereof; and,
FIG. 8 is a rear perspective view thereof.
The broken lines in the drawings depict portions of the image drum cartridge that form no part of the claimed design.

1 Claim, 8 Drawing Sheets



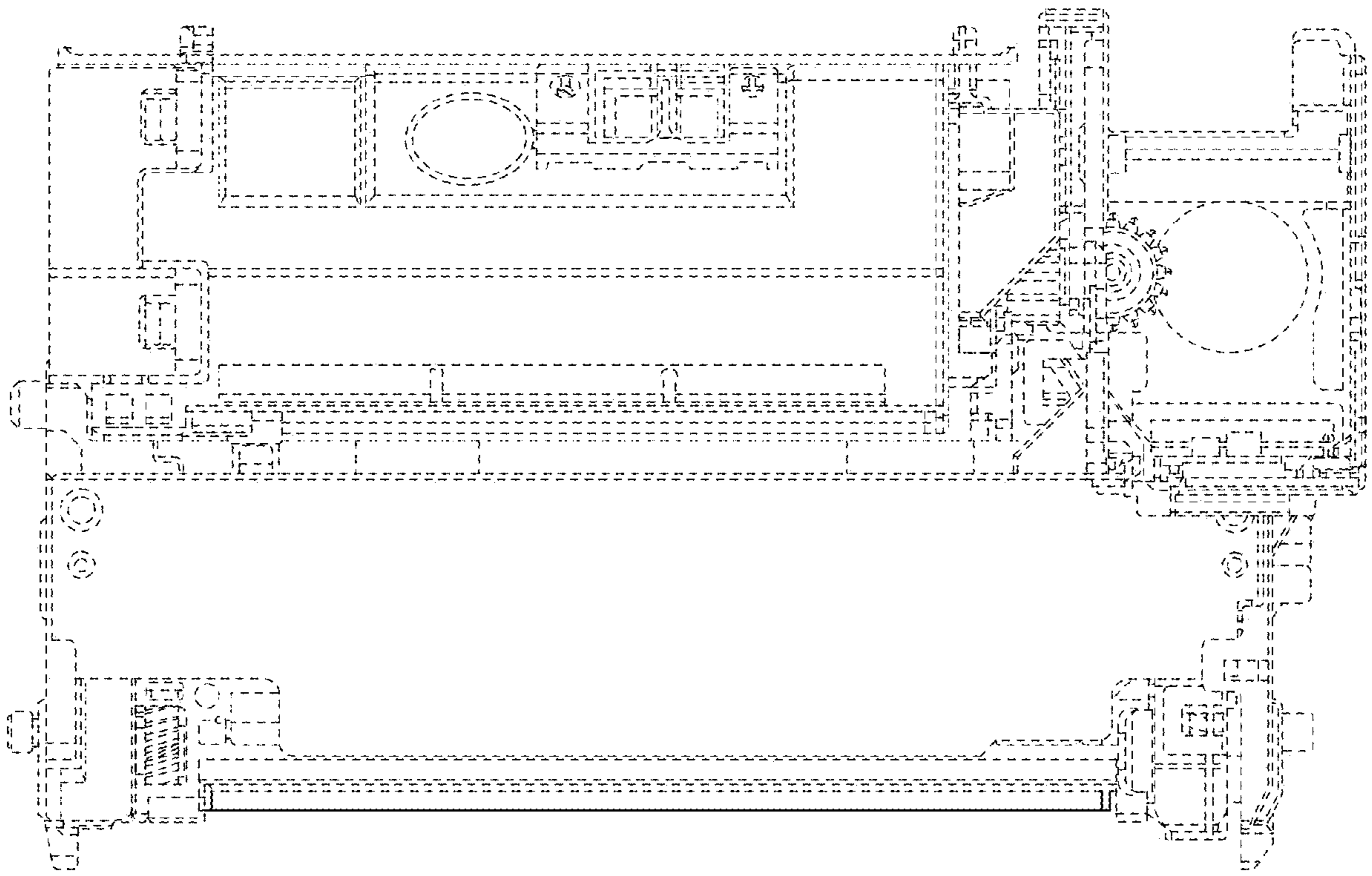


FIG. 1

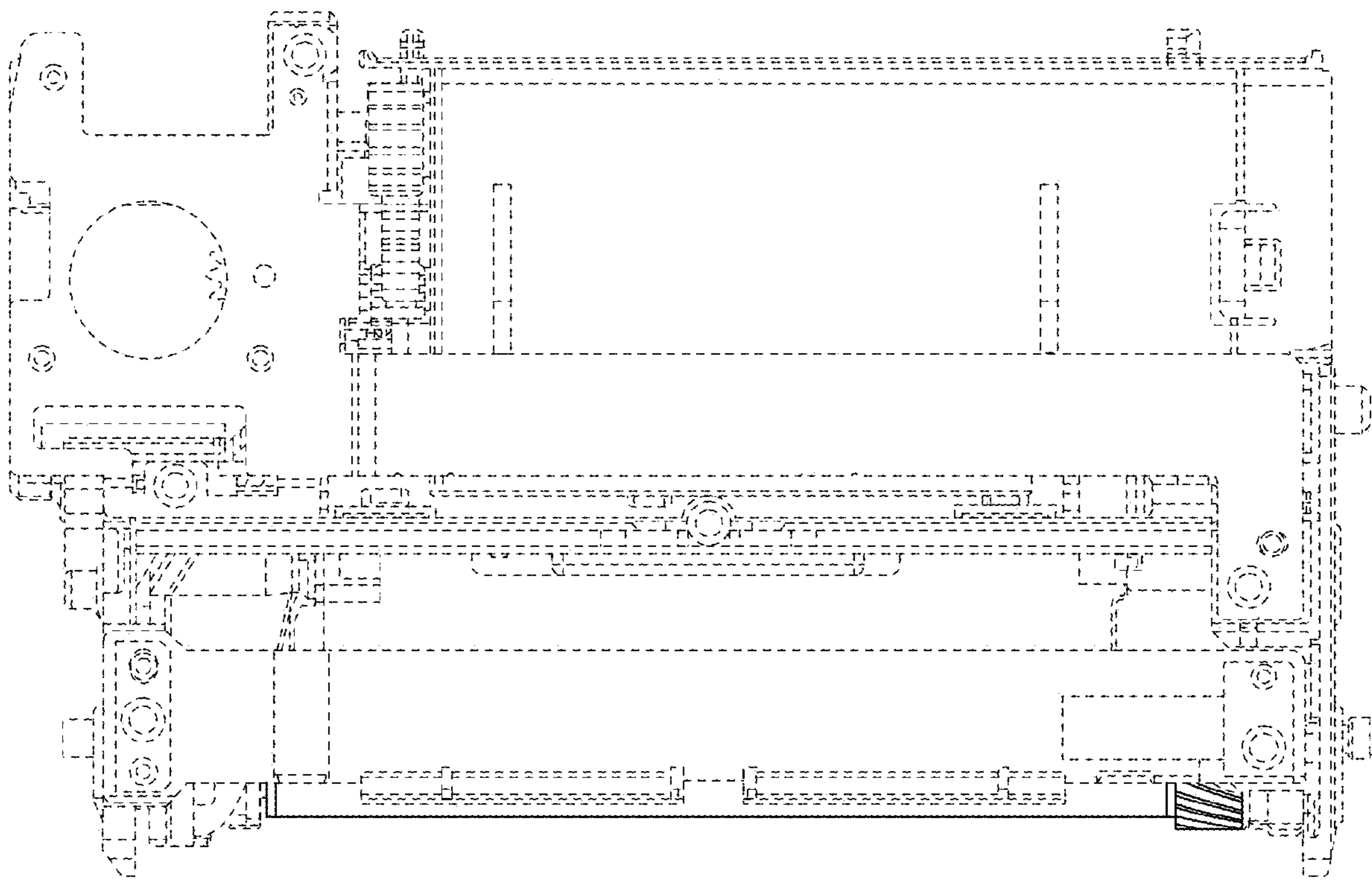


FIG. 2

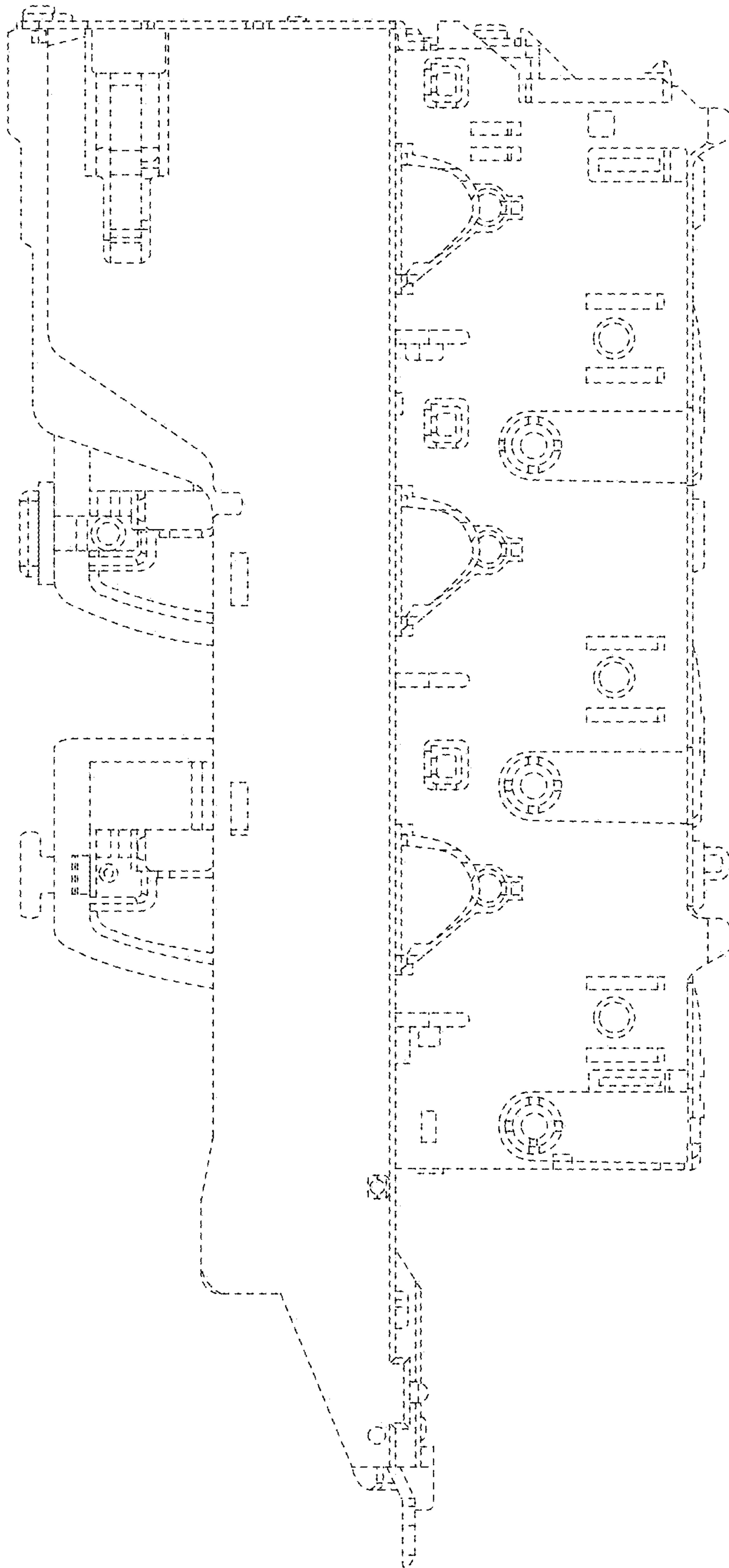


FIG. 3

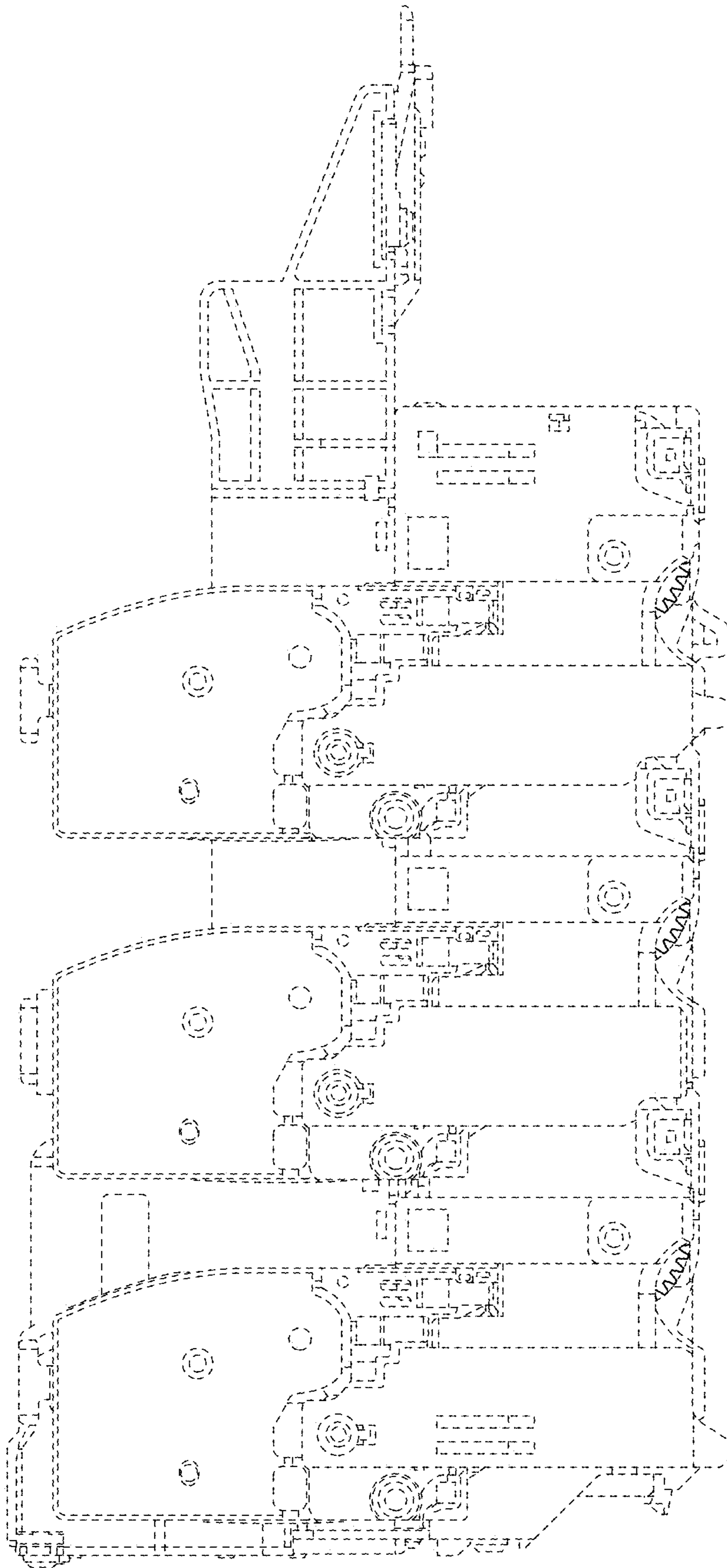


FIG. 4

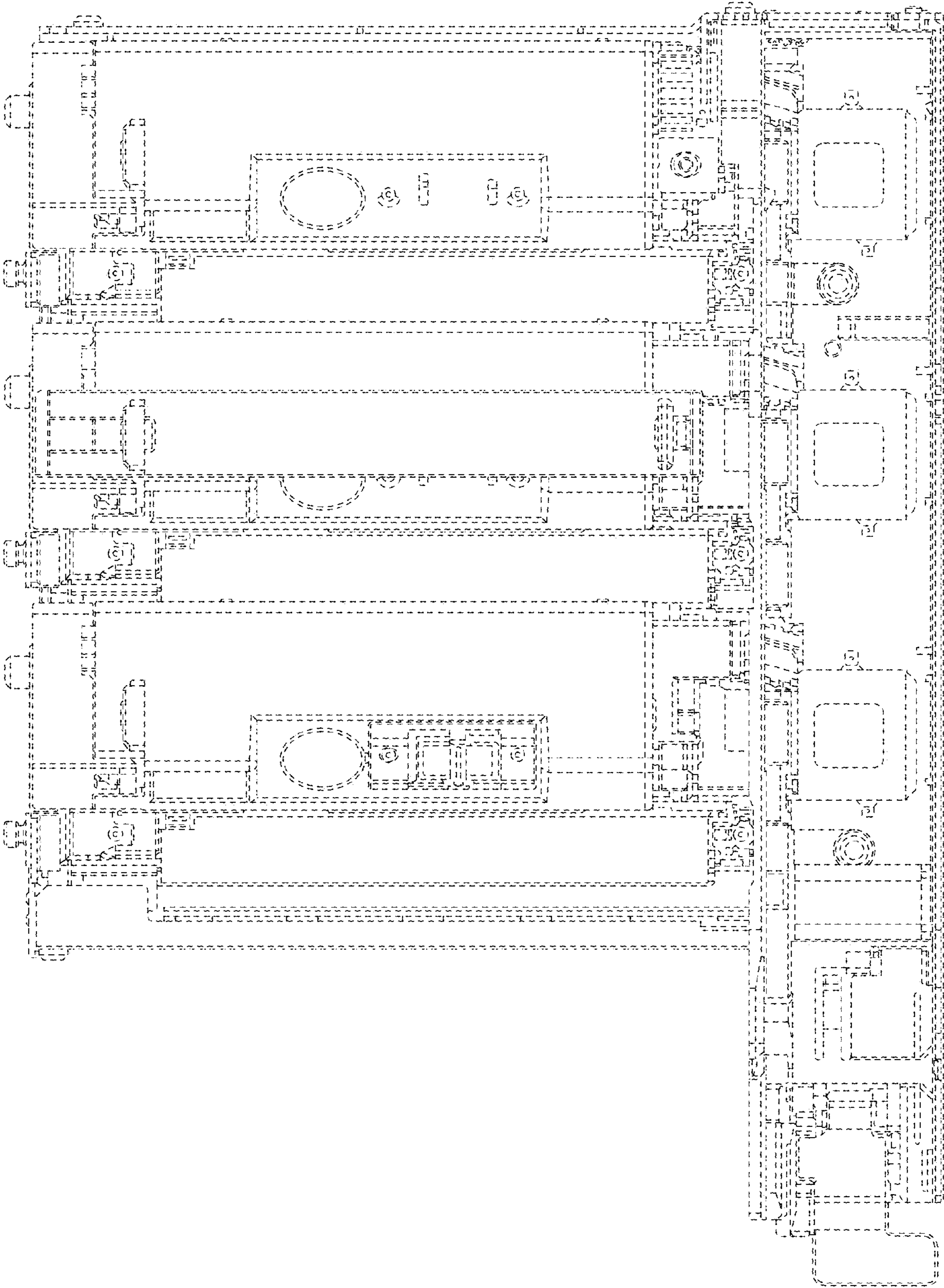


FIG. 5

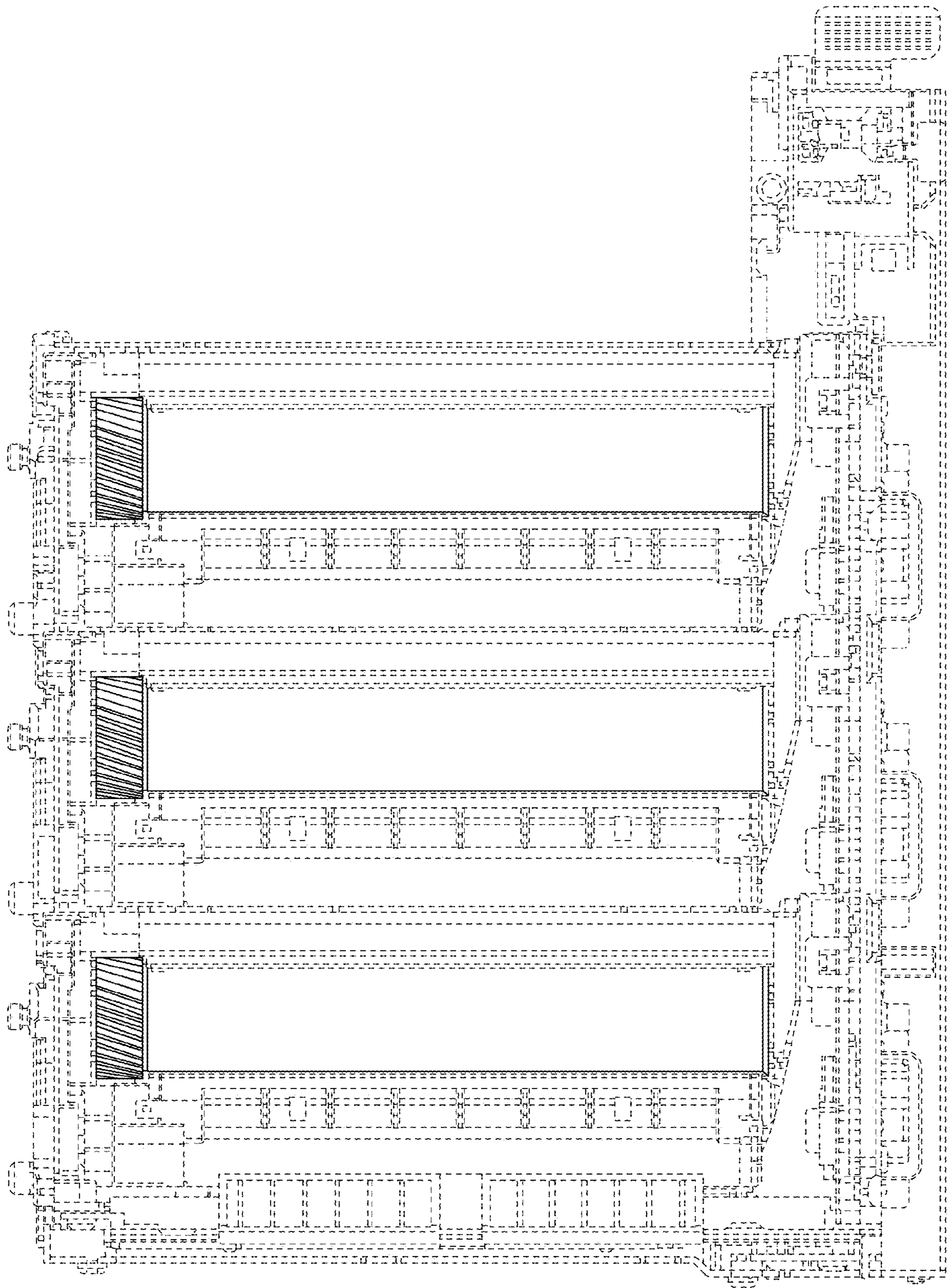


FIG. 6

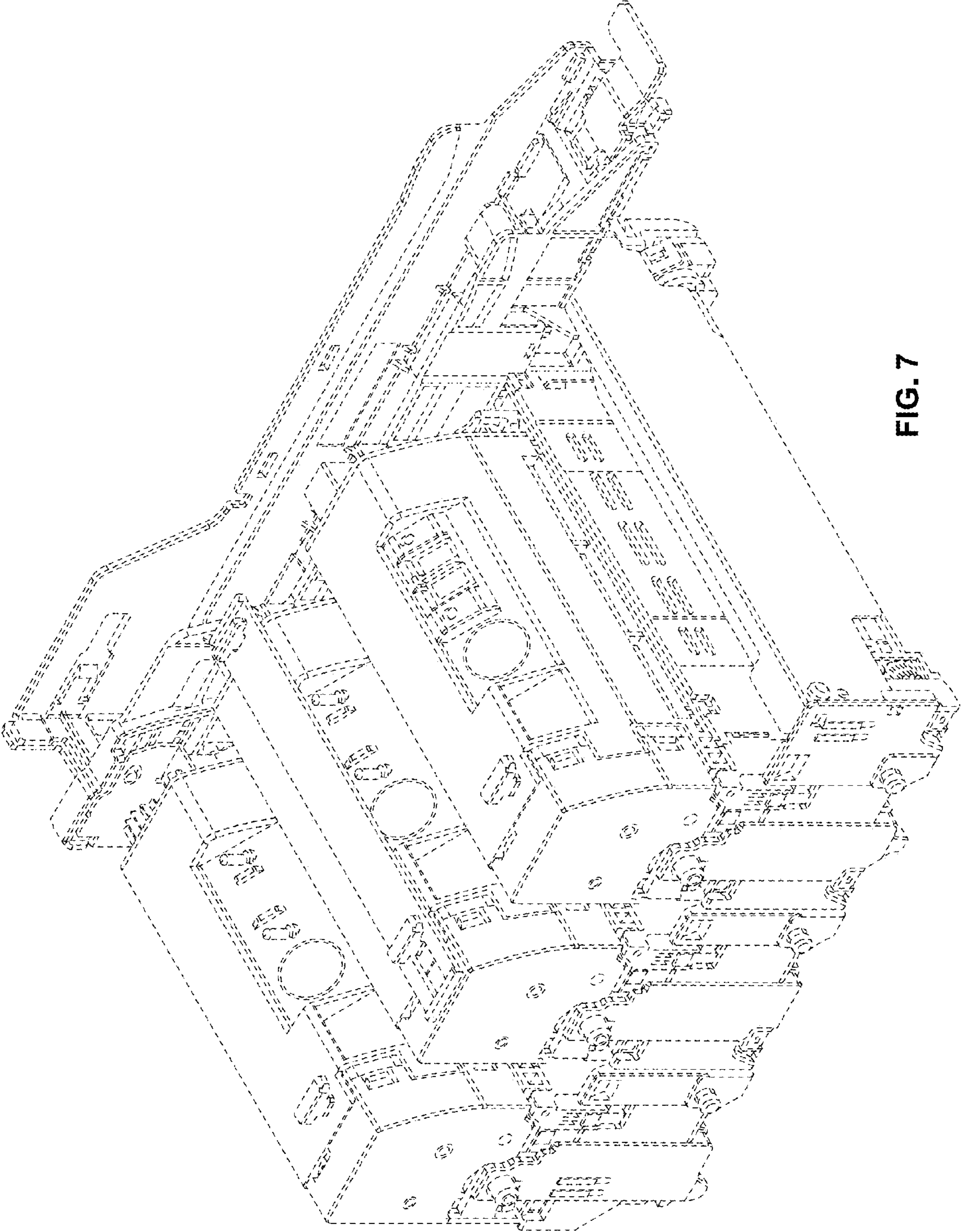


FIG. 7

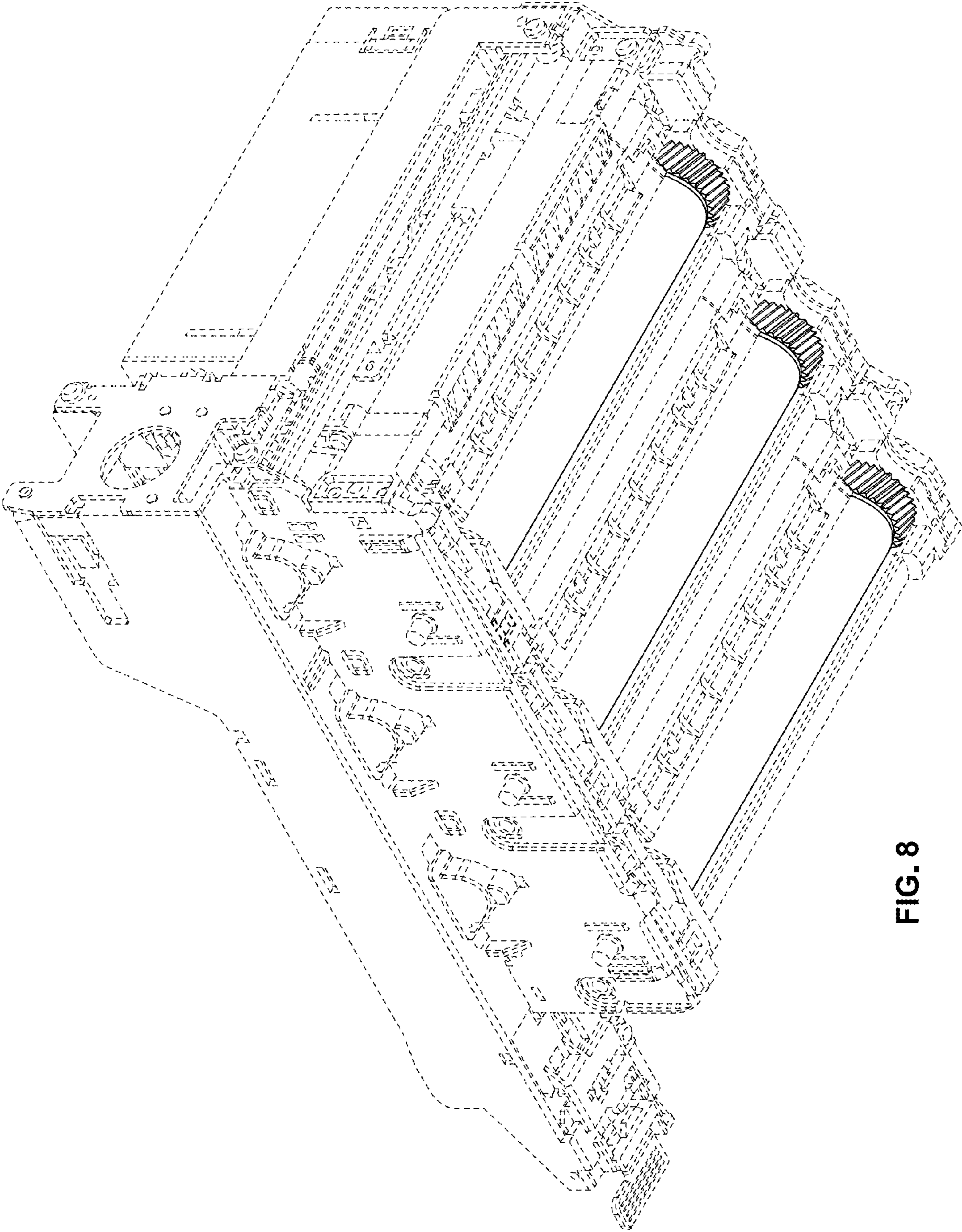


FIG. 8