



US00D910738S

(12) **United States Design Patent** (10) **Patent No.:** **US D910,738 S**  
**Levin et al.** (45) **Date of Patent:** **\*\* Feb. 16, 2021**

(54) **CORNERGRID SYSTEM**  
(71) Applicant: **Lucasfilm Entertainment Company Ltd. LLC**, San Francisco, CA (US)  
(72) Inventors: **John M. Levin**, Mill Valley, CA (US); **Leandro F. Estebecorena**, San Rafael, CA (US); **Paige Warner**, San Francisco, CA (US)

D737,362 S \* 8/2015 Chang ..... D16/237  
D751,627 S \* 3/2016 Warner ..... D16/250  
D842,688 S \* 3/2019 Hart ..... D9/415  
D870,186 S \* 12/2019 Scagnelli ..... D16/237  
D878,932 S \* 3/2020 Holley, Jr. .... D9/753  
2015/0288951 A1\* 10/2015 Mallet ..... H04N 17/002  
348/46  
2015/0288956 A1\* 10/2015 Mallet ..... G01B 21/042  
348/188

(73) Assignee: **Lucasfilm Entertainment Company Ltd. LLC**, San Francisco, CA (US)  
(\*\*) Term: **15 Years**

(21) Appl. No.: **29/686,170**  
(22) Filed: **Apr. 2, 2019**  
(51) **LOC (13) Cl.** ..... **16-05**  
(52) **U.S. Cl.**  
USPC ..... **D16/237**  
(58) **Field of Classification Search**  
USPC ..... D16/219, 237-250; D8/354, 355, 363, D8/373, 382-383, 394-396; D14/224, D14/229, 238, 251, 253, 447, 451, 457  
CPC ..... F16M 11/06-10; F16M 11/14; G02B 7/00-002; G03B 17/56; G03B 17/561-566; H04N 5/2253-2254  
See application file for complete search history.

(56) **References Cited**  
U.S. PATENT DOCUMENTS

4,529,091 A \* 7/1985 Martin ..... B65D 81/056  
206/453  
6,375,239 B1 \* 4/2002 Reed ..... B65D 5/4208  
229/117.23  
D520,868 S \* 5/2006 Tada ..... D9/415  
D607,915 S \* 1/2010 Fong ..... D16/237  
D618,995 S \* 7/2010 Lavelle ..... D8/403  
D649,929 S \* 12/2011 Hafter ..... D13/102

**OTHER PUBLICATIONS**

Camera Calibration. [online] Published Sep. 18, 2020 from URL: <https://colorscience.wordpress.com/2010/09/18/8-camera-calibration/>.\*

\* cited by examiner

*Primary Examiner* — Vy N Koenig

(74) *Attorney, Agent, or Firm* — Sheppard Mullin Richter & Hampton LLP

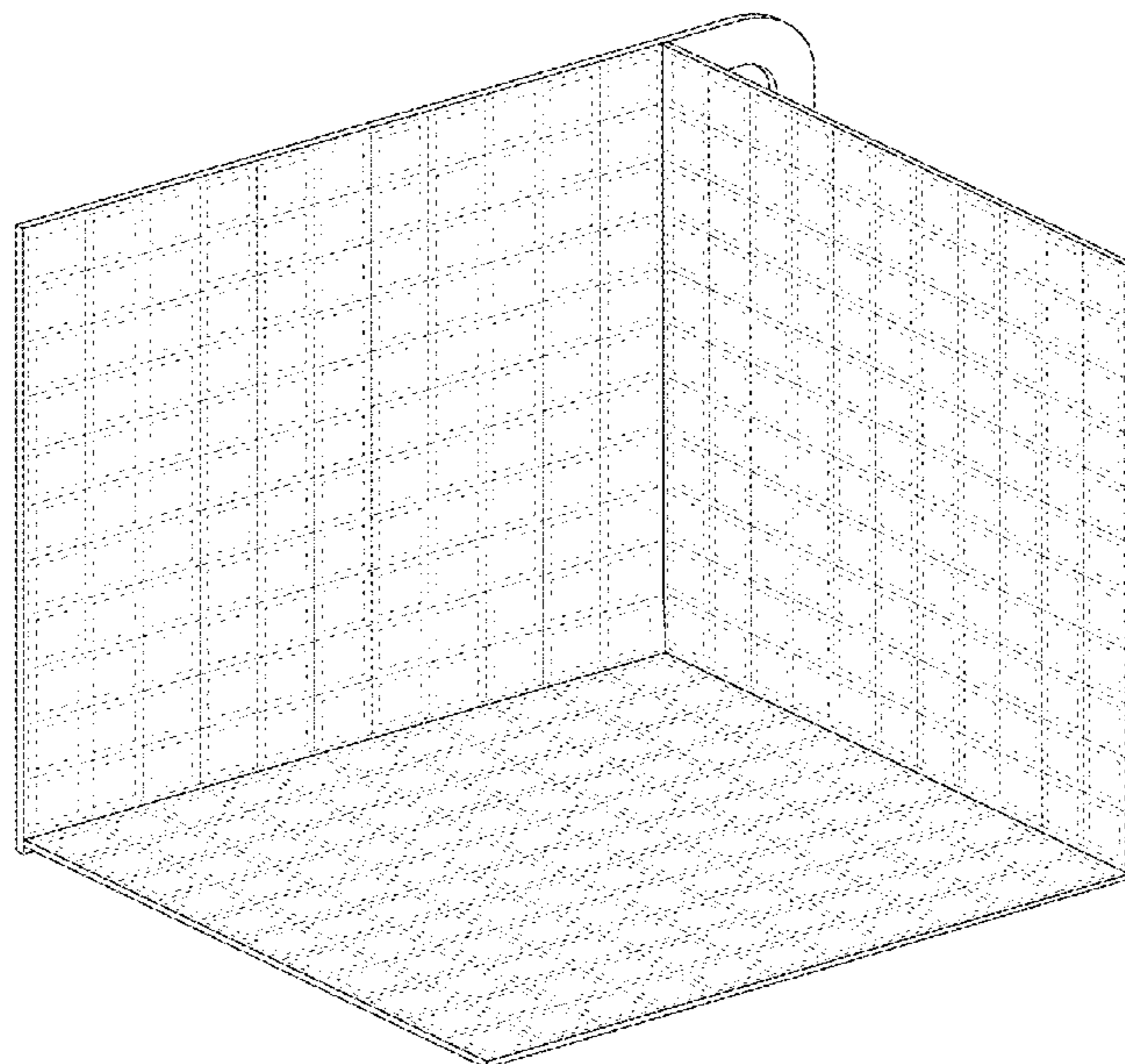
(57) **CLAIM**

We claim the ornamental design for a cornergrid system, as shown and described.

**DESCRIPTION**

FIG. 1 is a top, front and right side perspective view of a cornergrid system showing our new design; FIG. 2 is a right side elevational view thereof; FIG. 3 is a left side elevational view thereof; FIG. 4 is a front side elevational view thereof; FIG. 5 is a rear side elevational view thereof; FIG. 6 is a top plan view thereof; and, FIG. 7 is a bottom plan view thereof. The broken line showings of the cornergrid system in the figures depict environmental subject matter and form no part of the claimed design.

**1 Claim, 7 Drawing Sheets**



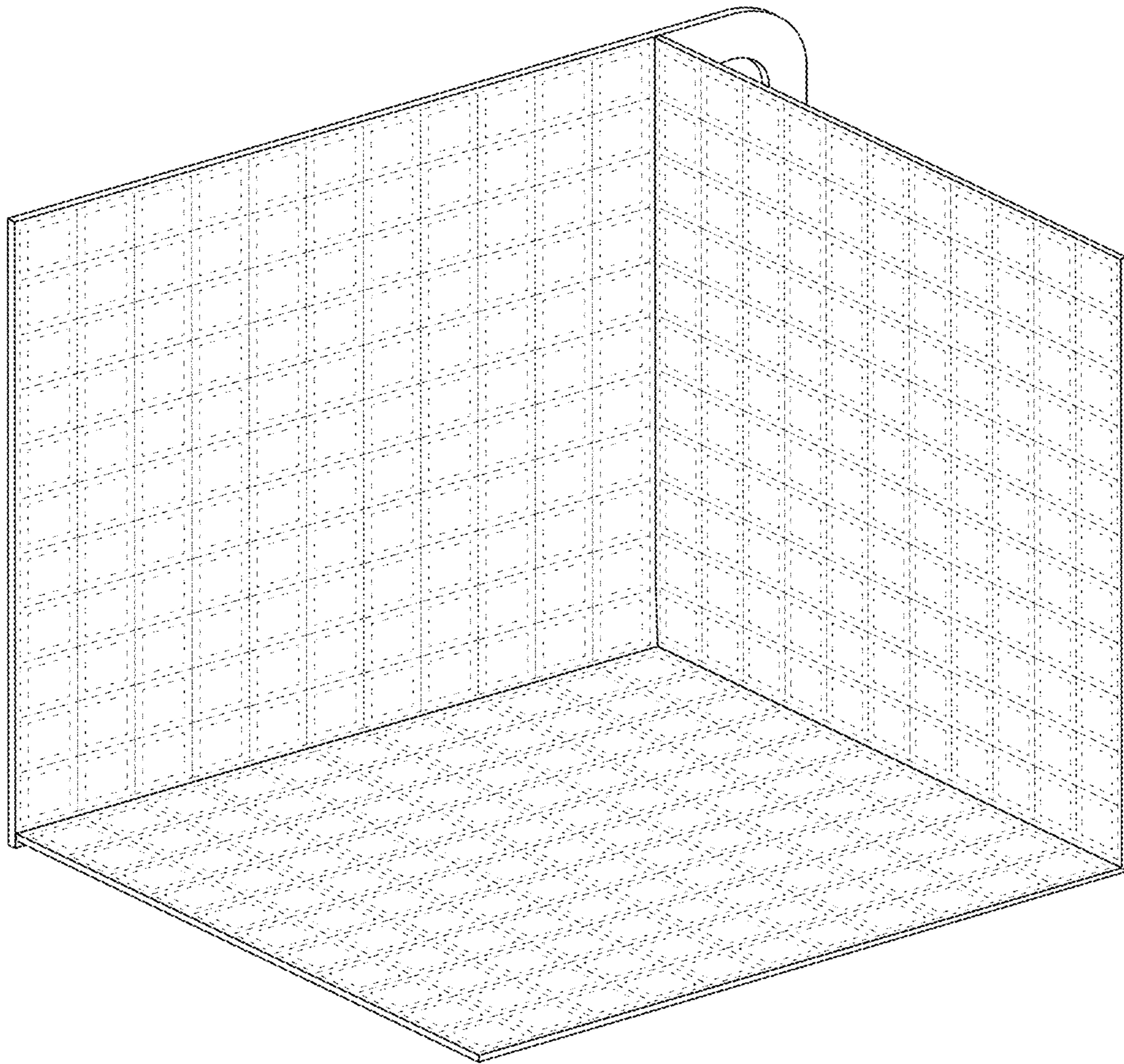


FIG. 1

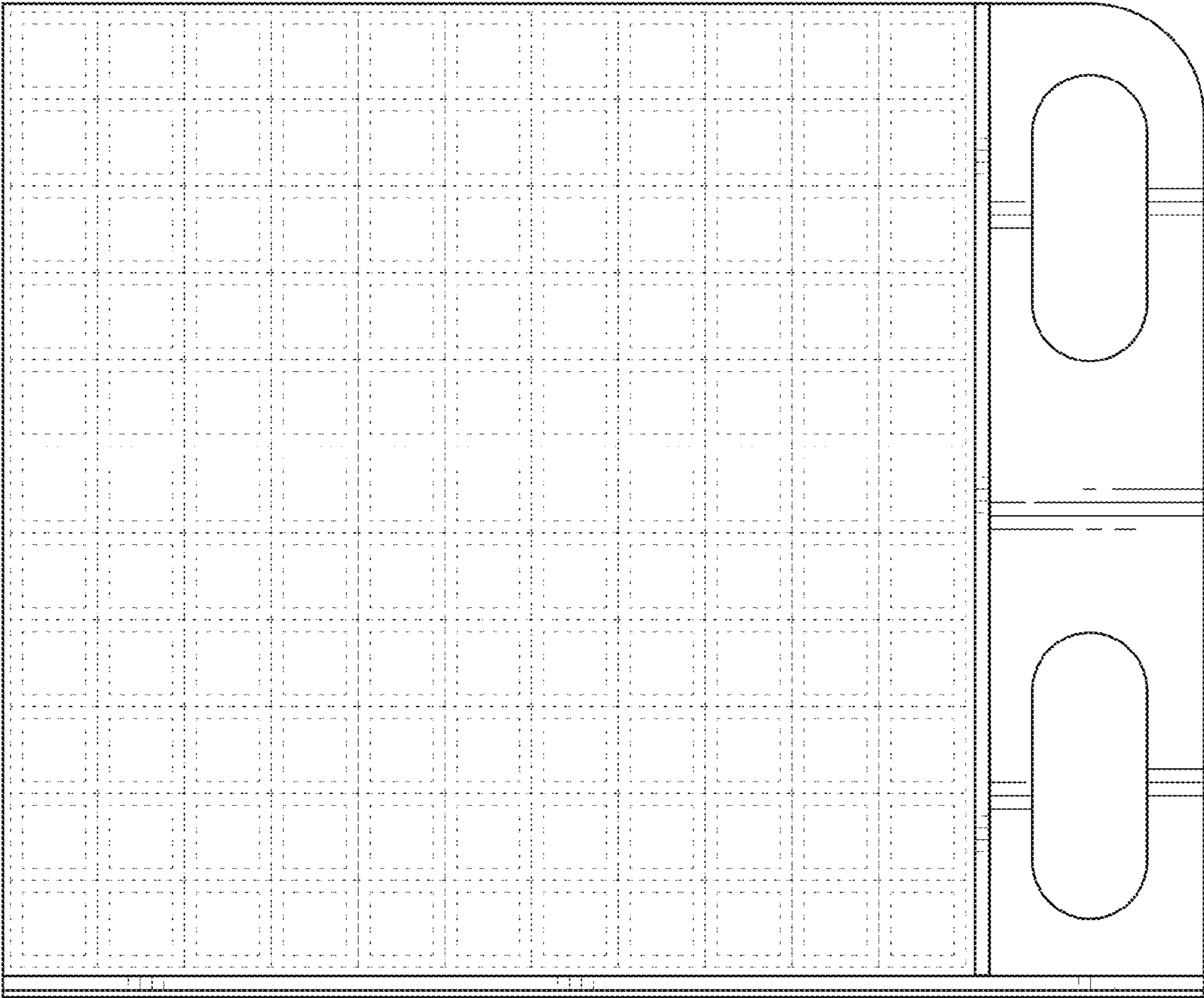


FIG. 2

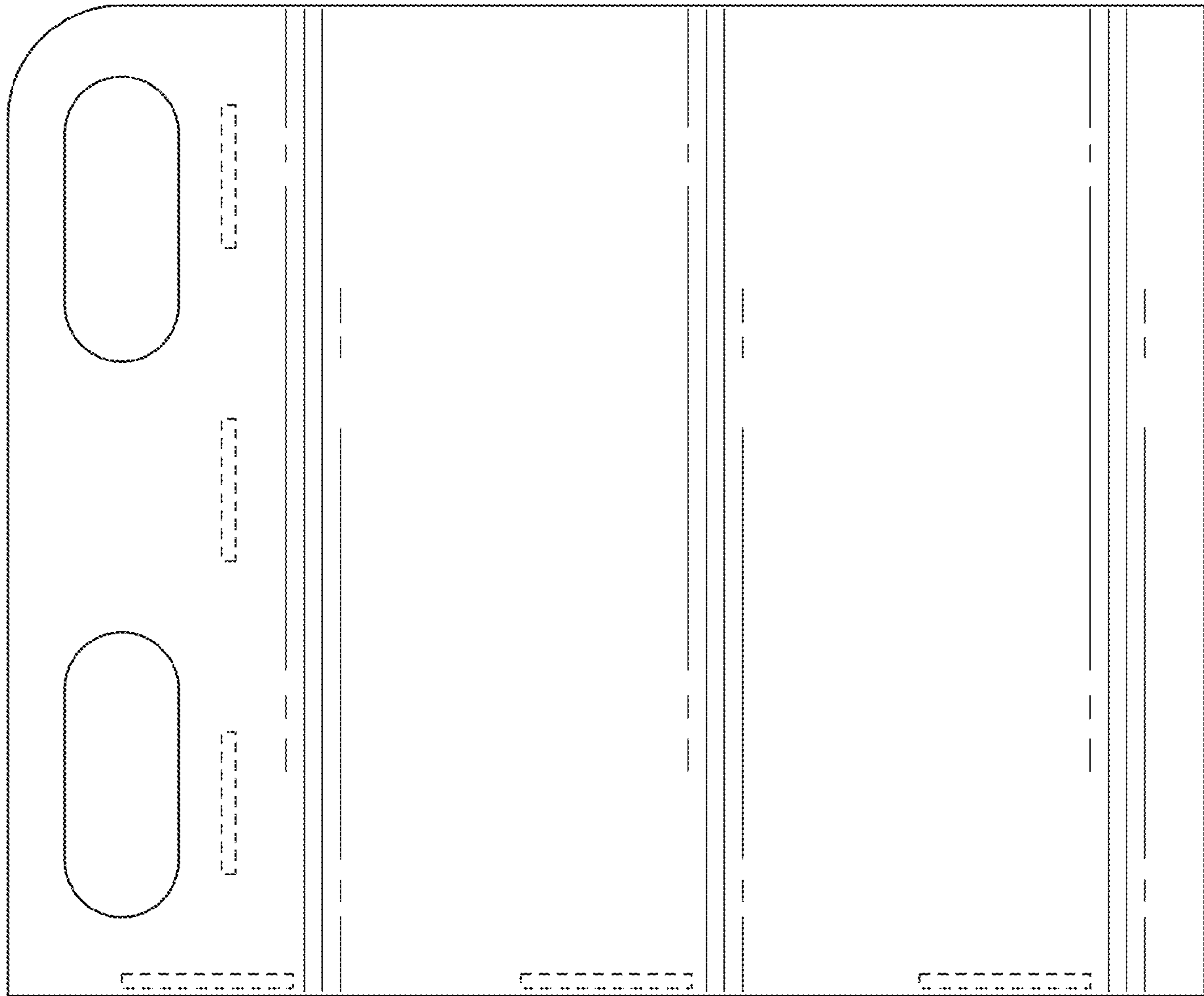


FIG. 3

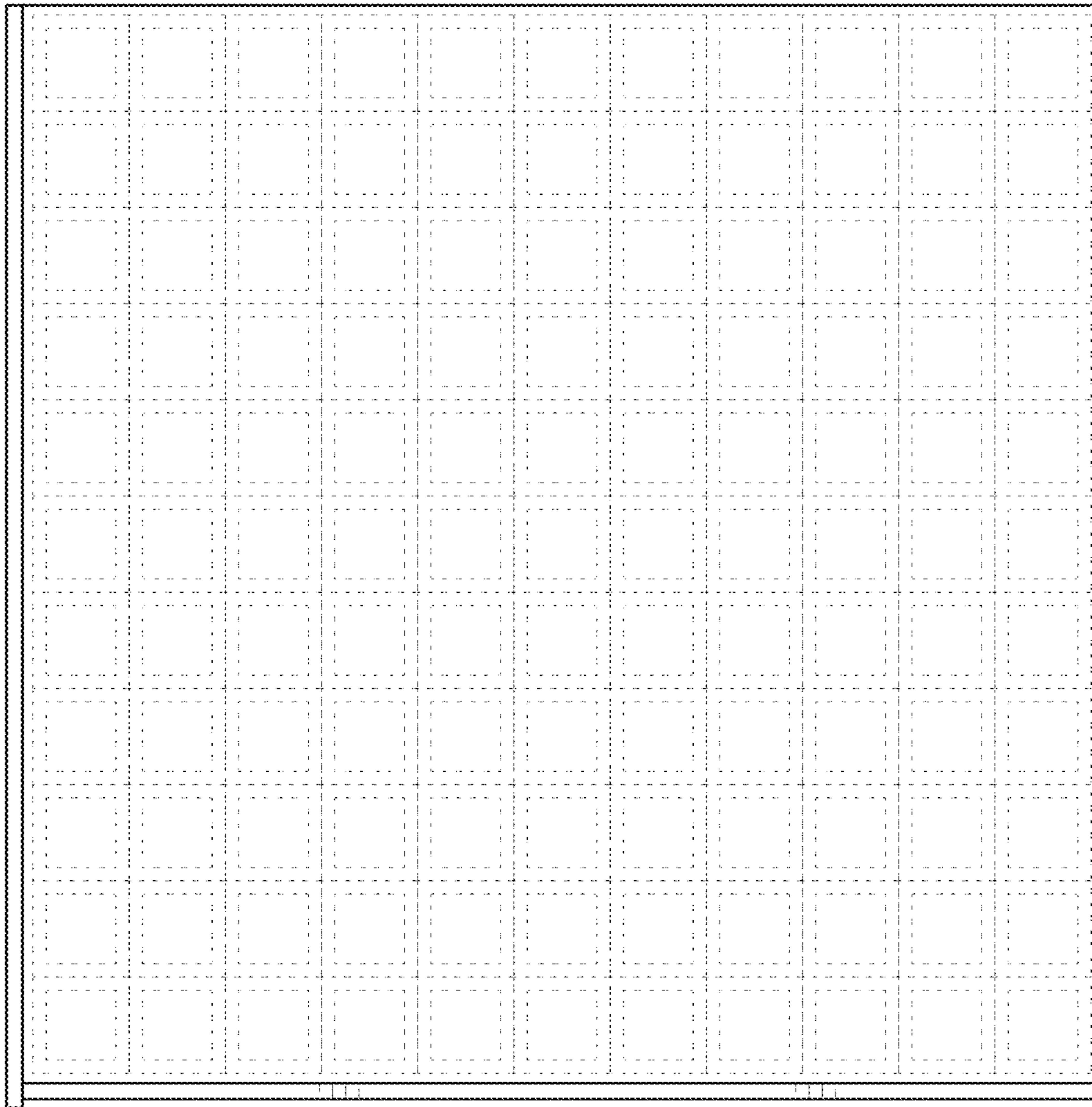


FIG. 4

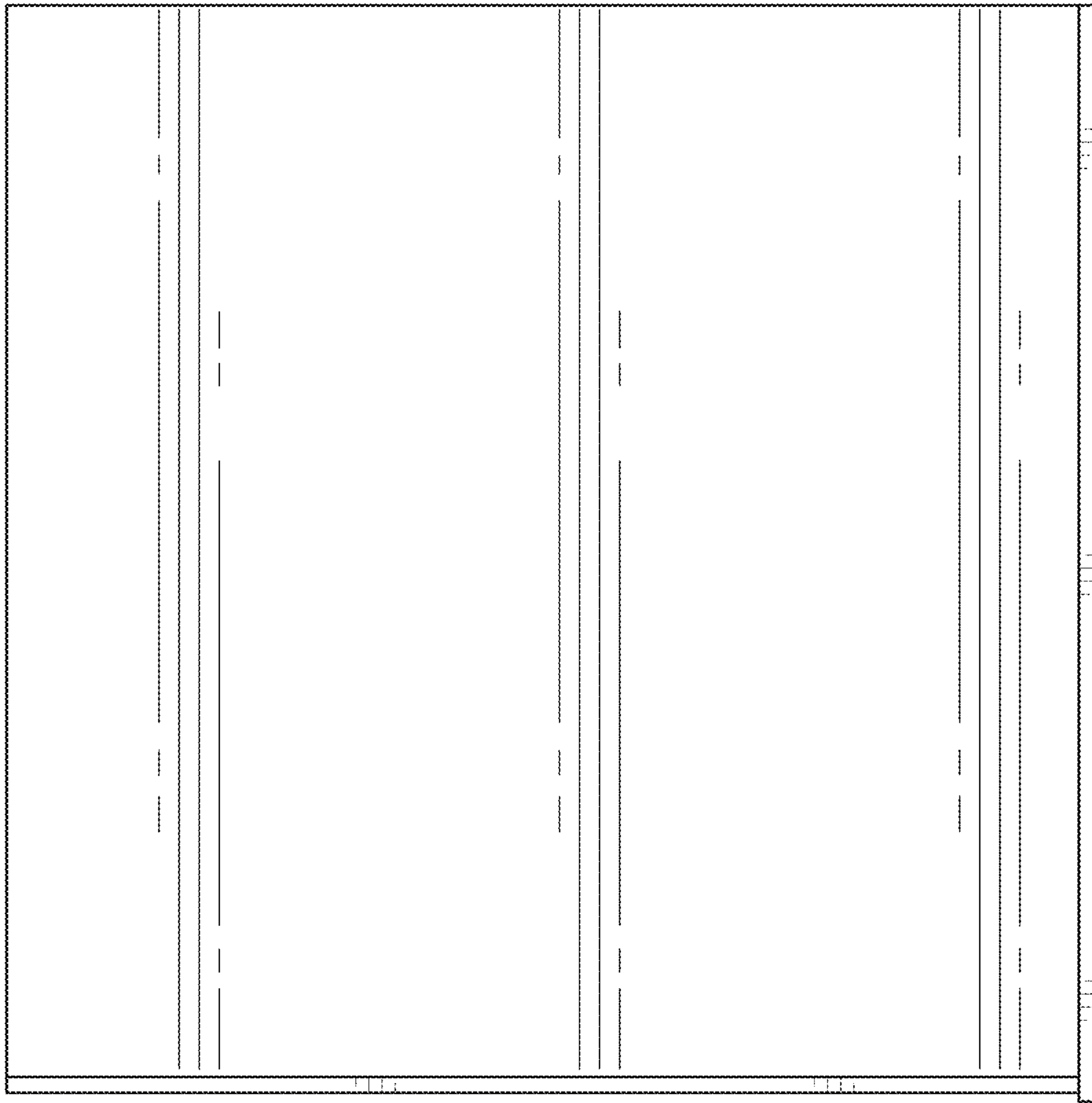


FIG. 5

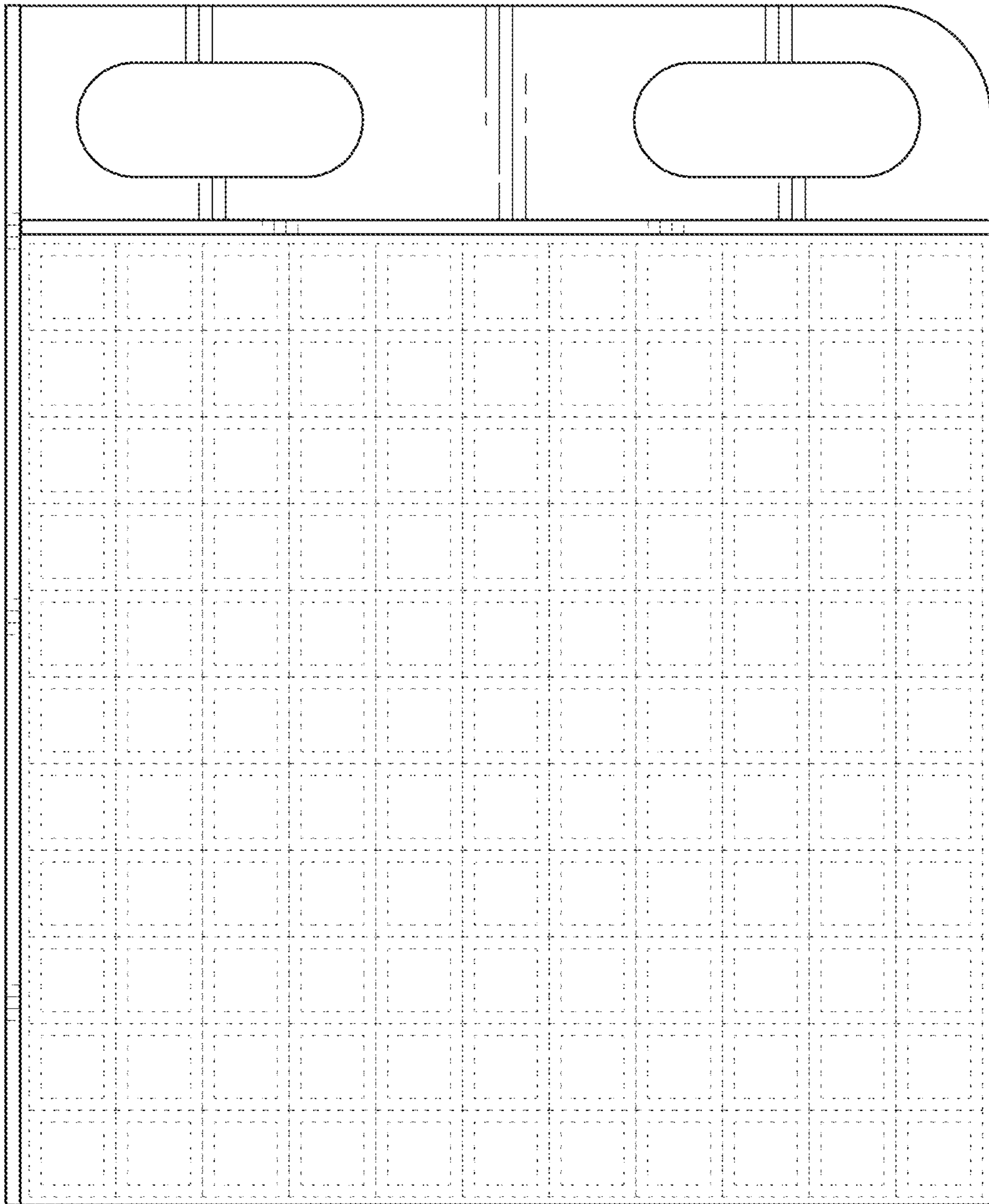


FIG. 6

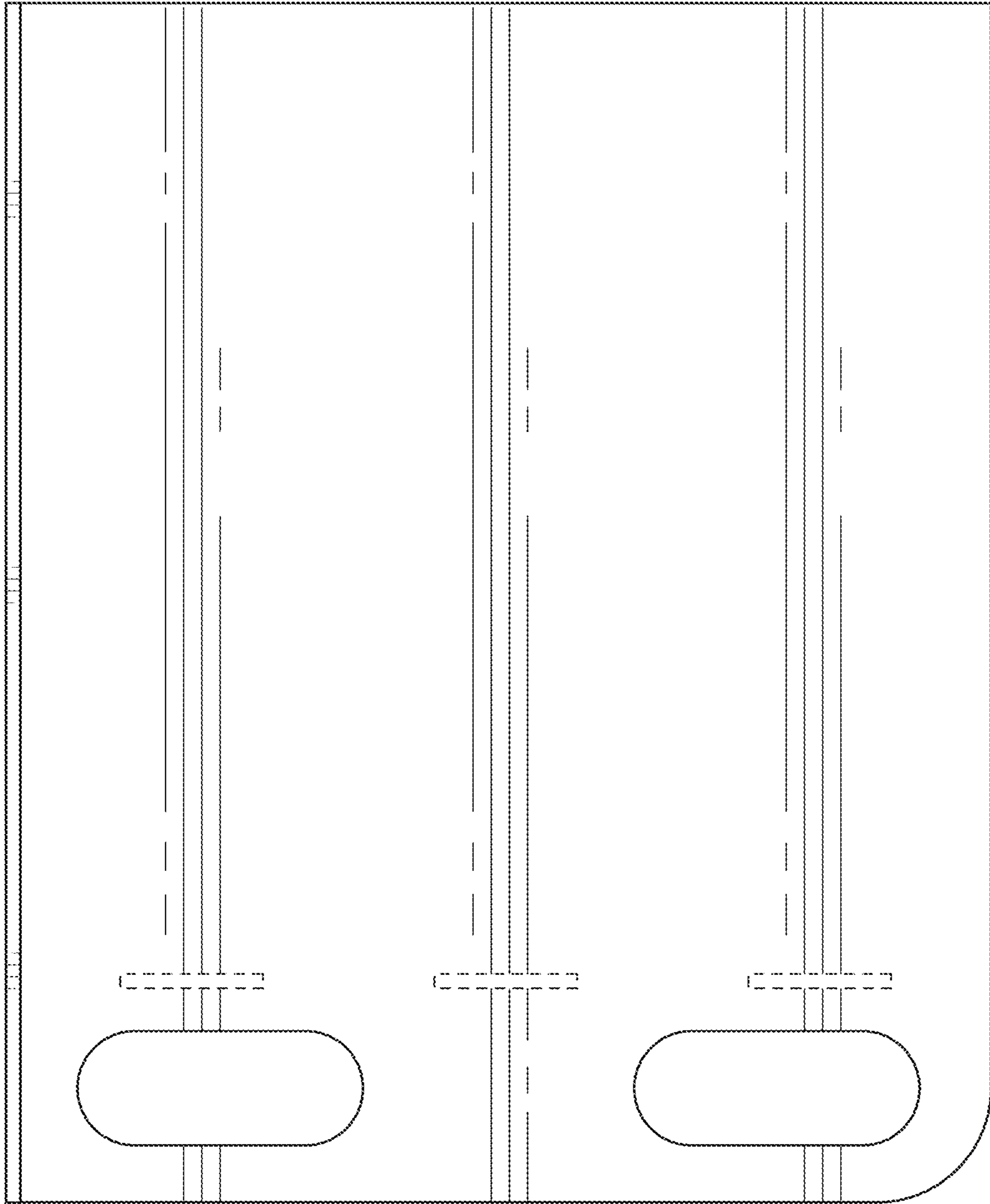


FIG. 7