



US00D910736S

(12) **United States Design Patent**
Matsuura

(10) **Patent No.:** **US D910,736 S**

(45) **Date of Patent:** **** Feb. 16, 2021**

(54) **DIGITAL CAMERA**

(71) Applicant: **Canon Kabushiki Kaisha**, Tokyo (JP)

(72) Inventor: **Yasuaki Matsuura**, Tokyo (JP)

(73) Assignee: **Canon Kabushiki Kaisha**, Tokyo (JP)

(**) Term: **15 Years**

(21) Appl. No.: **29/673,119**

(22) Filed: **Dec. 12, 2018**

(30) **Foreign Application Priority Data**

Jun. 13, 2018 (JP) JP2018-012924

(51) **LOC (13) Cl.** **16-05**

(52) **U.S. Cl.**

USPC **D16/219**; D16/208; D16/202; D3/215;
D3/207; D8/394; D8/356; D14/480.1

(58) **Field of Classification Search**

USPC D3/210, 215, 207-209; D8/356, 357,
D8/394; D10/31, 104.1, 50, 65, 74, 70,
D10/118.2, 66, 24, 18; D16/200-220,
D16/131, 132, 237, 242, 239, 250, 235,
D16/130, 134, 136, 238; D14/417,
D14/138 C, 240, 248, 203.1, 203.3, 203.7,
D14/218, 207, 440, 402, 454, 407, 408,
D14/480.3, 480.1, 483; D24/138

CPC . G02B 7/02; G02B 7/021; G02B 7/04; G02B
7/14; G02B 7/003; G02B 7/008; G02B
13/06; G03B 17/00; G03B 17/02; G03B
17/56; G03B 17/04; G03B 17/14; G03B
17/08; G03B 15/03; G03B 15/06; H04N
1/00981; H04N 5/2251; H04N 5/2252;
H04N 5/2253; H04N 5/2254; H04N

(Continued)

(56) **References Cited**

U.S. PATENT DOCUMENTS

803,839 A * 11/1905 Merrill A44B 15/00
70/459

D94,561 S * 2/1935 Patten D10/24

(Continued)

OTHER PUBLICATIONS

UM6023 Carabiner USB Memory Flash Drive in Metal Gun Color, published 2018 [online], [retrieved Mar. 14, 2020], Available from Internet, URL: <https://topwimfy.com/products/usb-memory-drives/um6023-carabiner-usb-memory> (Year: 2018).*

(Continued)

Primary Examiner — Dana K Weiland

Assistant Examiner — Mary Claire Ramirez

(74) *Attorney, Agent, or Firm* — Venable LLP

(57) **CLAIM**

The ornamental design for a digital camera, as shown and described.

DESCRIPTION

FIG. 1 is a front view of a digital camera showing my new design;

FIG. 2 is a rear view thereof;

FIG. 3 is a top plan view thereof;

FIG. 4 is a bottom plan view thereof;

FIG. 5 is a left side view thereof;

FIG. 6 is a right side view thereof;

FIG. 7 is a front perspective view thereof;

FIG. 8 is a rear perspective view thereof;

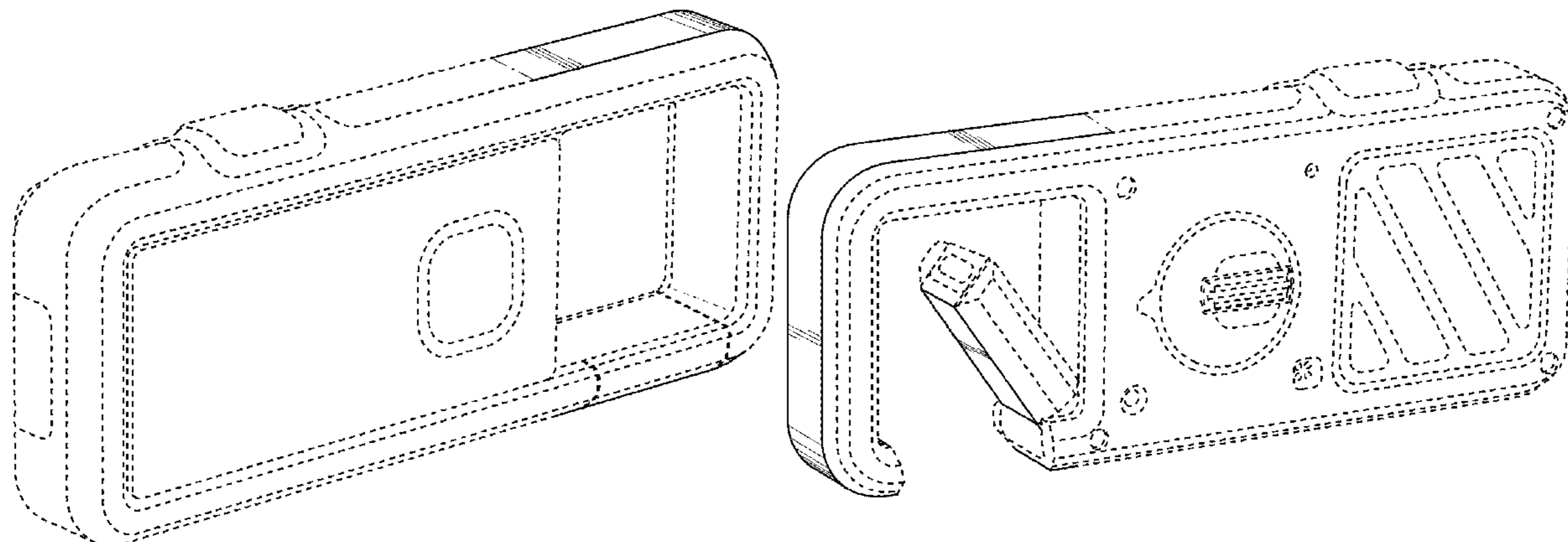
FIG. 9 is a front perspective view of the digital camera shown in an open configuration;

FIG. 10 is a rear perspective view thereof; and,

FIG. 11 is a front, right, bottom perspective view thereof.

The evenly-spaced dashed broken lines in the drawings depict portions of the digital camera that form no part of the claimed design. The dot-dashed broken lines in the drawings depict a boundary of the claimed design that forms no part of the claimed design.

1 Claim, 6 Drawing Sheets



(58) **Field of Classification Search**
 CPC 5/23238; H04N 7/00; H04N 13/239; H04N
 2101/00; F16M 13/00
 See application file for complete search history.

(56) **References Cited**

U.S. PATENT DOCUMENTS

2,896,290 A * 7/1959 Salm A44B 15/00
 24/600.4
 3,599,553 A * 8/1971 Hansen G03B 11/043
 396/448
 3,604,233 A * 9/1971 Barrett A45C 11/32
 70/459
 3,635,058 A * 1/1972 Polk A44B 15/00
 70/459
 3,922,694 A * 11/1975 Davis A45C 11/38
 396/423
 D248,190 S * 6/1978 Motzer D3/207
 D258,921 S * 4/1981 Brentini D3/207
 D259,074 S * 5/1981 Harris D3/208
 D273,722 S * 5/1984 Brentini D3/207
 D288,785 S * 3/1987 Levine D10/50
 D304,976 S * 12/1989 Grossiord D3/207
 5,020,348 A * 6/1991 Scungio A44B 15/002
 70/456 R
 5,077,850 A * 1/1992 Brubaker A44B 15/005
 224/163
 D336,260 S * 6/1993 Jensen D10/106.1
 D383,766 S * 9/1997 Yamauchi D16/202
 D419,251 S * 1/2000 Parsons D26/38
 D422,731 S * 4/2000 Parsons D26/46
 D425,781 S * 5/2000 Hopper D8/382
 6,190,018 B1 * 2/2001 Parsons A44B 15/005
 362/116
 D441,473 S * 5/2001 Parsons D26/38
 6,357,890 B1 * 3/2002 Parsons A44B 15/00
 362/116
 D456,252 S * 4/2002 Weil D9/415
 6,511,214 B1 * 1/2003 Parsons A44B 15/005
 362/116
 D471,430 S * 3/2003 Fonfeder D8/334
 D471,792 S * 3/2003 Hong D8/382
 6,749,317 B1 * 6/2004 Parsons A44B 15/00
 362/116
 D493,184 S * 7/2004 Senda D16/202
 6,786,616 B1 * 9/2004 Parsons A44B 15/00
 362/116
 6,796,672 B2 * 9/2004 Parsons A44B 15/00
 362/116
 D501,781 S * 2/2005 Galli D26/37
 D504,767 S * 5/2005 DiMarchi D3/208
 D513,027 S * 12/2005 Katayama D16/202
 D520,544 S * 5/2006 Senda D16/202
 D527,403 S * 8/2006 Byun D16/202
 D534,197 S * 12/2006 Hanafusa D16/202
 D537,820 S * 3/2007 Hsu D14/480.1
 7,186,001 B1 * 3/2007 Parsons A44B 15/00
 362/116
 D546,346 S * 7/2007 Miyamori D14/496

D548,058 S * 8/2007 Joachim D8/356
 D550,952 S * 9/2007 Rimon D3/207
 D555,690 S * 11/2007 Choi D16/202
 D557,311 S * 12/2007 Hanafusa D16/202
 D561,225 S * 2/2008 Miyahara D16/219
 D579,494 S * 10/2008 Chan D19/121
 D583,816 S * 12/2008 Guccione D14/480.5
 D588,939 S * 3/2009 Falkenstein D10/31
 D595,328 S * 6/2009 Kim D16/219
 D606,078 S * 12/2009 Chen D14/480.6
 D614,223 S * 4/2010 Kim D16/211
 D619,283 S * 7/2010 Galli D26/46
 7,794,246 B2 * 9/2010 Cheng H01R 35/04
 439/138
 D630,260 S * 1/2011 Cole D21/483
 7,883,353 B2 * 2/2011 Hao G06K 19/041
 439/358
 D633,909 S * 3/2011 Heath D11/81
 D634,117 S * 3/2011 Morrish D3/207
 D634,704 S * 3/2011 Tieleman D13/102
 D642,374 S * 8/2011 Morrish D3/210
 D655,709 S * 3/2012 Huang D14/480.3
 D655,999 S * 3/2012 Kelleghan D8/356
 D659,094 S * 5/2012 Brand D13/108
 D689,847 S * 9/2013 To D14/223
 D695,806 S * 12/2013 Konishi D16/202
 D697,119 S * 1/2014 Park D16/203
 D698,680 S * 2/2014 Burstein D10/106.9
 D698,841 S * 2/2014 Lee D16/202
 D721,714 S * 1/2015 Enayati D14/480.6
 D725,691 S * 3/2015 De Rosa D16/202
 D740,105 S * 10/2015 Kelleghan D8/356
 D746,662 S * 1/2016 Kelleghan D8/356
 D781,277 S * 3/2017 Cameron D14/250
 D784,349 S * 4/2017 Schwibner D14/440
 D803,440 S * 11/2017 Tompkin D26/37
 D833,855 S * 11/2018 Page D8/356
 D842,060 S * 3/2019 She D8/34
 D854,401 S * 7/2019 Adelman D8/356
 D861,937 S * 10/2019 Hu D26/37
 D862,484 S * 10/2019 Shim D14/480.1
 D883,366 S * 5/2020 Tanaka D16/235
 D883,981 S * 5/2020 Zhan D14/384
 D885,871 S * 6/2020 Adelman D8/356
 D885,934 S * 6/2020 Bai D10/2
 2008/0142129 A1 * 6/2008 Reasner A45C 11/32
 150/131
 2009/0042433 A1 * 2/2009 Bushby H01R 13/4538
 439/352
 2013/0327183 A1 * 12/2013 Tai-Kao B67B 7/16
 81/3.09
 2018/0338027 A1 * 11/2018 Sung H04N 5/23209
 2019/0387143 A1 * 12/2019 Shibata H04N 5/2251

OTHER PUBLICATIONS

PKparis Klip Metal Mini Carabiner USB 3 Flash Drive, published
 2014 [online], [retrieved Mar. 14, 2020], Available from Internet,
 URL: <http://www.ycgadget.com/en/pkparis-klip-usb-3-0> (Year: 2014).*

* cited by examiner

FIG. 1

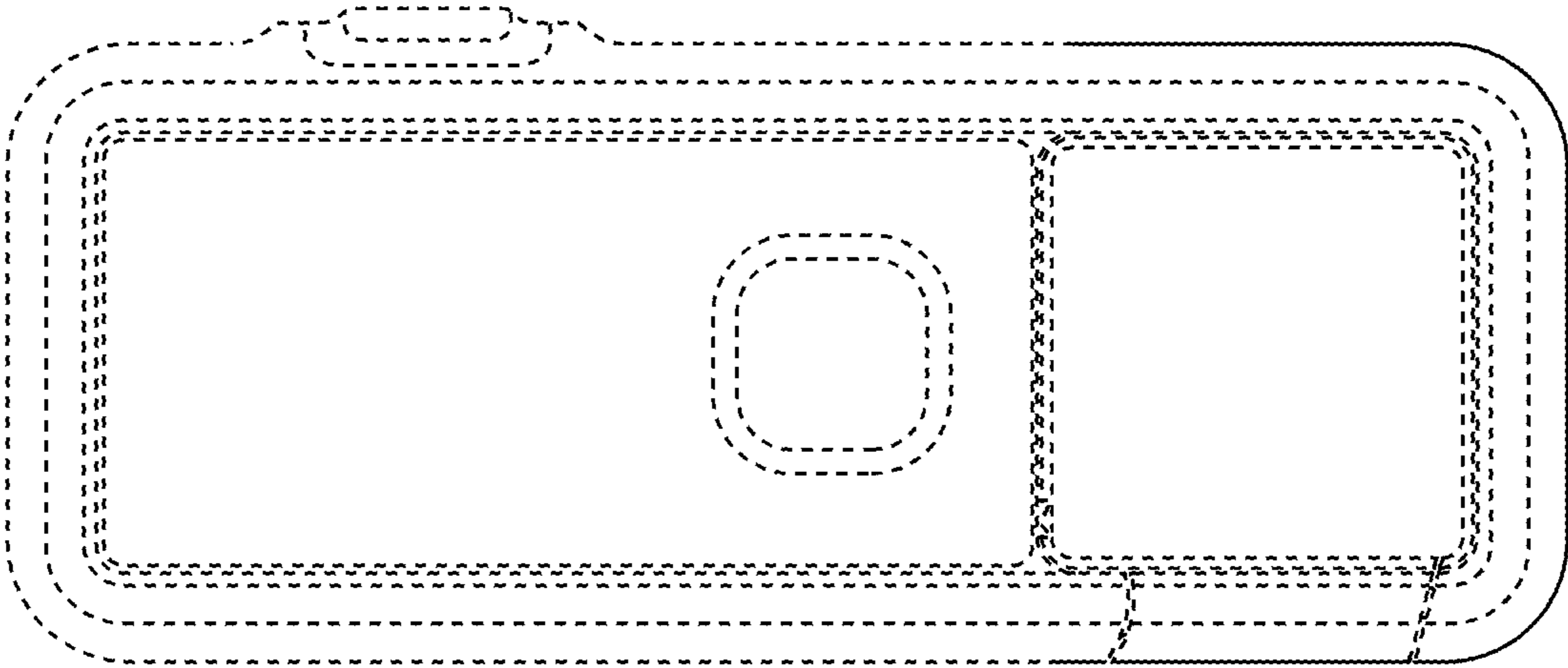


FIG. 2

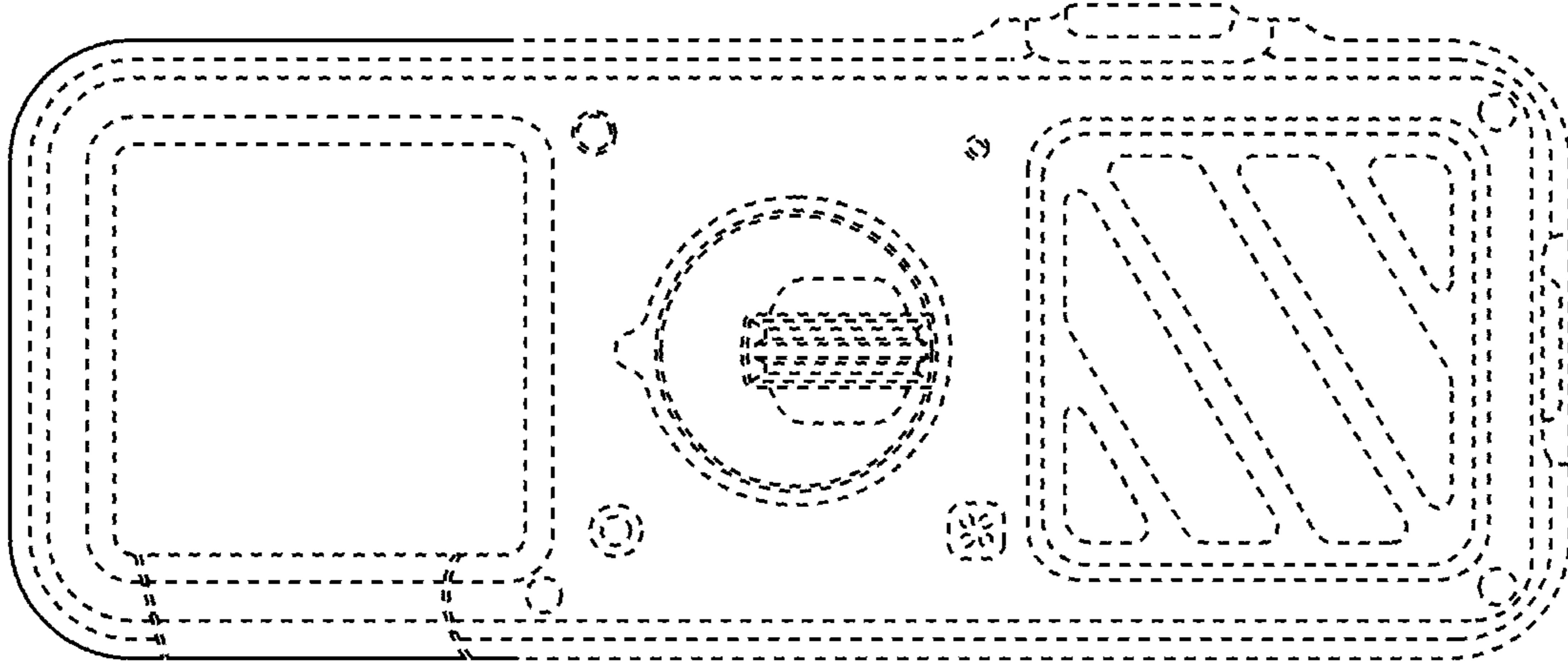


FIG. 3

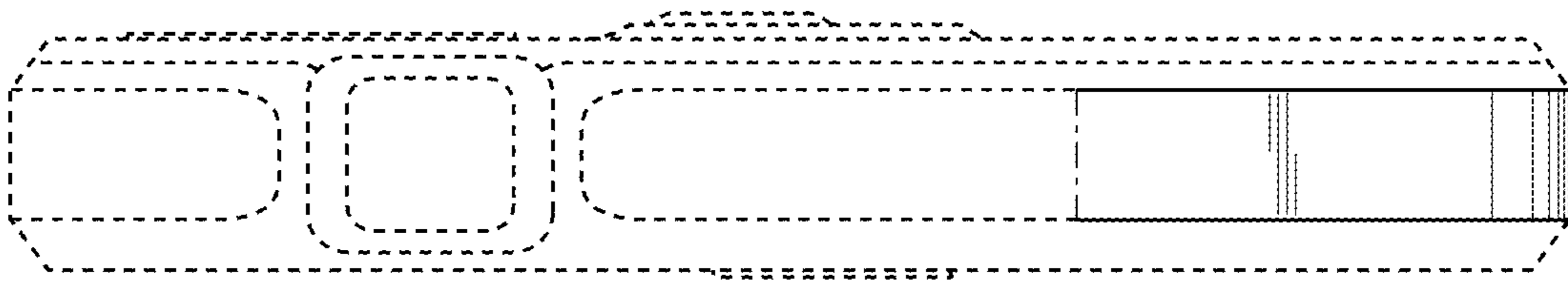


FIG. 4

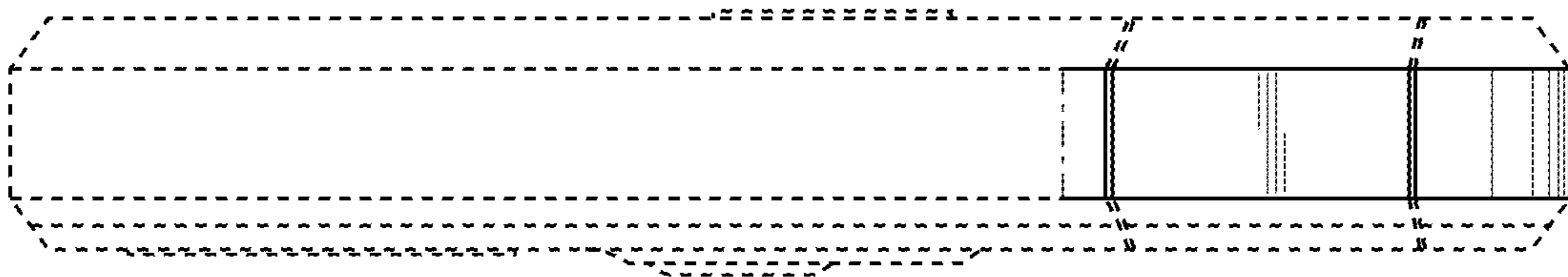


FIG. 5

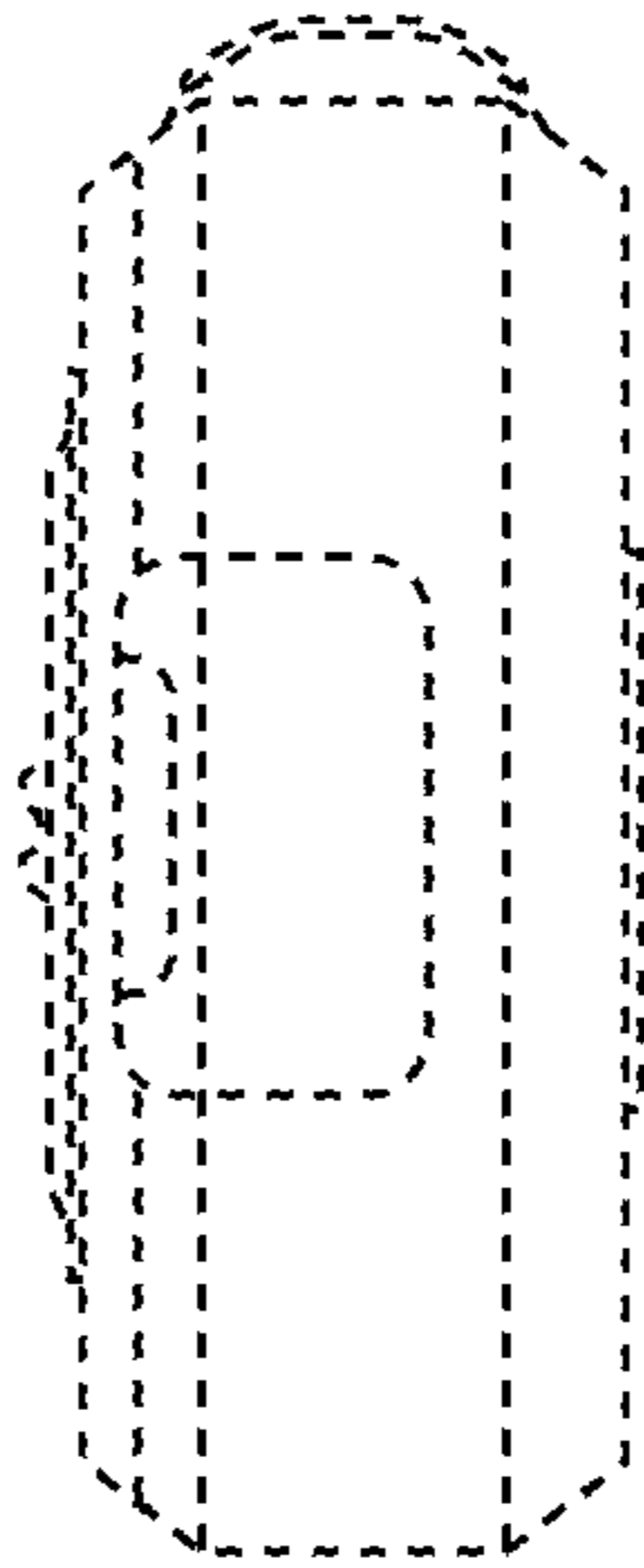


FIG. 6

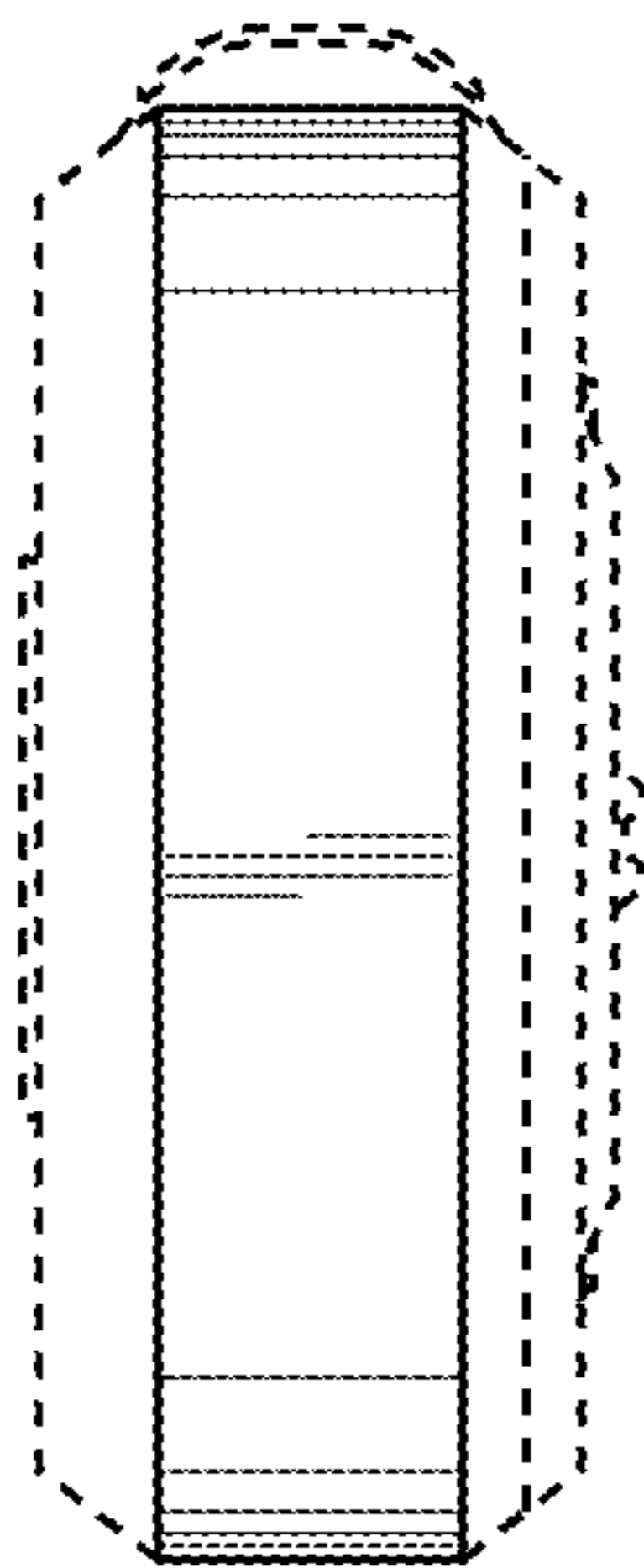


FIG. 7

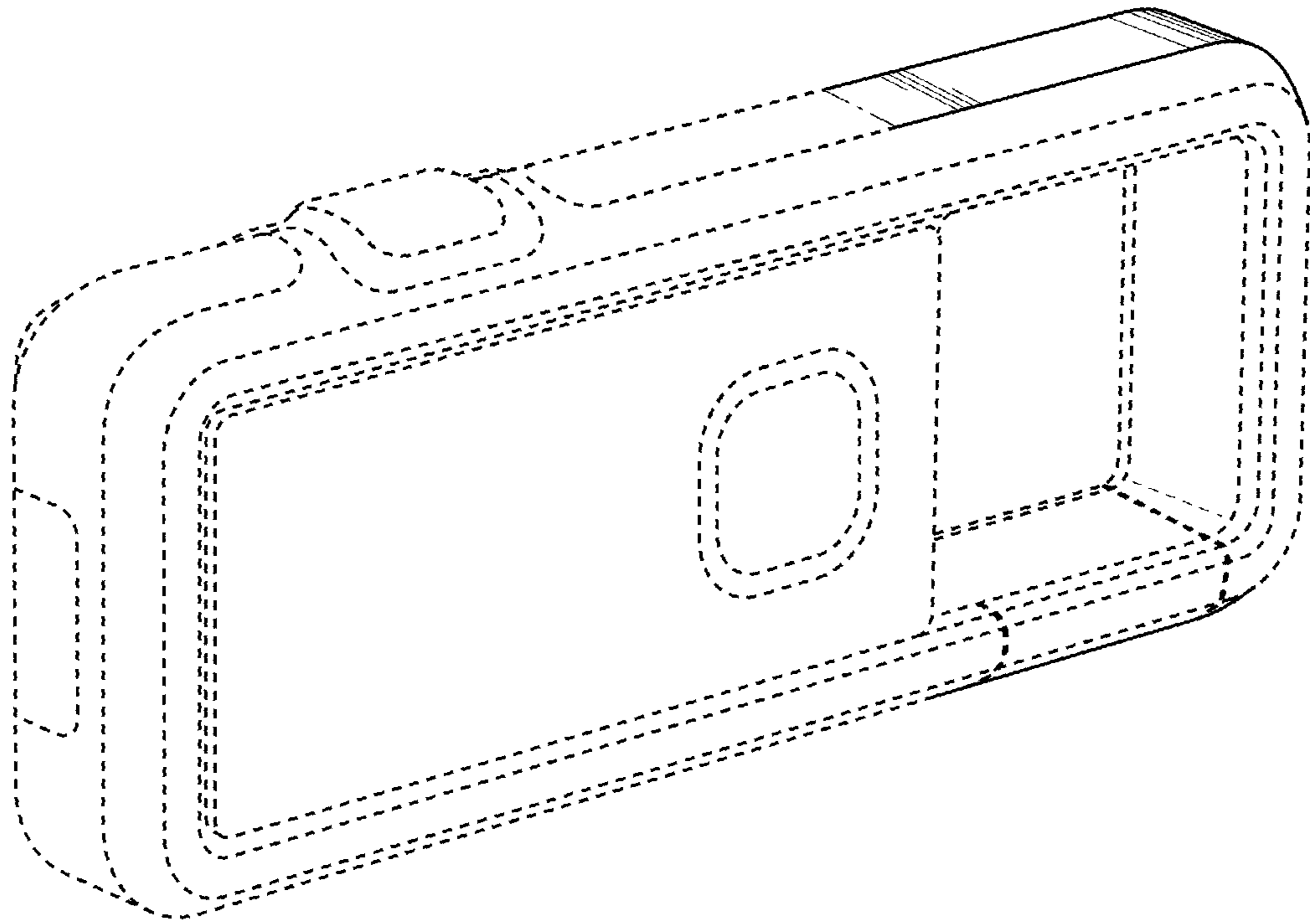


FIG. 8

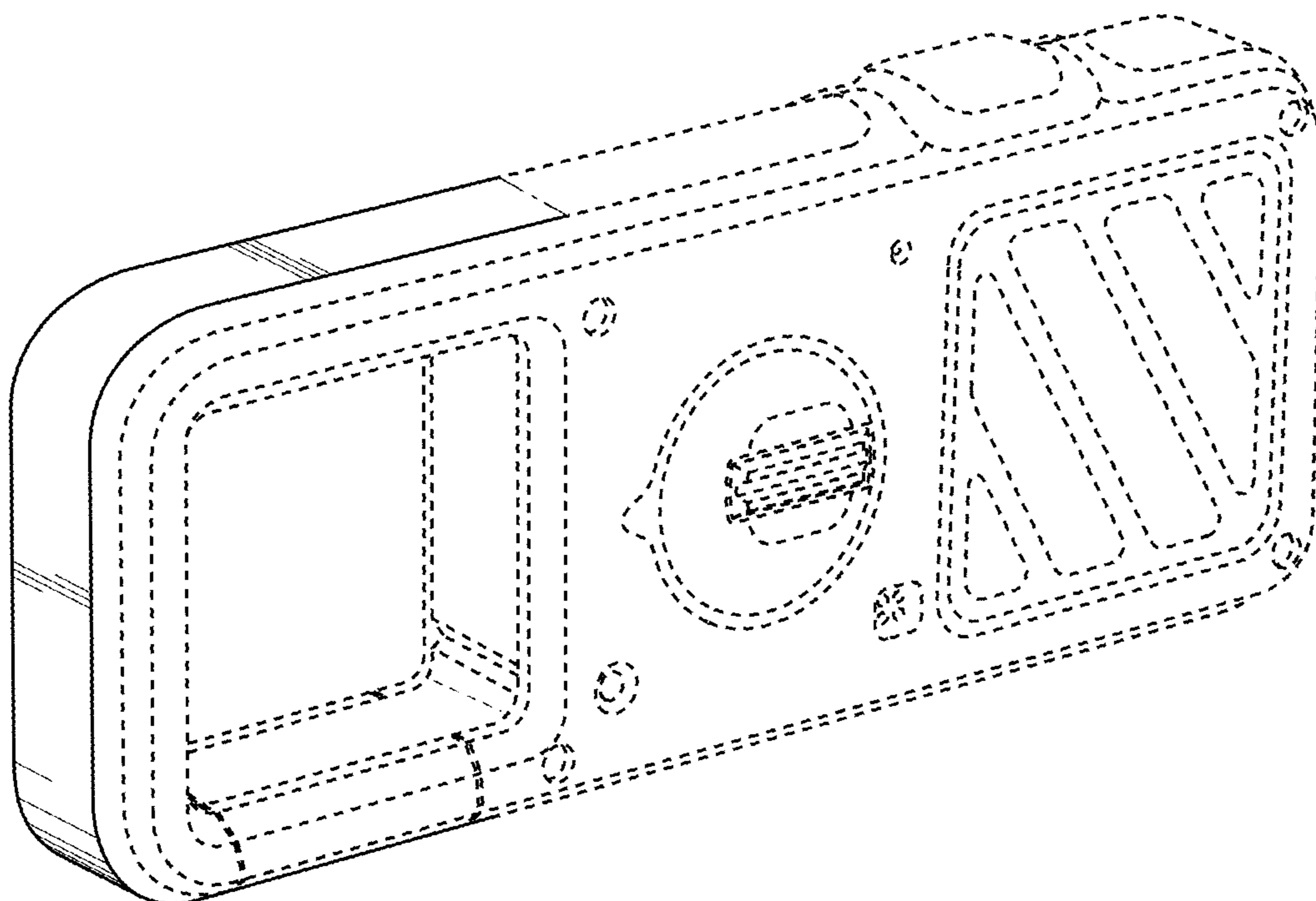


FIG. 9

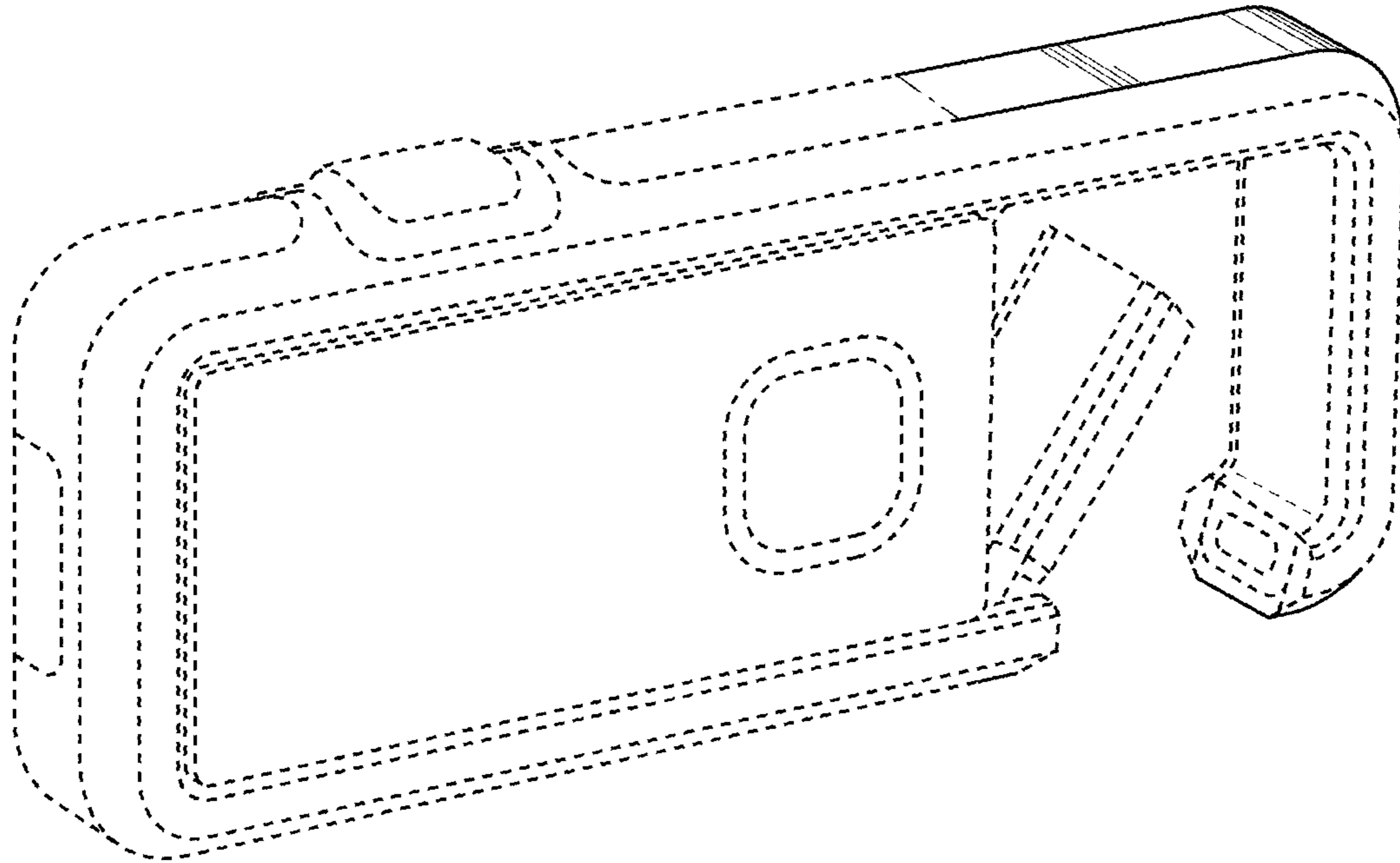


FIG. 10

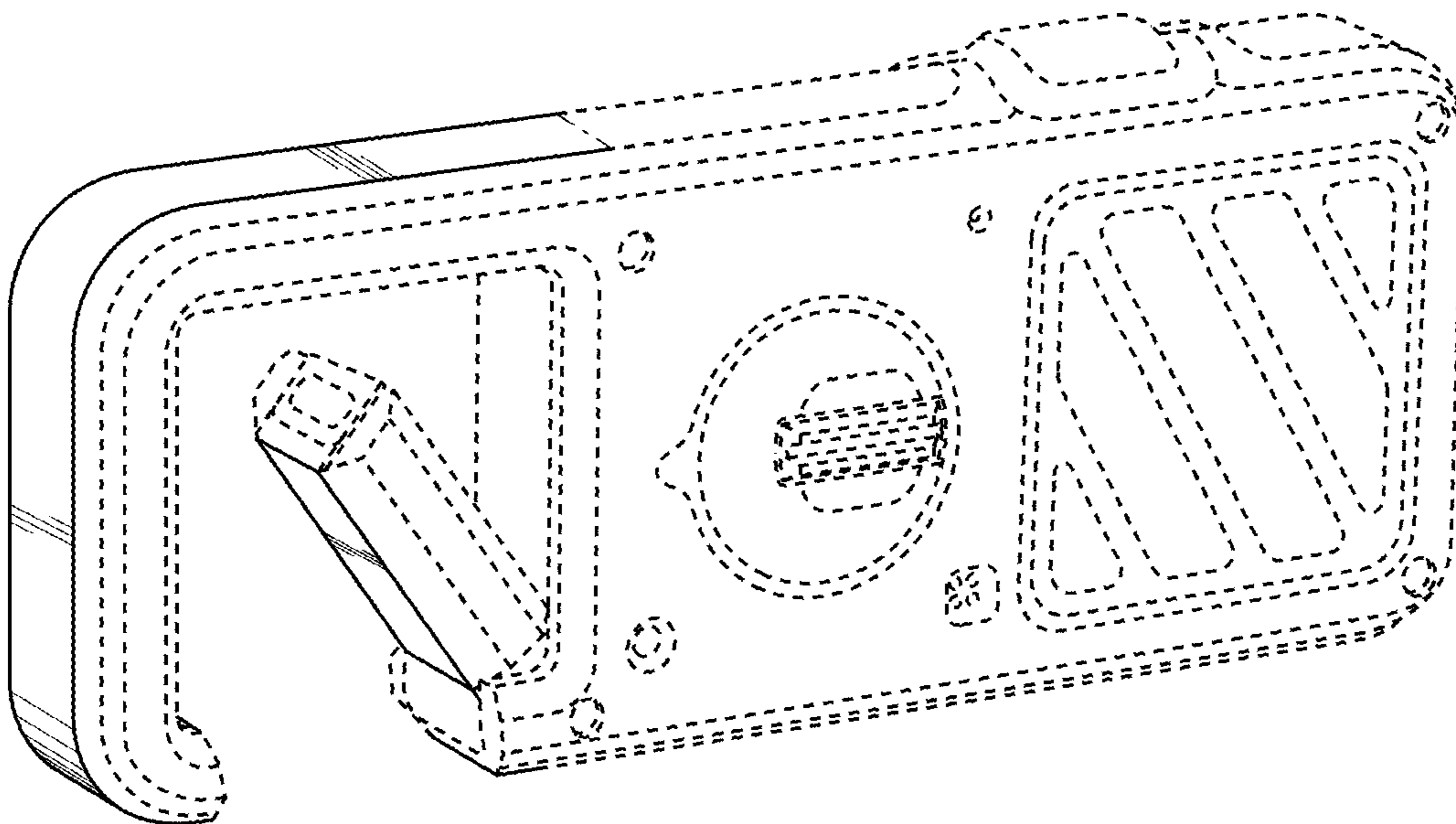


FIG. 11

