



US00D910735S

(12) **United States Design Patent** (10) **Patent No.:** **US D910,735 S**
Wexler et al. (45) **Date of Patent:** **** Feb. 16, 2021**

- (54) **VIDEO CAPTURE DEVICE**
- (71) Applicant: **OrCam Technologies Ltd.**, Jerusalem (IL)
- (72) Inventors: **Yonatan Wexler**, Jerusalem (IL); **Dave Bortz**, Jerusalem (IL); **Amnon Shashua**, Mevaseret Zion (IL)
- (73) Assignee: **ORCAM TECHNOLOGIES LTD.**, Jerusalem (IL)
- (**) Term: **15 Years**
- (21) Appl. No.: **29/681,243**
- (22) Filed: **Feb. 22, 2019**
- (51) **LOC (13) Cl.** **16-01**
- (52) **U.S. Cl.**
USPC **D16/218**
- (58) **Field of Classification Search**
USPC D16/200, 202–205, 208, 218, 219;
D14/125, 496, 507; 348/373–376;
396/535, 539–541
CPC G03B 15/03; G03B 17/02; G03B 17/04;
G03B 17/56; G03B 19/04; H04N 5/2251;
H04N 5/2252; H04N 5/2253; H04N
5/2254; H04N 2101/00
See application file for complete search history.

(56) **References Cited**

U.S. PATENT DOCUMENTS

D486,509 S *	2/2004	Suzuki	D16/202
D564,559 S *	3/2008	Stephens	D16/208
D616,901 S *	6/2010	Ward	D14/507
D641,771 S *	7/2011	Sasaki	D16/202
D643,056 S *	8/2011	Zaliauskas	D16/203

D732,594 S *	6/2015	Kawa	D16/202
D747,379 S *	1/2016	Onruang	D16/202
D755,272 S *	5/2016	Patulski	D16/202
D794,694 S *	8/2017	Liu	D16/203
D797,836 S *	9/2017	Li	D16/218
D802,644 S *	11/2017	Lee	D16/202
D818,513 S *	5/2018	Girotti	D16/202
D849,078 S *	5/2019	Girotti	D16/202
D865,844 S *	11/2019	Jalala	D16/218
D879,175 S *	3/2020	Matsumoto	D16/202
2013/0038728 A1 *	2/2013	Kim	H04N 5/2256 348/143

* cited by examiner

Primary Examiner — Ramzi S Almatrahi

(74) *Attorney, Agent, or Firm* — Finnegan, Henderson, Farabow, Garrett & Dunner, LLP

(57) **CLAIM**

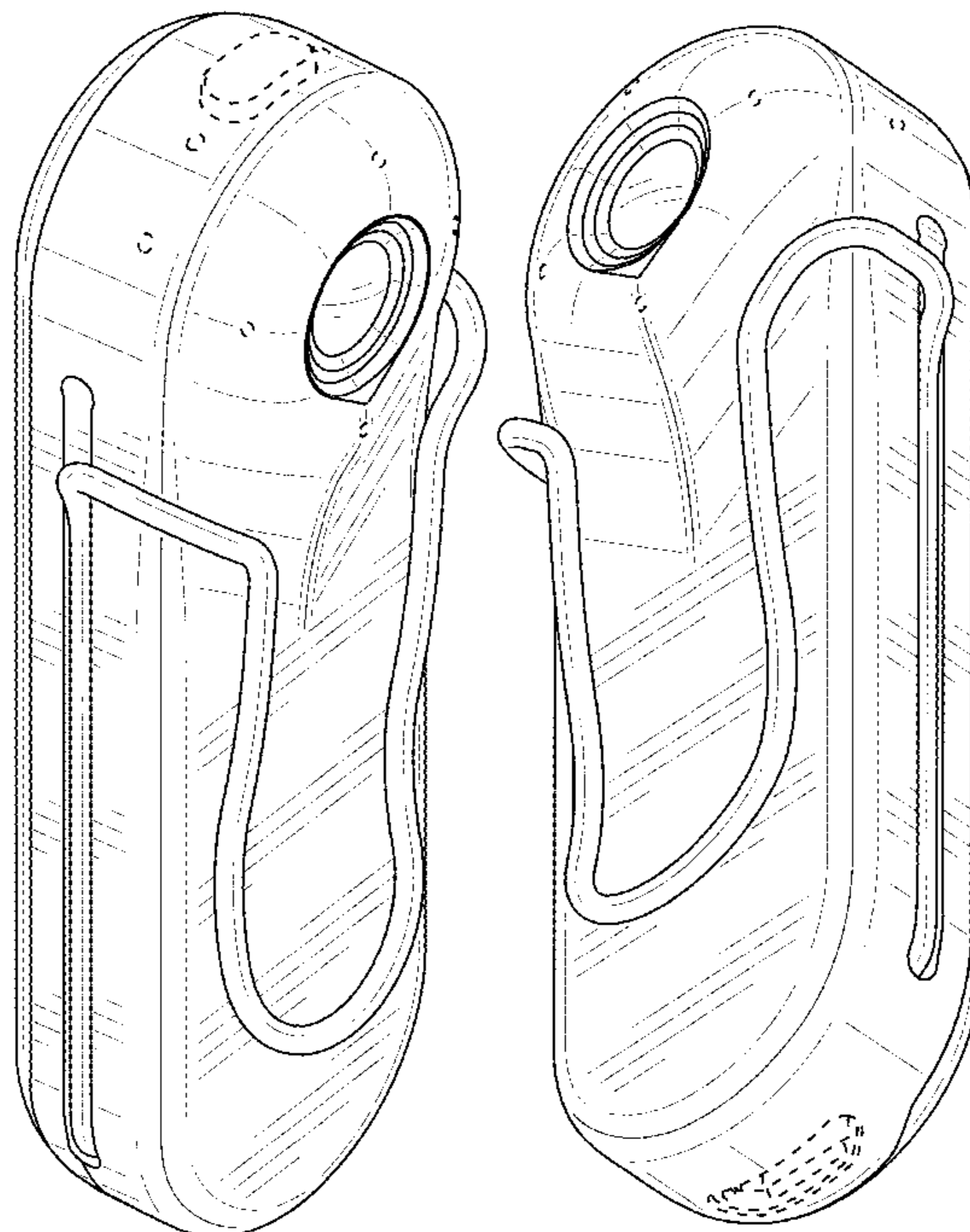
The ornamental design for an video capture device, as shown and described.

DESCRIPTION

FIG. 1 is a top, front and left side perspective view of a video capture device showing our new design;
 FIG. 2 is a bottom, front and right side perspective view thereof;
 FIG. 3 is a front elevation view thereof;
 FIG. 4 is a rear elevation view thereof;
 FIG. 5 is a right side elevation view thereof;
 FIG. 6 is a left side elevation view thereof;
 FIG. 7 is a top plan view thereof; and,
 FIG. 8 is a bottom plan view thereof.

The broken lines of even length shown in the drawings illustrate portions of the video capture device that form no part of the claimed design.

1 Claim, 8 Drawing Sheets



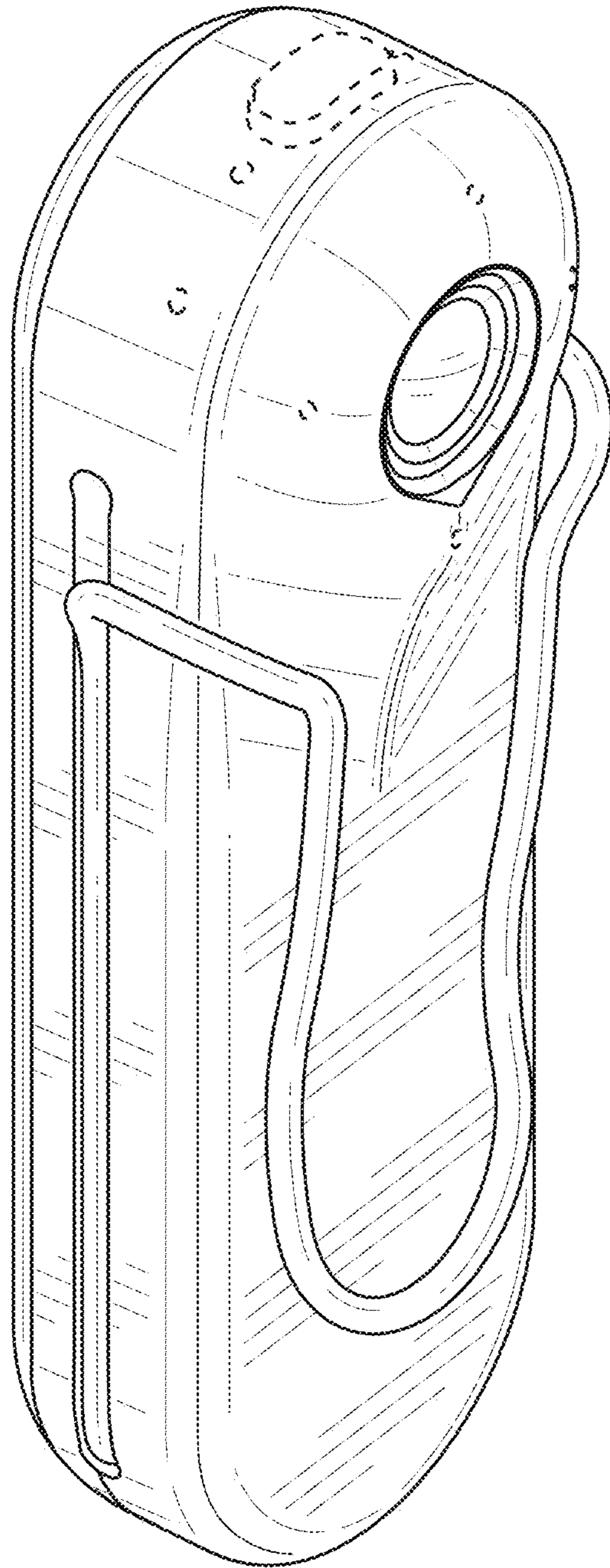


FIG. 1

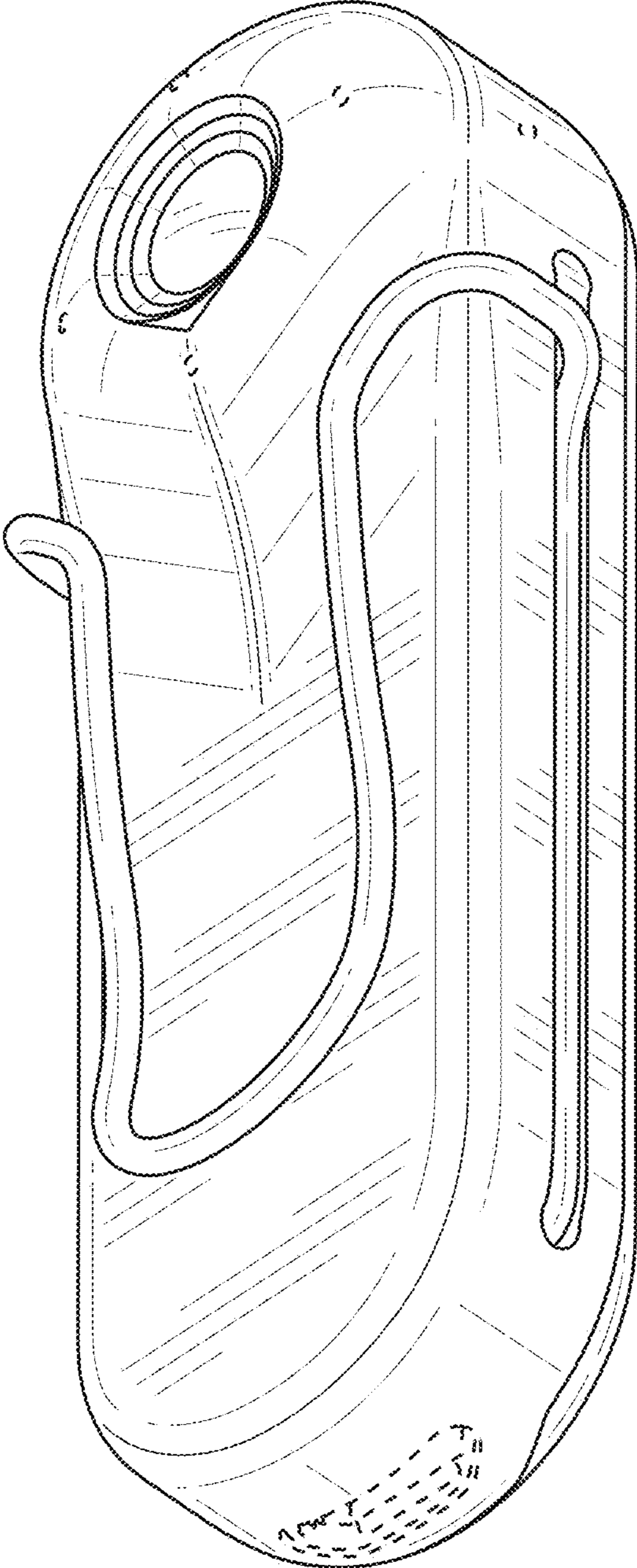


FIG. 2

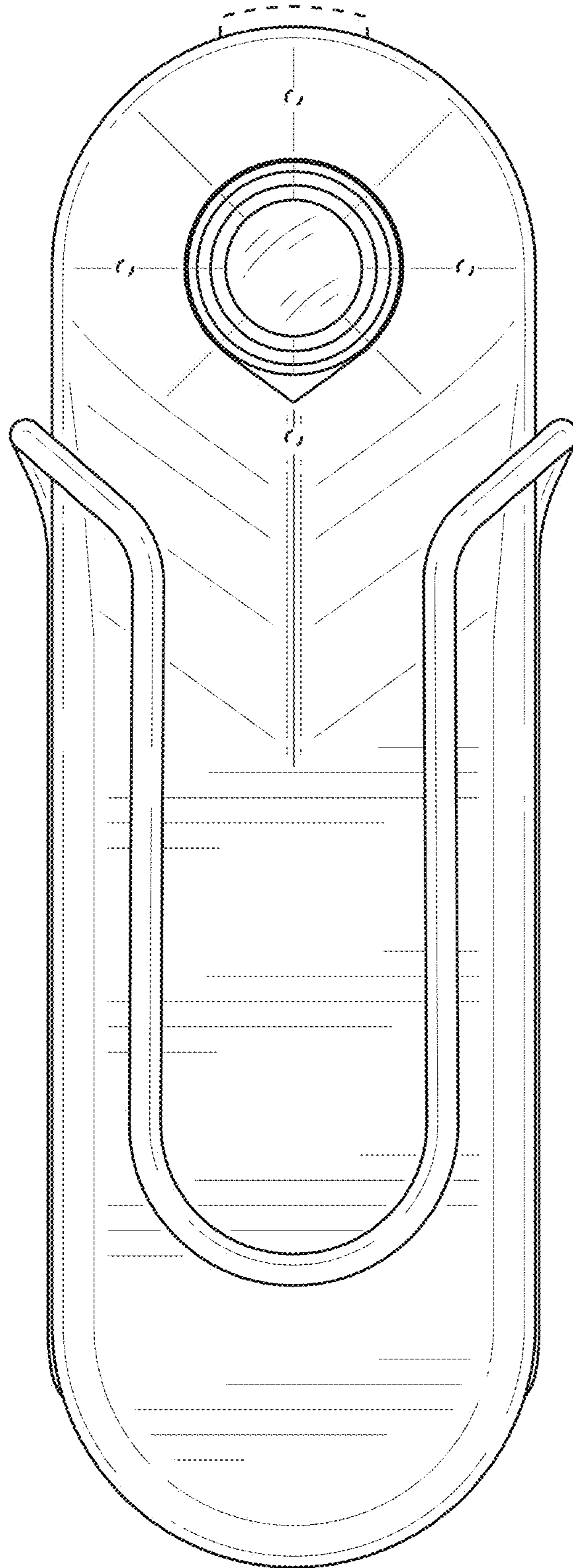


FIG. 3

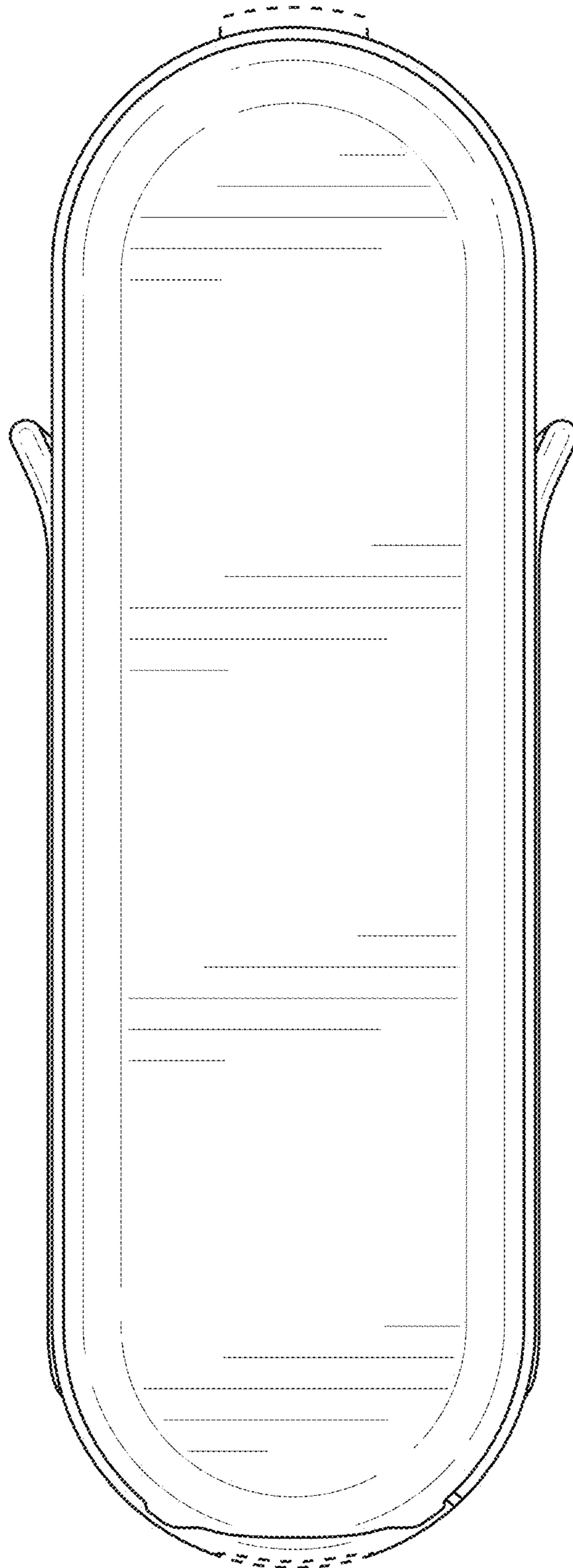


FIG. 4

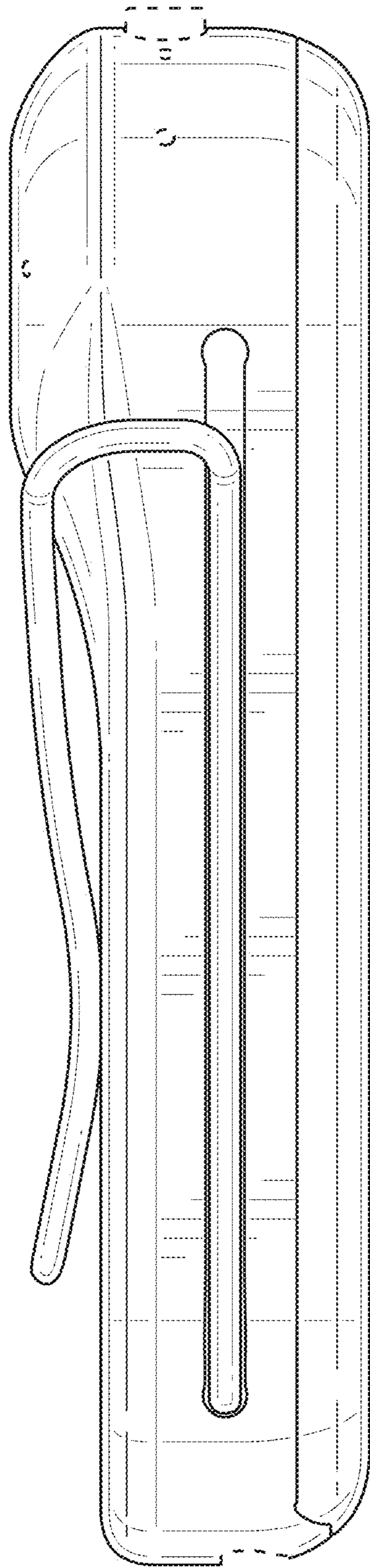


FIG. 5

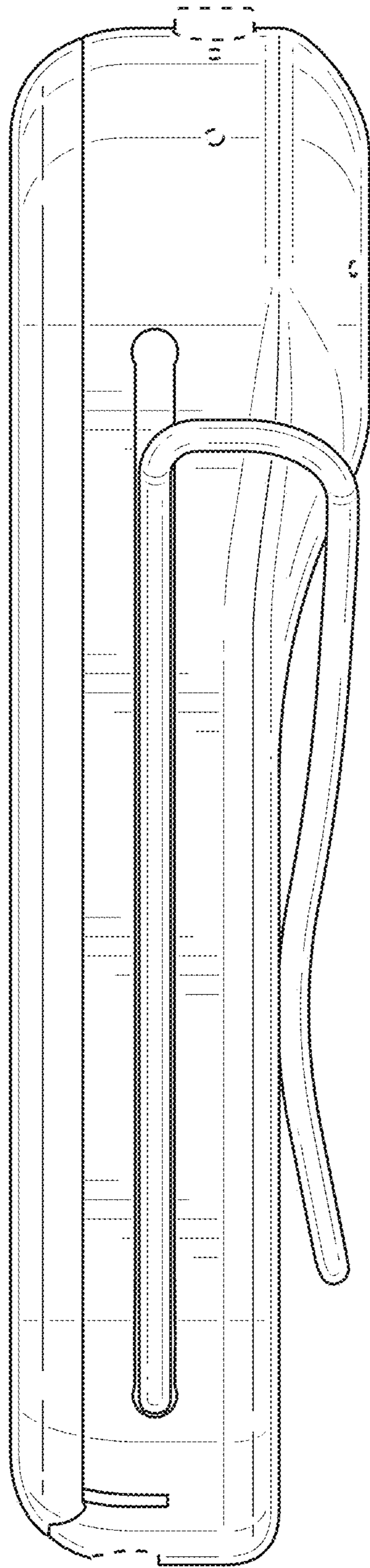


FIG. 6

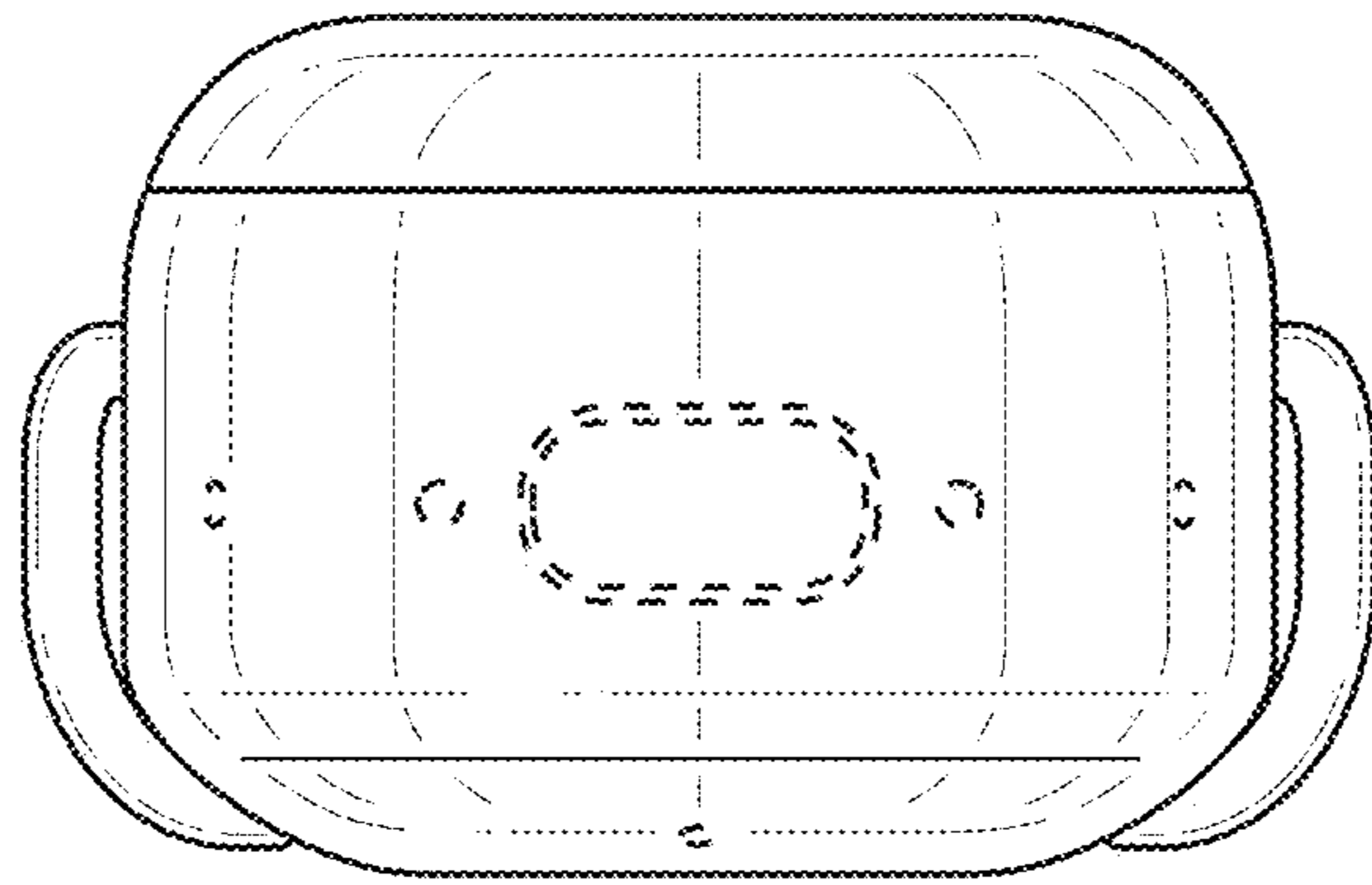


FIG. 7

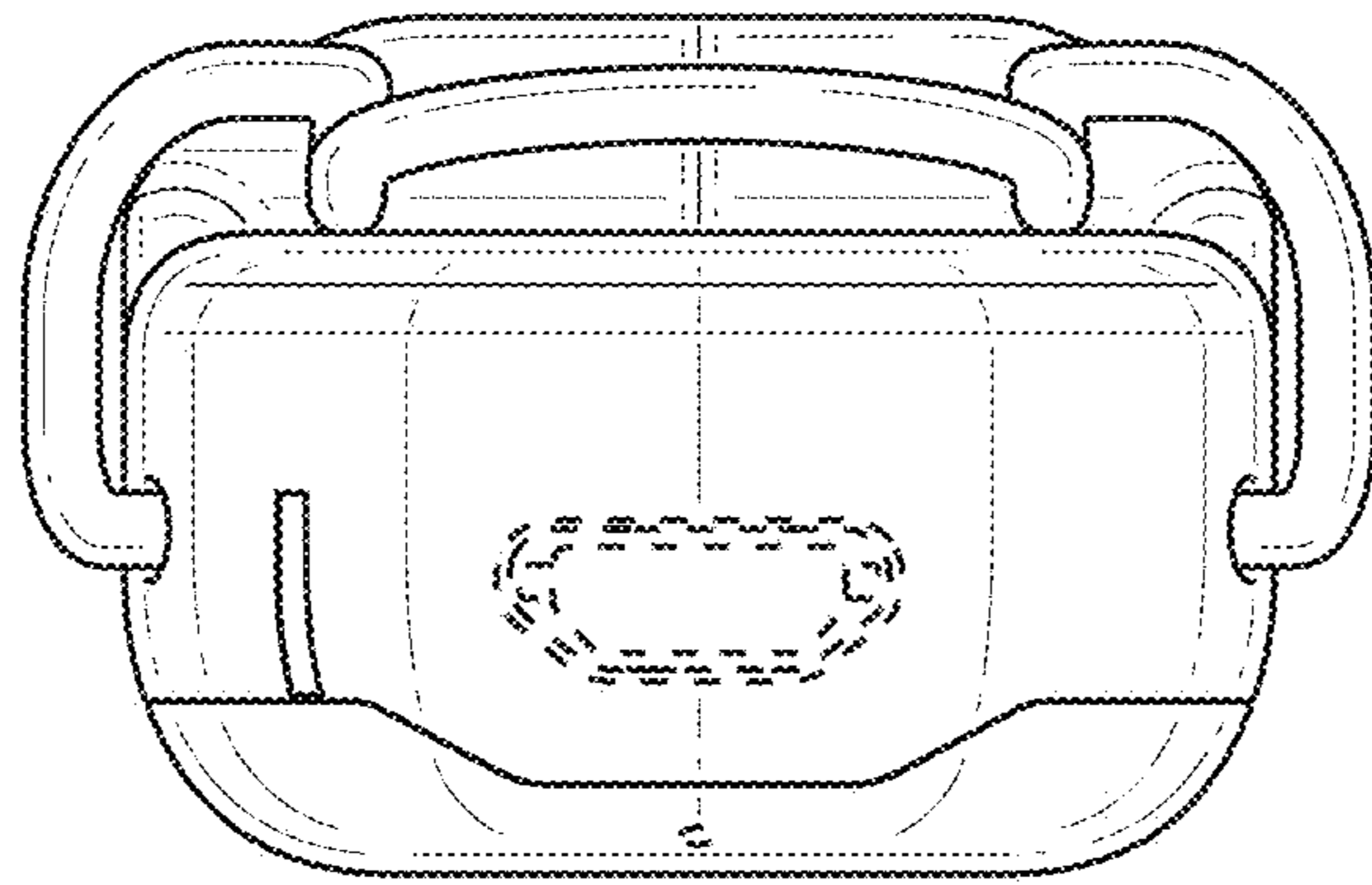


FIG. 8

UNITED STATES PATENT AND TRADEMARK OFFICE
CERTIFICATE OF CORRECTION

PATENT NO. : D910,735 S
APPLICATION NO. : 29/681243
DATED : February 16, 2021
INVENTOR(S) : Yonatan Wexler et al.

Page 1 of 1

It is certified that error appears in the above-identified patent and that said Letters Patent is hereby corrected as shown below:

On the Title Page

Under item (57) Claim, Line 1, "an video" should read as --a video--.

Signed and Sealed this
Seventh Day of June, 2022



Katherine Kelly Vidal
Director of the United States Patent and Trademark Office