



US00D910734S

(12) **United States Design Patent**
Yu

(10) **Patent No.:** **US D910,734 S**

(45) **Date of Patent:** **** Feb. 16, 2021**

(54) **HUNT CAMERA**

(71) Applicant: **ShenZhen Longzhiyuan Technology CO., Ltd., Shenzhen (CN)**

(72) Inventor: **Mengchu Yu, Shenzhen (CN)**

(73) Assignee: **ShenZhen Longzhiyuan Technology CO., Ltd., Shenzhen (CN)**

(**) Term: **15 Years**

(21) Appl. No.: **29/699,830**

(22) Filed: **Jul. 29, 2019**

(30) **Foreign Application Priority Data**

Apr. 12, 2019 (CN) 2019 3 0167267

(51) **LOC (13) Cl.** **16-01**

(52) **U.S. Cl.**
USPC **D16/203; D16/218**

(58) **Field of Classification Search**
USPC D16/200, 202-206, 218, 219, 242;
348/143, 148, 151, 155, 164, 373-376;
396/419, 427, 535, 539-541

CPC G03B 17/02; G03B 19/04; G03B 17/56;
G03B 17/04; G03B 15/03; H04N 5/2251;
H04N 5/2252; H04N 5/2253; H04N
5/2254; H04N 7/181; H04N 7/183; H04N
7/18; G08B 13/1963; G08B 13/19619;
G08B 13/19632; G08B 13/19602; G08B
13/19634; F16M 11/04; F16M 13/00
See application file for complete search history.

(56) **References Cited**

U.S. PATENT DOCUMENTS

7,534,056 B2 * 5/2009 Cross F16M 11/10
348/143
D616,009 S * 5/2010 Schnell D16/218
D628,224 S * 11/2010 Barley D16/203
D653,276 S * 1/2012 Schnell D16/218

D655,735 S * 3/2012 Barley D16/203
D655,736 S * 3/2012 Barley D16/203
D673,991 S * 1/2013 Schnell D16/218
D691,647 S * 10/2013 Ye D16/218
D721,116 S * 1/2015 Schnell D16/219
D735,259 S * 7/2015 Vermaak D16/218
D874,546 S * 2/2020 Yu D16/218
D874,547 S * 2/2020 Yu D16/218
D875,162 S * 2/2020 Yu D16/218

* cited by examiner

Primary Examiner — Ramzi S Almatrahi

(74) *Attorney, Agent, or Firm* — Dragon Sun Law Firm,
PC; Jinggao Li, Esq.

(57) **CLAIM**

The ornamental design for a hunt camera, as shown and described.

DESCRIPTION

FIG. 1 is a bottom and front perspective view of a hunt camera showing my new design;

FIG. 2 is a bottom and rear perspective view thereof;

FIG. 3 is a front view thereof;

FIG. 4 is a rear view thereof;

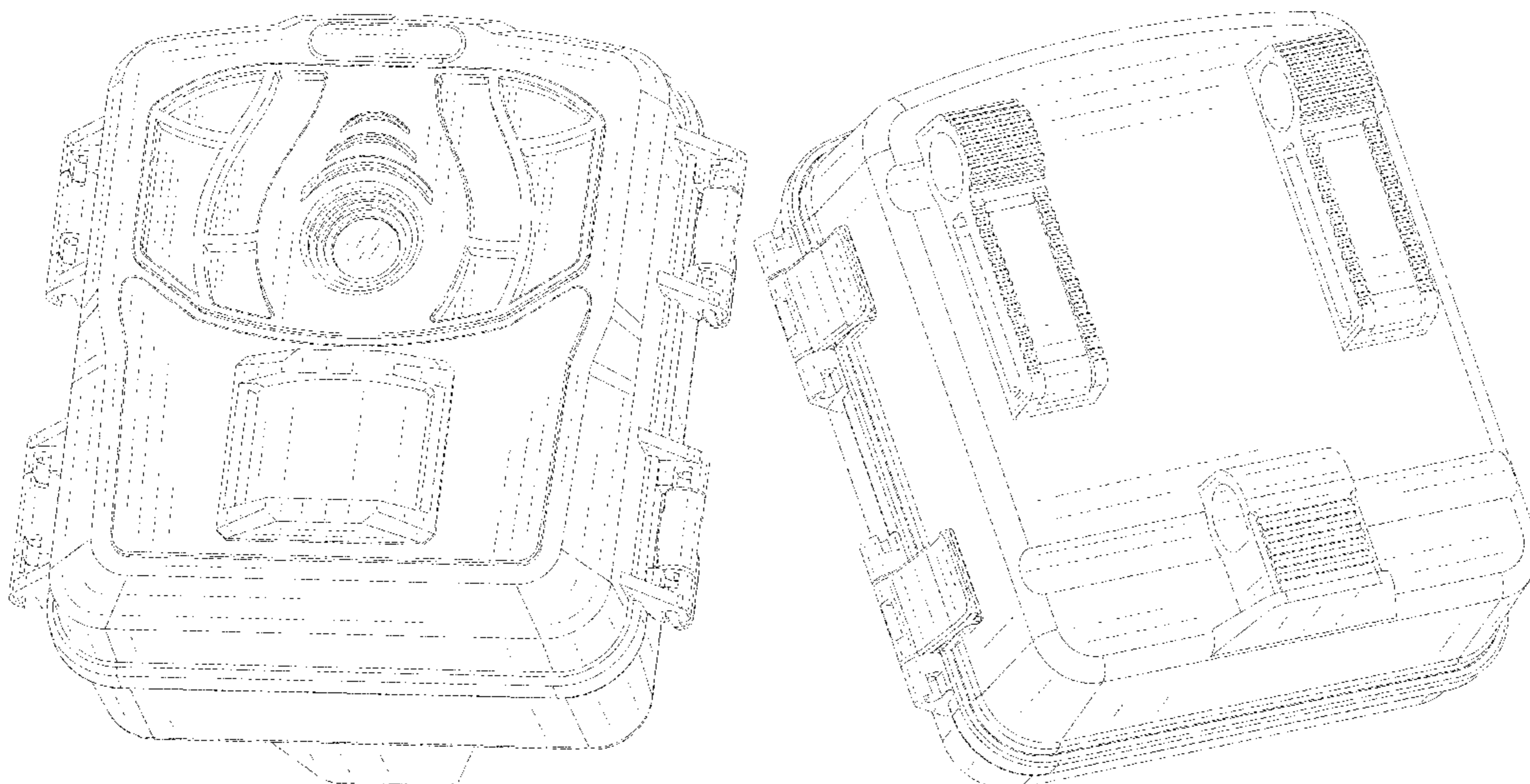
FIG. 5 is a right-side view thereof;

FIG. 6 is a left-side view thereof;

FIG. 7 is a top plan view thereof; and,

FIG. 8 is a bottom plan view thereof.

1 Claim, 8 Drawing Sheets



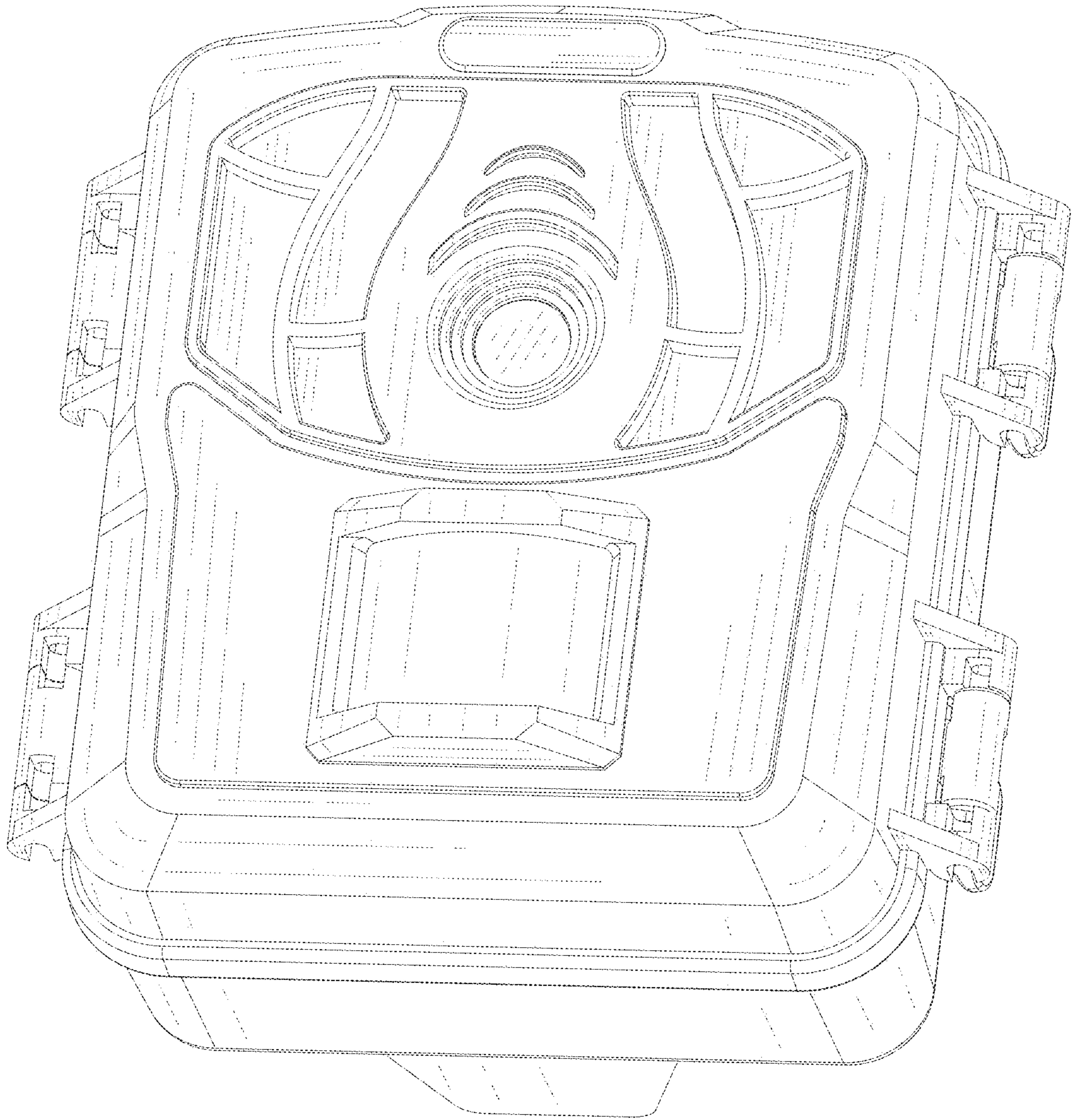


FIG. 1



FIG. 2

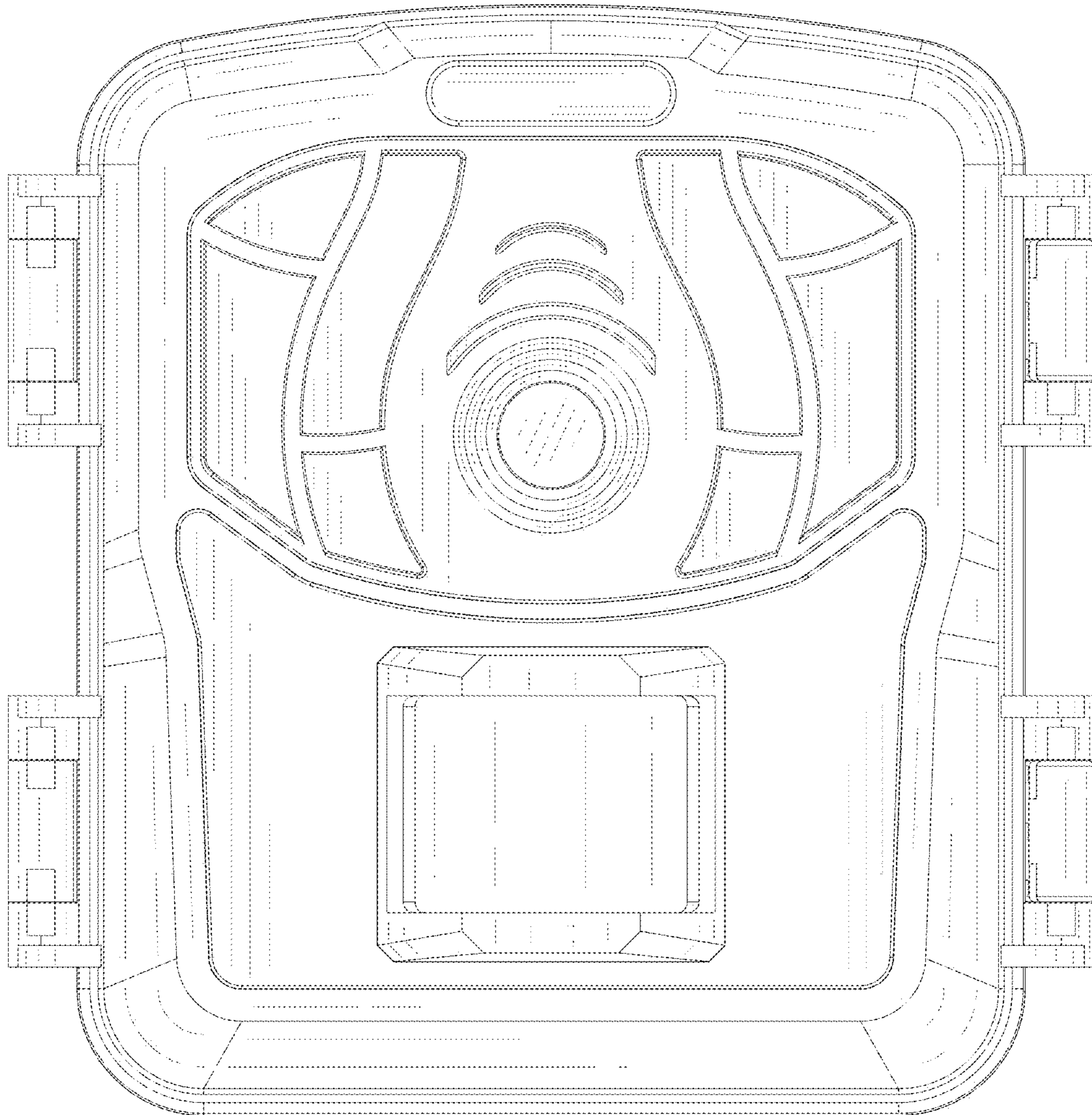


FIG. 3

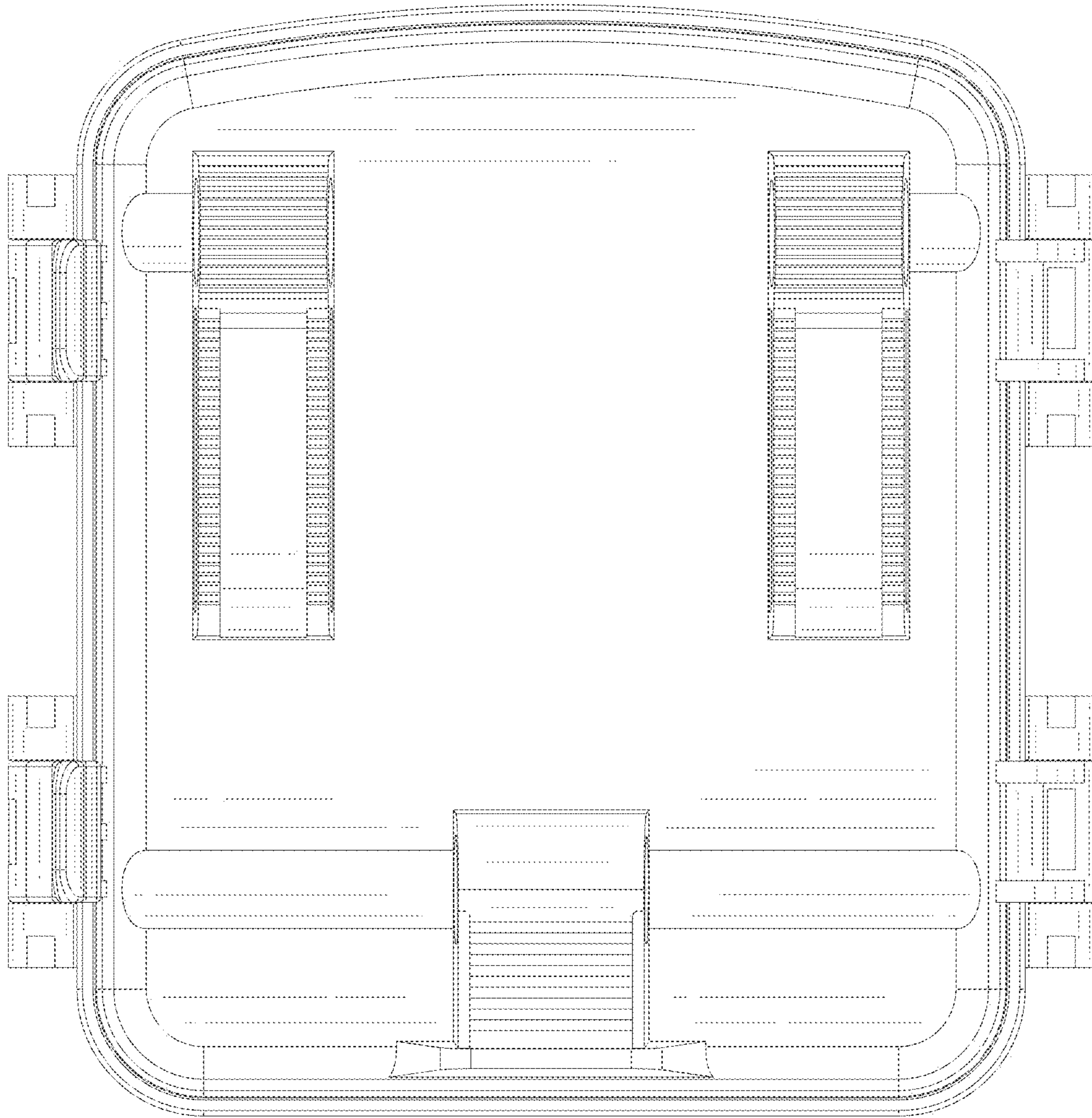


FIG. 4

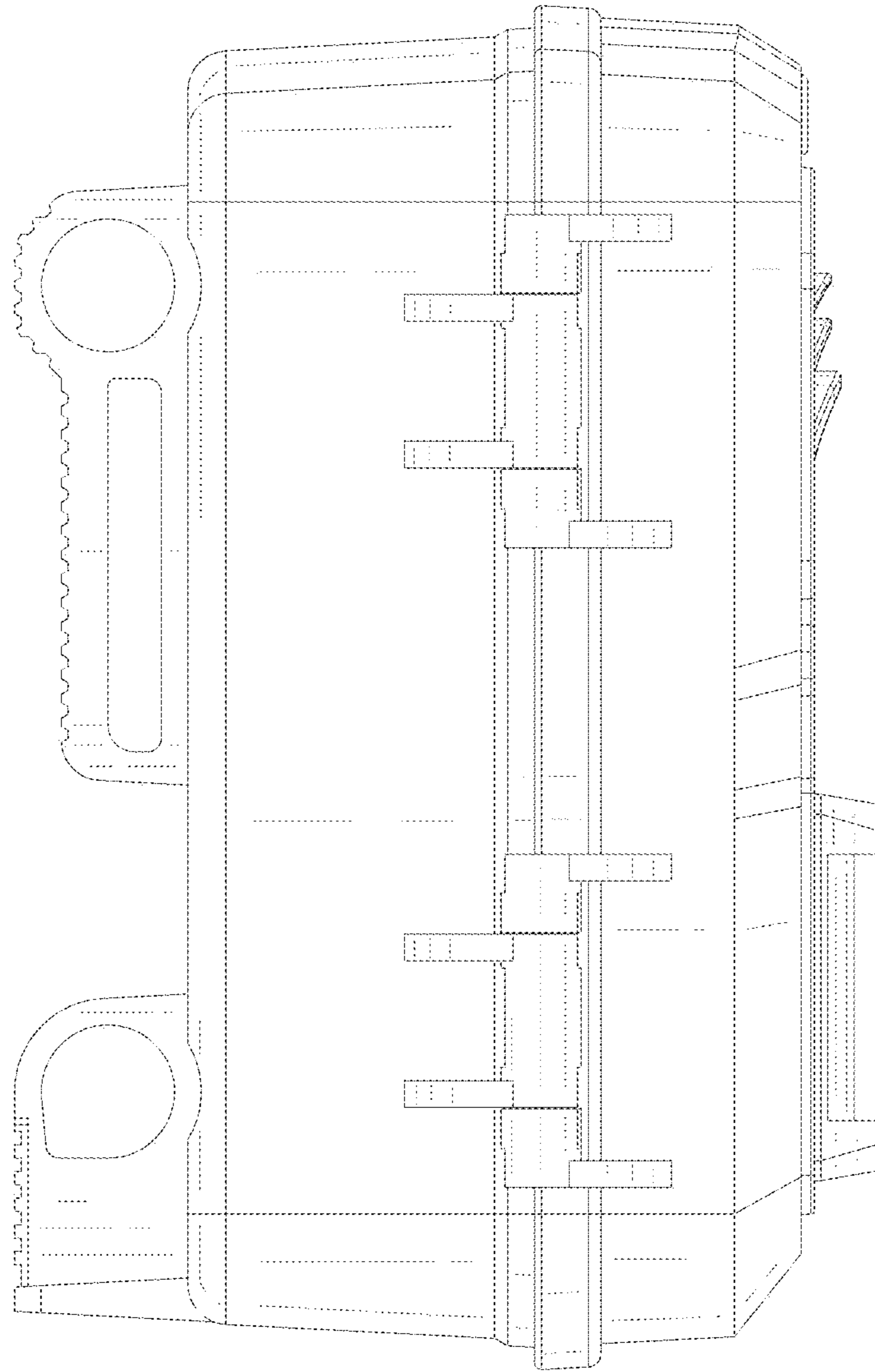


FIG. 5

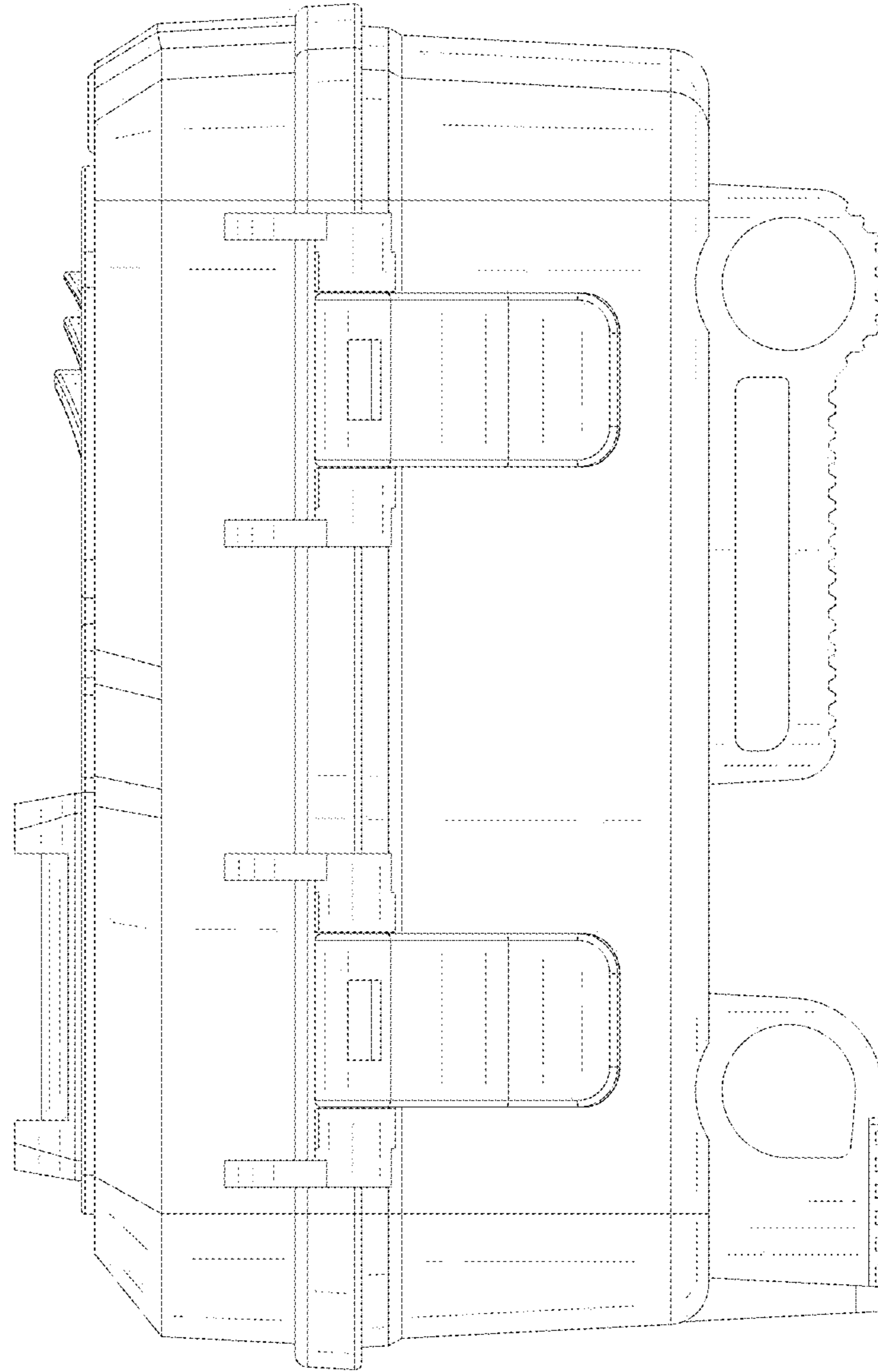


FIG. 6

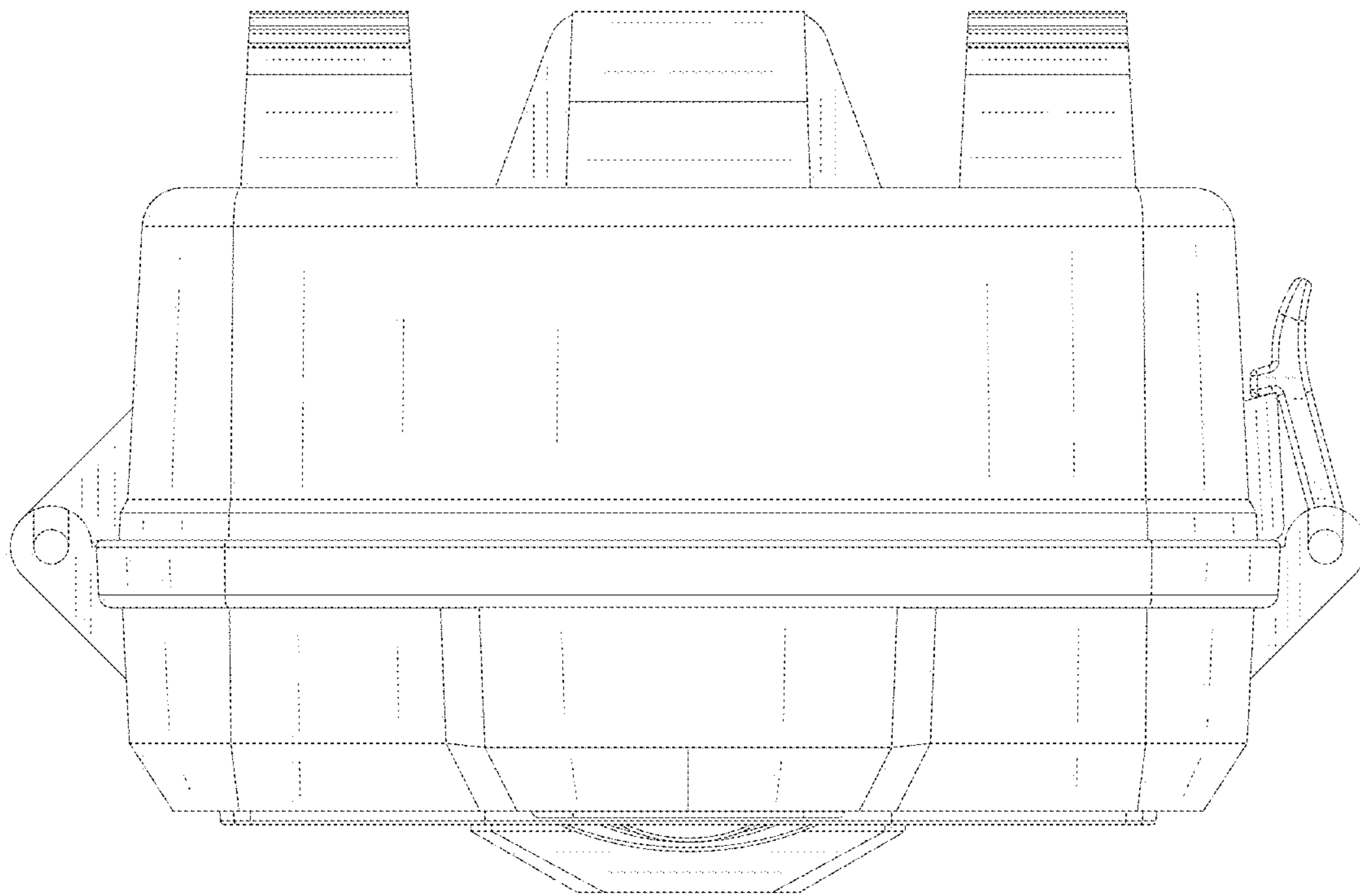


FIG. 7

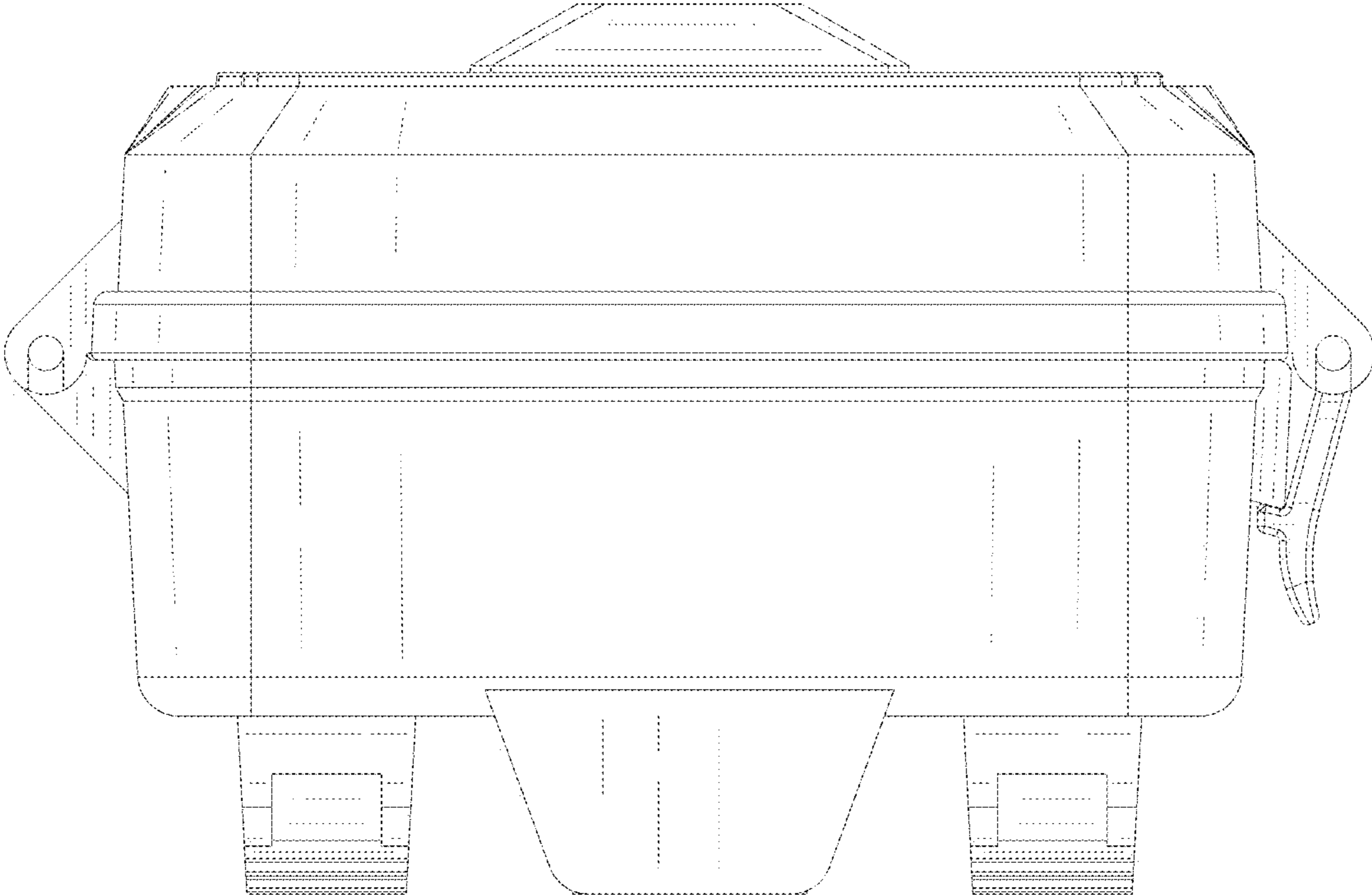


FIG. 8