



US00D910733S

(12) **United States Design Patent** (10) **Patent No.:** **US D910,733 S**
Lennerstedt et al. (45) **Date of Patent:** **** Feb. 16, 2021**

(54) **MONITORING CAMERA**

(71) Applicant: **AXIS AB**, Lund (SE)

(72) Inventors: **Malte Lennerstedt**, Lund (SE); **Anna Papee**, Lund (SE); **Mathias Walter**, Lund (SE); **Mariano Vozzi**, Lund (SE); **Jonas Sjogren**, Lund (SE); **Sebastian Lundblad**, Lund (SE)

(73) Assignee: **AXIS AB**, Lund (SE)

(**) Term: **15 Years**

(21) Appl. No.: **29/699,119**

(22) Filed: **Jul. 23, 2019**

(30) **Foreign Application Priority Data**

Jan. 30, 2019 (EM) 006124574-0001
Jan. 30, 2019 (EM) 006124574-0002
Jan. 30, 2019 (EM) 006124574-0003

(51) **LOC (13) Cl.** **16-01**

(52) **U.S. Cl.**
USPC **D16/203**

(58) **Field of Classification Search**

USPC D16/200, 202–206, 218, 219, 242;
348/143, 148, 151, 373–376; 396/419,
396/427, 535, 539–541
CPC G03B 17/02; G03B 19/04; G03B 17/56;
G03B 17/04; G03B 15/03; H04N 5/2251;
H04N 5/2252; H04N 5/2253; H04N
5/2254; H04N 7/181; H04N 7/183; H04N
7/18; G08B 13/1963; G08B 13/19619;
G08B 13/19632; F16M 11/04; F16M
13/00

See application file for complete search history.

(56) **References Cited**

U.S. PATENT DOCUMENTS

D554,172 S * 10/2007 Yoneji D16/203
D606,105 S * 12/2009 Hinkel D16/203

D661,719 S * 6/2012 Katori D16/203
D837,274 S 1/2019 Ainetoft et al.
D841,074 S 2/2019 Ainetoft et al.
D842,914 S 3/2019 Ainetoft et al.
D863,399 S * 10/2019 Li D16/203
D873,885 S * 1/2020 Rusz D16/203
D873,886 S * 1/2020 Rusz D16/203
D873,887 S * 1/2020 Rusz D16/203
D882,664 S * 4/2020 Tang D16/203
D887,474 S * 6/2020 Yeh D16/203
2016/0144798 A1 * 5/2016 Yoshikuni B60R 11/04
348/148

* cited by examiner

Primary Examiner — Ramzi S Almatrahi

(74) *Attorney, Agent, or Firm* — Volpe Koenig

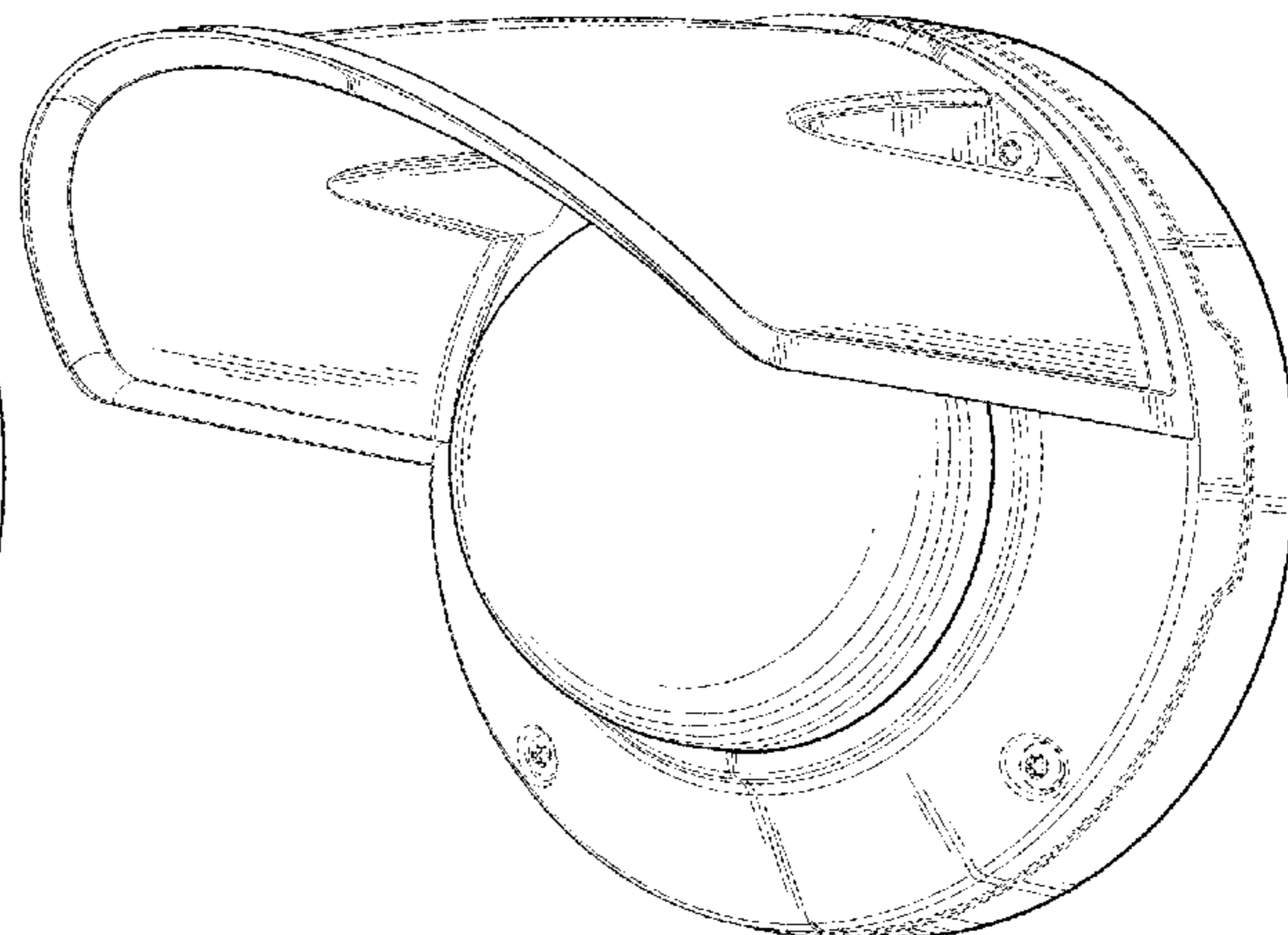
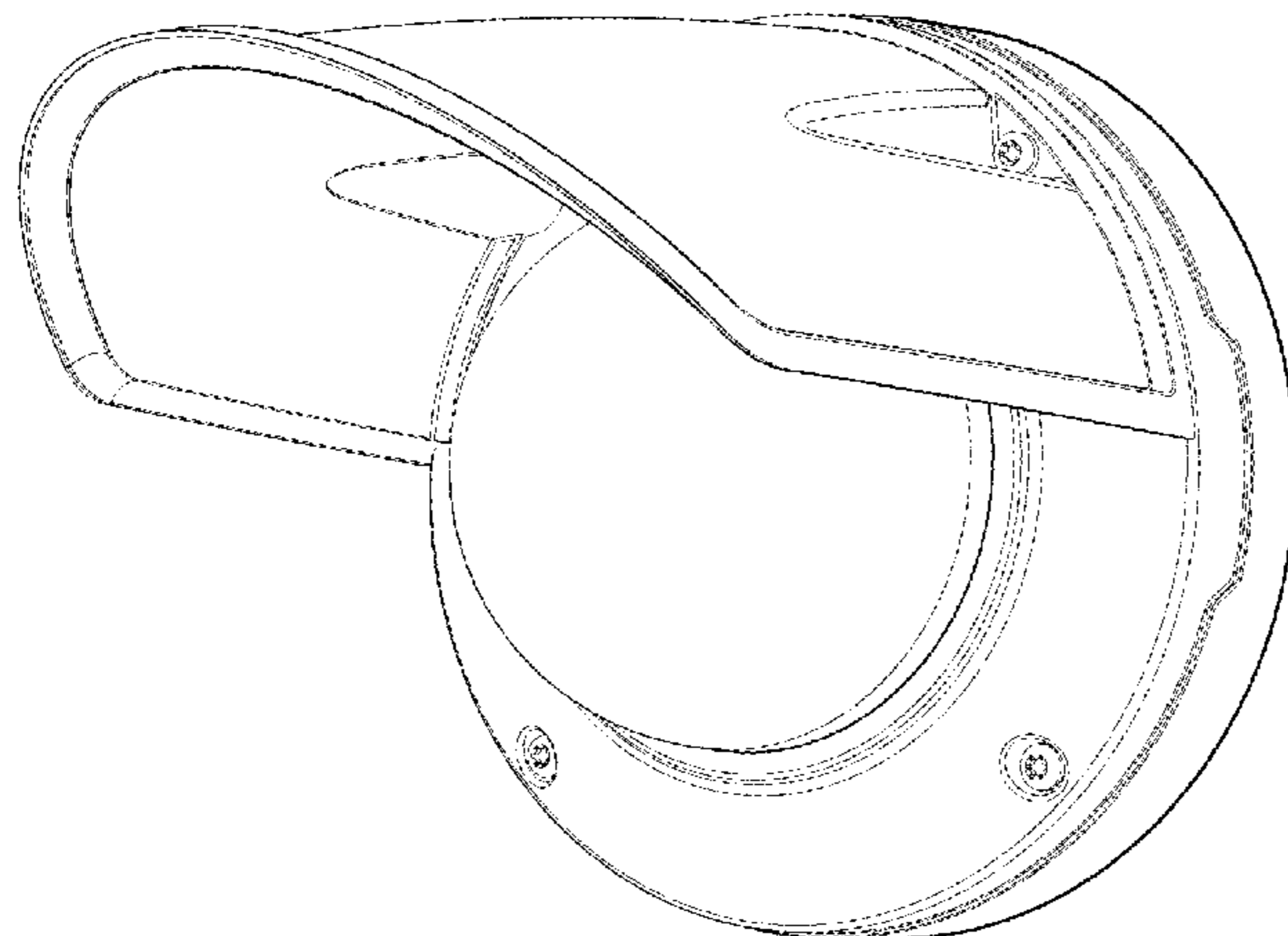
(57) **CLAIM**

The ornamental design for a monitoring camera, as shown and described.

DESCRIPTION

FIG. 1 is a perspective view of a first embodiment of a monitoring camera in accordance with our design;
FIG. 2 is a front elevational view thereof;
FIG. 3 is a bottom plan view thereof;
FIG. 4 is a top plan view thereof;
FIG. 5 is a left side elevational view thereof;
FIG. 6 is a rear elevational view thereof; and
FIG. 7 is a right side elevational view thereof;
FIG. 8 is a perspective view of a second embodiment of a monitoring camera in accordance with our design;
FIG. 9 is a front elevational view thereof;
FIG. 10 is a bottom plan view thereof;
FIG. 11 is a top plan view thereof;
FIG. 12 is a left side elevational view thereof;
FIG. 13 is a rear elevational view thereof; and
FIG. 14 is a right side elevational view thereof.
The broken lines represent portions of the monitoring camera that form no part of the claimed design.

1 Claim, 14 Drawing Sheets



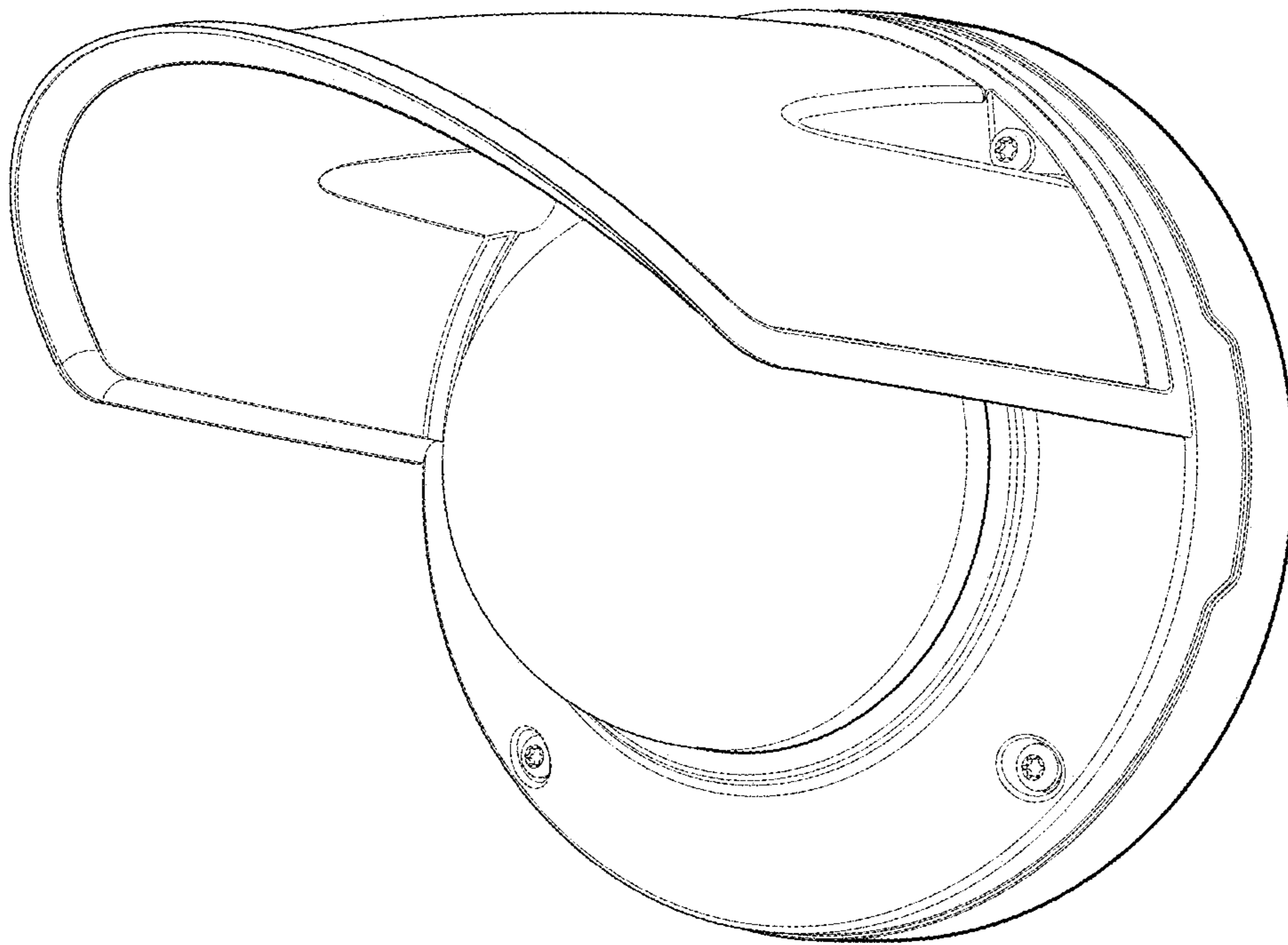


Fig. 1

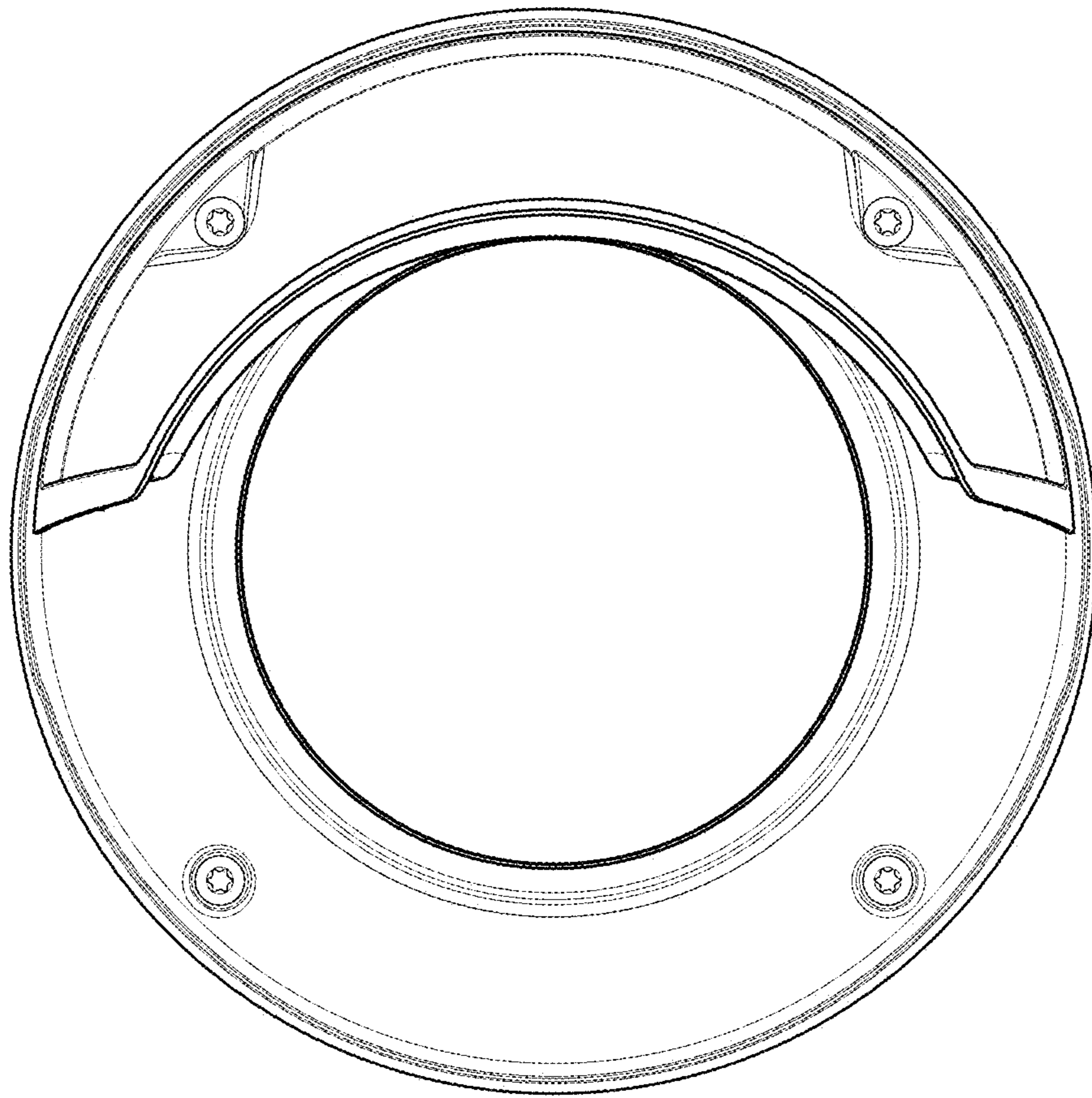


Fig. 2

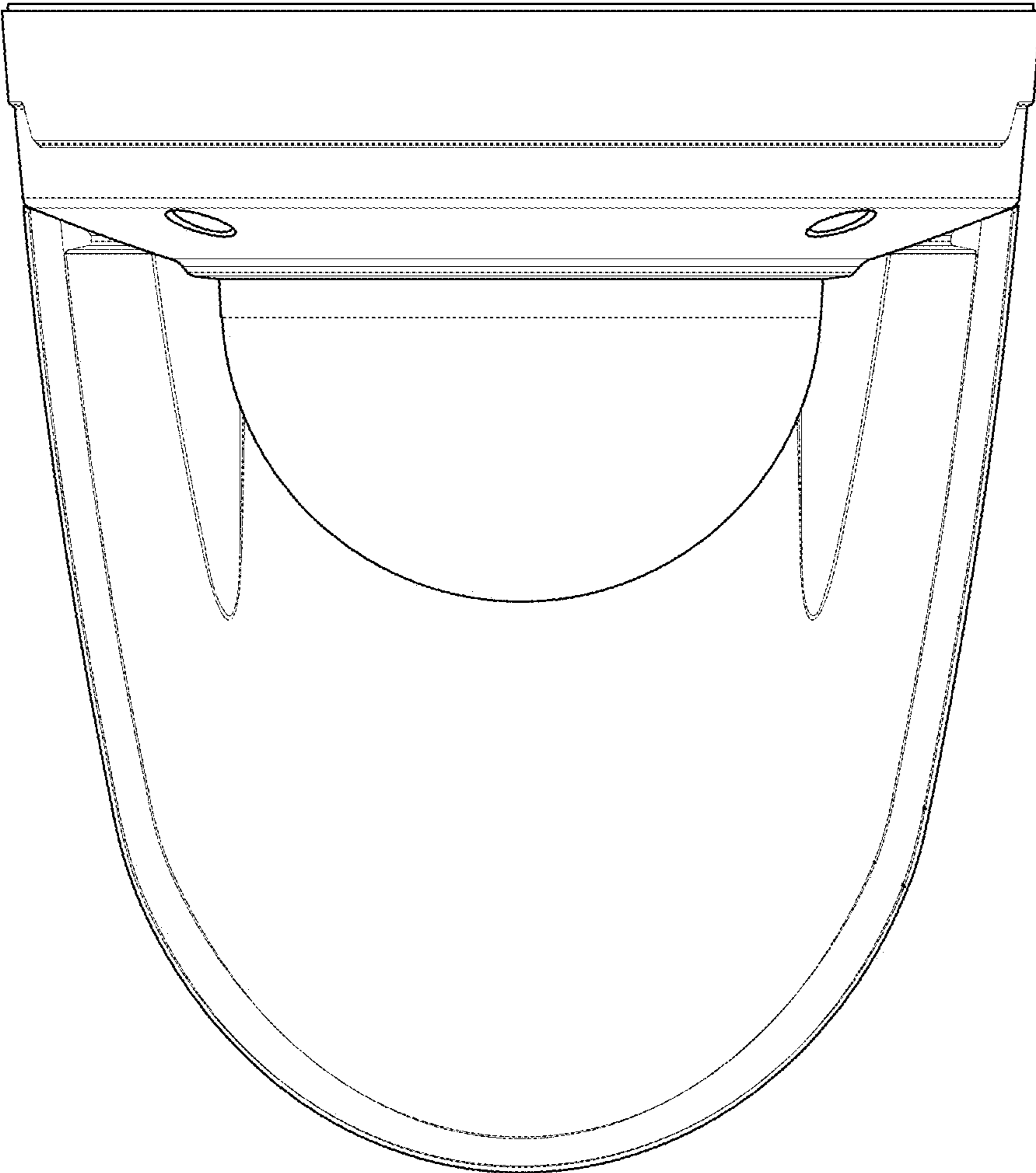


Fig. 3

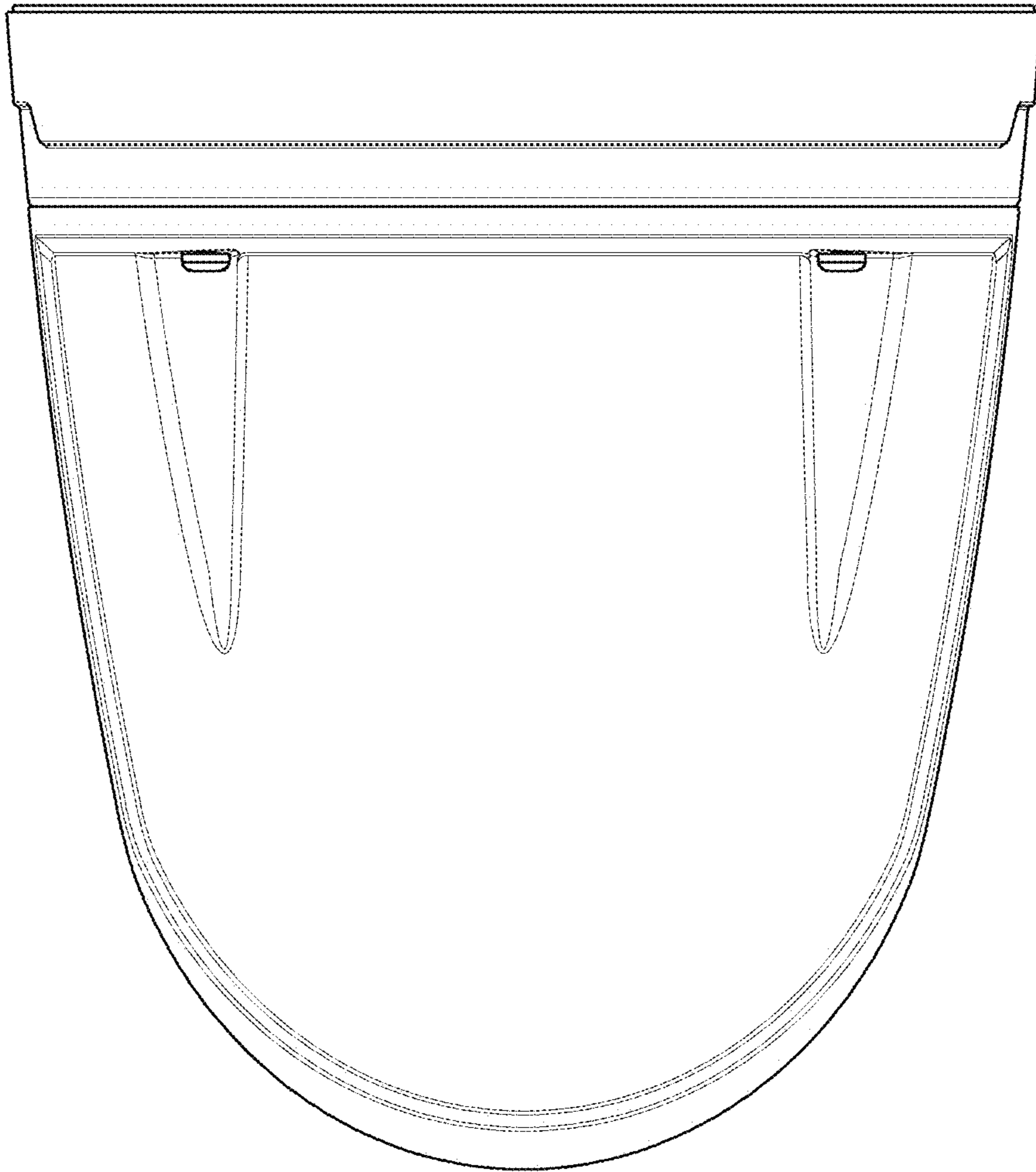


Fig. 4

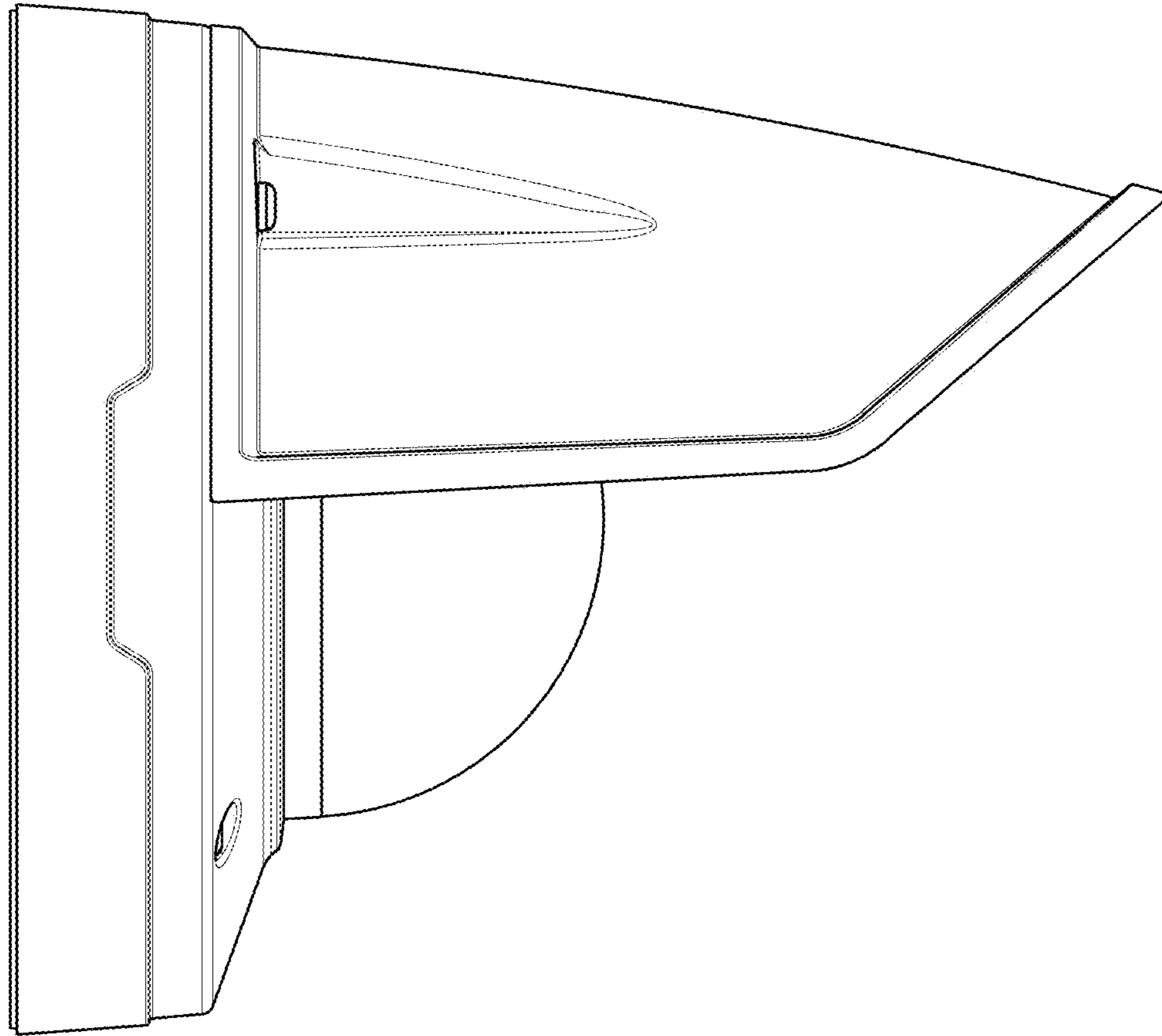


Fig. 5

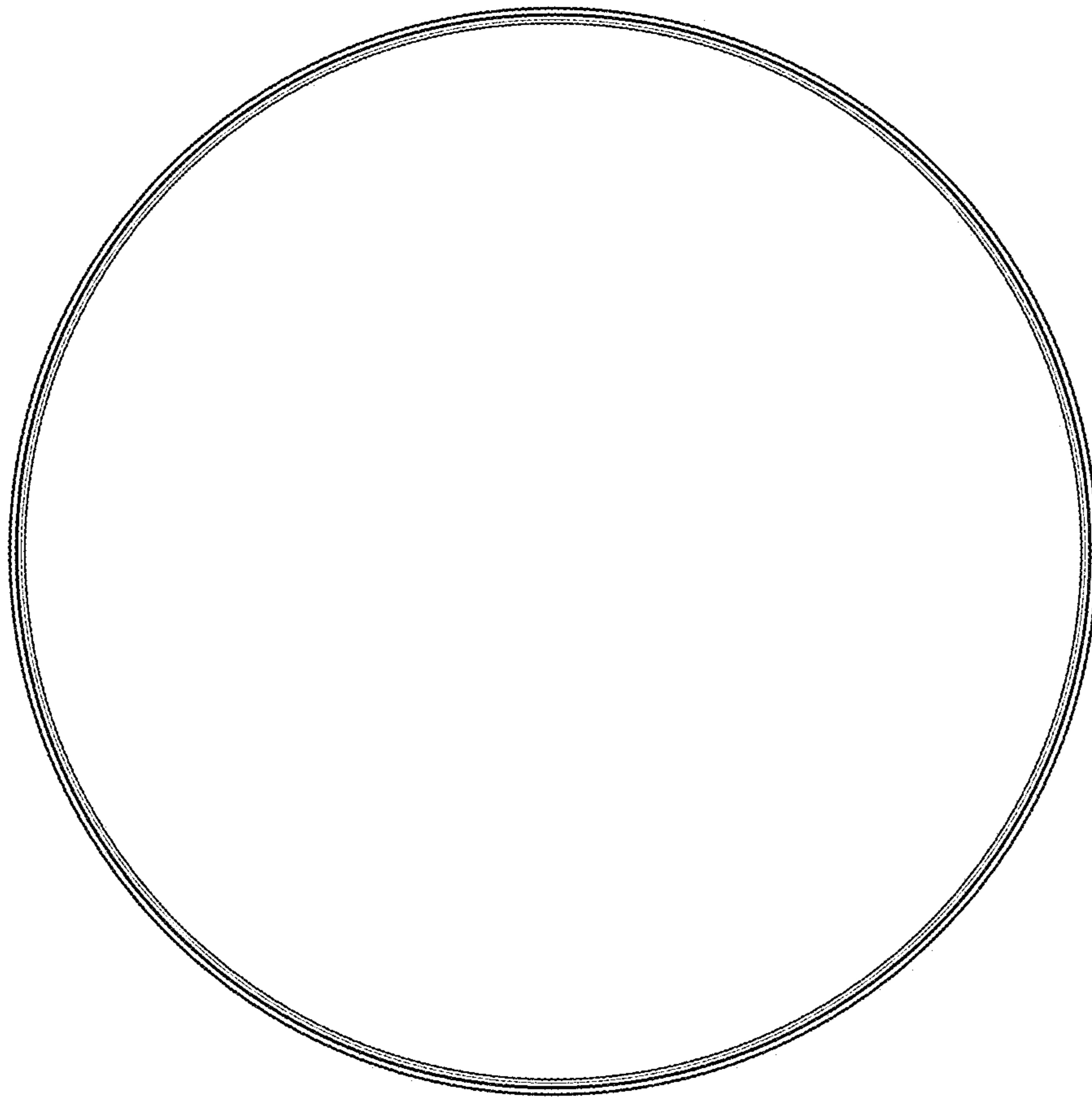


Fig. 6

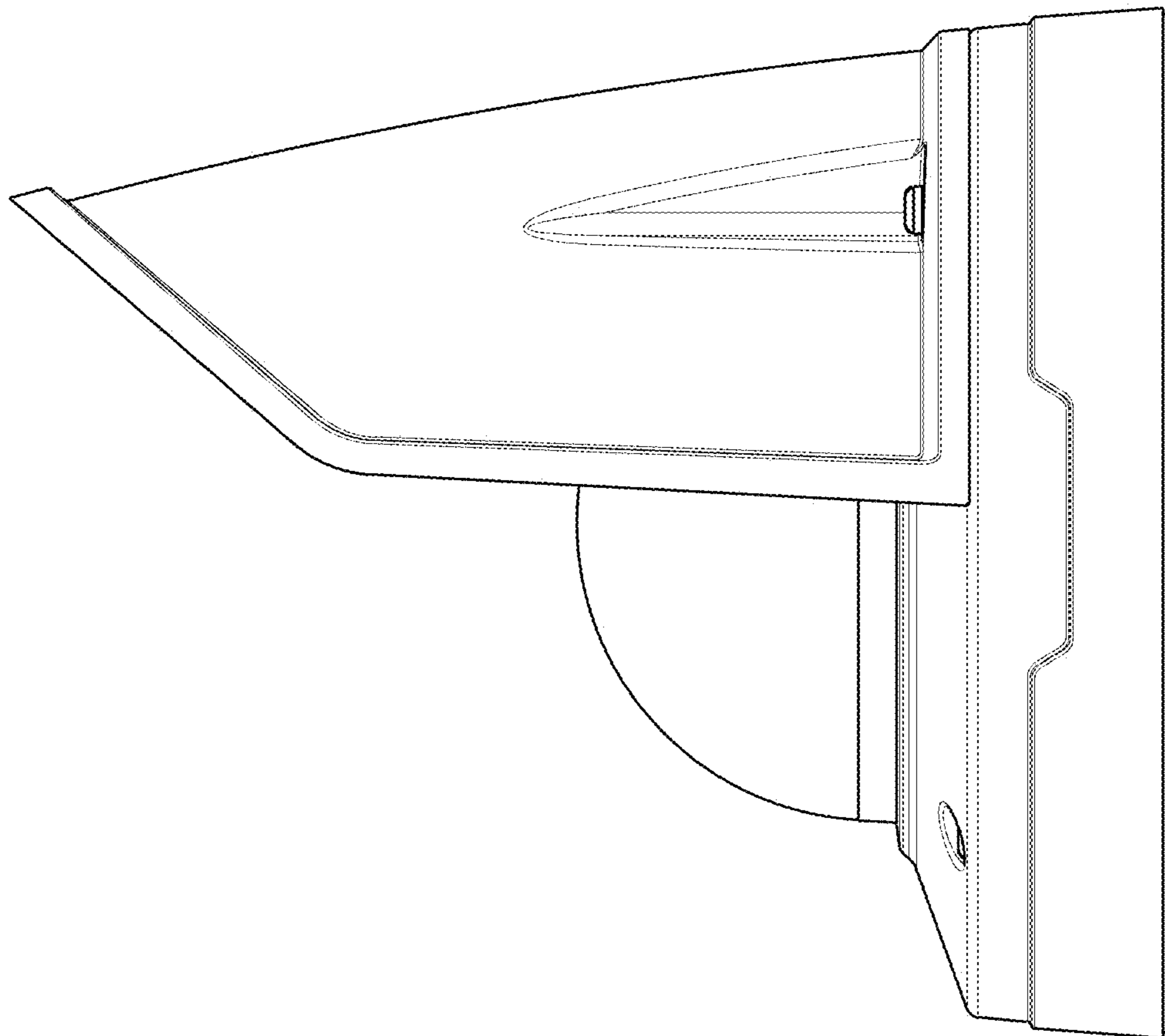


Fig. 7

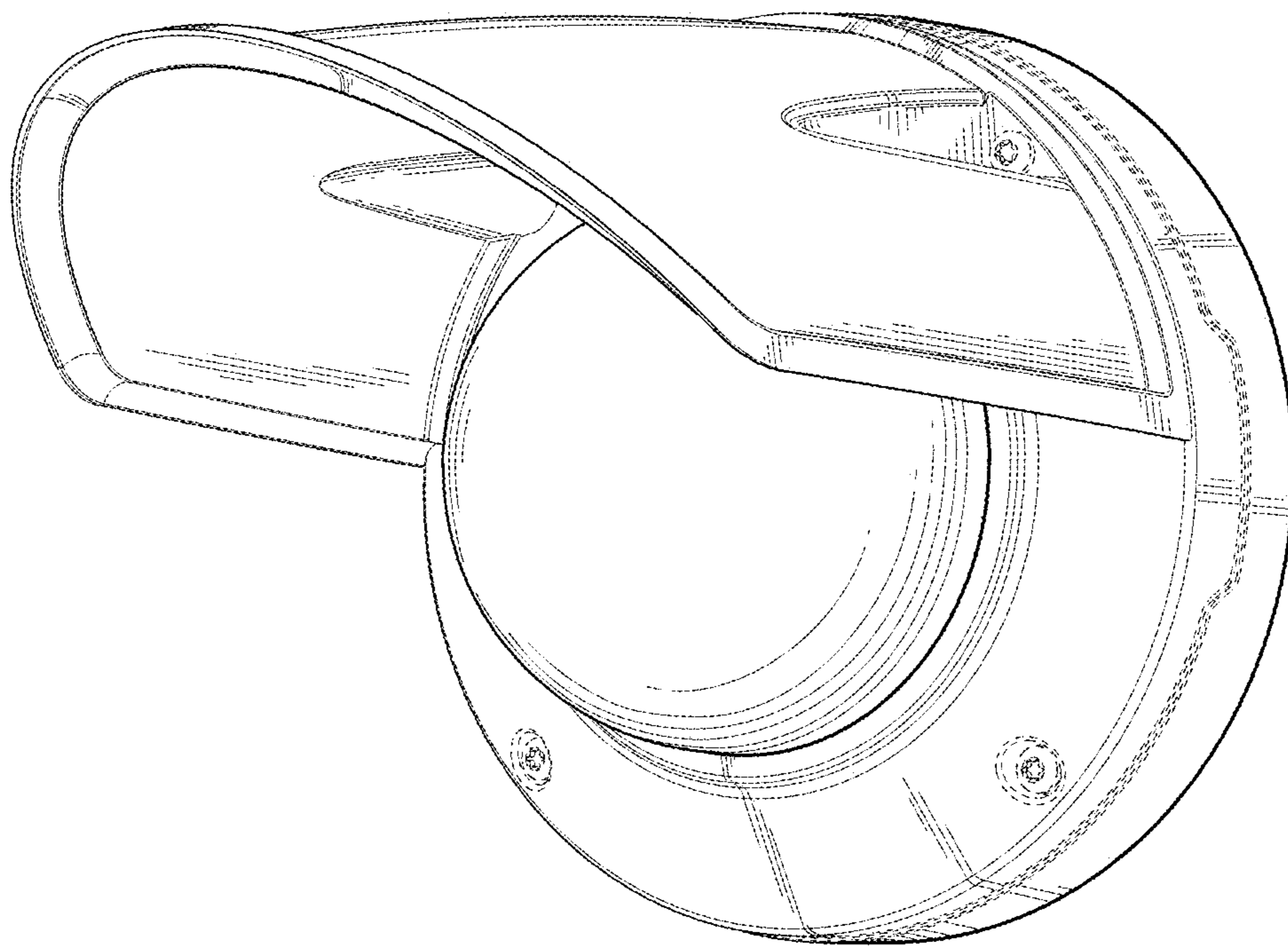


Fig. 8

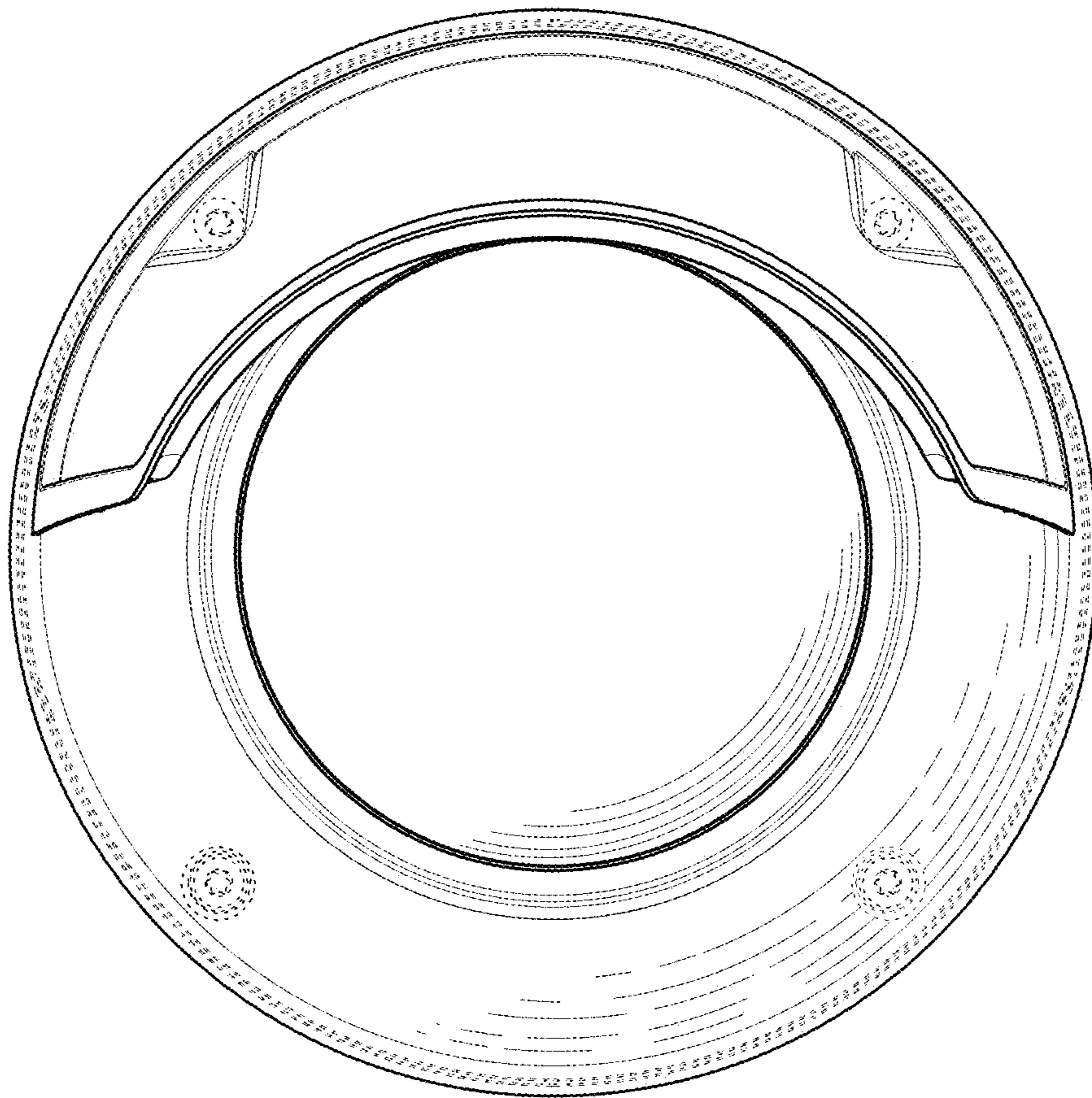


Fig. 9

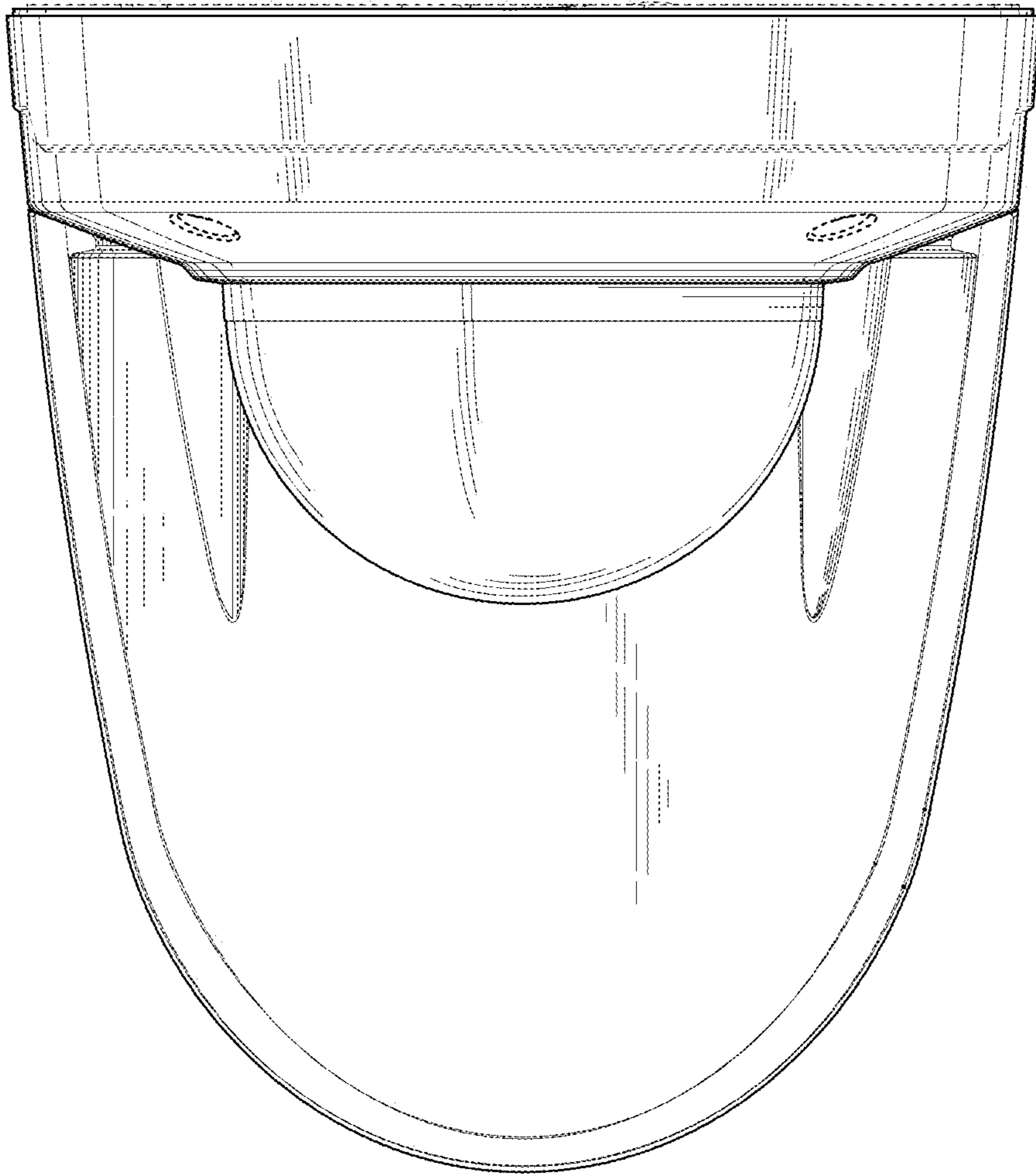


Fig. 10

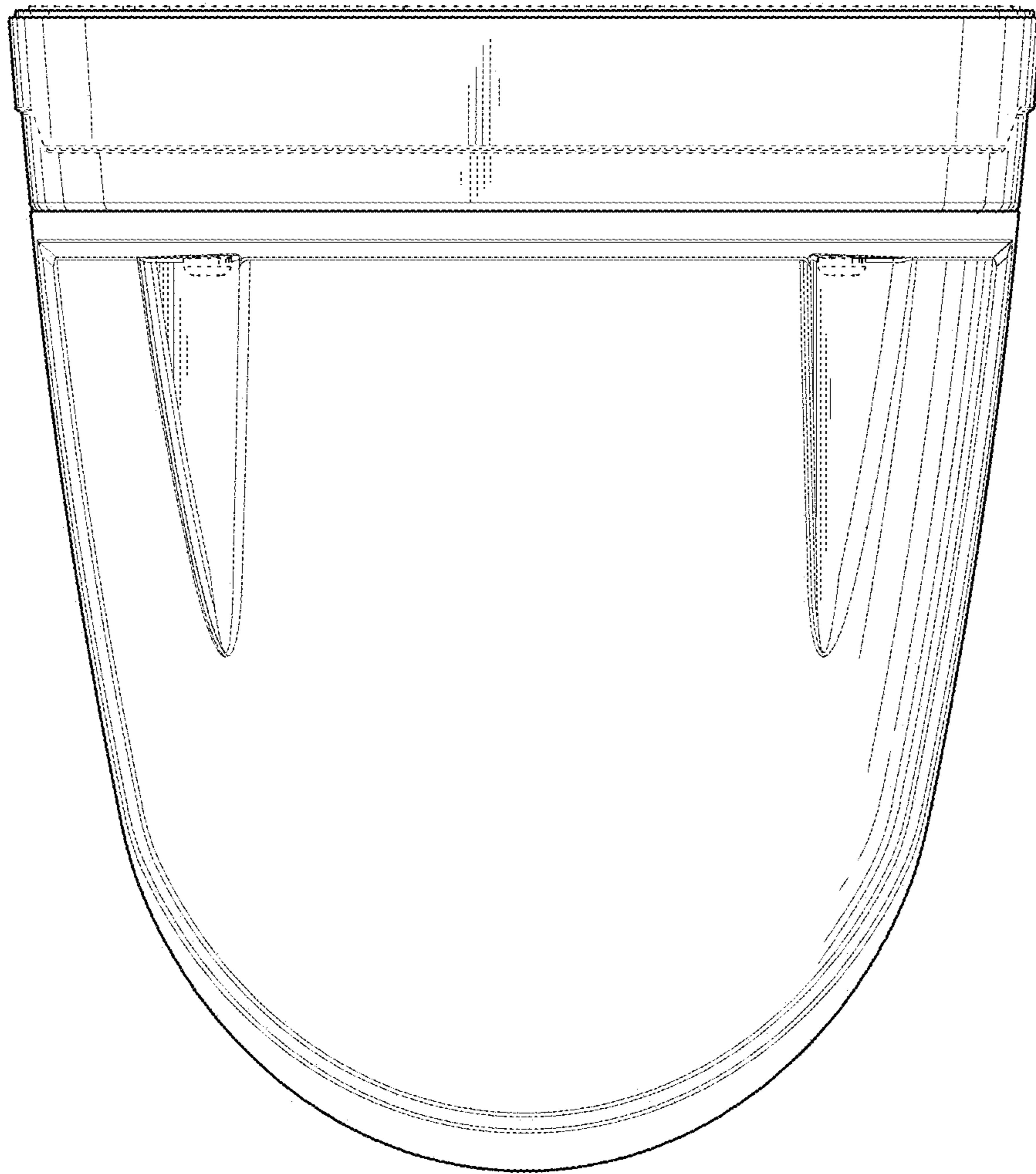


Fig. 11

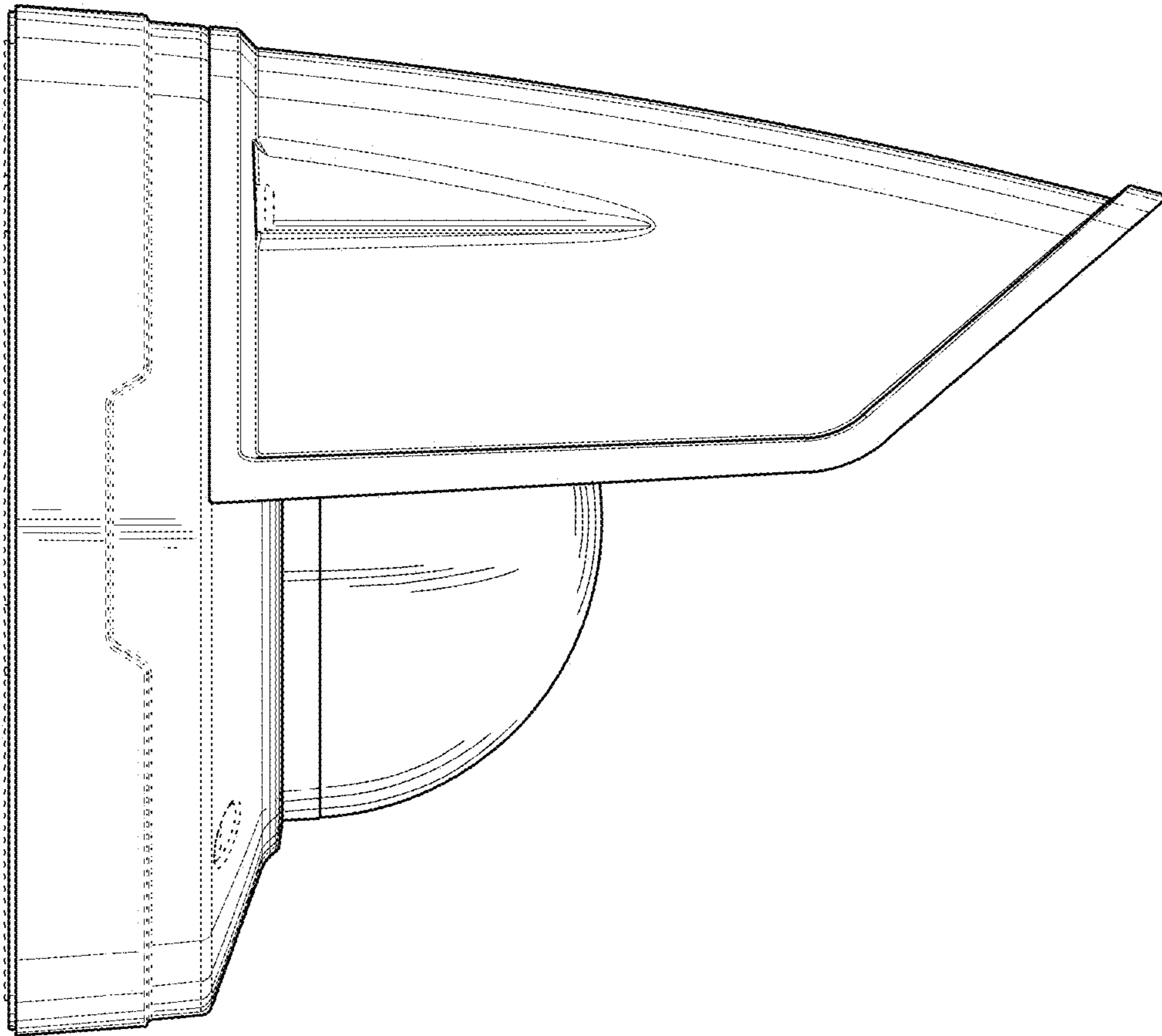


Fig. 12

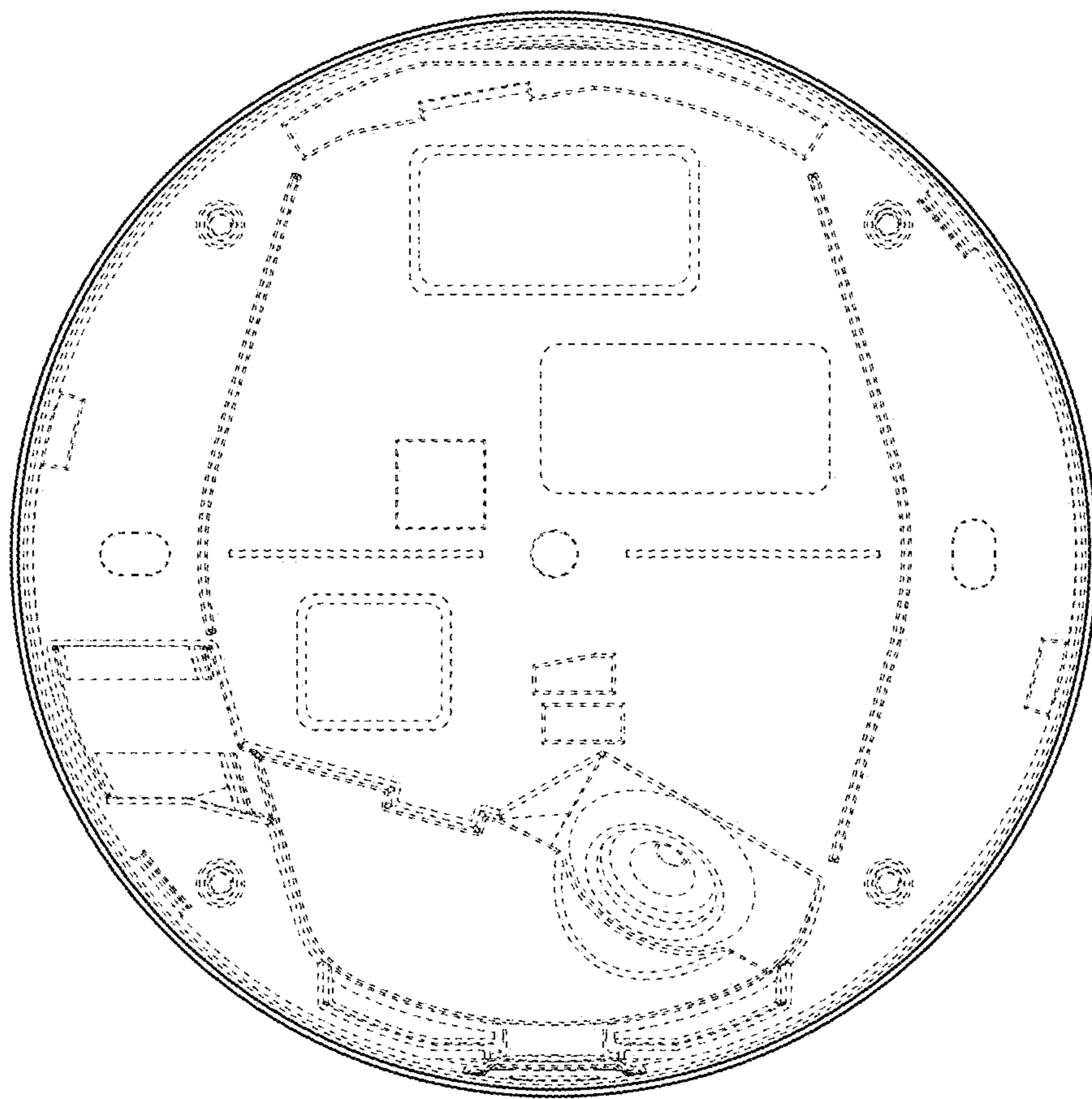


Fig. 13

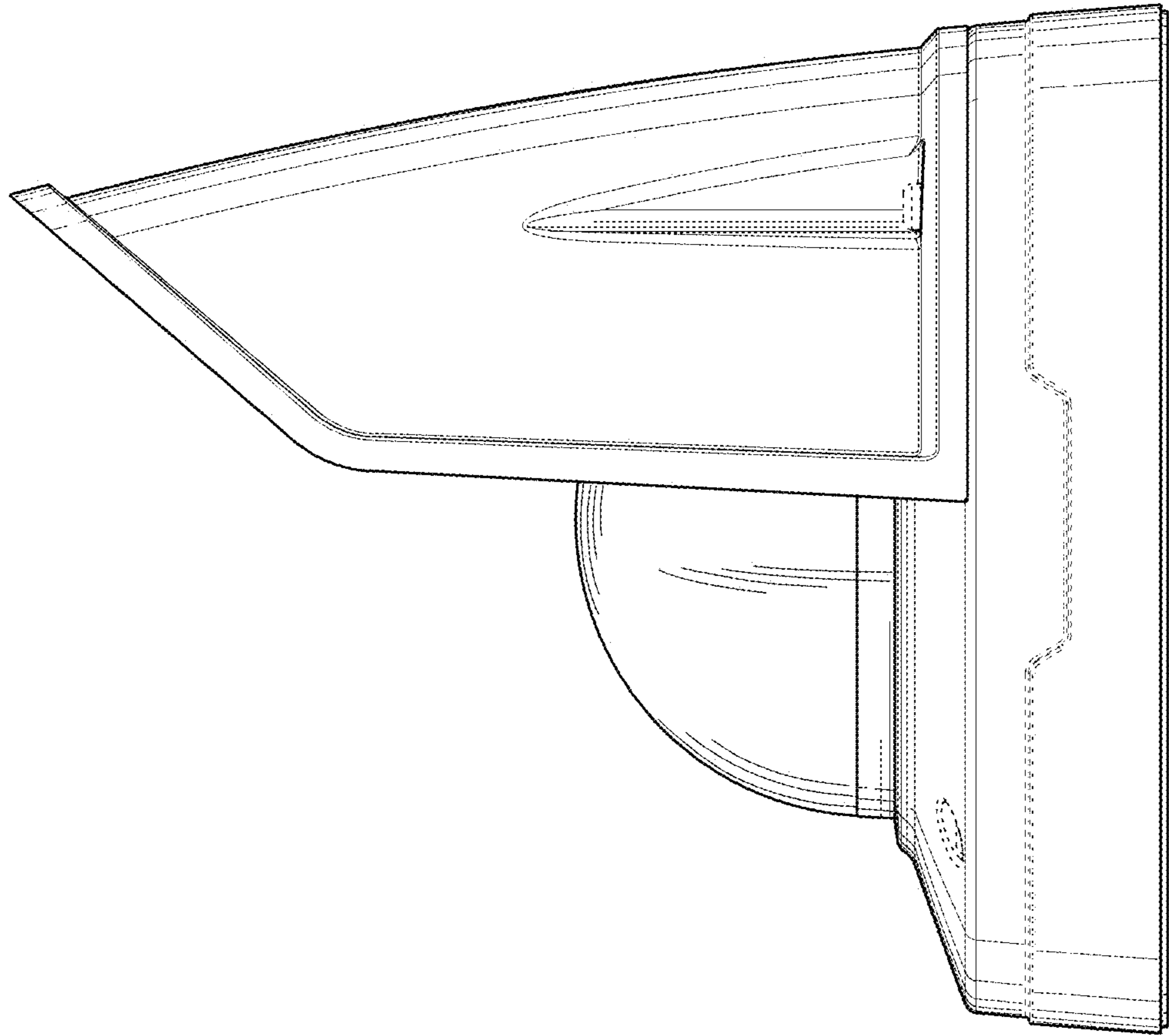


Fig. 14