



US00D910732S

(12) **United States Design Patent** (10) **Patent No.:** **US D910,732 S**
Rosenkvist et al. (45) **Date of Patent:** **** Feb. 16, 2021**

(54) **MONITORING CAMERA**

(71) Applicant: **AXIS AB**, Lund (SE)

(72) Inventors: **Alexander Rosenkvist**, Sjobo (SE);
Sebastian Engwall, Lund (SE); **Louise Wiberg**, Malmö (SE); **Markus Carlsson**, Lund (SE)

(73) Assignee: **AXIS AB**, Lund (SE)

(**) Term: **15 Years**

(21) Appl. No.: **29/697,481**

(22) Filed: **Jul. 9, 2019**

(30) **Foreign Application Priority Data**

Jan. 30, 2019 (EM) 006125027-0001
Jan. 30, 2019 (EM) 006125027-0002
Jan. 30, 2019 (EM) 006125027-0003
Jan. 30, 2019 (EM) 006125027-0004

(51) **LOC (13) Cl.** **16-01**

(52) **U.S. Cl.**
USPC **D16/203**

(58) **Field of Classification Search**
USPC D16/200, 202–206, 218, 219, 242;
348/143, 148, 151, 373–376; 396/419,
396/427, 535, 539–541
CPC G03B 17/02; G03B 19/04; G03B 17/56;
G03B 17/04; G03B 15/03; H04N 5/2251;
H04N 5/2252; H04N 5/2253; H04N
5/2254; H04N 7/181; H04N 7/183; H04N
7/18; G08B 13/1963; G08B 13/19619;
G08B 13/19632; F16M 11/04; F16M
13/00

See application file for complete search history.

(56) **References Cited**

U.S. PATENT DOCUMENTS

D741,933 S * 10/2015 Bergstrom D16/203
D812,670 S * 3/2018 Andersson D16/203

D827,013 S * 8/2018 Ahman D16/203
D834,632 S * 11/2018 Ahman D16/203
D835,697 S * 12/2018 Andersson D16/203
D849,093 S * 5/2019 Bull D16/203
D849,097 S * 5/2019 Bull D16/203
D876,510 S * 2/2020 Garre D16/203
D876,512 S * 2/2020 Garre D16/203
D885,457 S * 5/2020 Vozzi D16/203
D885,458 S * 5/2020 Vozzi D16/203
D885,460 S * 5/2020 Vozzi D16/203
D900,908 S * 11/2020 Vozzi D16/203

FOREIGN PATENT DOCUMENTS

EM 000860234-0001 1/2008
EM 000860234-0002 1/2008
EM 000860234-0003 1/2008
EM 002655027-0001 3/2015
EM 002655027-0002 3/2015
EM 003421262-0001 10/2016

(Continued)

Primary Examiner — Ramzi S Almatrahi

(74) *Attorney, Agent, or Firm* — Volpe Koenig

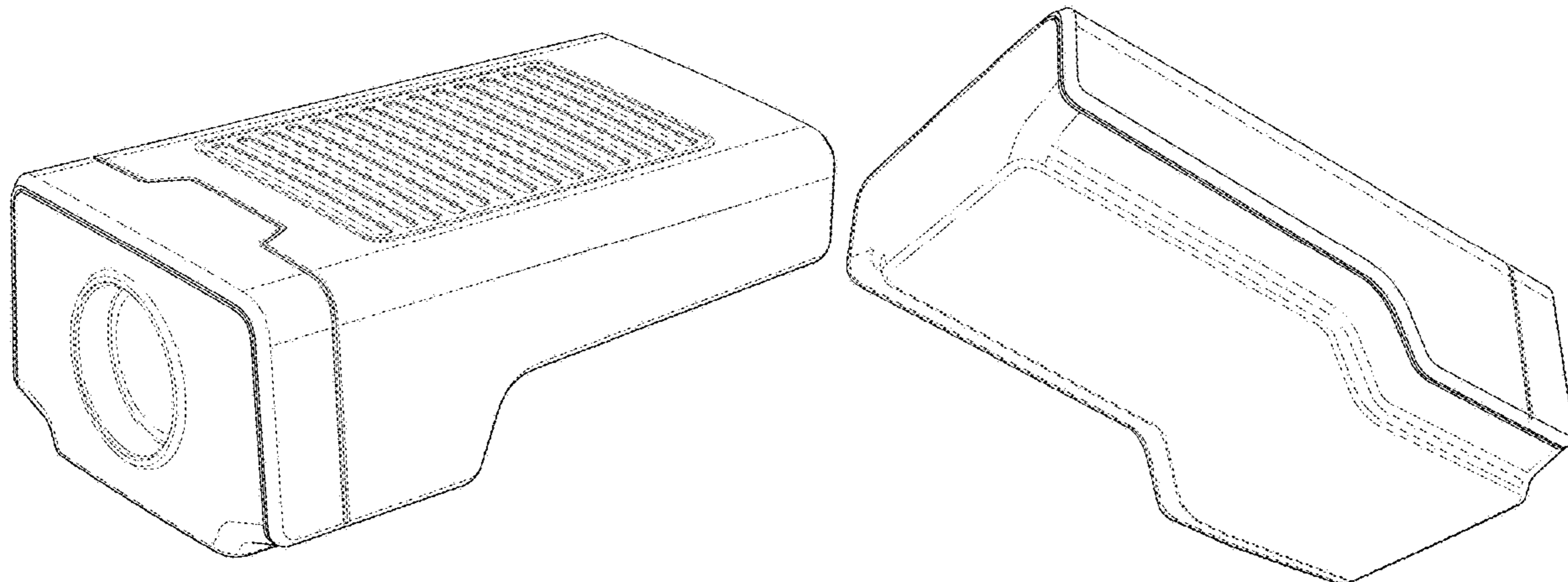
(57) **CLAIM**

The ornamental design for a monitoring camera, as shown and described.

DESCRIPTION

FIG. 1 is a top, front, right perspective view of a monitoring camera in accordance with our design;
FIG. 2 is a bottom, rear, left perspective view thereof;
FIG. 3 is a front elevational view thereof;
FIG. 4 is a top plan view thereof;
FIG. 5 is a right side elevational view thereof;
FIG. 6 is a bottom plan view thereof;
FIG. 7 is a rear elevational view thereof; and,
FIG. 8 is a left side elevational view thereof.

1 Claim, 4 Drawing Sheets



(56)

References Cited

FOREIGN PATENT DOCUMENTS

EM	003421262-0002	10/2016
EM	003421262-0003	10/2016
EM	005287315-0001	5/2018
EM	005287315-0002	5/2018
EM	005287315-0003	5/2018
EM	005287315-0004	5/2018
TW	D173898	2/2016
TW	D180747	1/2017
TW	D181783	3/2017
TW	D1187033	12/2017

* cited by examiner

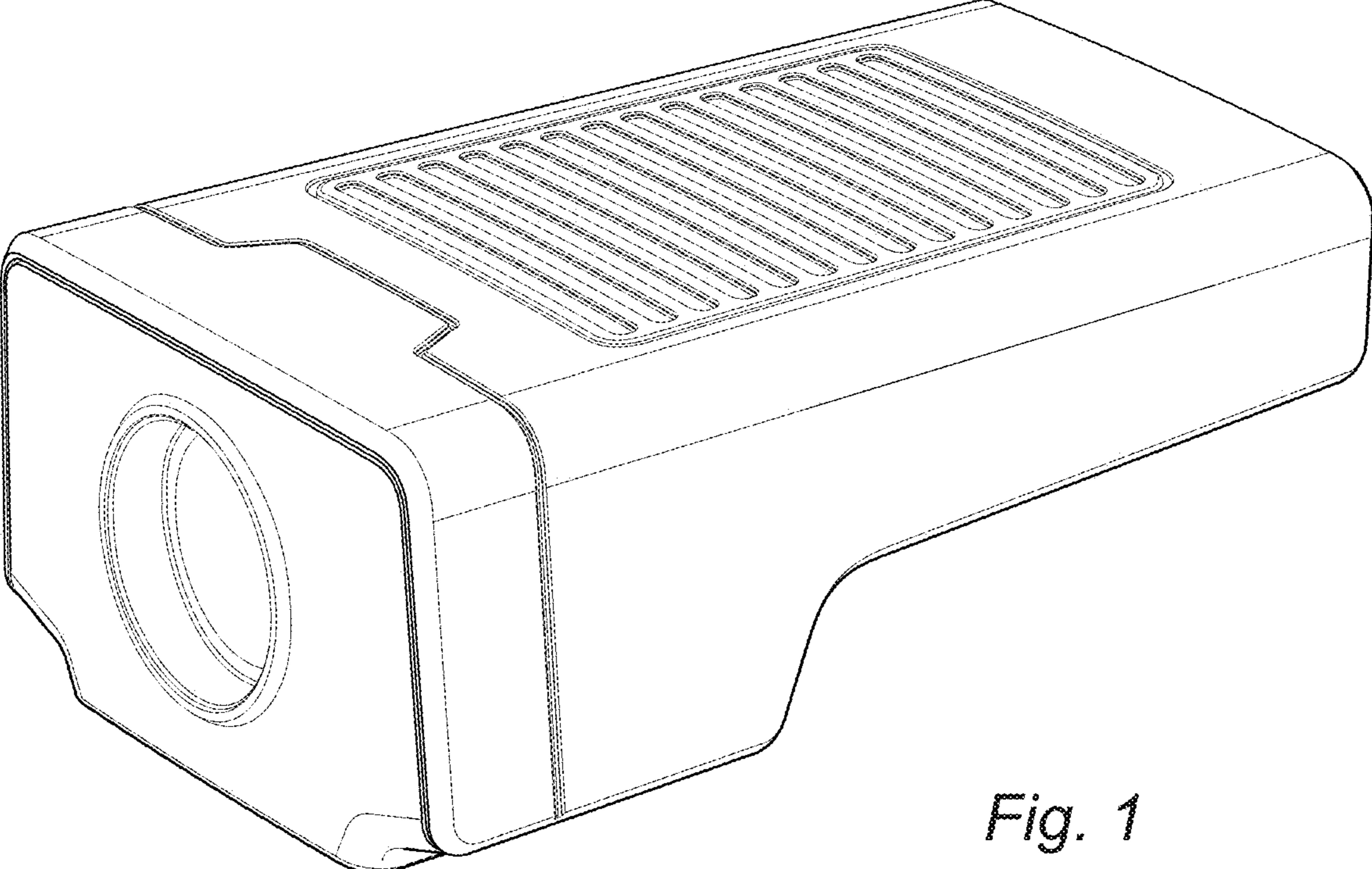


Fig. 1

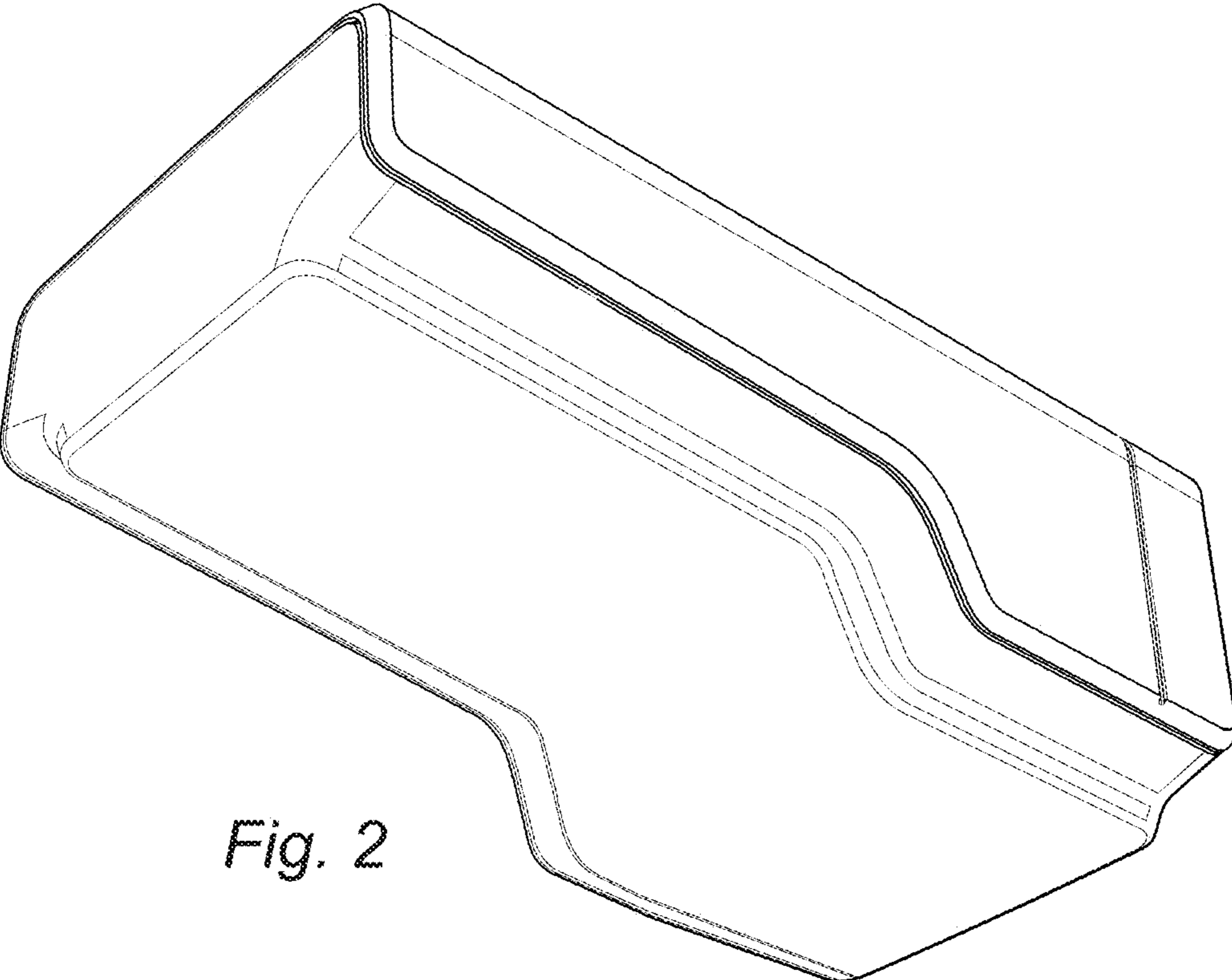


Fig. 2

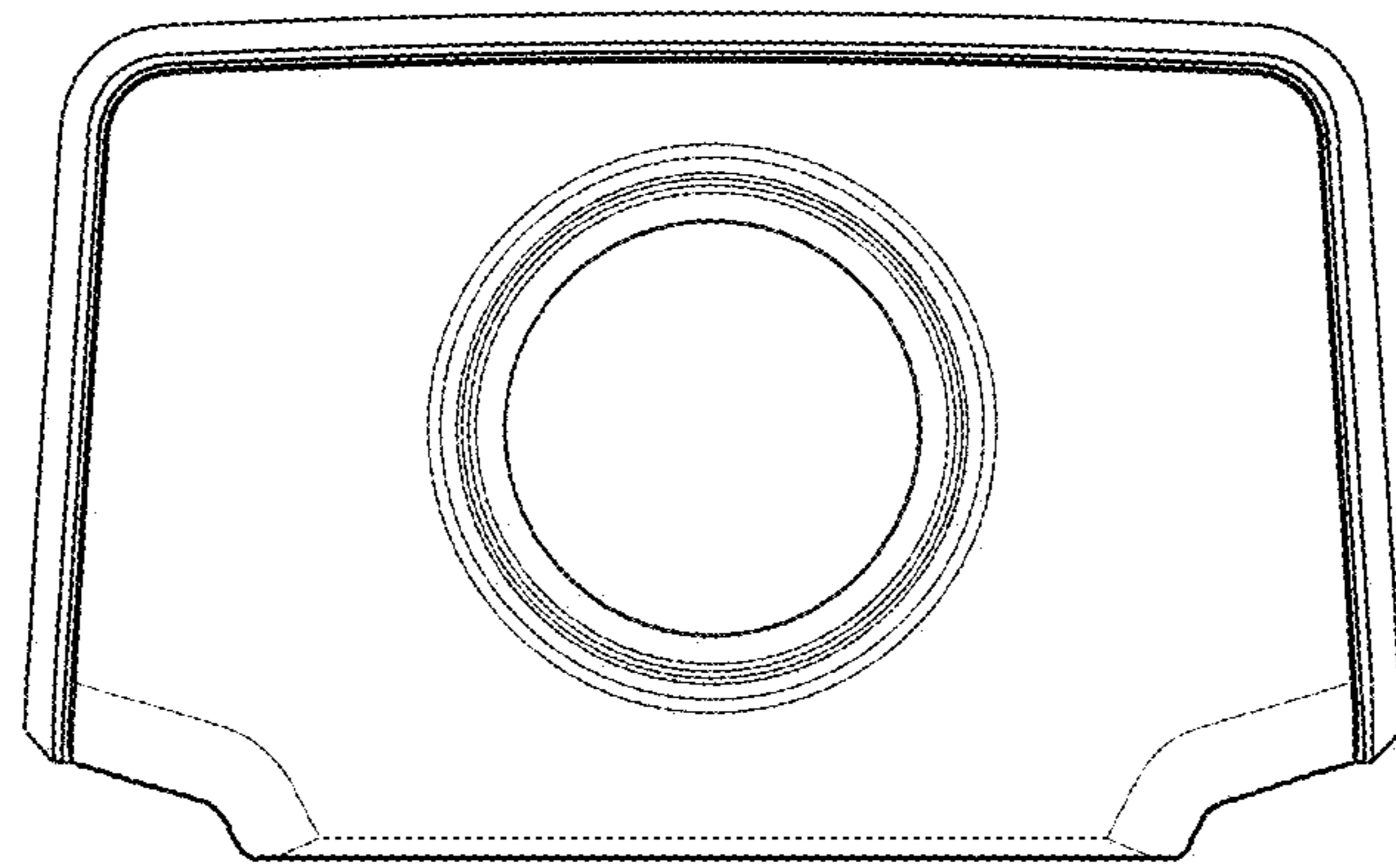


Fig. 3

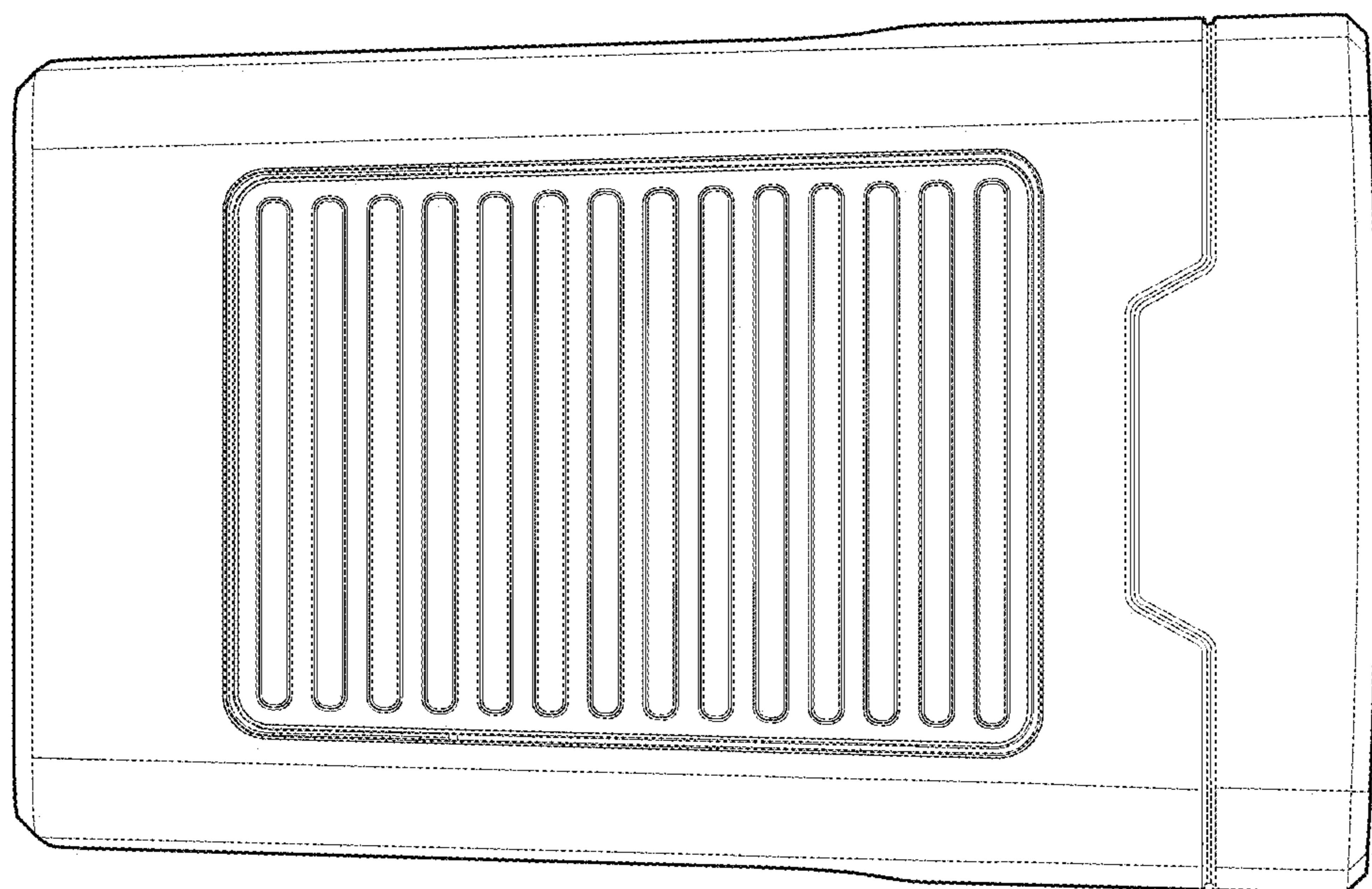


Fig. 4

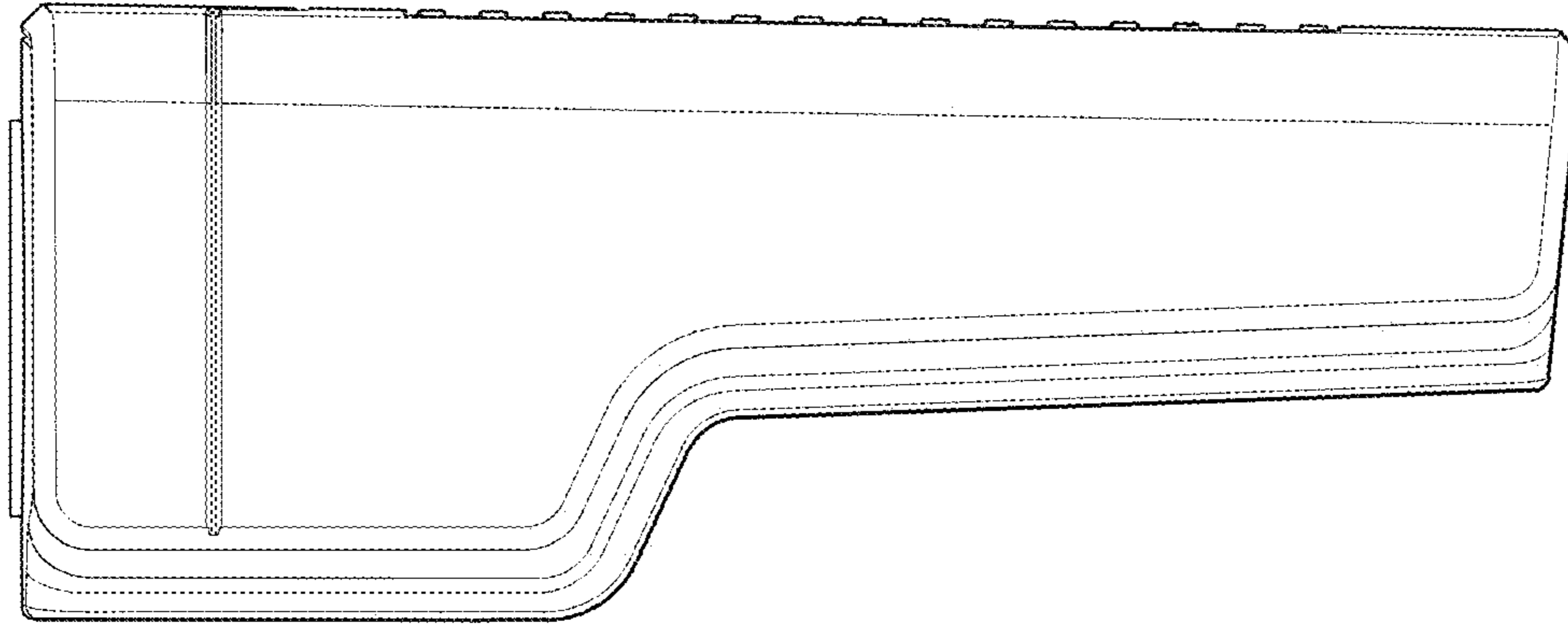


Fig. 5

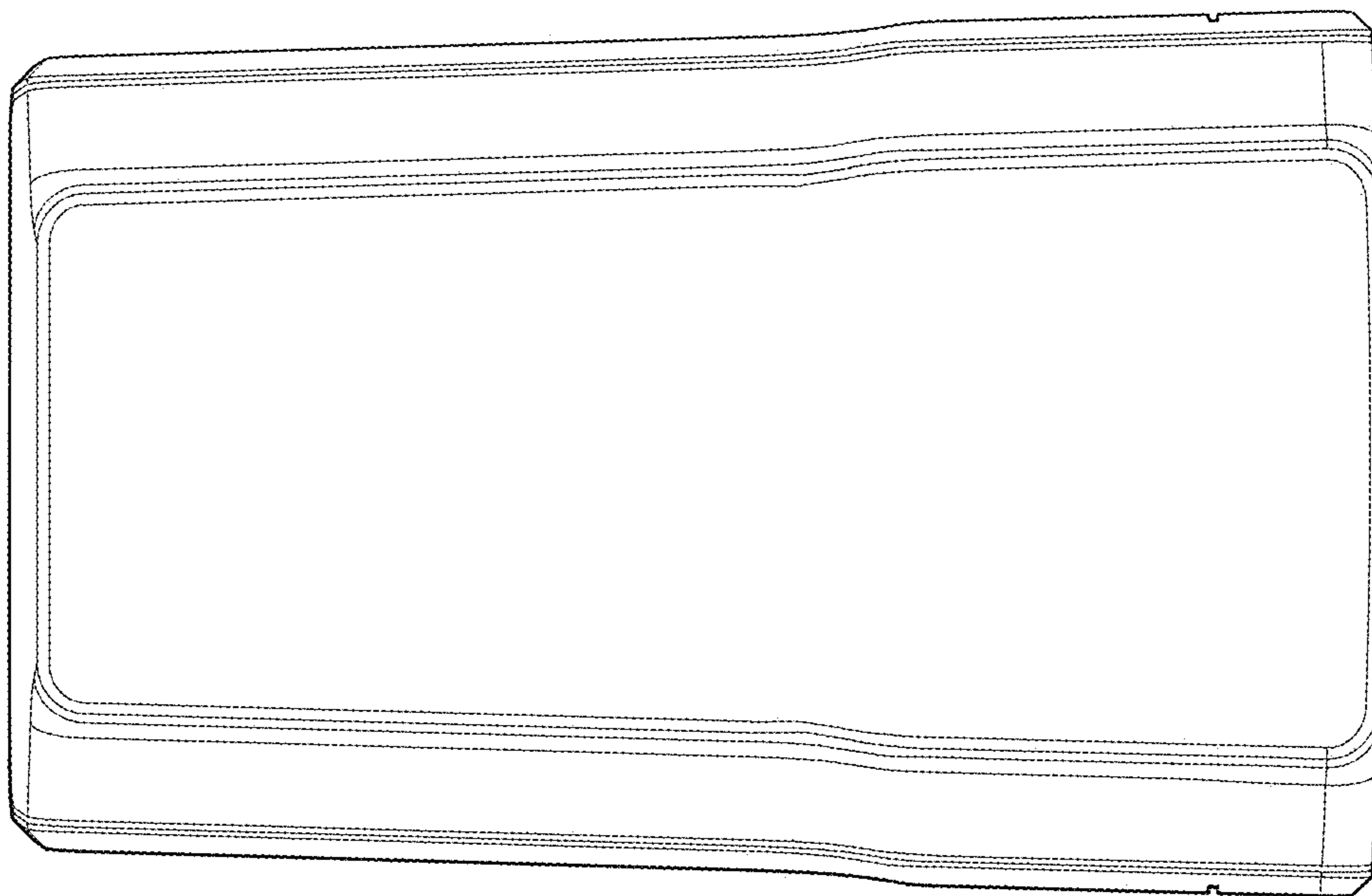


Fig. 6

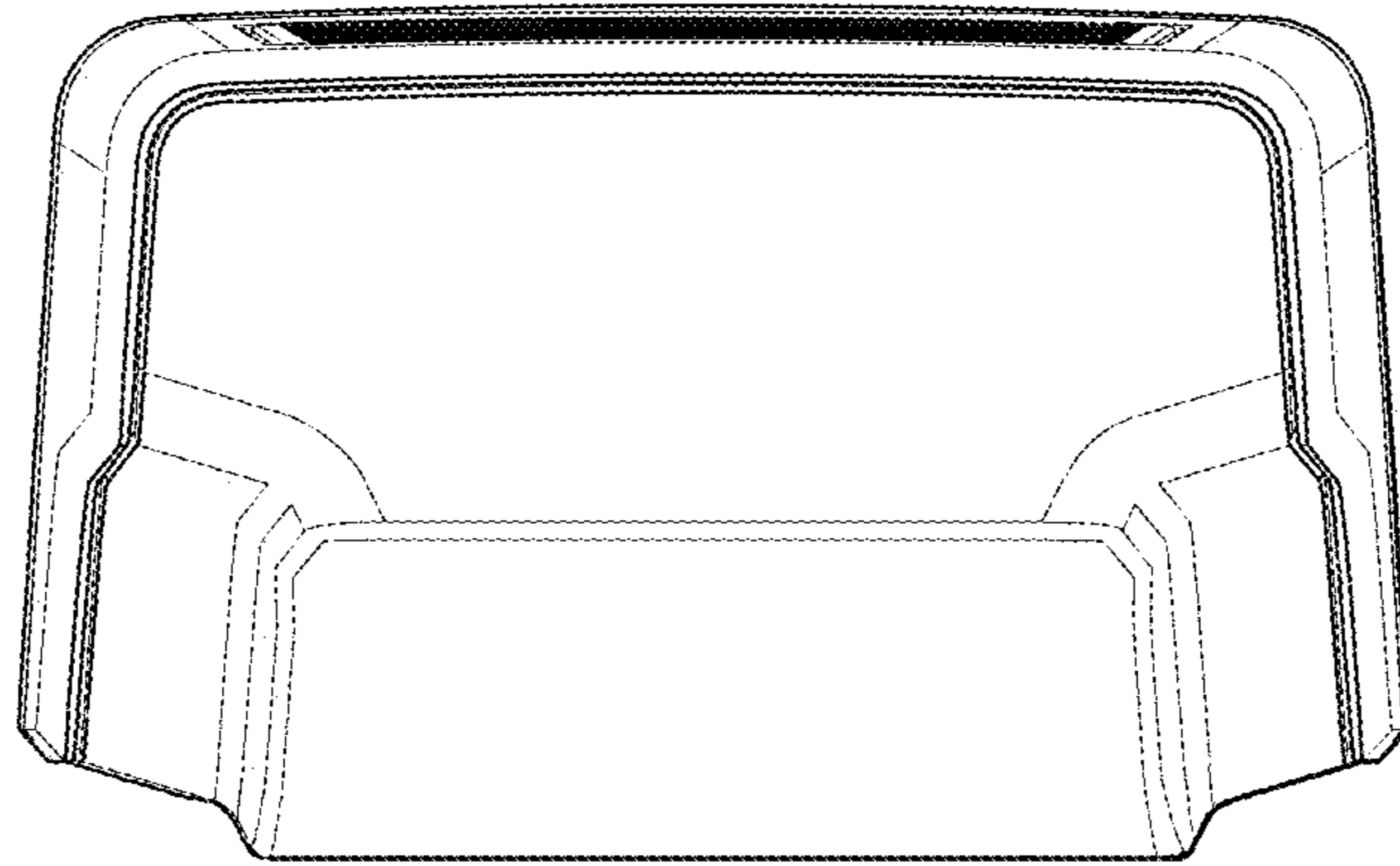


Fig. 7

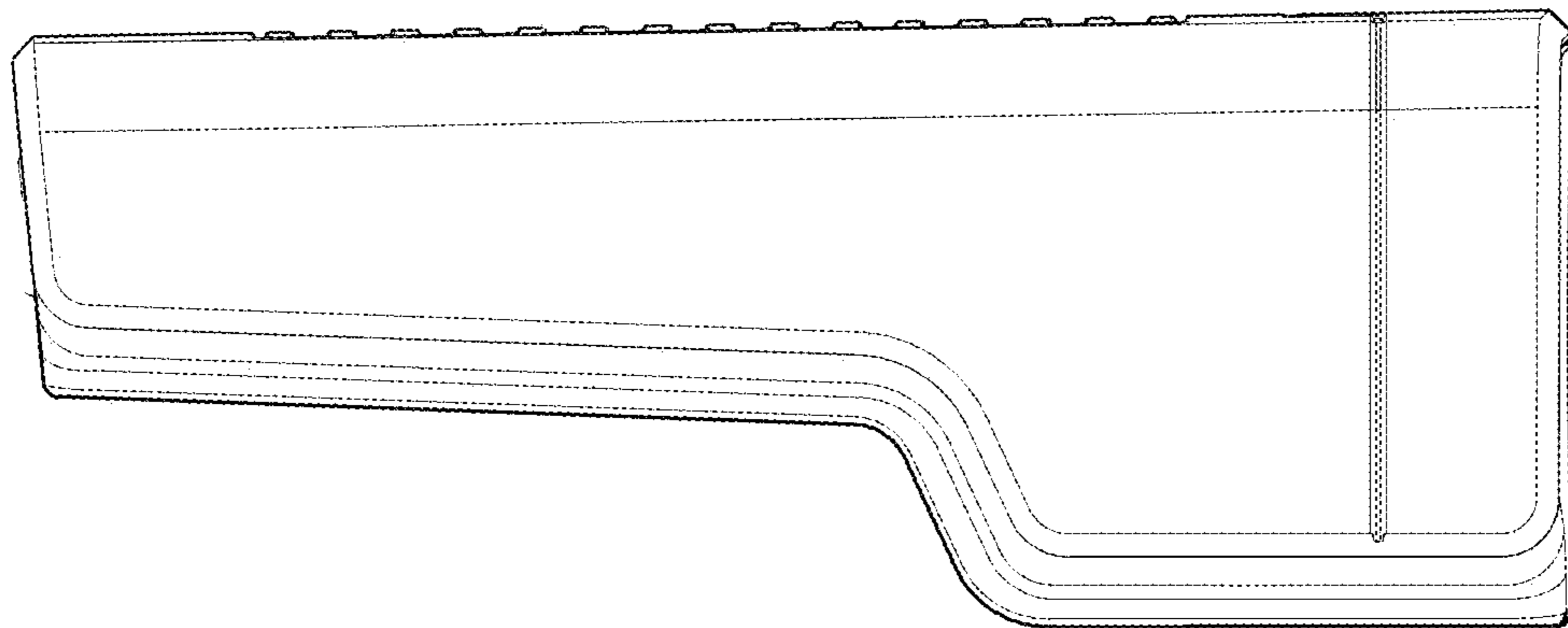


Fig. 8