



US00D910731S

(12) **United States Design Patent** (10) **Patent No.:** **US D910,731 S**
Walter et al. (45) **Date of Patent:** **** Feb. 16, 2021**

(54) **CAMERA**

(71) Applicant: **Axis AB**, Lund (SE)
(72) Inventors: **Mathias Walter**, Lund (SE); **Mariano Vozzi**, Lund (SE); **Sebastian Engwall**, Lund (SE); **Jonas Sjögren**, Lund (SE); **Ulf Lundberg**, Lund (SE); **Joakim Veberg**, Lund (SE); **Samir Helaoui**, Lund (SE); **Mikael Persson**, Lund (SE)

(73) Assignee: **AXIS AB**, Lund (SE)

(**) Term: **15 Years**

(21) Appl. No.: **29/694,507**

(22) Filed: **Jun. 11, 2019**

(30) **Foreign Application Priority Data**

Dec. 17, 2018 (EM) 005910759
May 29, 2019 (EM) 006541074

(51) **LOC (13) Cl.** **16-01**

(52) **U.S. Cl.**
USPC **D16/203**

(58) **Field of Classification Search**
USPC D16/200, 202–208, 218, 219, 242;
348/143, 148, 151, 373–376; 396/419,
396/427, 535, 539–541; 248/176.1, 187.1
CPC G03B 17/02; G03B 19/04; G03B 17/56;
G03B 17/04; G03B 15/03; H04N 5/2251;
H04N 5/2252; H04N 5/2253; H04N
5/2254; H04N 7/181; H04N 7/183; H04N
7/18

See application file for complete search history.

(56) **References Cited**

U.S. PATENT DOCUMENTS

D556,236 S * 11/2007 Kim D16/202
D575,810 S * 8/2008 Alm D16/203
D628,225 S * 11/2010 Deurwaarder D16/203

(Continued)

FOREIGN PATENT DOCUMENTS

EM 002503334 7/2014
EM 003841972 4/2017

(Continued)

OTHER PUBLICATIONS

Taiwanese Search Report from corresponding Taiwan Application No. 108303496, completed May 1, 2020.

Primary Examiner — Ramzi S Almatrahi

(74) *Attorney, Agent, or Firm* — Tucker Ellis LLP

(57) **CLAIM**

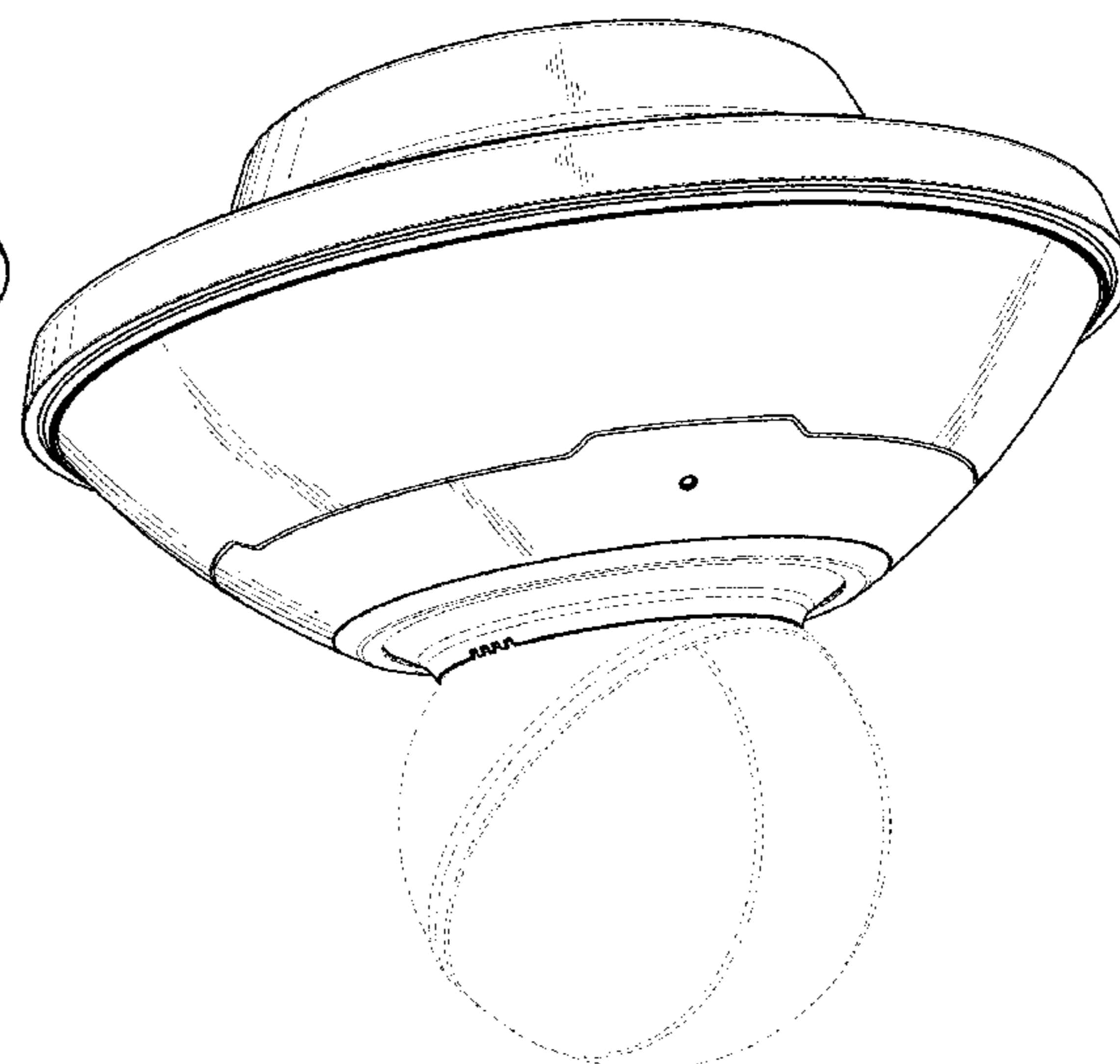
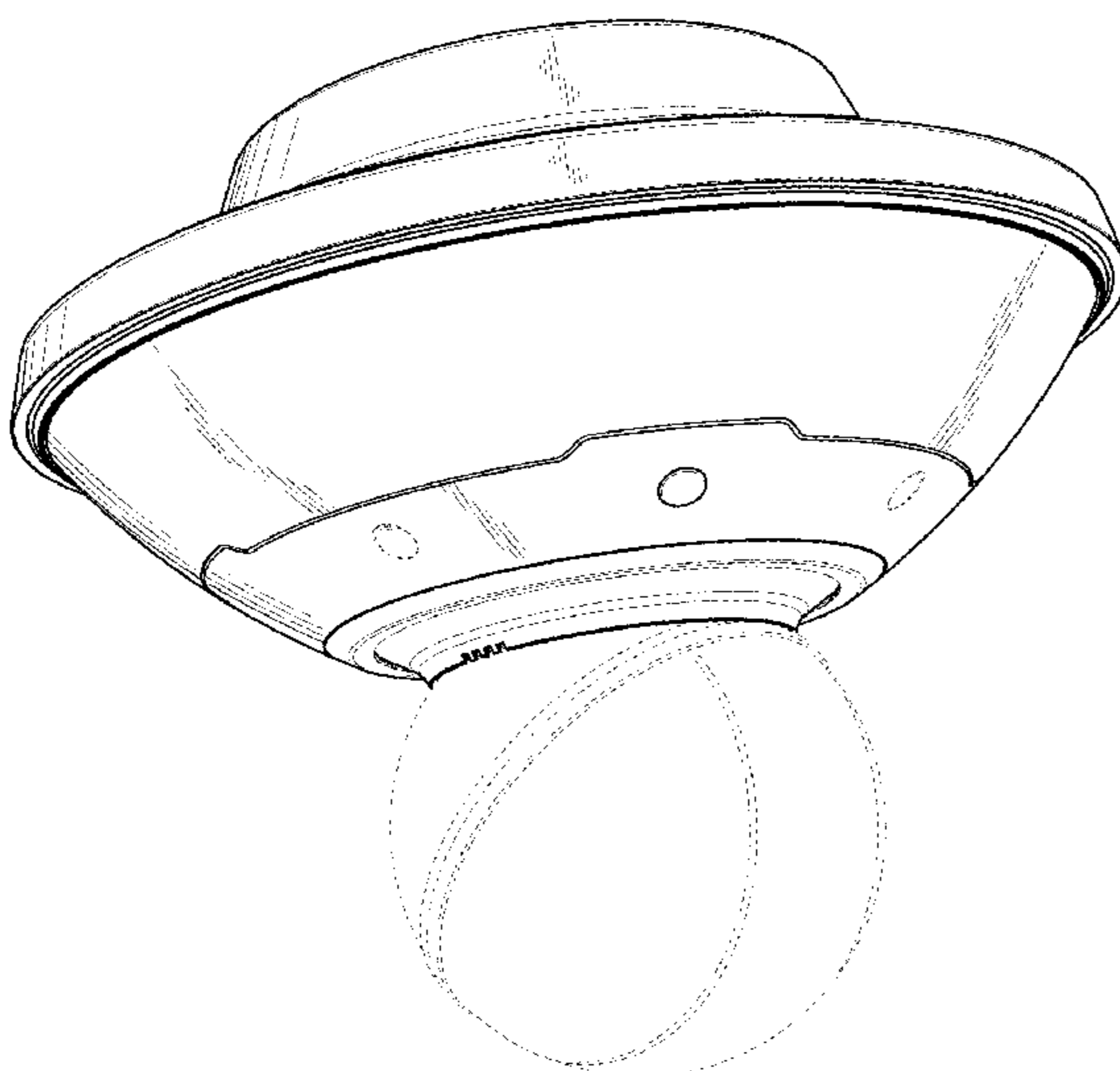
The ornamental design for a camera, as shown and described.

DESCRIPTION

FIG. 1 is a bottom, front and right side perspective view of a first embodiment of a camera showing our new design; FIG. 2 is a front view thereof; FIG. 3 is a rear view thereof; FIG. 4 is a right side view thereof; FIG. 5 is a left side view thereof; FIG. 6 is a top view thereof; FIG. 7 is a bottom view thereof; FIG. 8 is a bottom, front and right side perspective view of a second embodiment of a camera showing our new design; FIG. 9 is a front view thereof; FIG. 10 is a rear view thereof; FIG. 11 is a right side view thereof; FIG. 12 is a left side view thereof; FIG. 13 is a top view thereof; and, FIG. 14 is a bottom view thereof.

The broken lines are for the purpose of illustrating portions of the camera and form no part of the claimed design.

1 Claim, 14 Drawing Sheets



(56)

References Cited

U.S. PATENT DOCUMENTS

D636,805 S * 4/2011 Anneback D16/203
D655,328 S * 3/2012 Anneback D16/219
D688,720 S * 8/2013 Yilin D16/203
D694,798 S * 12/2013 Deurwaarder D16/203
8,790,024 B2 * 7/2014 Andersson G03B 37/02
396/427
D721,755 S * 1/2015 Åhman D16/203
D740,874 S * 10/2015 Ahman D16/203
D777,819 S 1/2017 Bergstrom et al.
D796,568 S 9/2017 Bingleman et al.
D816,755 S * 5/2018 Barnekow D16/203
D820,895 S 6/2018 Bergstrom et al.
D831,724 S 10/2018 Bergstrom et al.

FOREIGN PATENT DOCUMENTS

TW D174145 3/2016
TW D175857 5/2016
TW D194474 12/2018

* cited by examiner

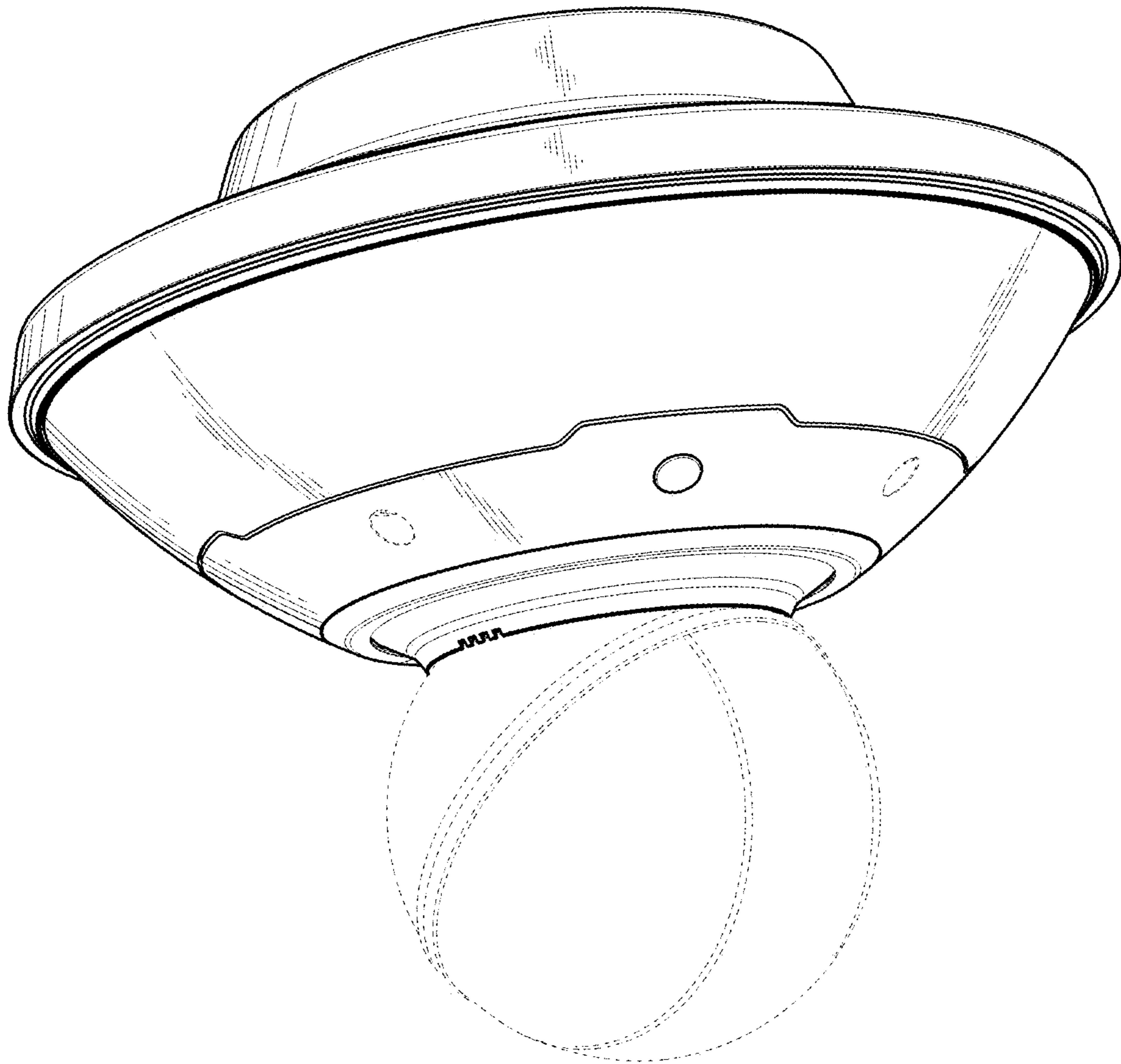


FIG. 1

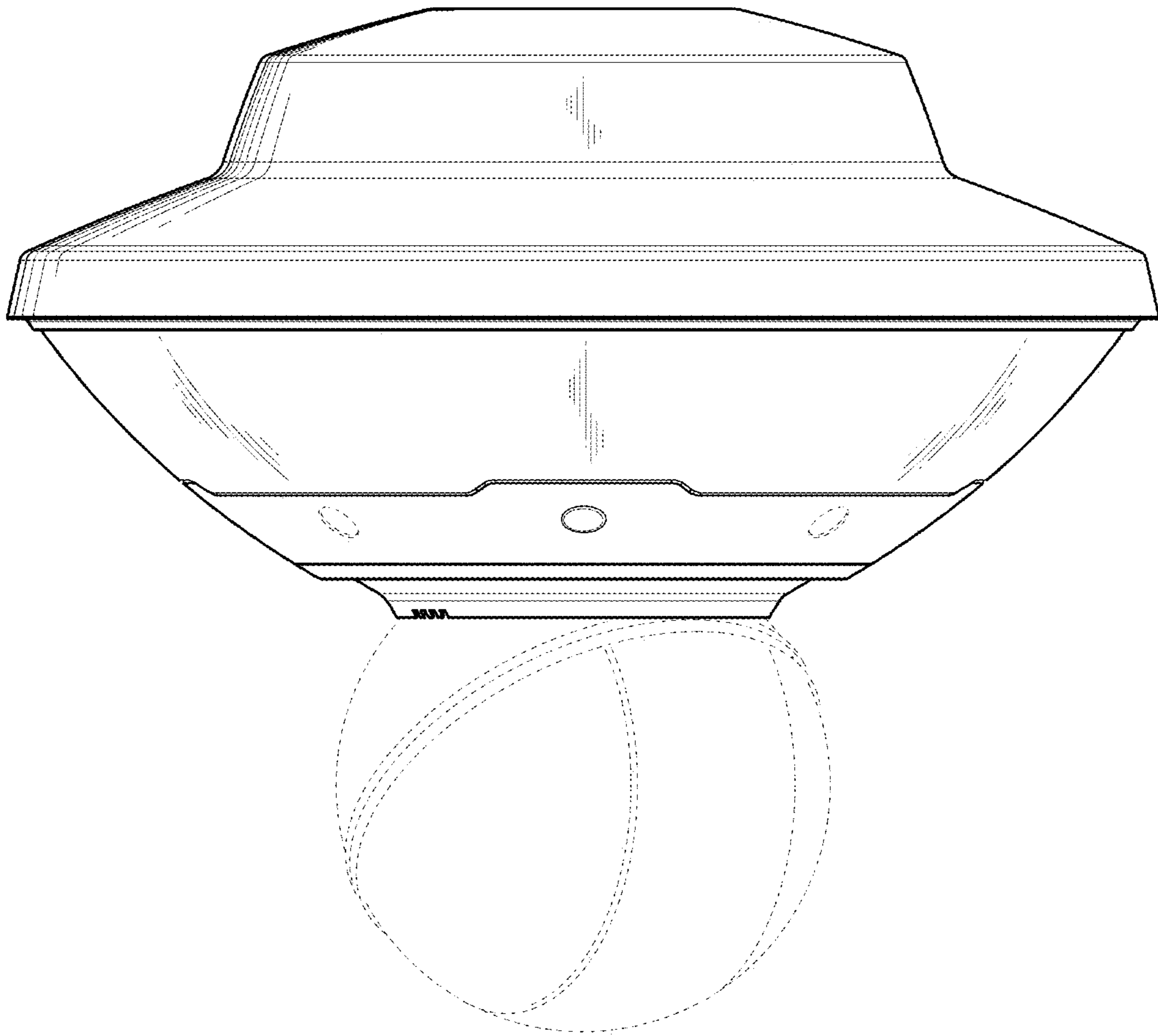


FIG. 2

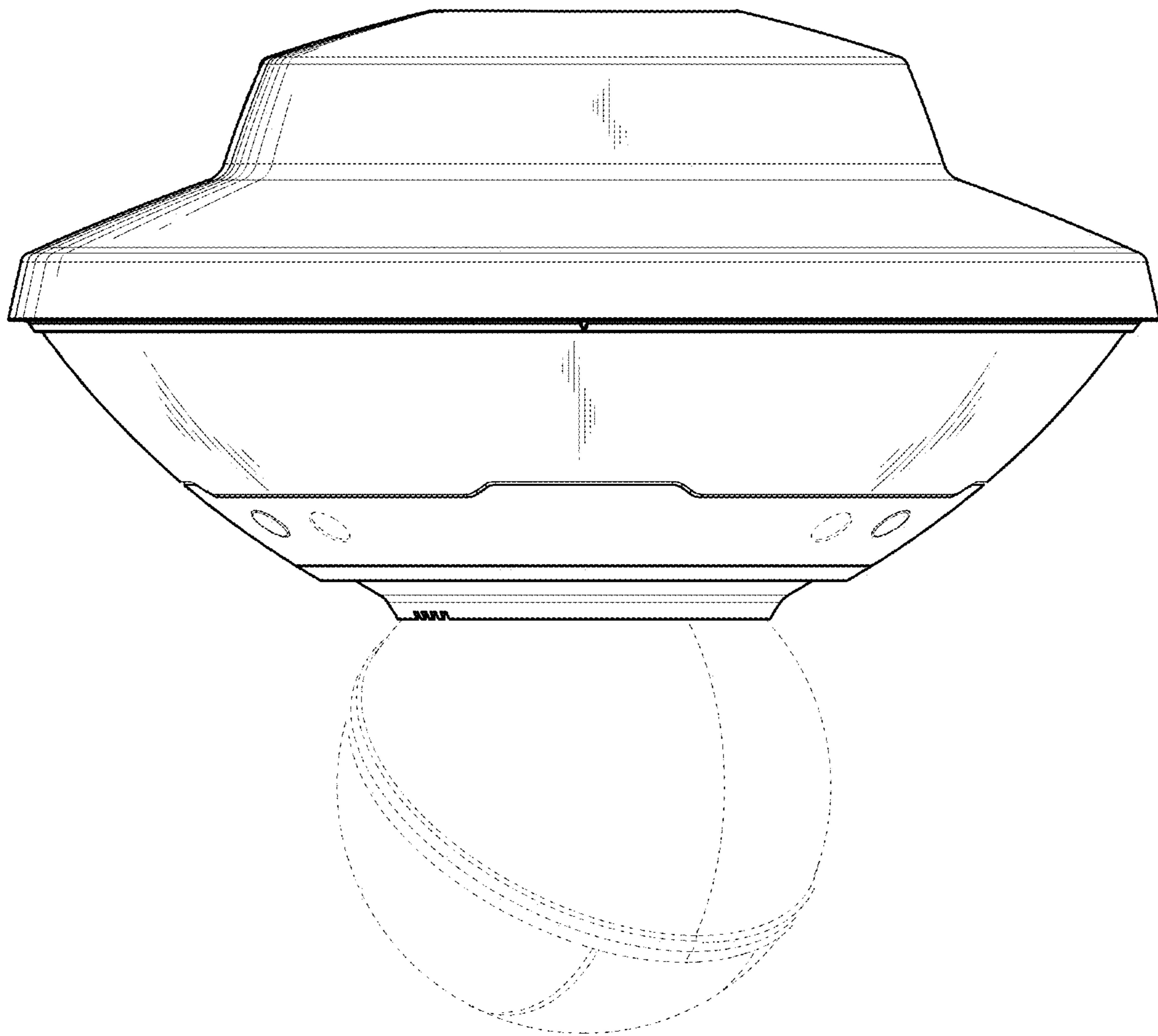


FIG. 3

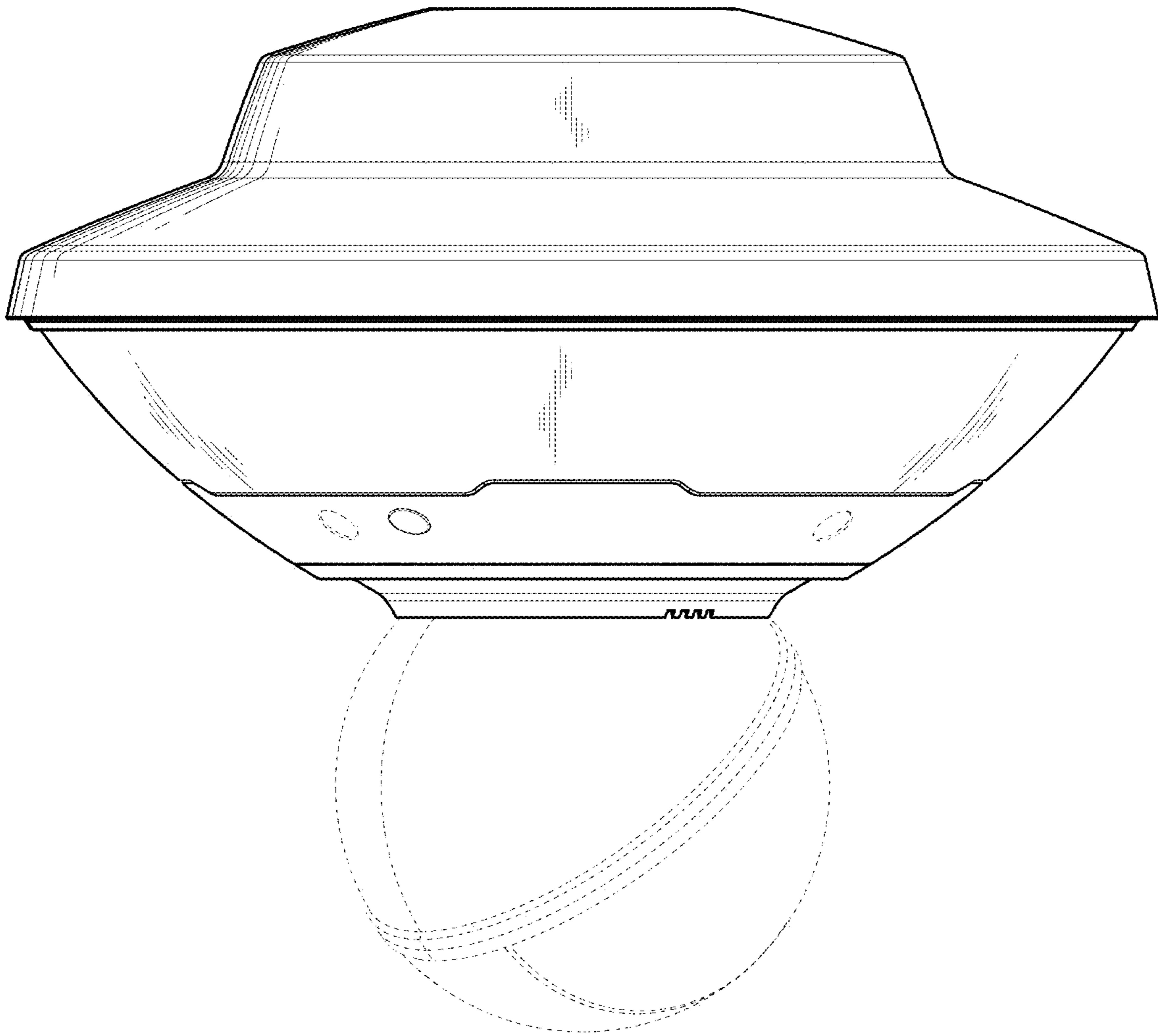


FIG. 4

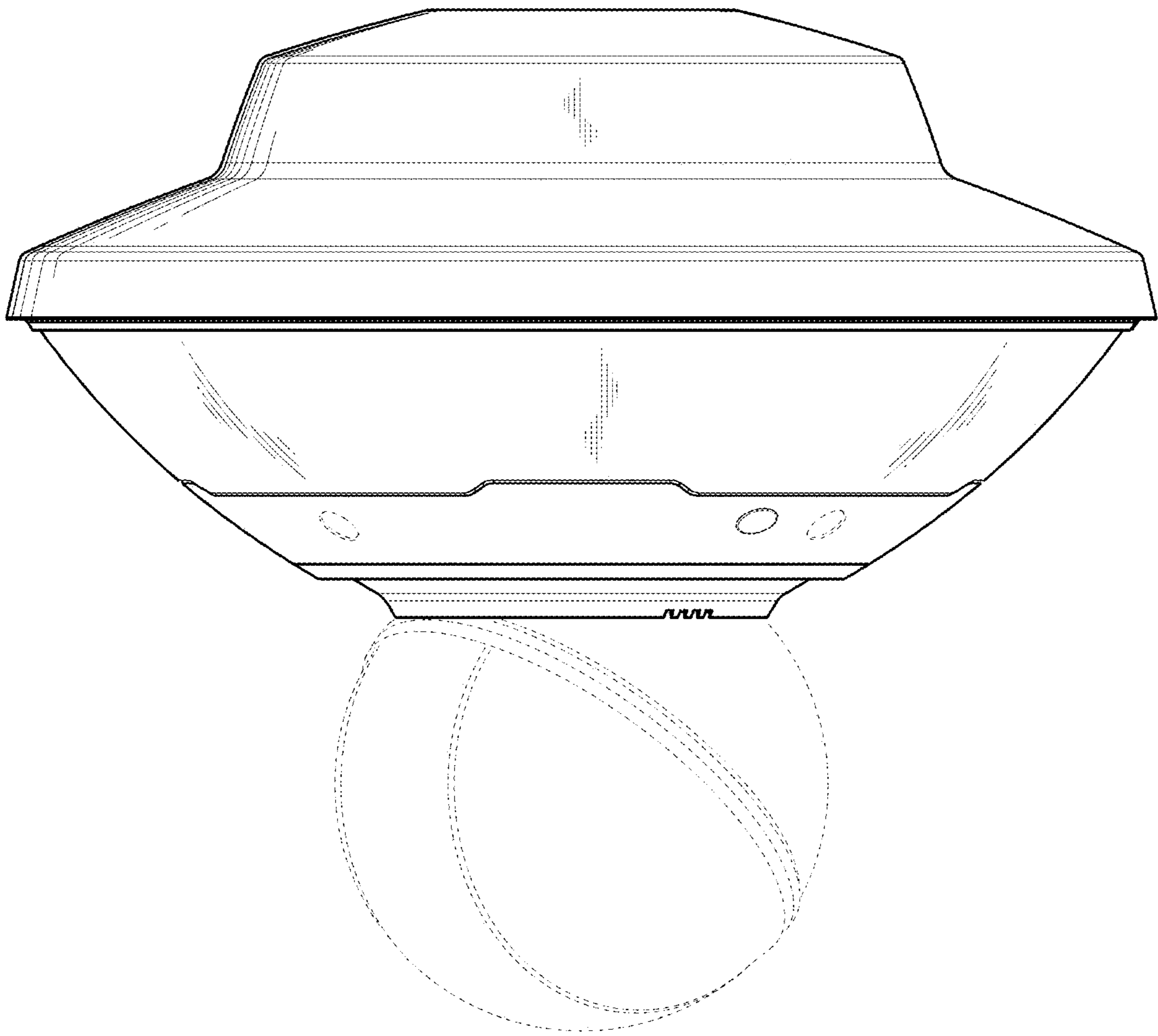


FIG. 5

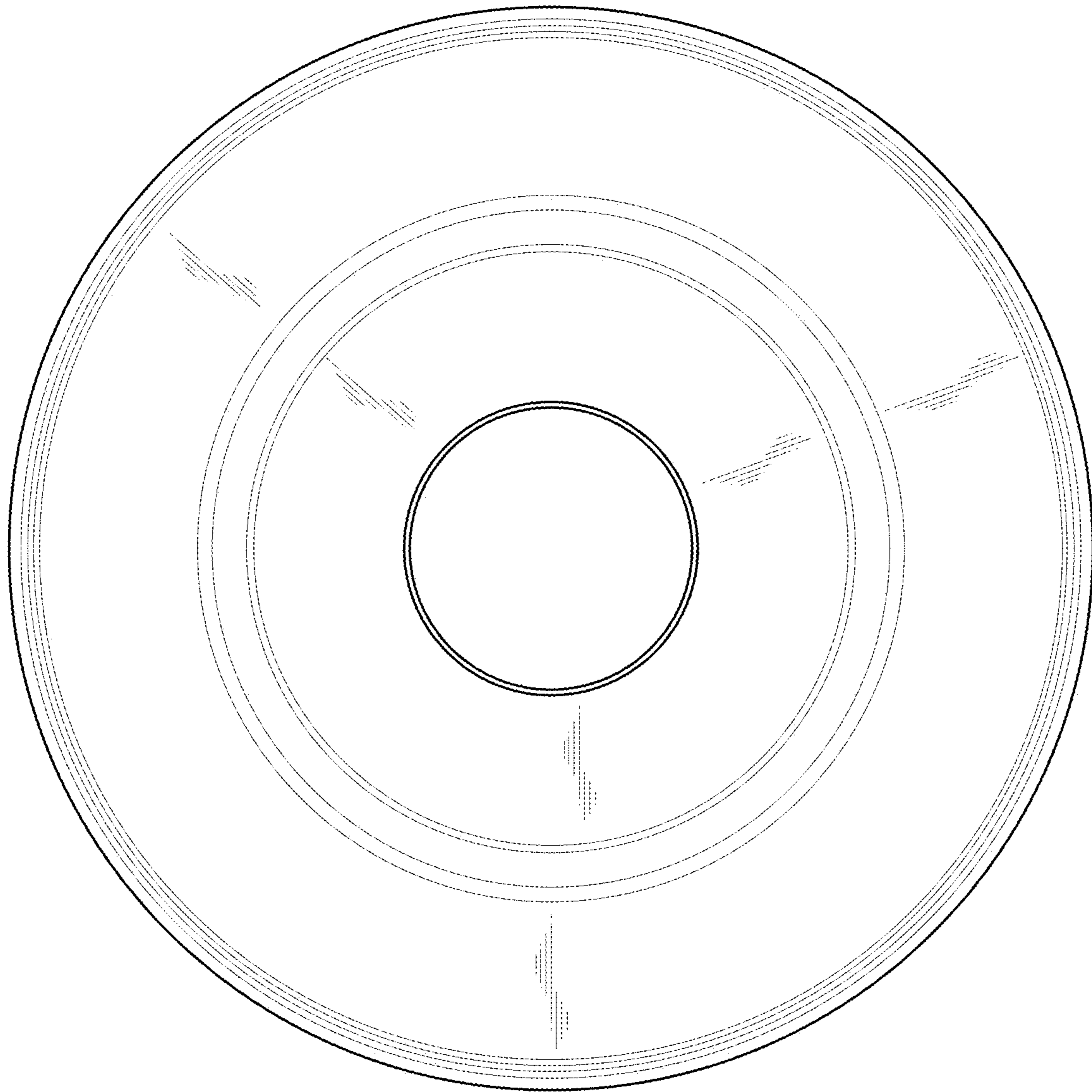


FIG. 6

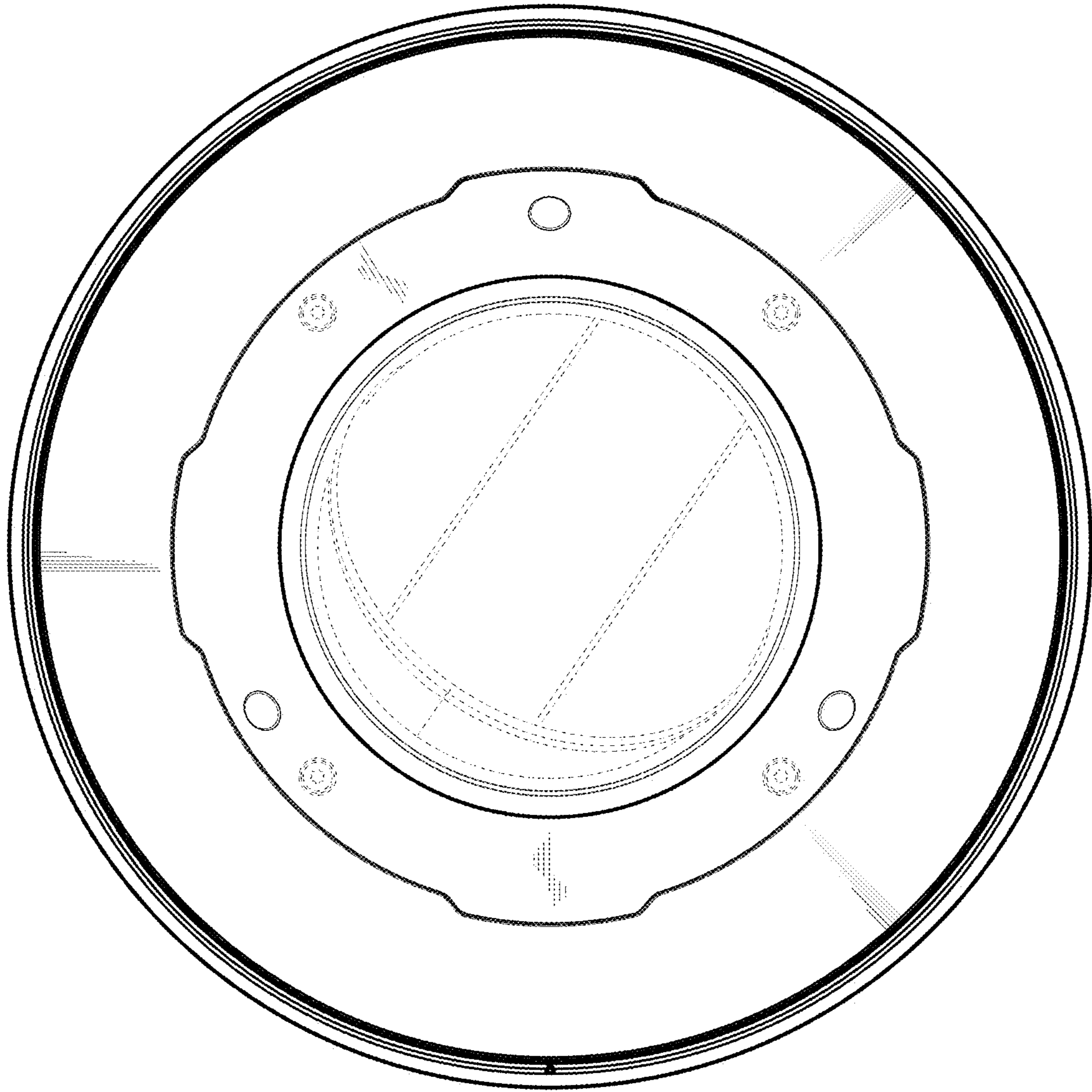


FIG. 7

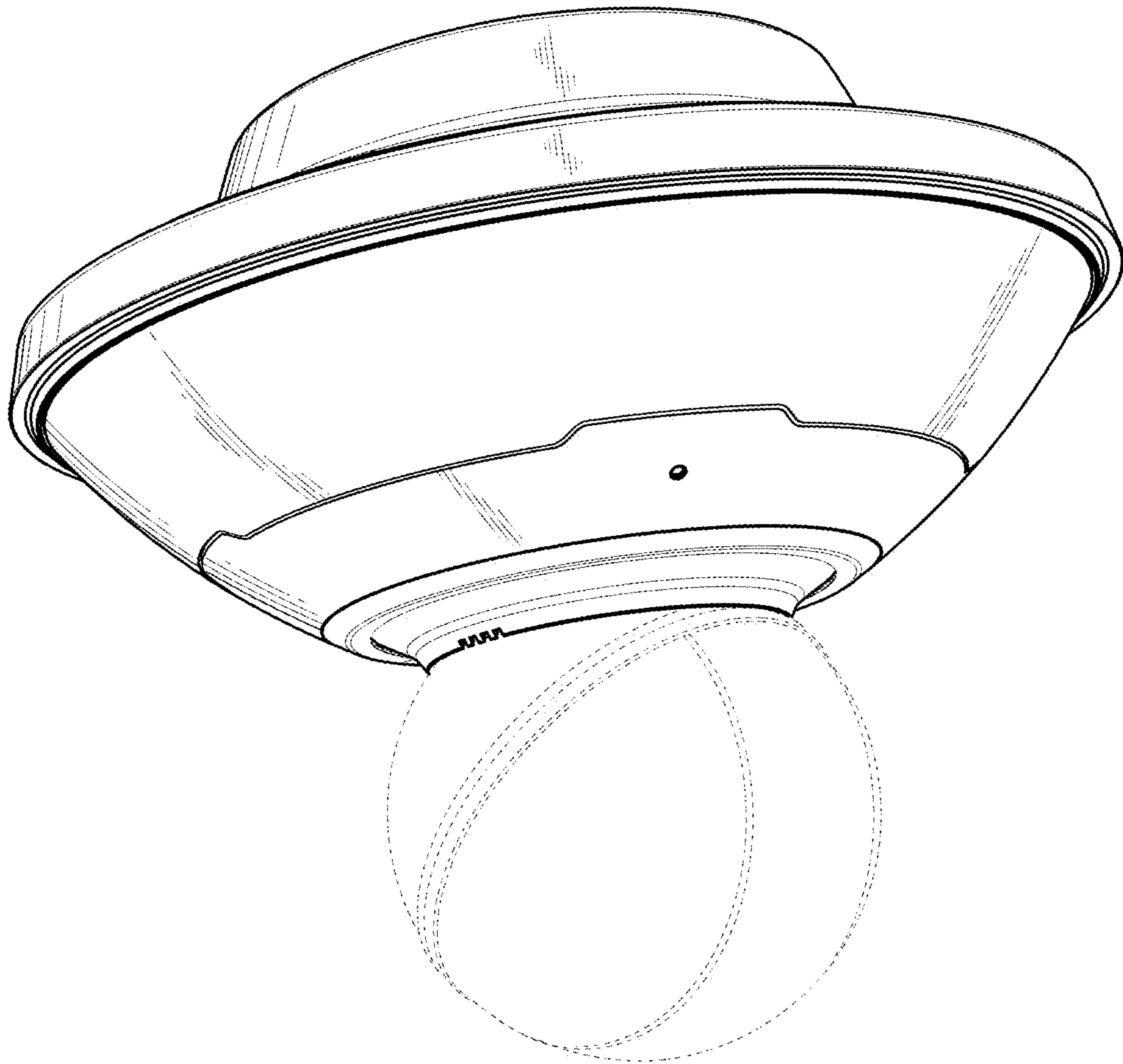


FIG. 8

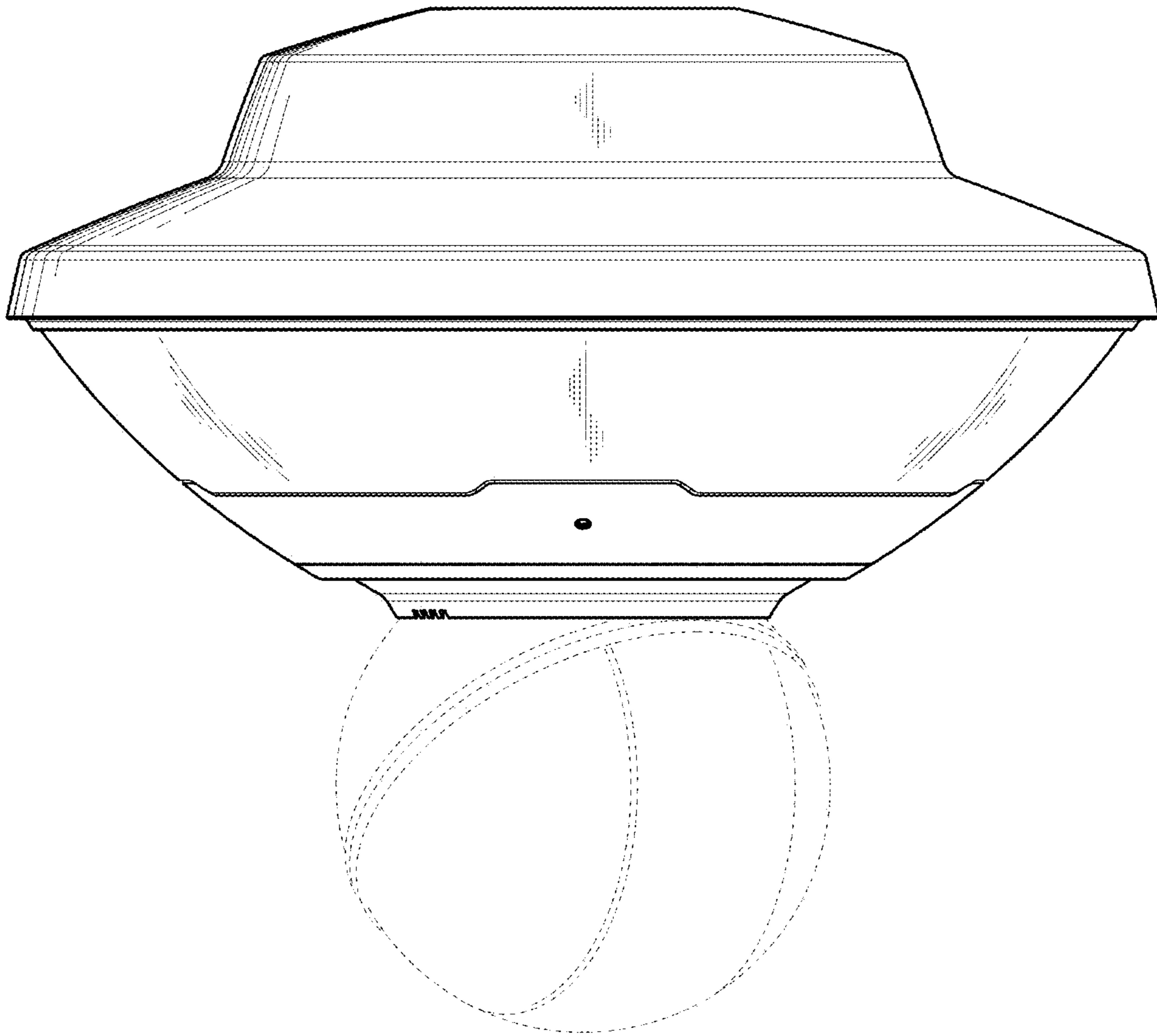


FIG. 9

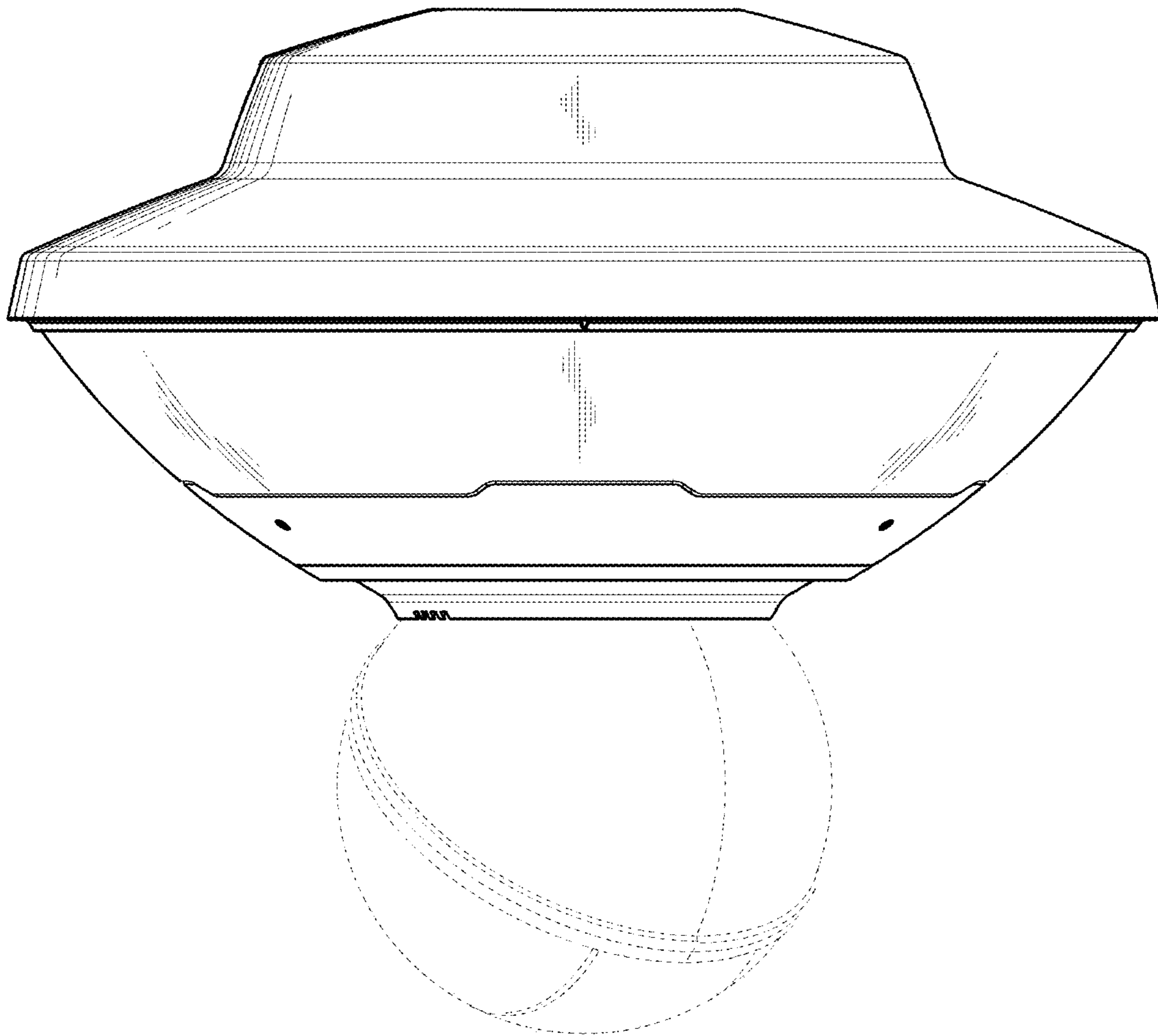


FIG. 10

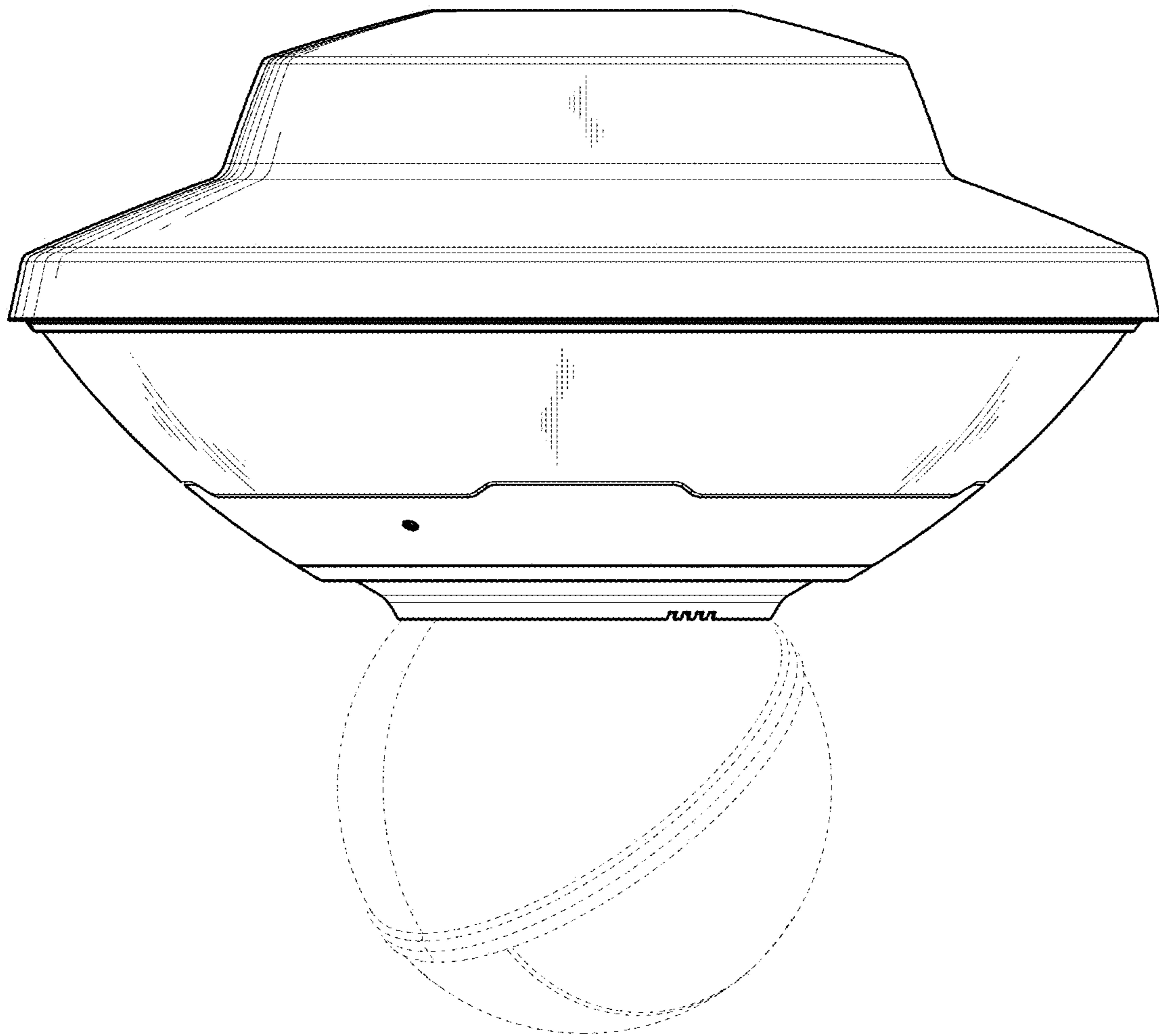


FIG. 11

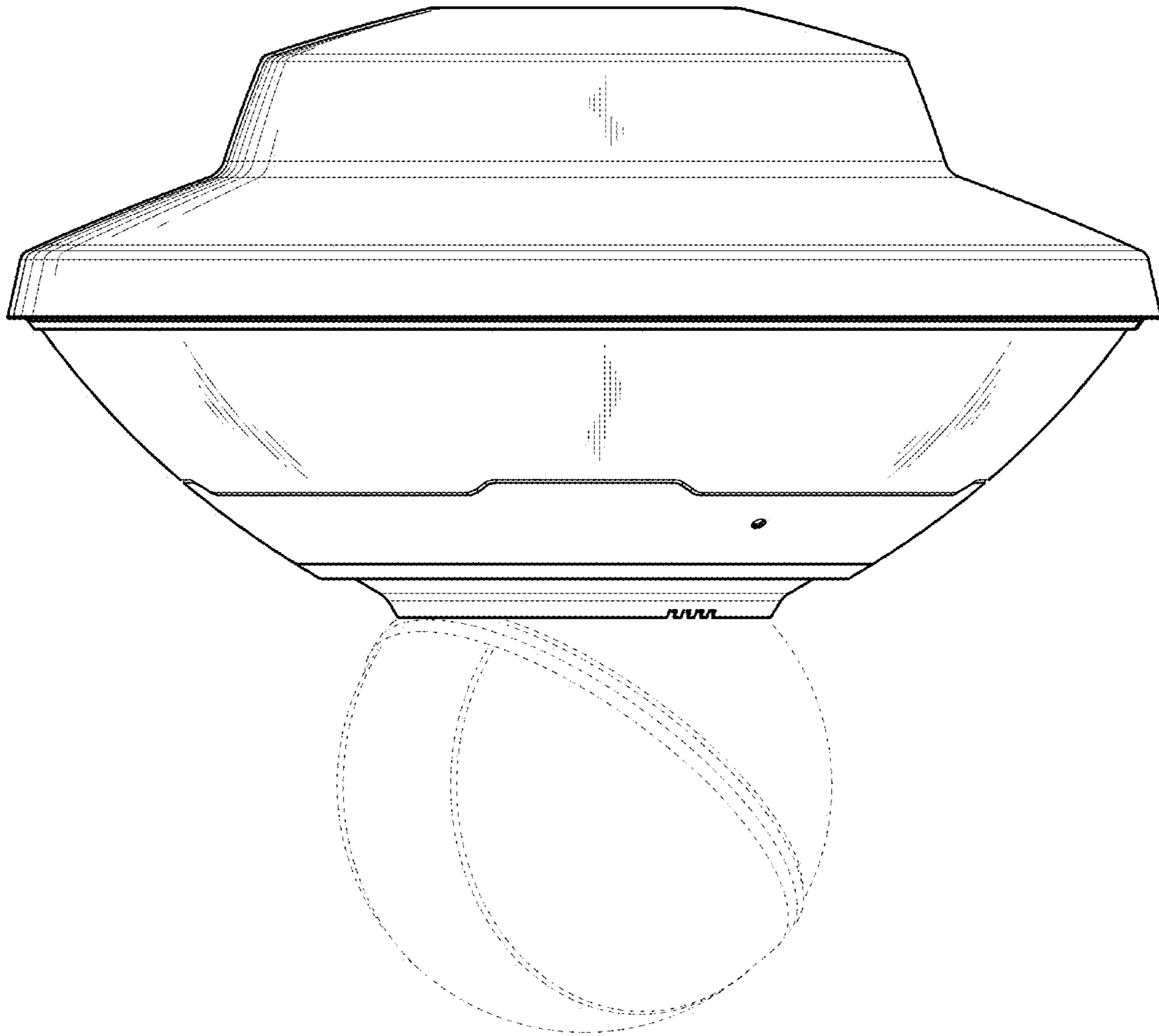


FIG. 12

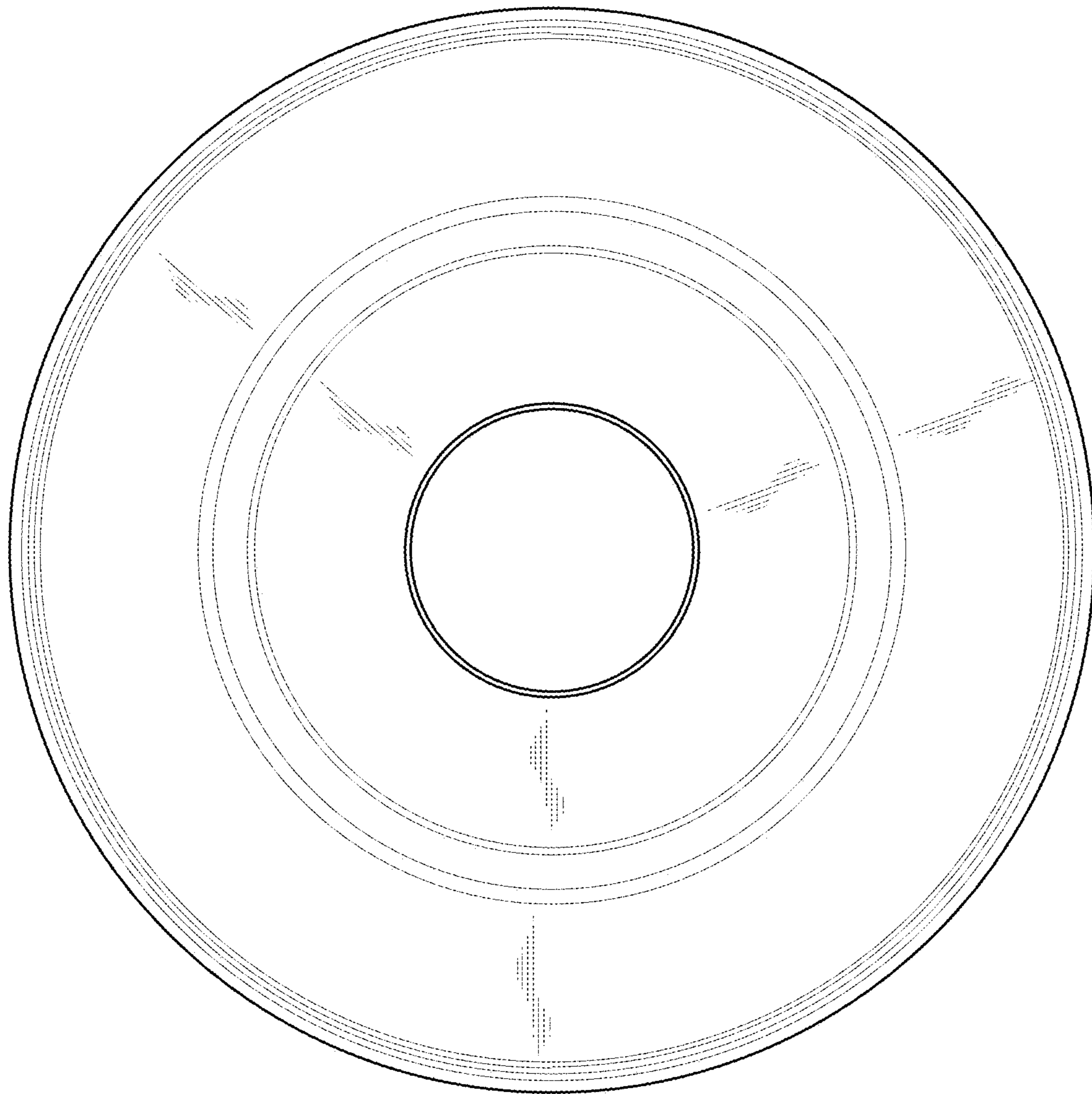


FIG. 13

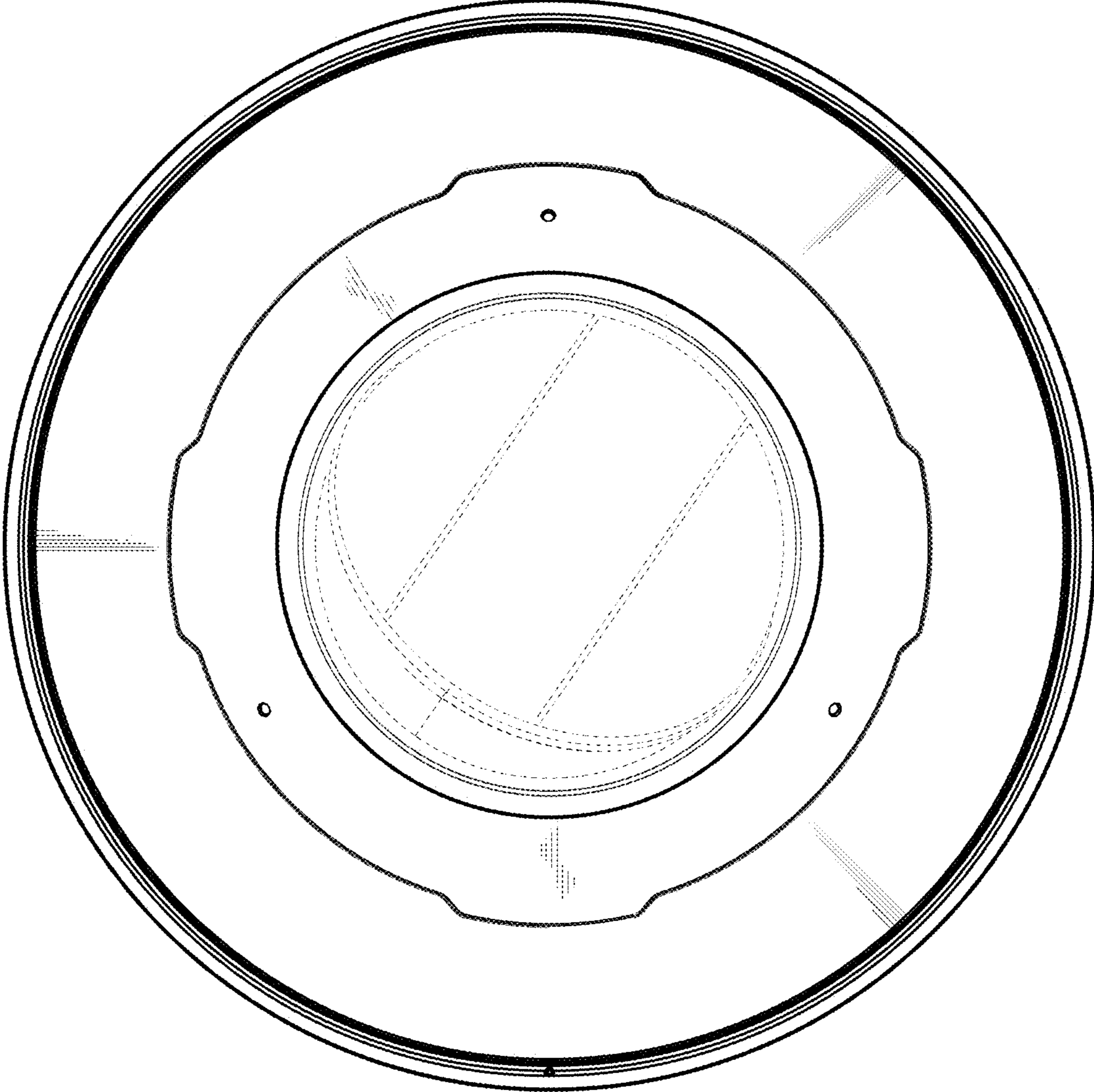


FIG. 14