



US00D910730S

(12) **United States Design Patent** (10) **Patent No.:** **US D910,730 S**
Hao (45) **Date of Patent:** **** Feb. 16, 2021**

(54) **WEB CAMERA**

(71) Applicant: **Shenzhen Anwei Technology Co., Ltd.**, Shenzhen (CN)

(72) Inventor: **Jianping Hao**, Shenzhen (CN)

(**) Term: **15 Years**

(21) Appl. No.: **29/733,368**

(22) Filed: **May 1, 2020**

(51) **LOC (13) Cl.** **16-01**

(52) **U.S. Cl.**
USPC **D16/202**; D16/218

(58) **Field of Classification Search**
USPC D16/200, 202–203, 208, 218, 219, 242;
248/187.1; 348/14.01–14.6, 143, 148,
348/151, 373–376; 396/419, 427, 428,
396/535, 539–541
CPC G03B 17/02; G03B 19/04; G03B 17/56;
G03B 17/04; G03B 15/03; H04N
2101/00; H04N 2007/145; H04N 7/141;
H04N 7/142; H04N 7/147; H04N 7/148;
H04N 7/15; H04N 7/152
See application file for complete search history.

(56) **References Cited**

U.S. PATENT DOCUMENTS

D559,883 S * 1/2008 Nakamura D16/218
D631,079 S * 1/2011 Tzeng D16/202
D632,719 S * 2/2011 Tsai D16/202
D641,770 S * 7/2011 Hoehn D16/202

D651,229 S * 12/2011 Tan D16/202
D651,230 S * 12/2011 Tan D16/202
D654,942 S 2/2012 Khamsepoor et al.
D665,439 S 8/2012 Khamsepoor et al.
D678,380 S 3/2013 Pardo et al.
D682,332 S * 5/2013 Wang D16/202
8,475,059 B2 * 7/2013 Khamsepoor H04N 5/2251
396/428
D694,796 S * 12/2013 Tsai D16/202
D712,951 S * 9/2014 Chou D16/202
D783,075 S * 4/2017 Maxwell D16/202
D849,089 S 5/2019 Lu

* cited by examiner

Primary Examiner — Ramzi S Almatrahi
(74) *Attorney, Agent, or Firm* — Rumit R. Kanakia

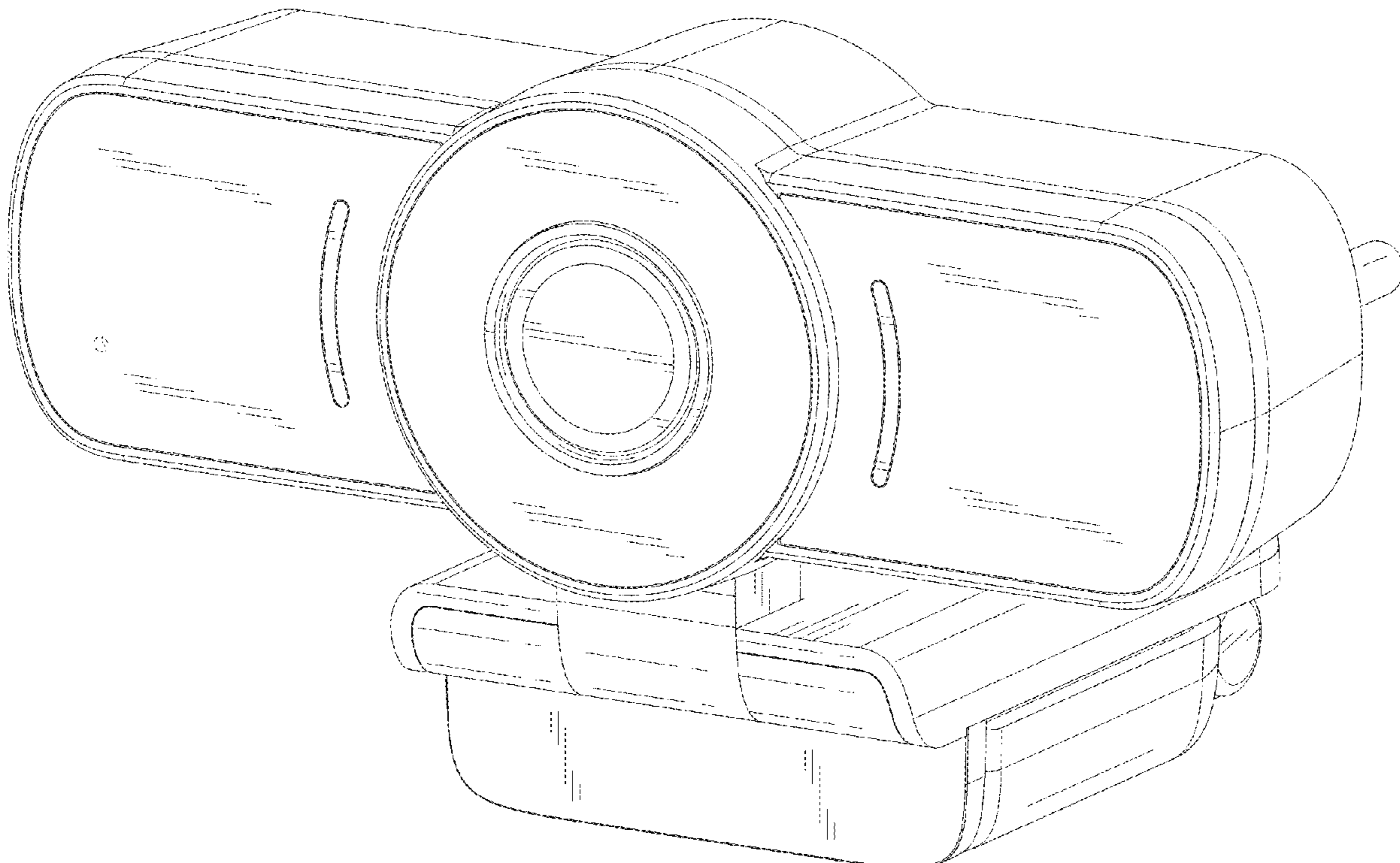
(57) **CLAIM**

The ornamental design for a web camera, as shown and described.

DESCRIPTION

FIG. 1 is a Perspective view of a web camera showing my new design;
FIG. 2 is a front view thereof;
FIG. 3 is a back view thereof;
FIG. 4 is a right-side view thereof;
FIG. 5 is a left-side view thereof;
FIG. 6 is a top view thereof; and,
FIG. 7 is a bottom view thereof.
The broken lines depict portions of the web camera in which the design is embodied that form no part of the claimed design.

1 Claim, 7 Drawing Sheets



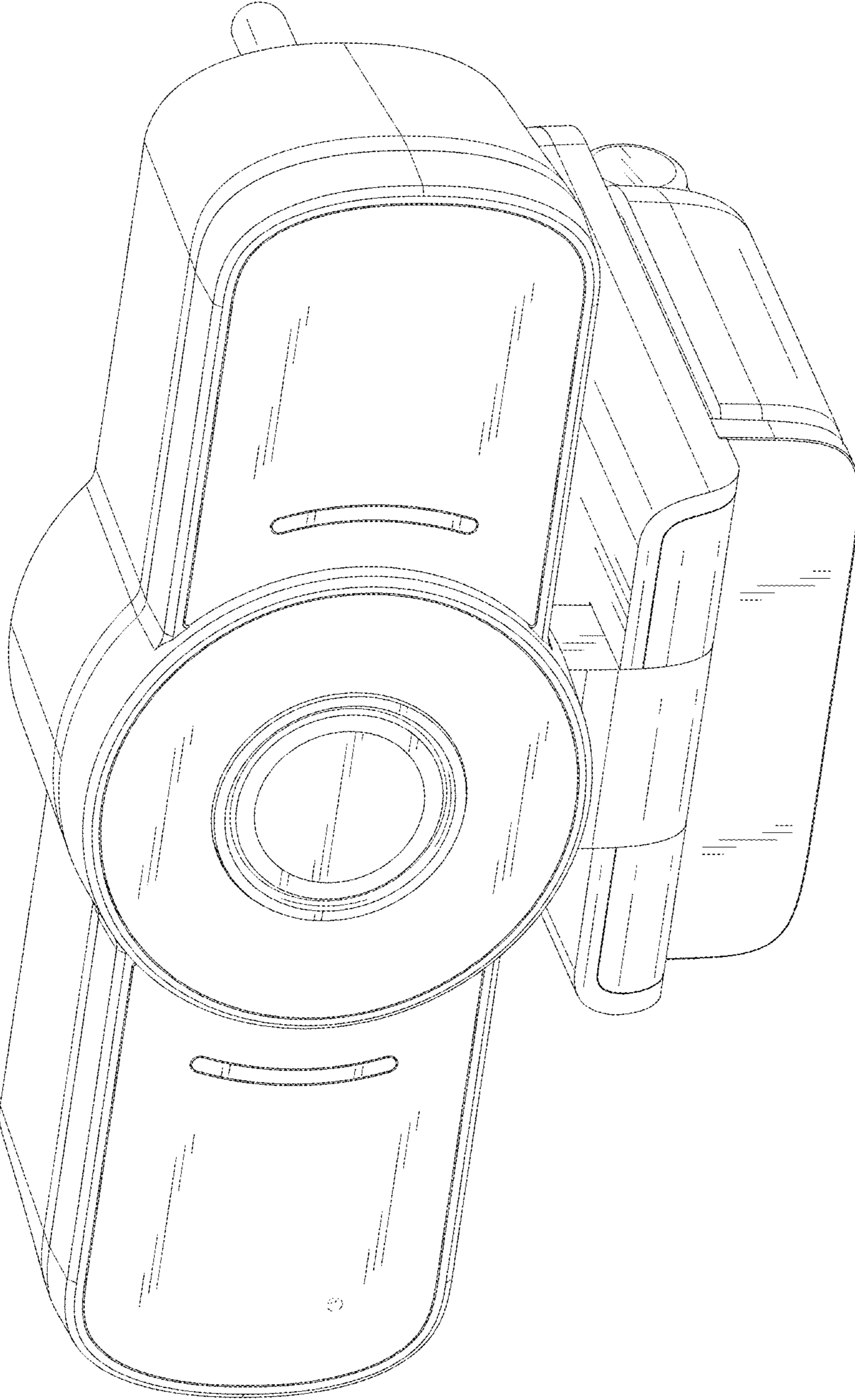


FIG. 1

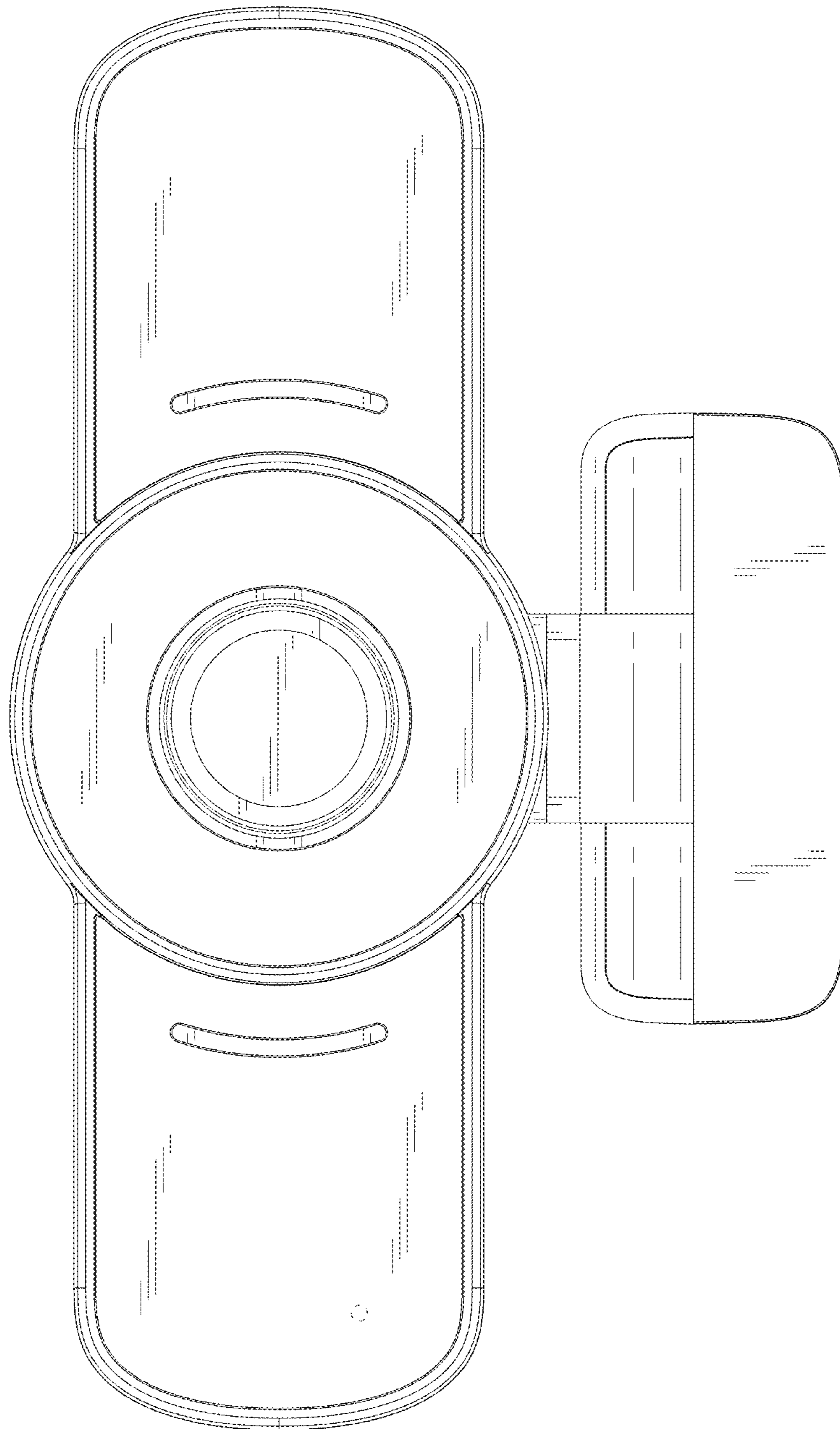


FIG. 2

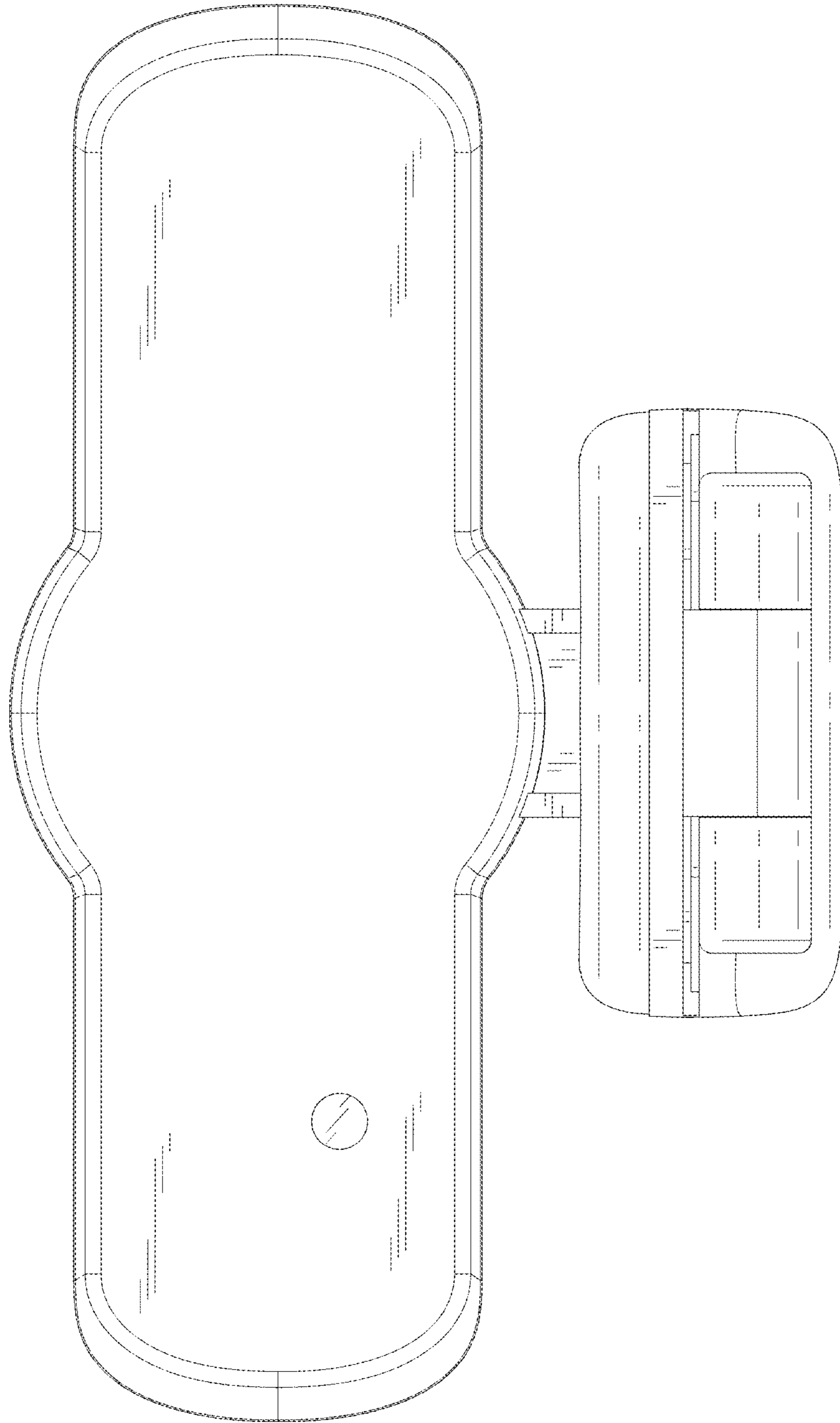


FIG. 3

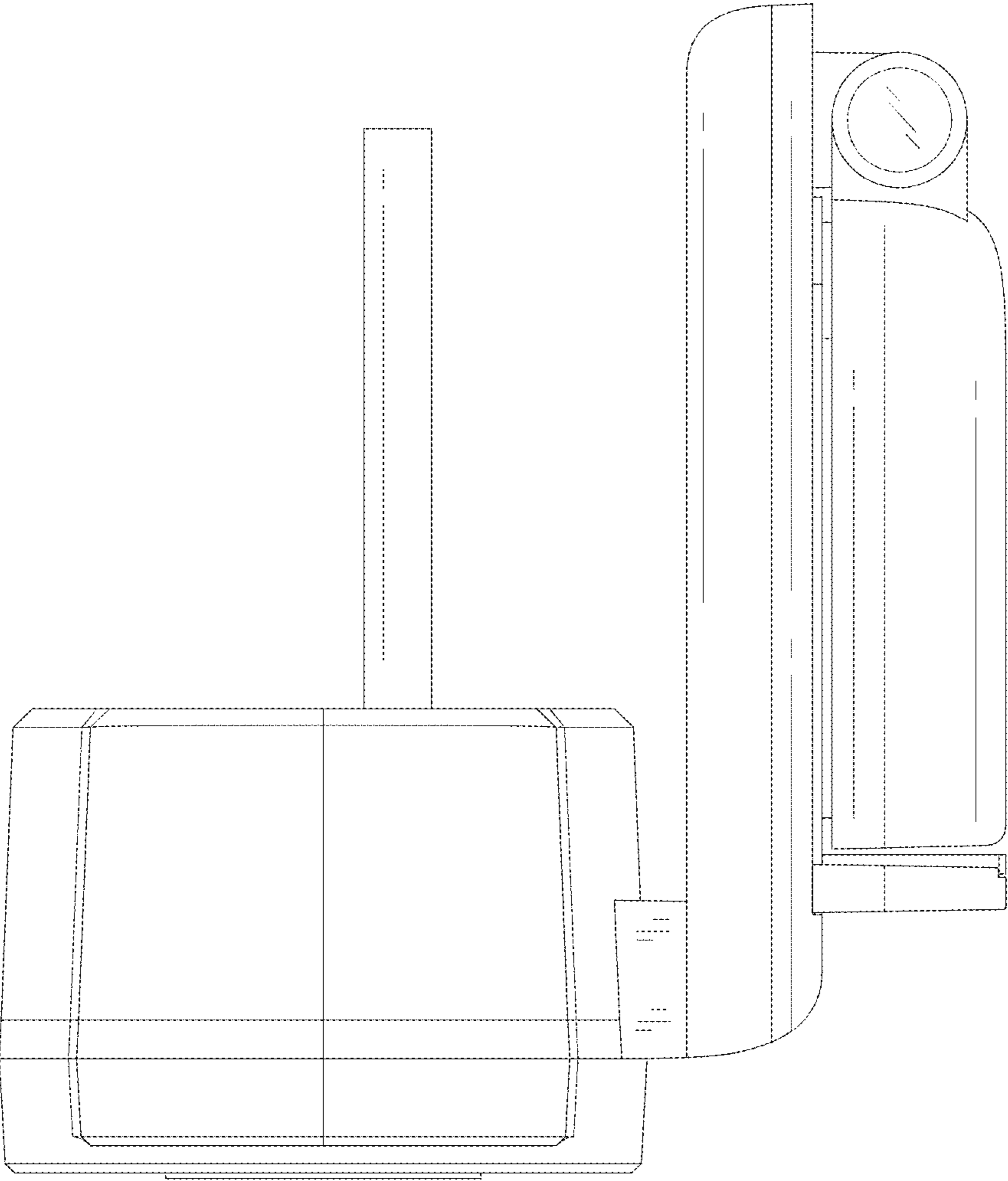


FIG. 4

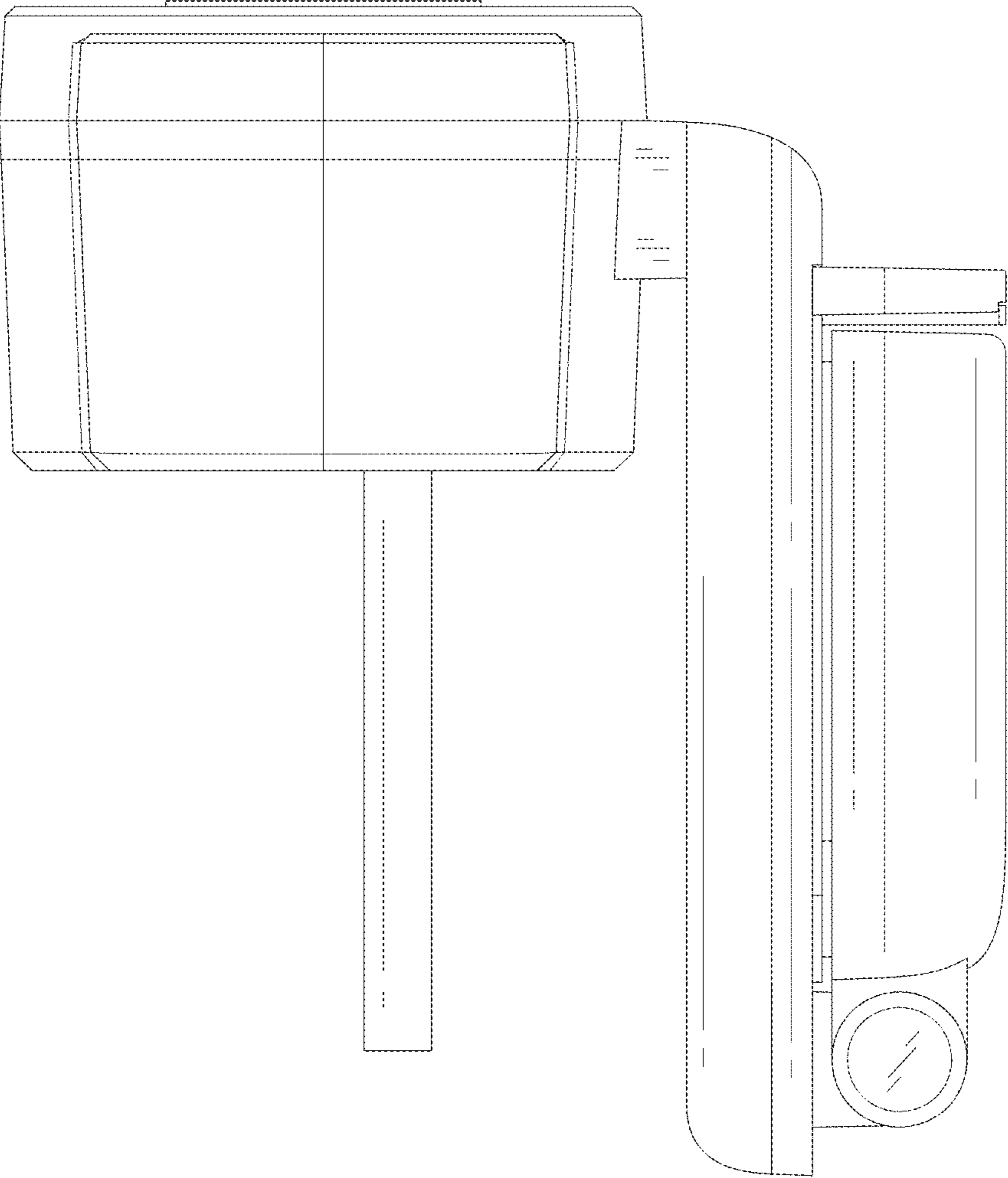


FIG. 5

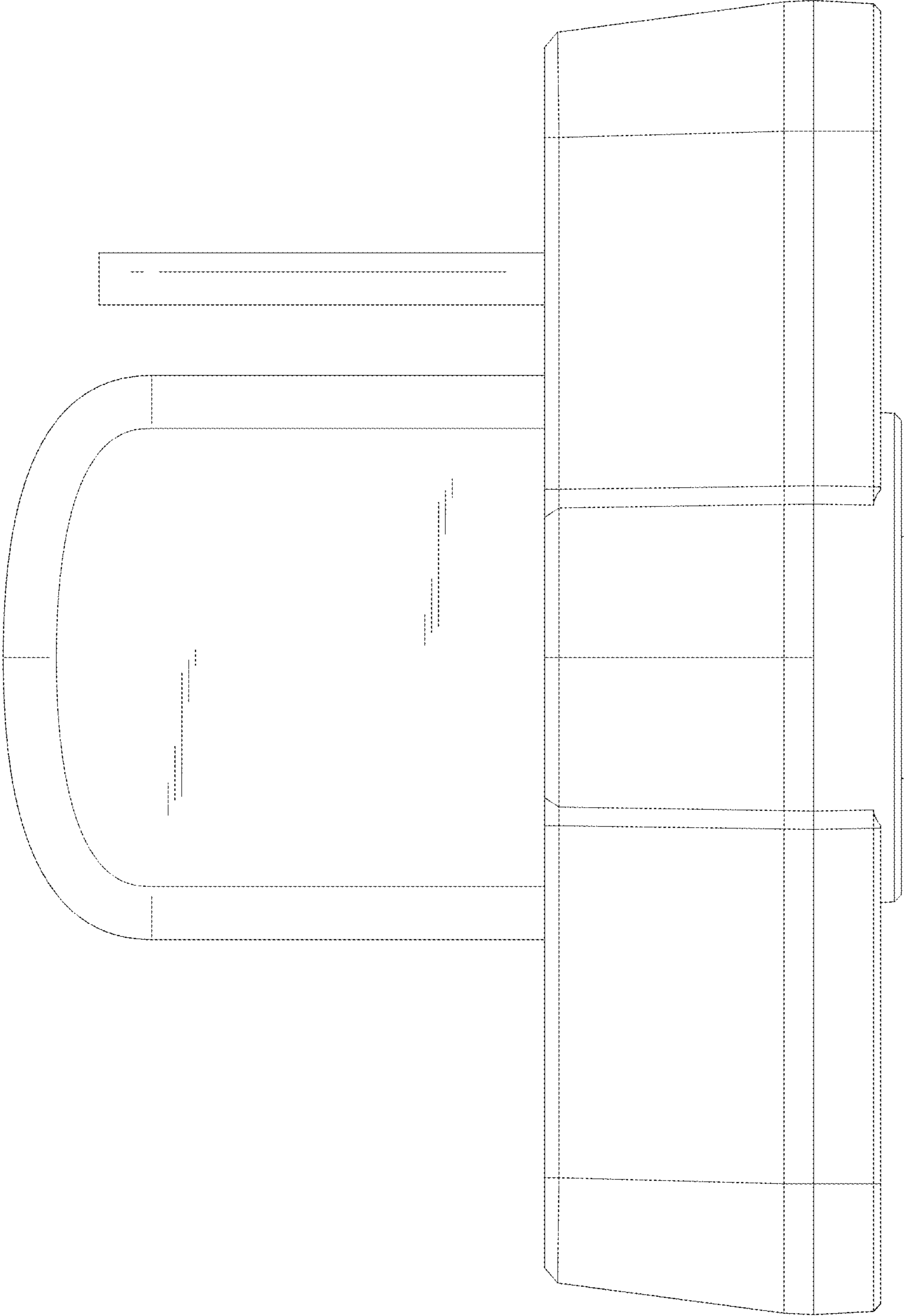


FIG. 6

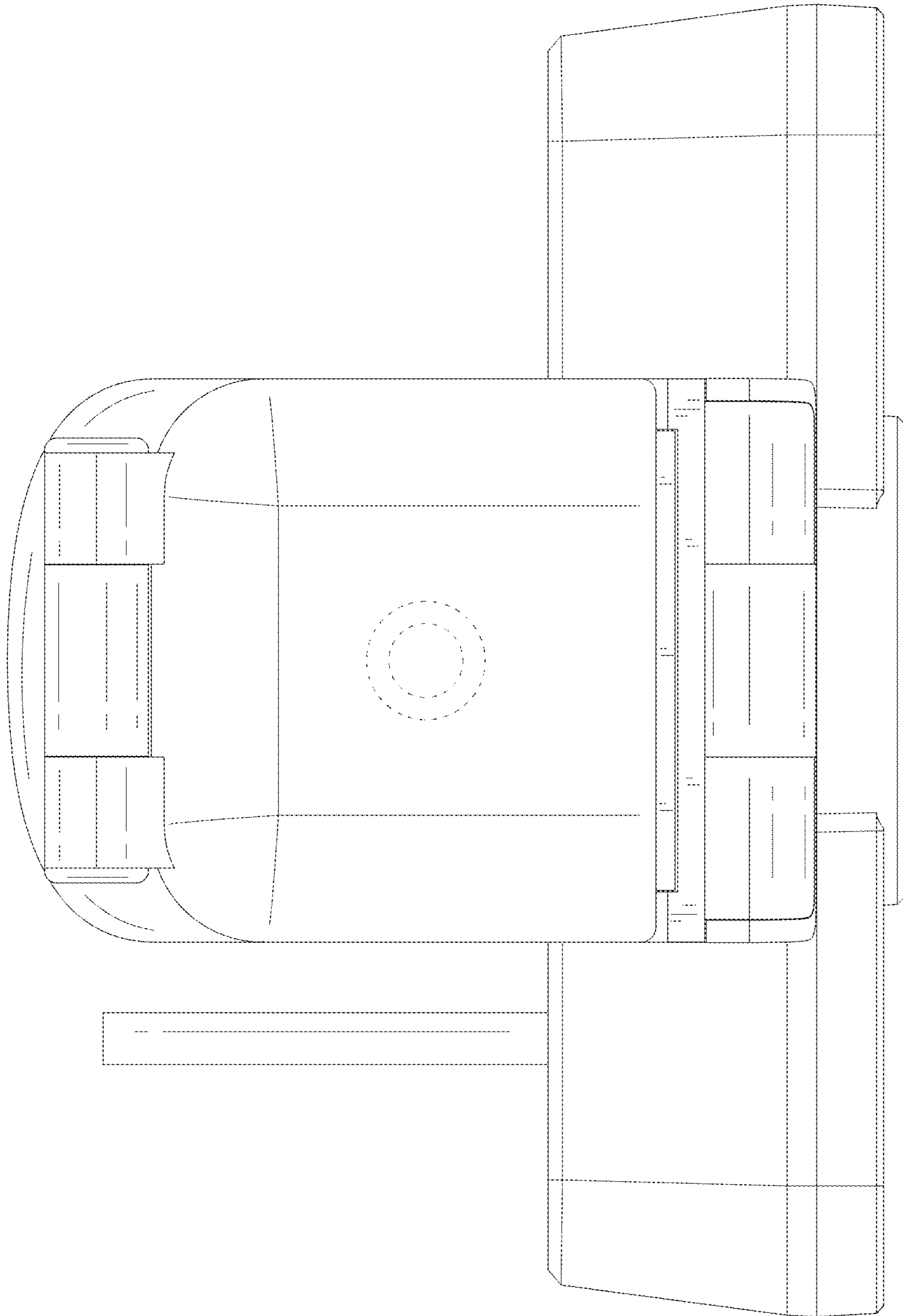


FIG. 7