



US00D910727S

(12) **United States Design Patent**
Tafe et al.

(10) **Patent No.:** **US D910,727 S**

(45) **Date of Patent:** **** Feb. 16, 2021**

- (54) **CATCH CAN FOR AUTOMOTIVE APPLICATIONS**
- (71) Applicant: **Resource International Inc.**, New Castle, DE (US)
- (72) Inventors: **Dan Tafe**, Newark, DE (US); **Kevin McCardle**, Philadelphia, PA (US)
- (73) Assignee: **Resource International Inc.**, New Castle, DE (US)
- (**) Term: **15 Years**
- (21) Appl. No.: **29/720,199**
- (22) Filed: **Jan. 10, 2020**
- (51) **LOC (13) Cl.** **15-09**
- (52) **U.S. Cl.**
USPC **D15/150**
- (58) **Field of Classification Search**
USPC D15/150, 151, 152; D23/209, 211
CPC F01M 9/00; F01M 9/06; F01M 9/002
See application file for complete search history.

- D309,974 S * 8/1990 Tannous D23/209
- D311,239 S * 10/1990 Lundquist D23/209
- D317,315 S * 6/1991 Miyake D15/150
- D332,300 S * 1/1993 Eastom D23/211.2
- D337,594 S * 7/1993 Strauch D15/152
- D337,774 S * 7/1993 Schillinger D15/150
- 5,486,290 A * 1/1996 McGinness B01D 29/072
210/323.2
- D374,447 S * 10/1996 Brewer D15/150
- D379,097 S * 5/1997 Brewer D15/150
- 5,634,502 A * 6/1997 Pierce F01M 11/04
141/331
- D396,868 S * 8/1998 Pingel D15/151
- D422,914 S * 4/2000 Lasky D9/451
- D438,932 S * 3/2001 McKinney D23/207
- D460,146 S * 7/2002 Setser D23/209
- D510,587 S * 10/2005 Tigerholm D15/150
- D518,555 S * 4/2006 De Muro, Jr. D23/209
- D539,822 S * 4/2007 Tseng D15/150

(Continued)

Primary Examiner — Patricia A Palasik
(74) *Attorney, Agent, or Firm* — Dunlap Bennett & Ludwig, PLLC; Brendan E. Squire

(57) **CLAIM**

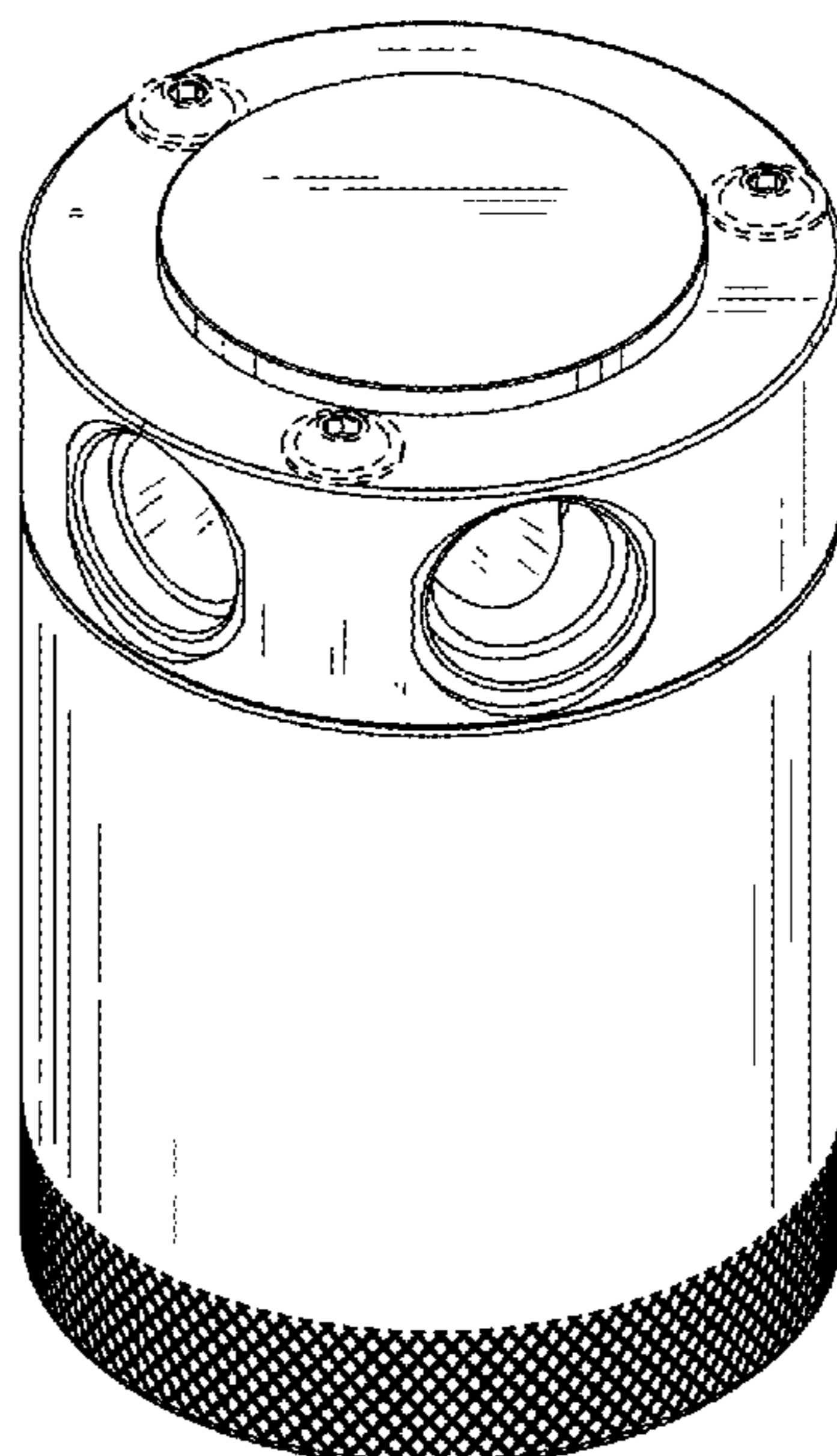
The ornamental design for a catch can for automotive applications, as shown and described.

DESCRIPTION

FIG. 1 is a front perspective view of a catch can showing our new design;
FIG. 2 is a front elevation view thereof;
FIG. 3 is a rear elevation view thereof;
FIG. 4 is a right side elevation view thereof;
FIG. 5 is a left side elevation view thereof;
FIG. 6 is a top plan view thereof; and,
FIG. 7 is a bottom plan view thereof.
The broken lines shown in the drawings illustrate portions of the catch can that form no part of the claimed design.

1 Claim, 6 Drawing Sheets

- (56) **References Cited**
U.S. PATENT DOCUMENTS
- 1,506,028 A * 8/1924 Perritt F16N 31/002
184/1.5
- 1,990,524 A * 2/1935 Bystricky F16N 5/00
138/34
- D129,867 S * 10/1941 Dunmire D15/150
- D145,692 S * 10/1946 Fitzpatrick D15/151
- D232,976 S * 9/1974 Ruter D15/5
- D264,614 S * 5/1982 Johnson, Sr. D23/209
- D280,757 S * 9/1985 Paulovich D23/207
- 4,702,290 A * 10/1987 Perez B67D 7/00
141/332
- 4,775,067 A * 10/1988 Mount B65D 25/00
137/312
- D307,913 S * 5/1990 Ogasawara D15/150



(56)

References Cited

U.S. PATENT DOCUMENTS

| | | | | | | |
|----------|---|---|---------|-----------|-------|------------|
| D562,429 | S | * | 2/2008 | Morris | | B01D 27/06 |
| | | | | | | D23/209 |
| D621,001 | S | * | 8/2010 | Maziel | | D23/209 |
| D638,042 | S | * | 5/2011 | Liao | | D15/152 |
| D650,402 | S | * | 12/2011 | Yamase | | D15/150 |
| D650,403 | S | * | 12/2011 | Yamase | | D15/150 |
| D717,913 | S | * | 11/2014 | Lin | | D15/152 |
| D727,462 | S | * | 4/2015 | Antonucci | | D23/209 |
| D728,069 | S | * | 4/2015 | Moore | | D23/209 |
| D817,440 | S | * | 5/2018 | Lossie | | D23/209 |
| D823,916 | S | * | 7/2018 | Lee | | D15/150 |
| D831,428 | S | * | 10/2018 | Gibson | | D7/533 |

* cited by examiner

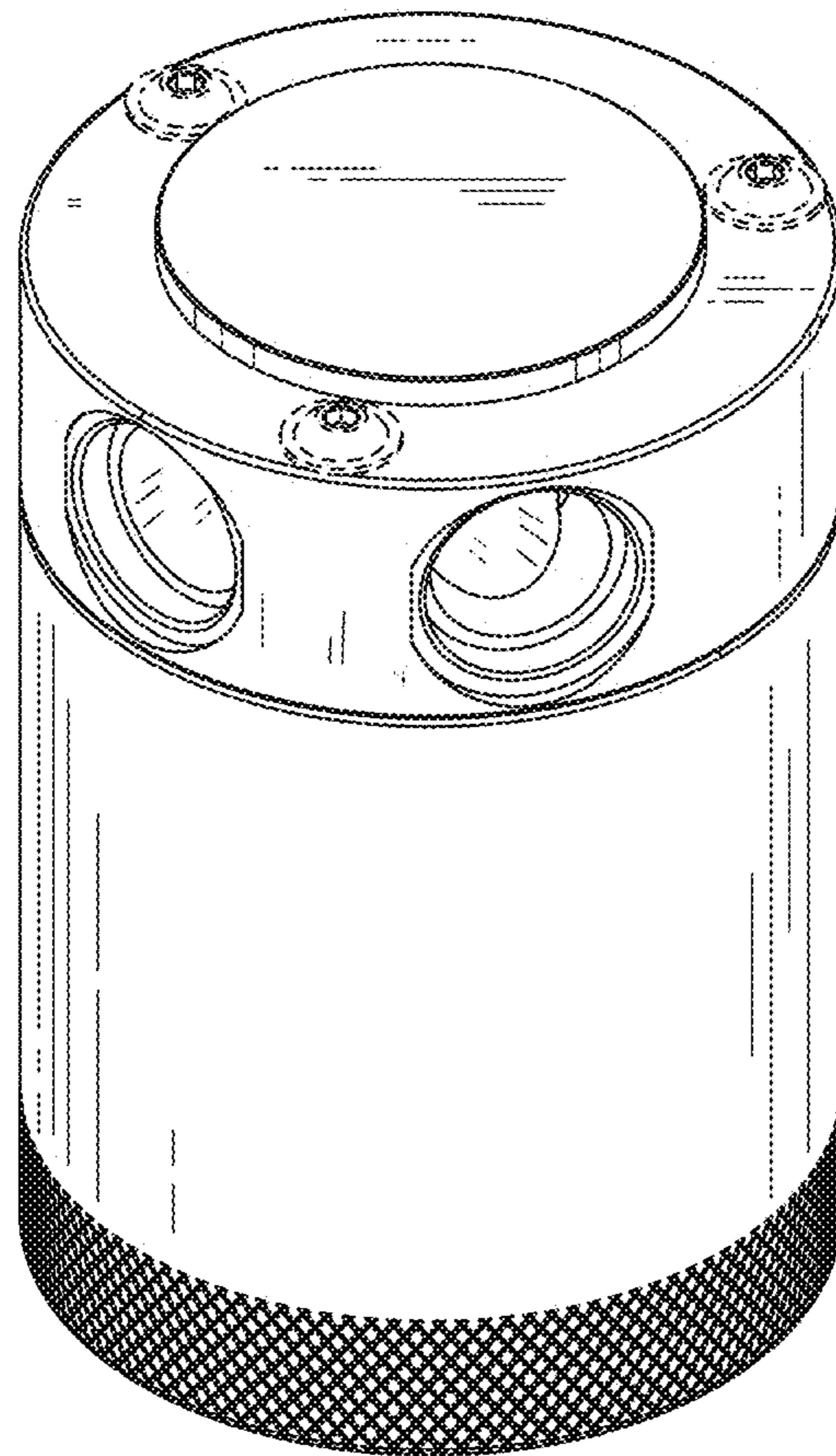


FIGURE 1

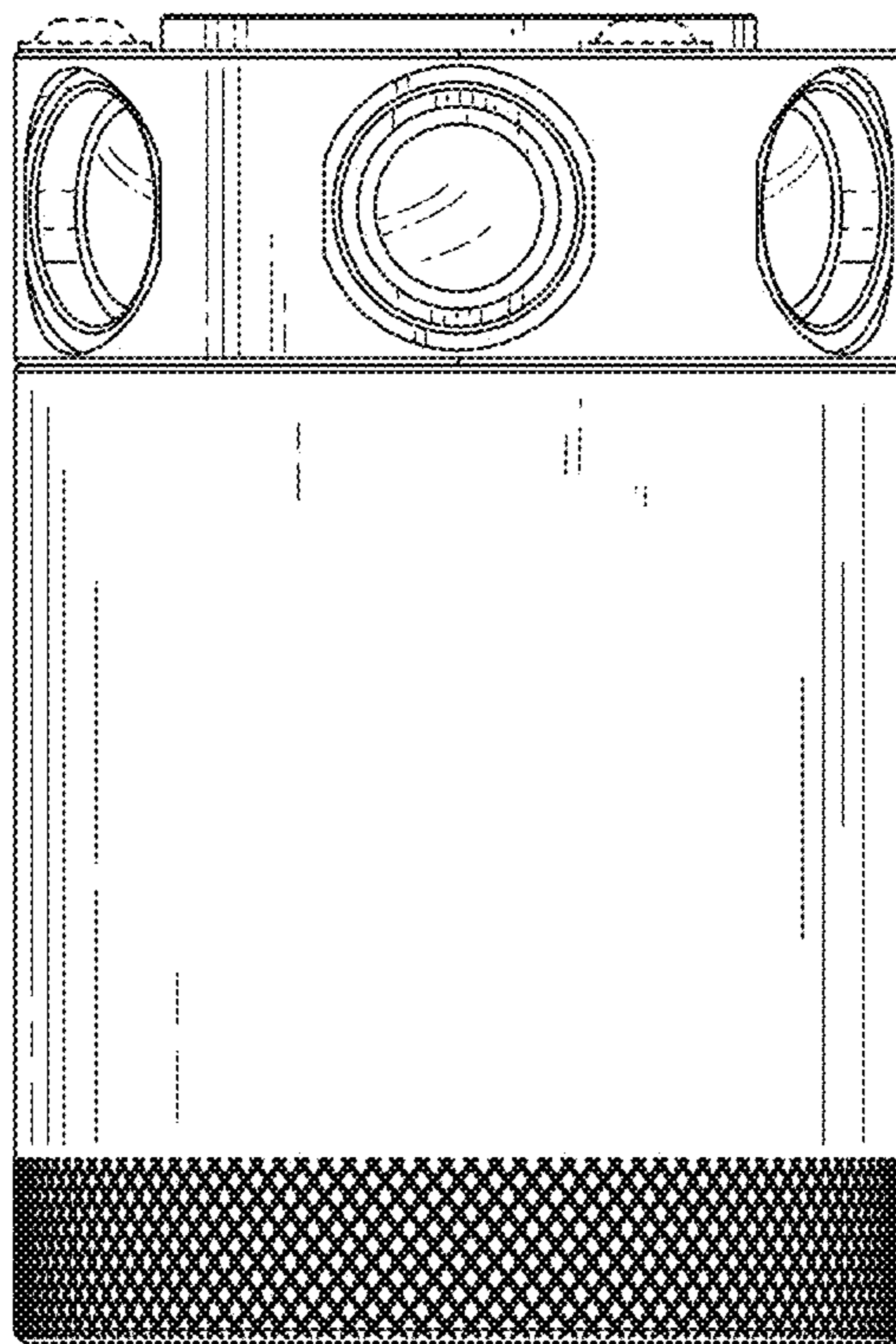


FIGURE 2

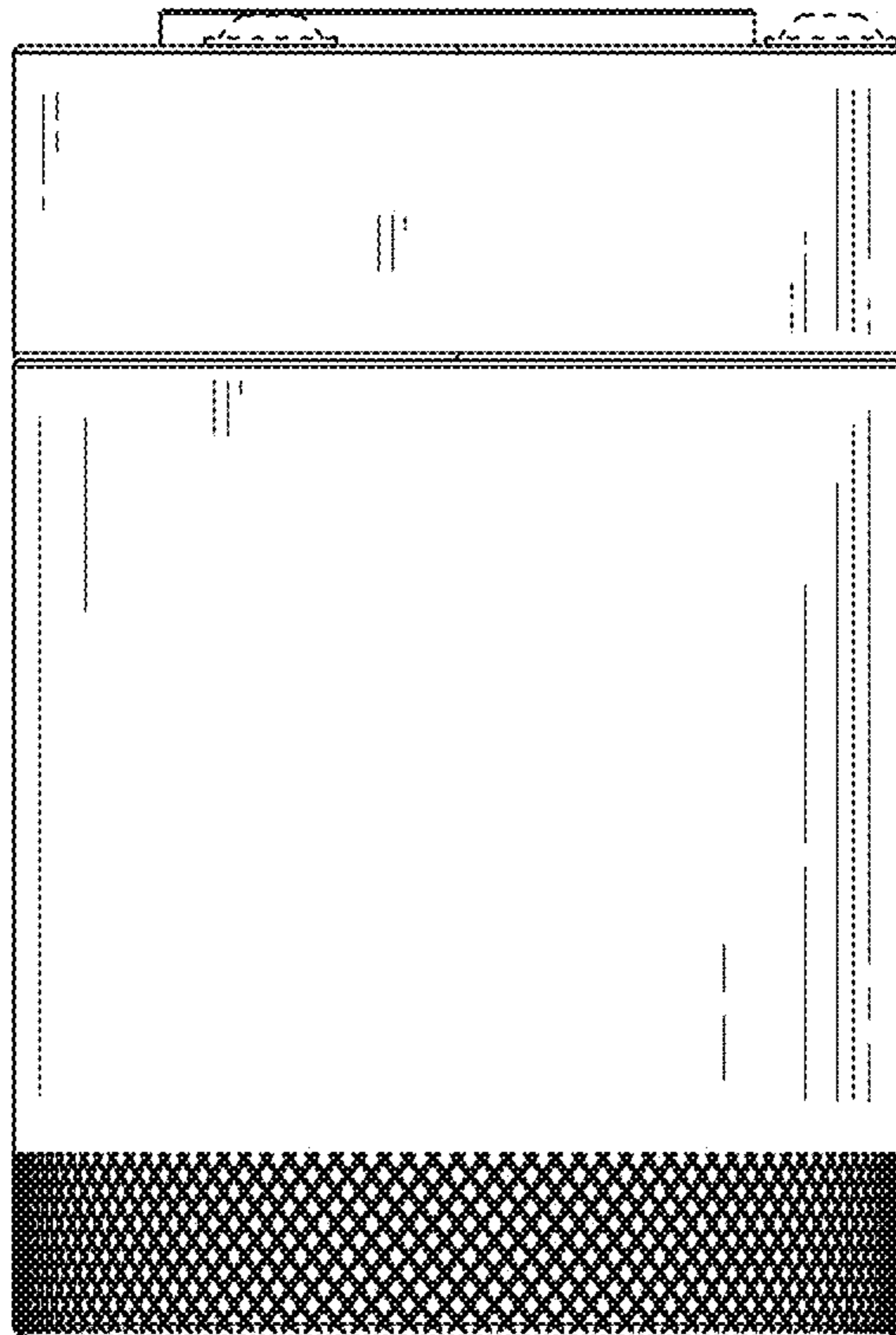


FIGURE 3

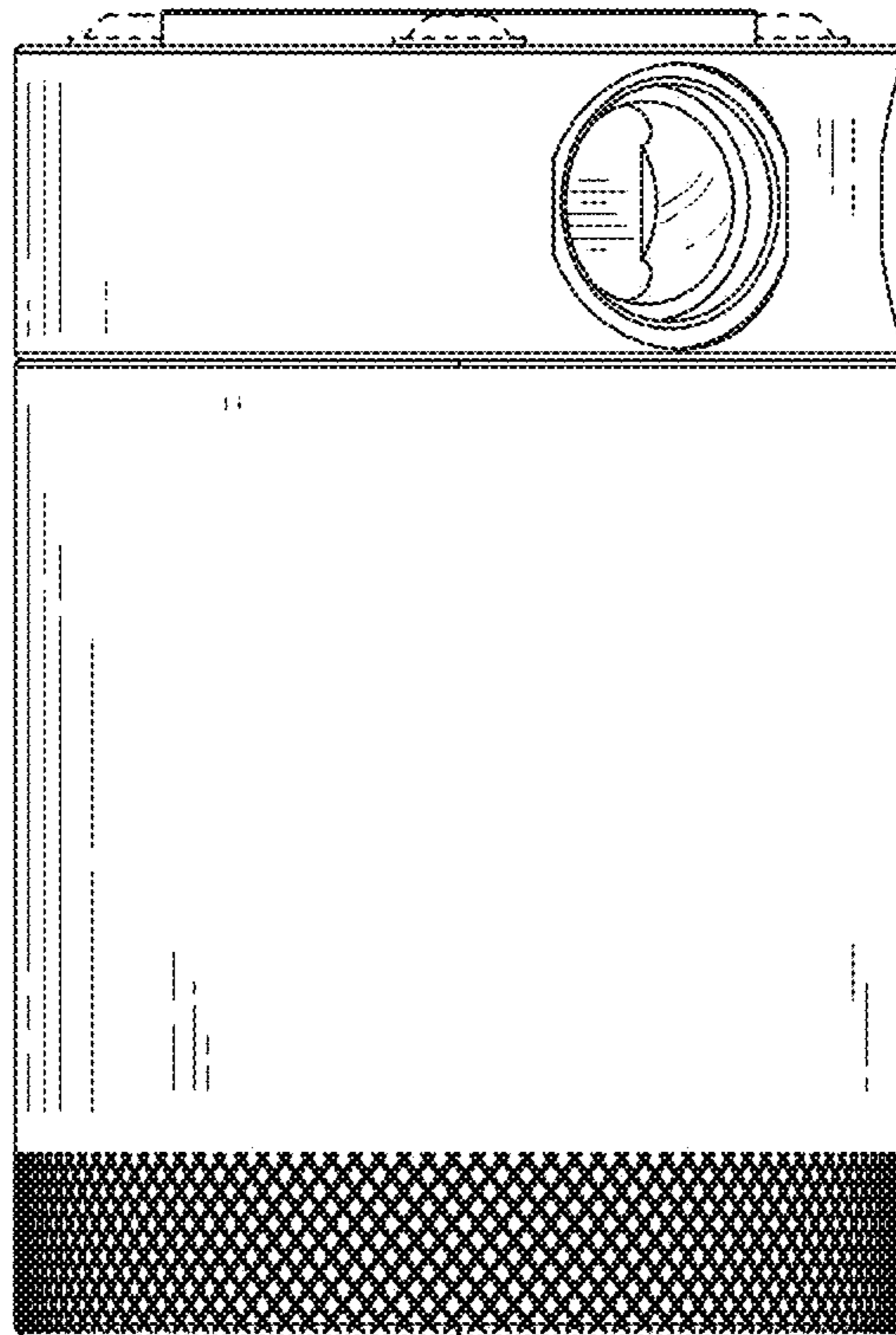


FIGURE 4

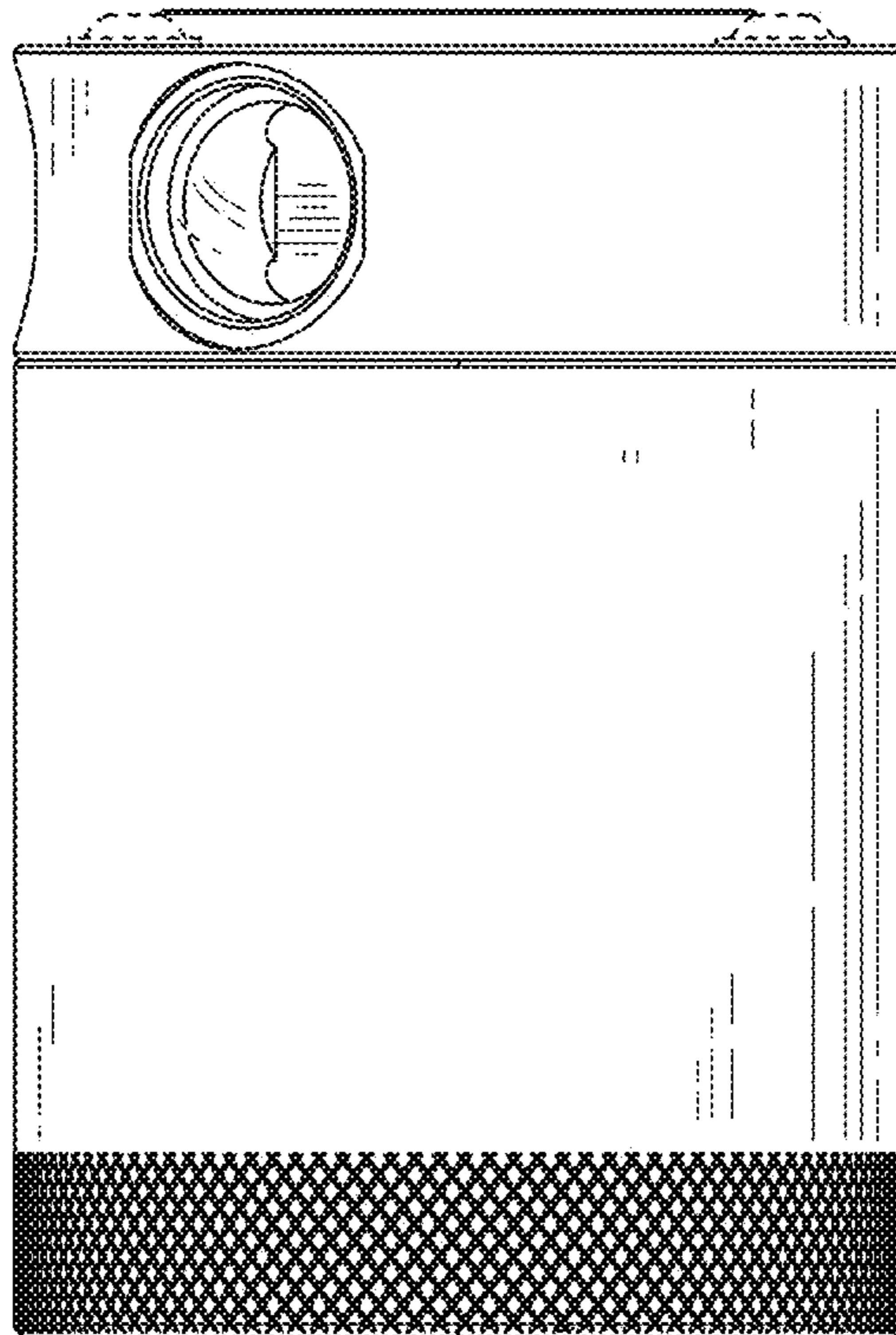


FIGURE 5

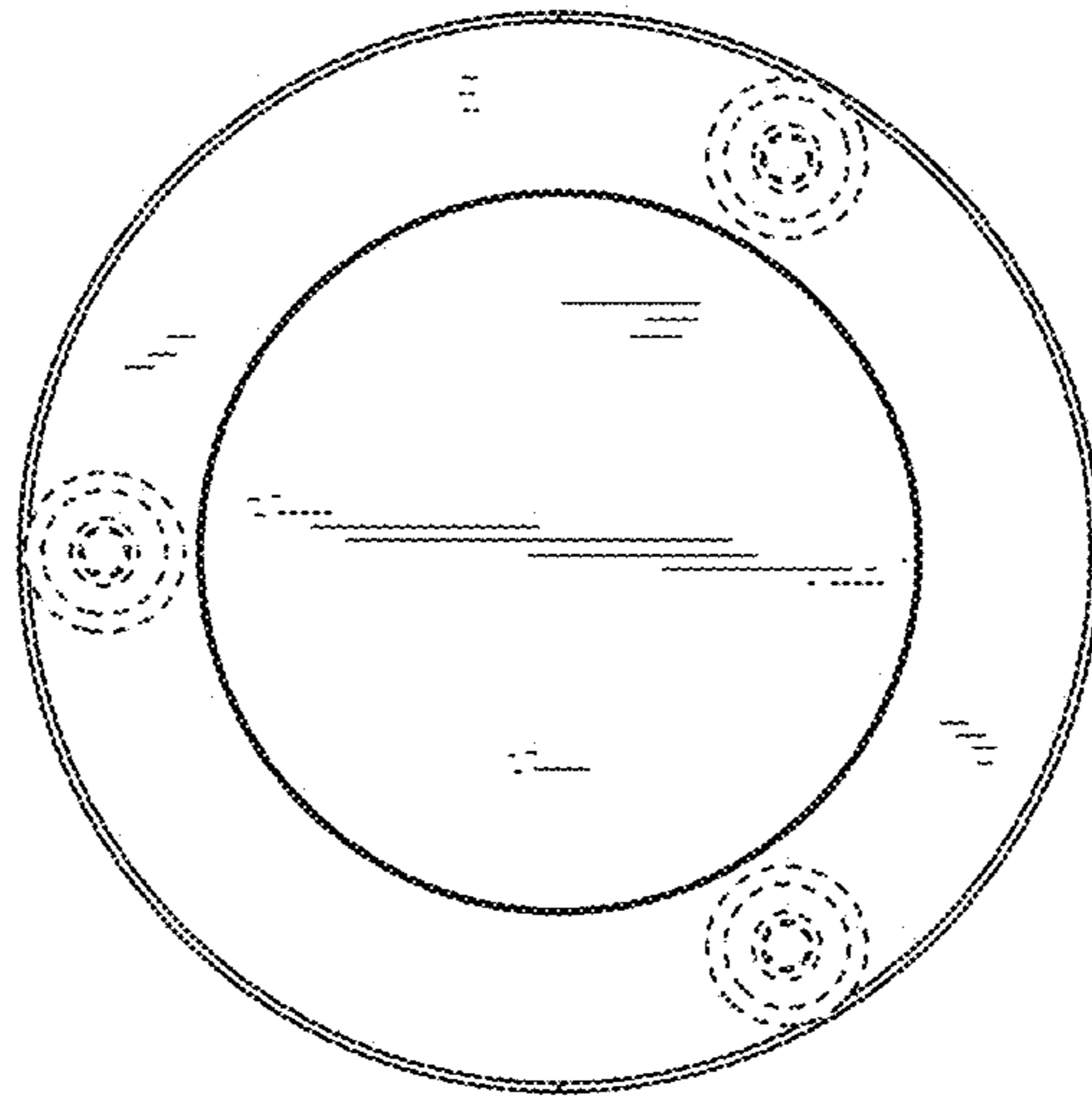


FIGURE 6

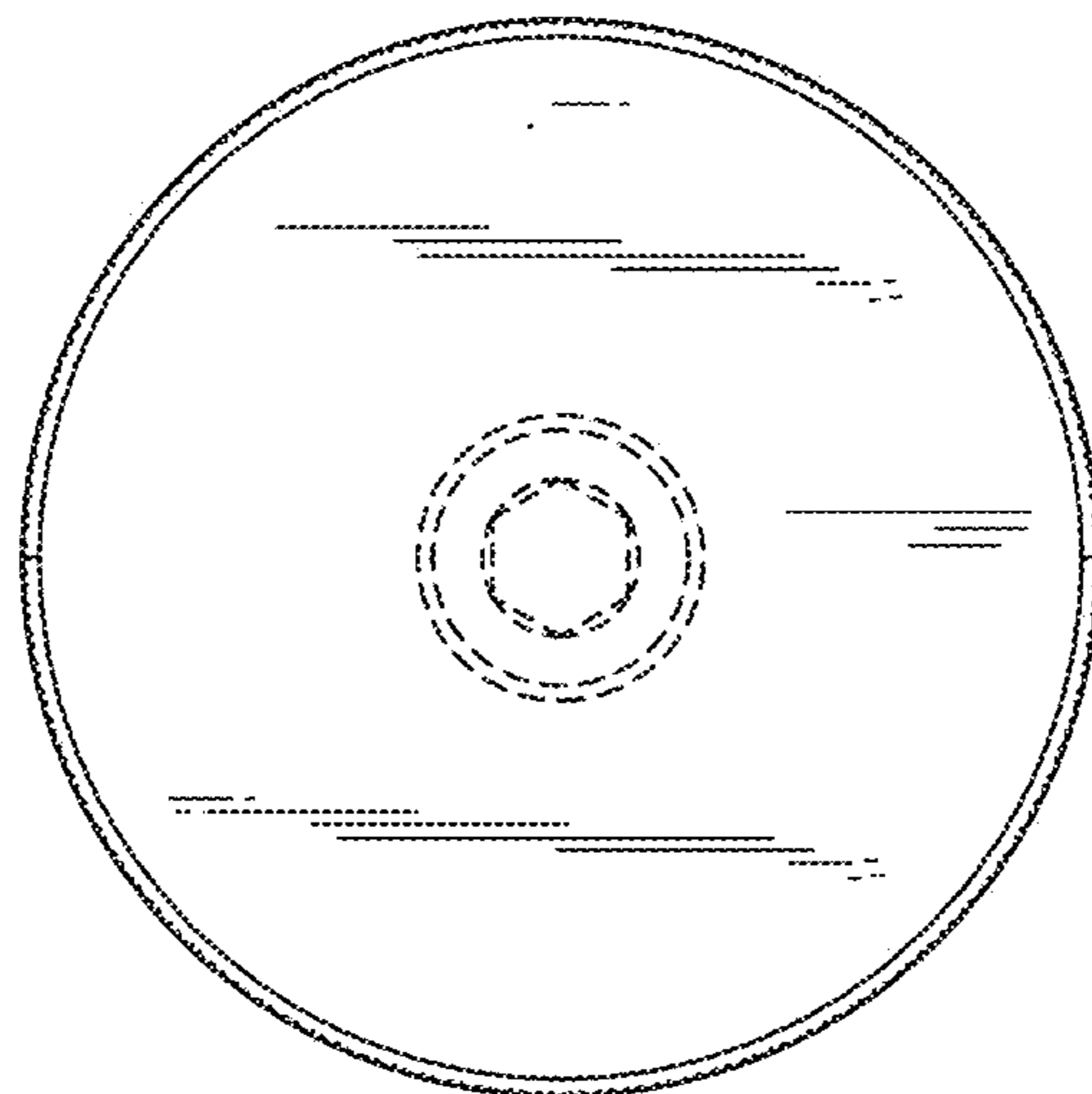


FIGURE 7