



US00D910726S

(12) **United States Design Patent**  
**Sun**

(10) **Patent No.:** **US D910,726 S**

(45) **Date of Patent:** **\*\* Feb. 16, 2021**

- (54) **VACUUM FRESH CONTAINER**
- (71) Applicant: **Cixi Tianyou Electric Co., Ltd., Cixi (CN)**
- (72) Inventor: **Wutong Sun, Cixi (CN)**
- (\*\*) Term: **15 Years**
- (21) Appl. No.: **29/719,002**
- (22) Filed: **Dec. 31, 2019**
- (51) **LOC (13) Cl.** ..... **15-09**
- (52) **U.S. Cl.**  
USPC ..... **D15/146**
- (58) **Field of Classification Search**  
USPC ..... D7/609; D15/145, 146; D18/50  
CPC ..... B65B 31/00; B65B 31/046; B65B 31/047;  
B65D 81/2038; B65D 85/50  
See application file for complete search history.

- 7,076,929 B2 \* 7/2006 Patterson ..... B65B 51/146  
53/405
- 7,124,557 B2 \* 10/2006 Small ..... B65B 31/046  
53/510
- 7,134,259 B2 \* 11/2006 Huang ..... B65B 31/046  
53/512
- D536,355 S \* 2/2007 Levsen ..... D15/146
- 7,204,067 B2 \* 4/2007 Baptista ..... B65B 31/046  
53/405
- 7,392,641 B2 \* 7/2008 Abate ..... B65B 31/046  
53/374.9
- D593,813 S \* 6/2009 Yu ..... D7/629

(Continued)

*Primary Examiner* — Patricia A Palasik

(74) *Attorney, Agent, or Firm* — HYIP

(57) **CLAIM**

The ornamental design for a vacuum fresh container, as shown and described.

**DESCRIPTION**

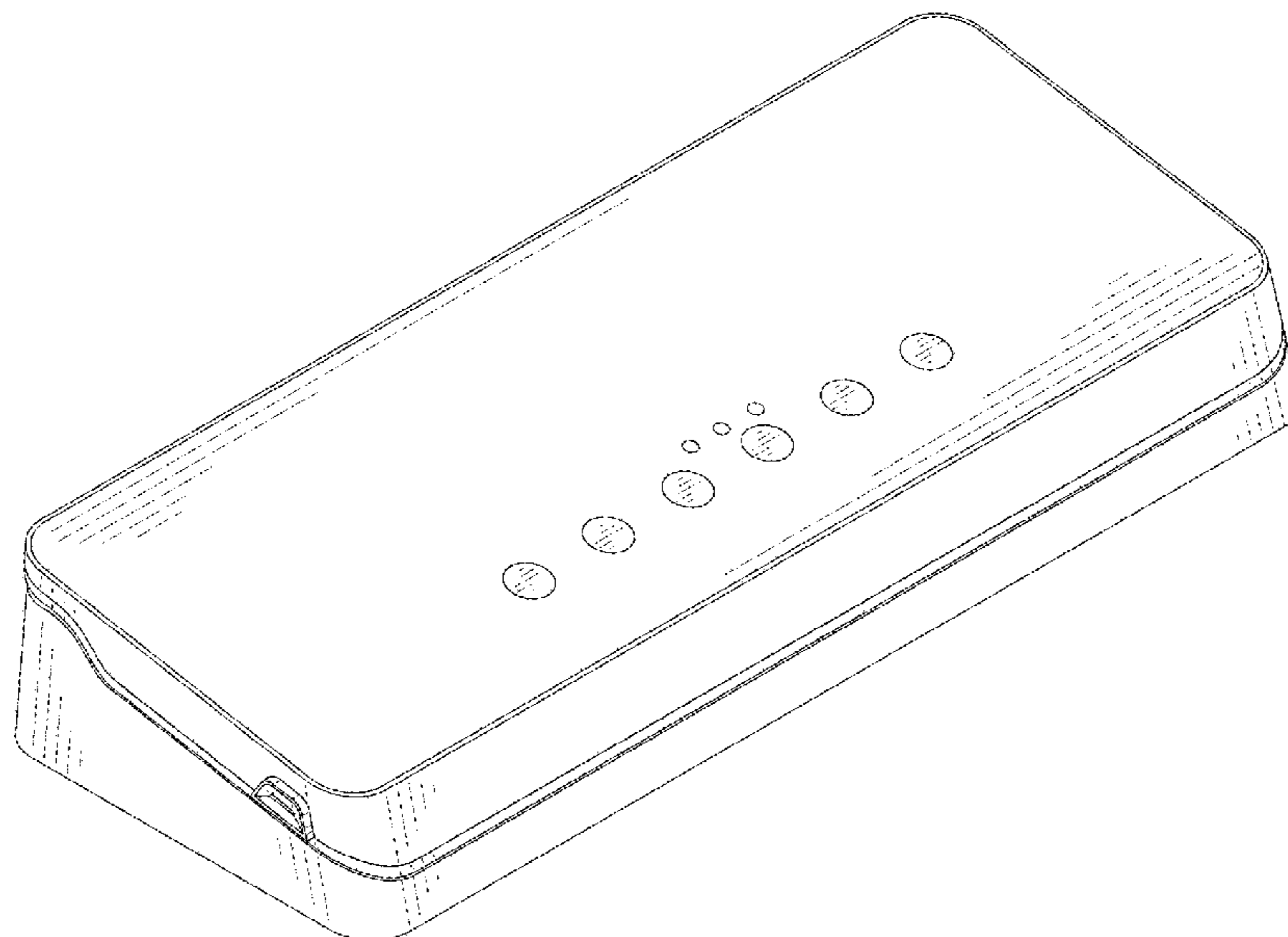
FIG. 1 is a first perspective view of a vacuum fresh container showing my new design;  
 FIG. 2 is a second perspective view thereof;  
 FIG. 3 is a front view thereof;  
 FIG. 4 is a back view thereof;  
 FIG. 5 is a left side view thereof;  
 FIG. 6 is a right side view thereof;  
 FIG. 7 is a top view thereof;  
 FIG. 8 is a bottom view thereof;  
 FIG. 9 is a perspective view of another state of the vacuum fresh container thereof;  
 FIG. 10 is a perspective view of another state of the vacuum fresh container thereof; and,  
 FIG. 11 is an exploded view of another state of the vacuum fresh container thereof.  
 The broken lines shown in the drawings depict portions of the vacuum fresh container in which the design is embodied that form no part of the claimed design.

(56) **References Cited**

U.S. PATENT DOCUMENTS

- 4,561,925 A \* 12/1985 Skerjanec ..... B29C 66/861  
156/379.6
- D301,238 S \* 5/1989 Makihara ..... D15/146
- 4,941,310 A \* 7/1990 Kristen ..... B65B 31/046  
53/512
- 5,352,323 A \* 10/1994 Chi ..... B65B 51/148  
156/583.9
- 5,655,357 A \* 8/1997 Kristen ..... B65B 31/04  
53/512
- 5,806,575 A \* 9/1998 Tsay ..... B65D 81/2015  
141/192
- D414,084 S \* 9/1999 Schmidt ..... D7/609
- 5,964,255 A \* 10/1999 Schmidt ..... B65B 31/047  
141/65
- D510,369 S \* 10/2005 Presta ..... D15/146
- D515,601 S \* 2/2006 Sholzberg ..... D15/146
- 7,003,928 B2 \* 2/2006 Patterson ..... B65B 31/06  
53/405

**1 Claim, 11 Drawing Sheets**





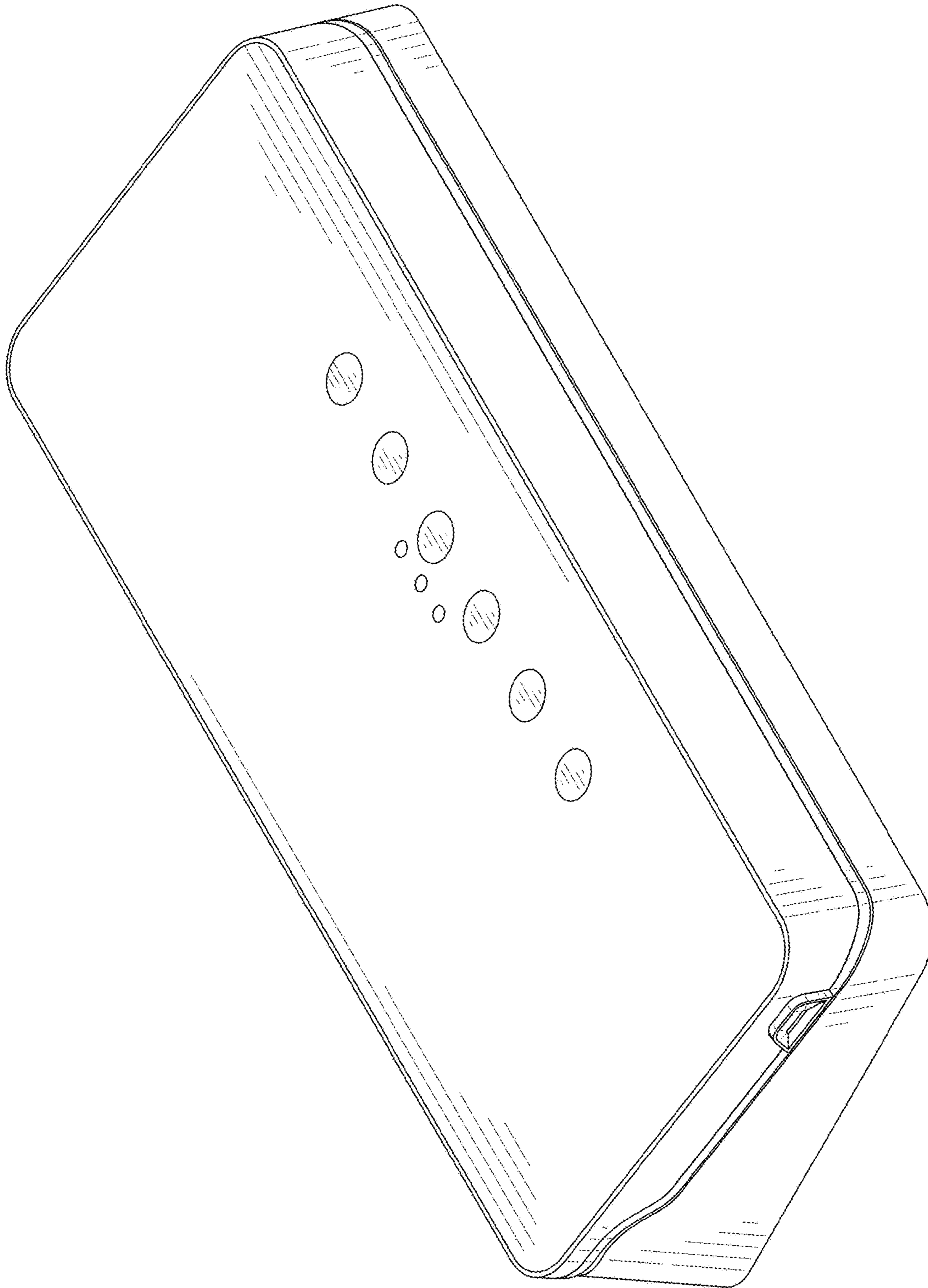


FIG. 1

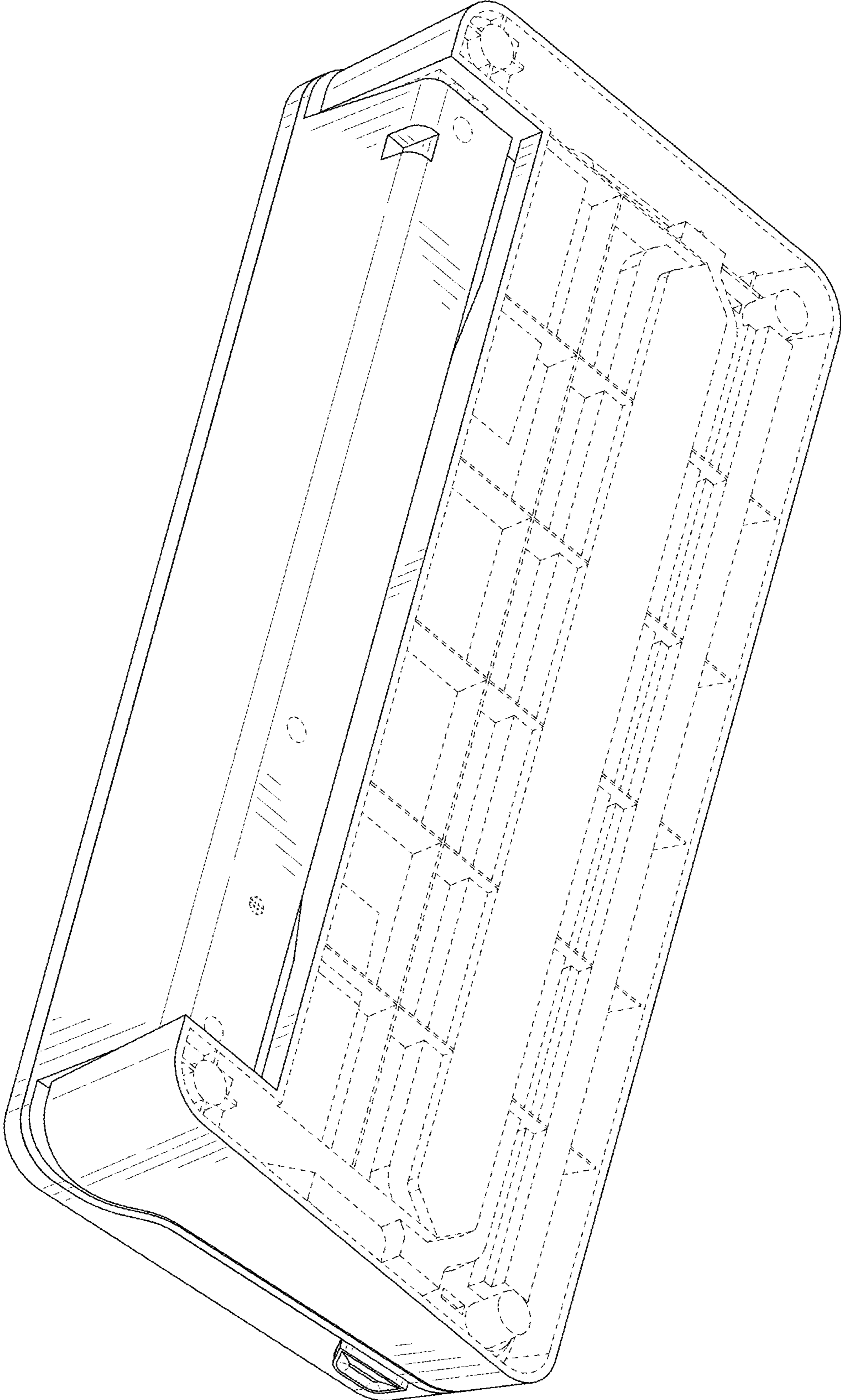


FIG. 2



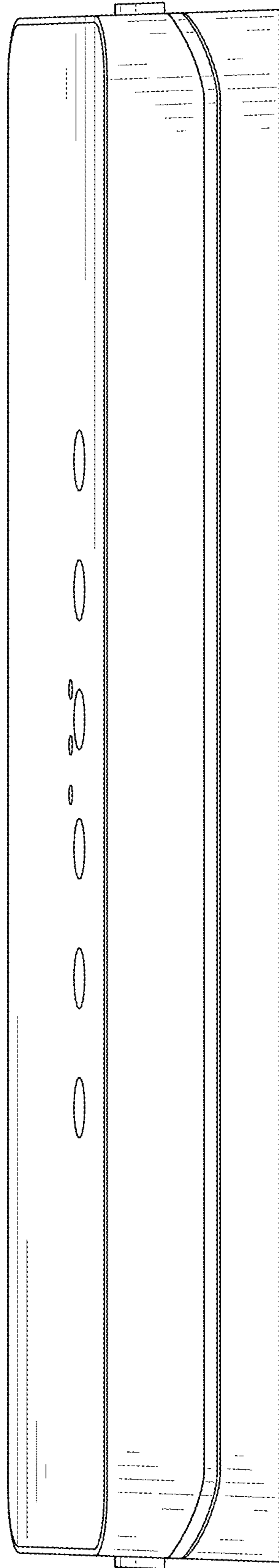


FIG. 3

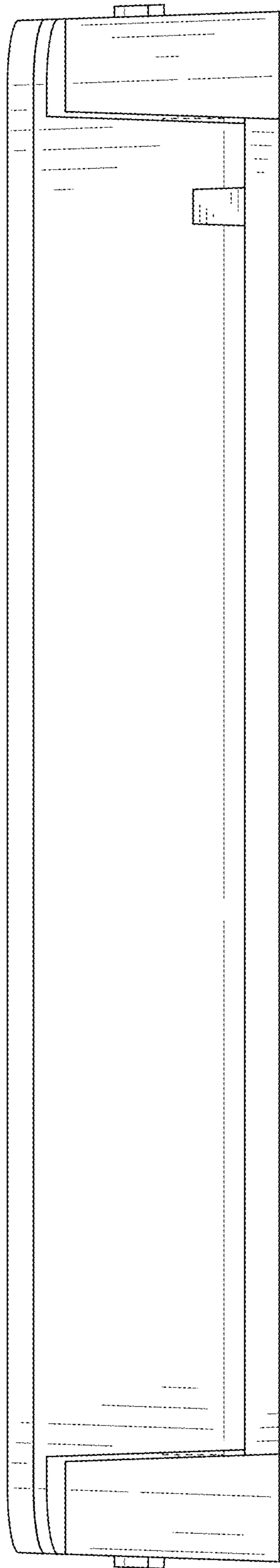


FIG. 4

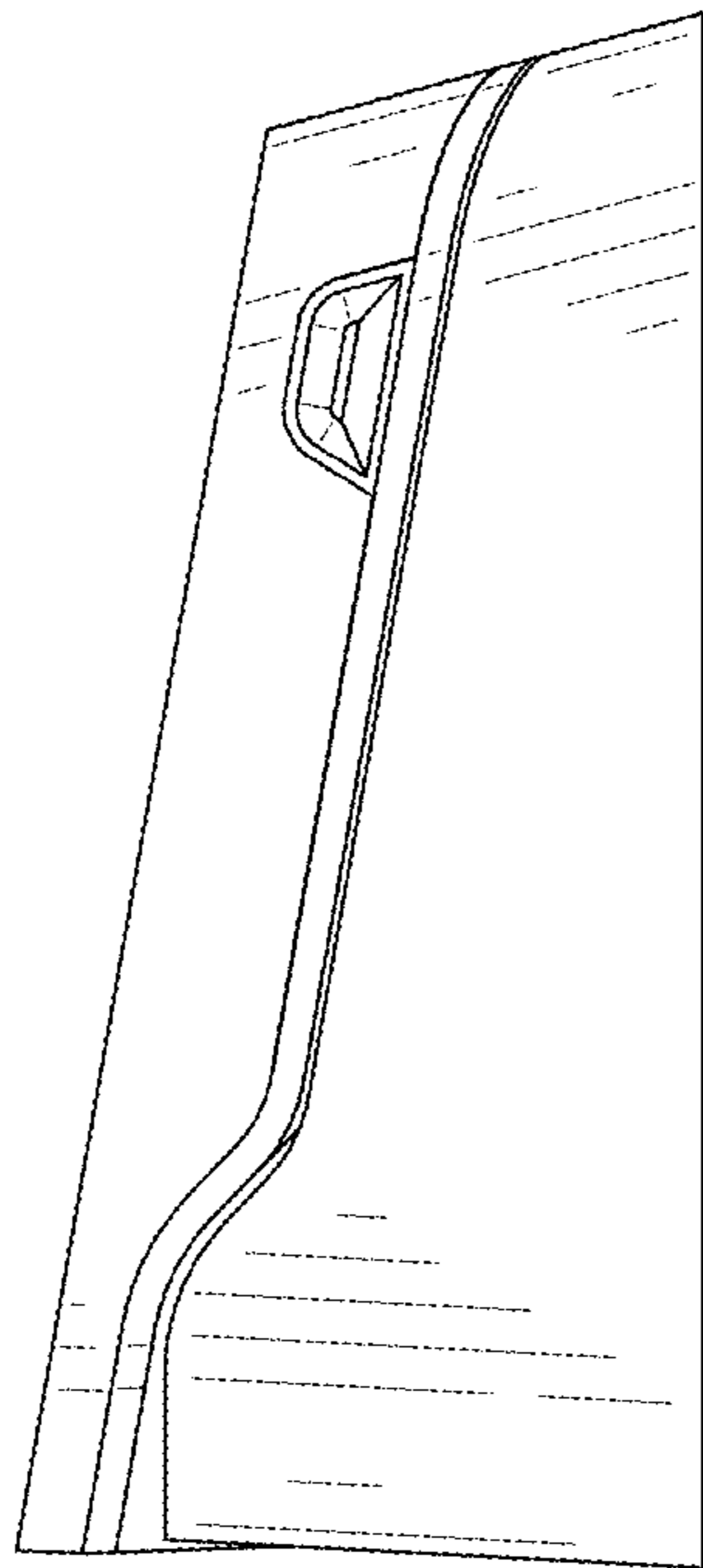


FIG. 5

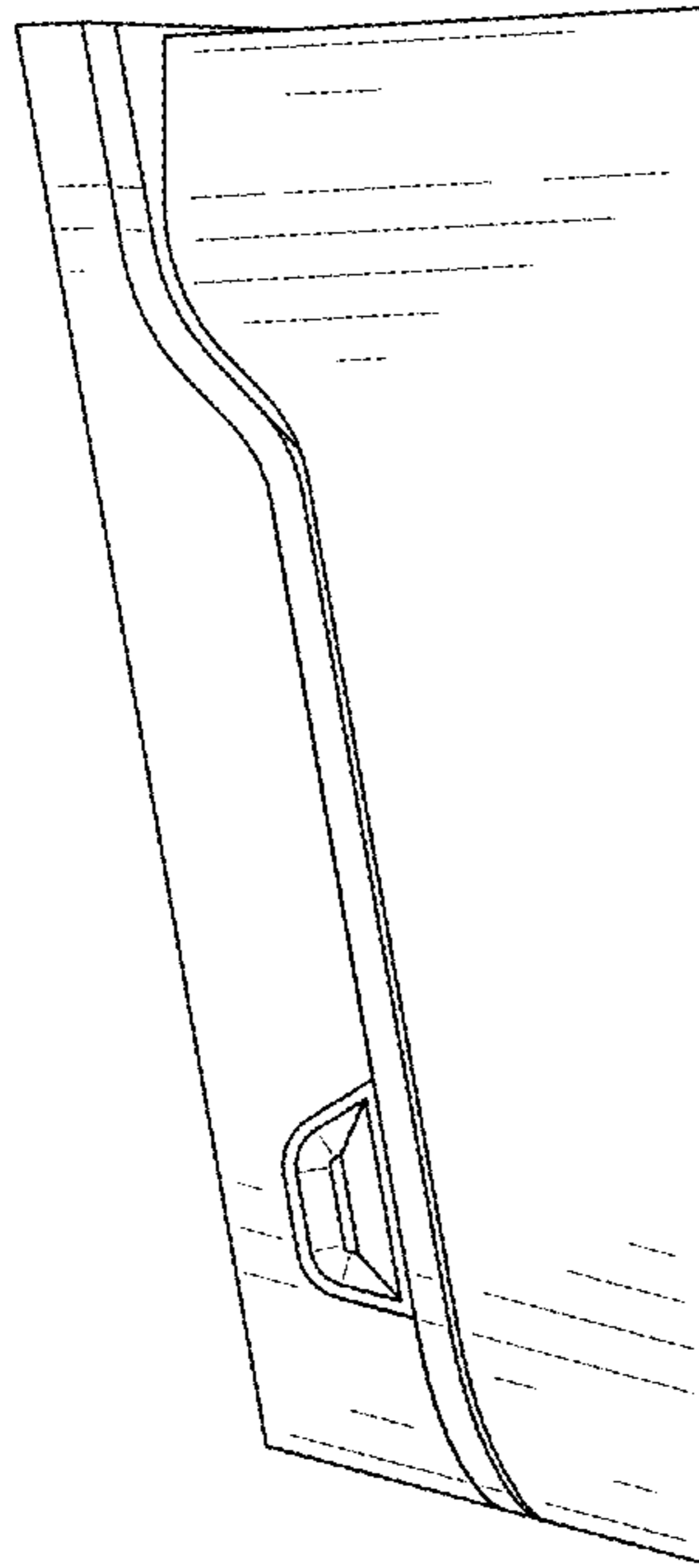


FIG. 6



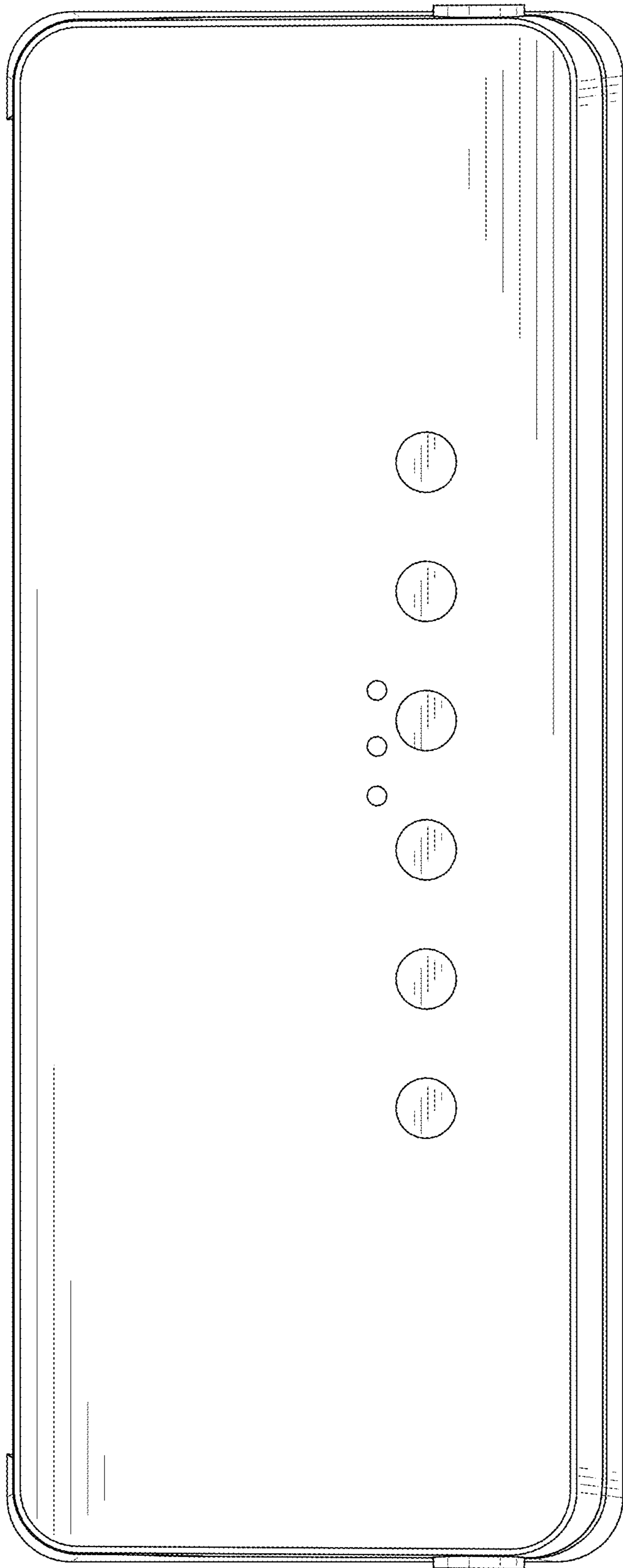


FIG. 7

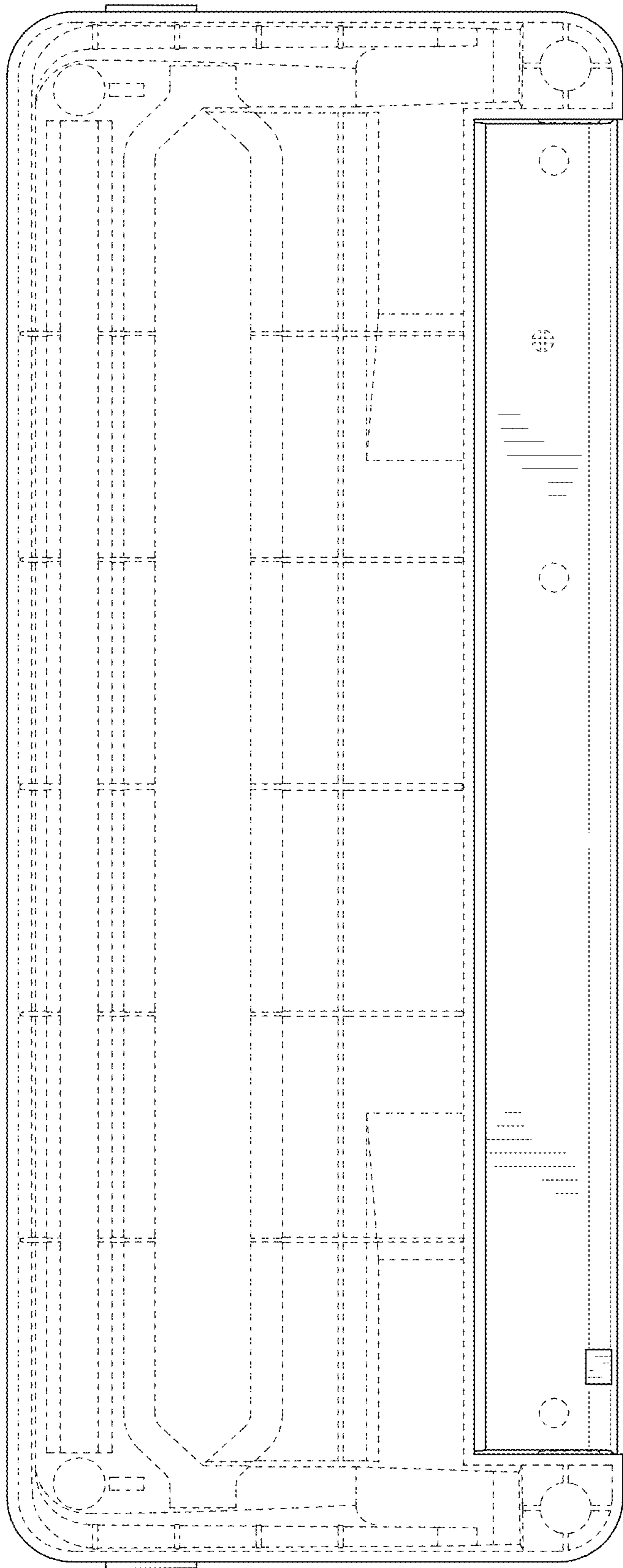


FIG. 8

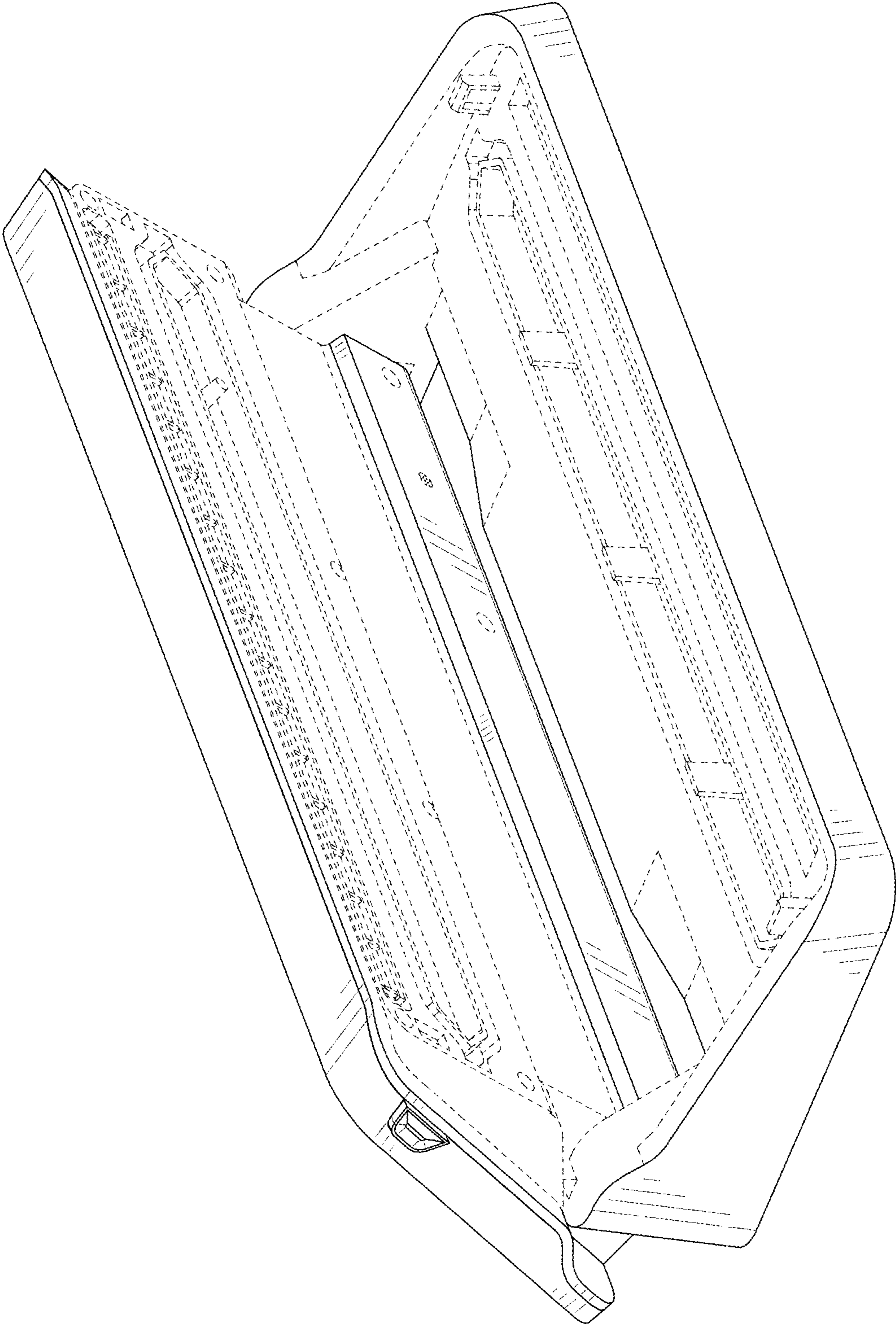


FIG. 9

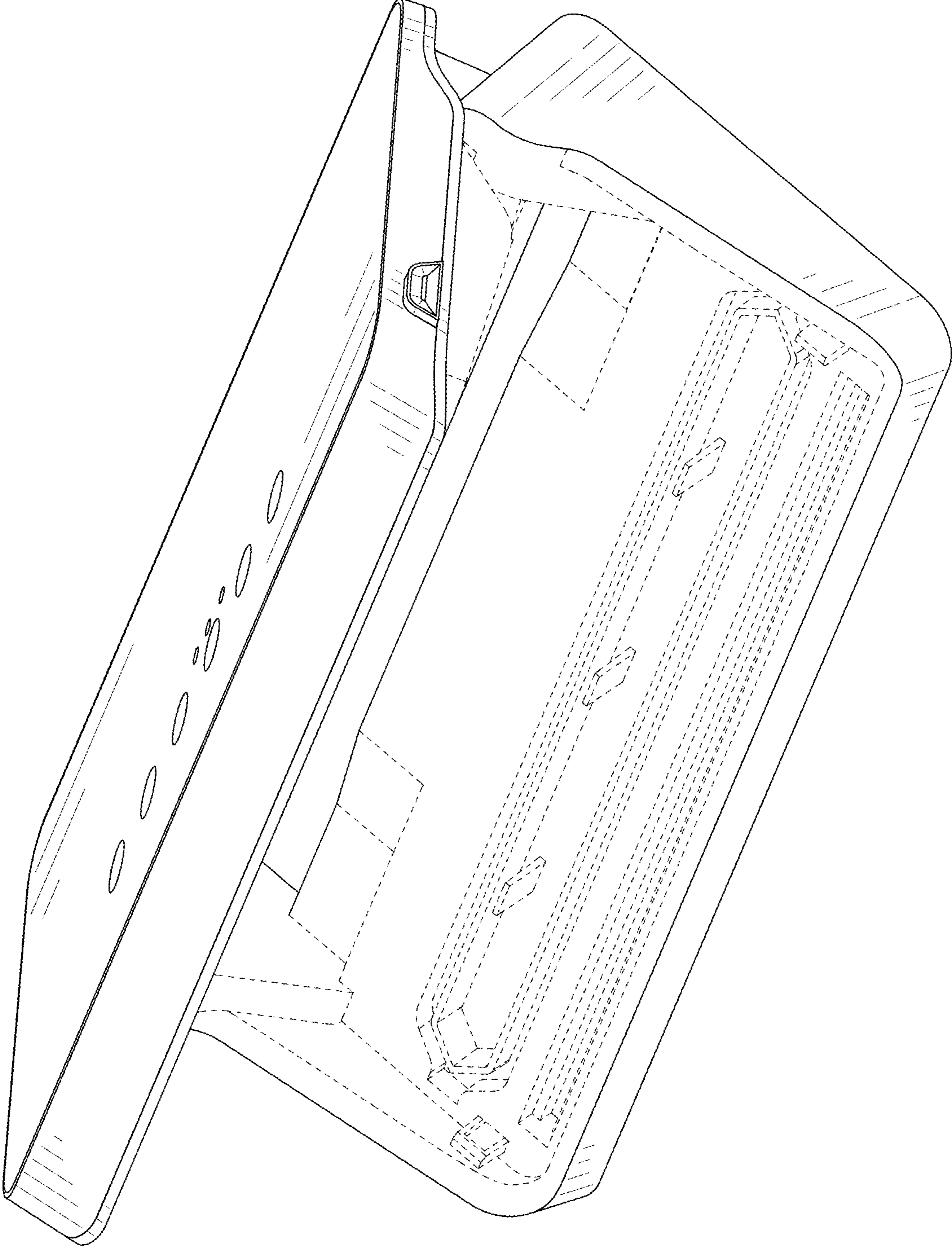


FIG. 10



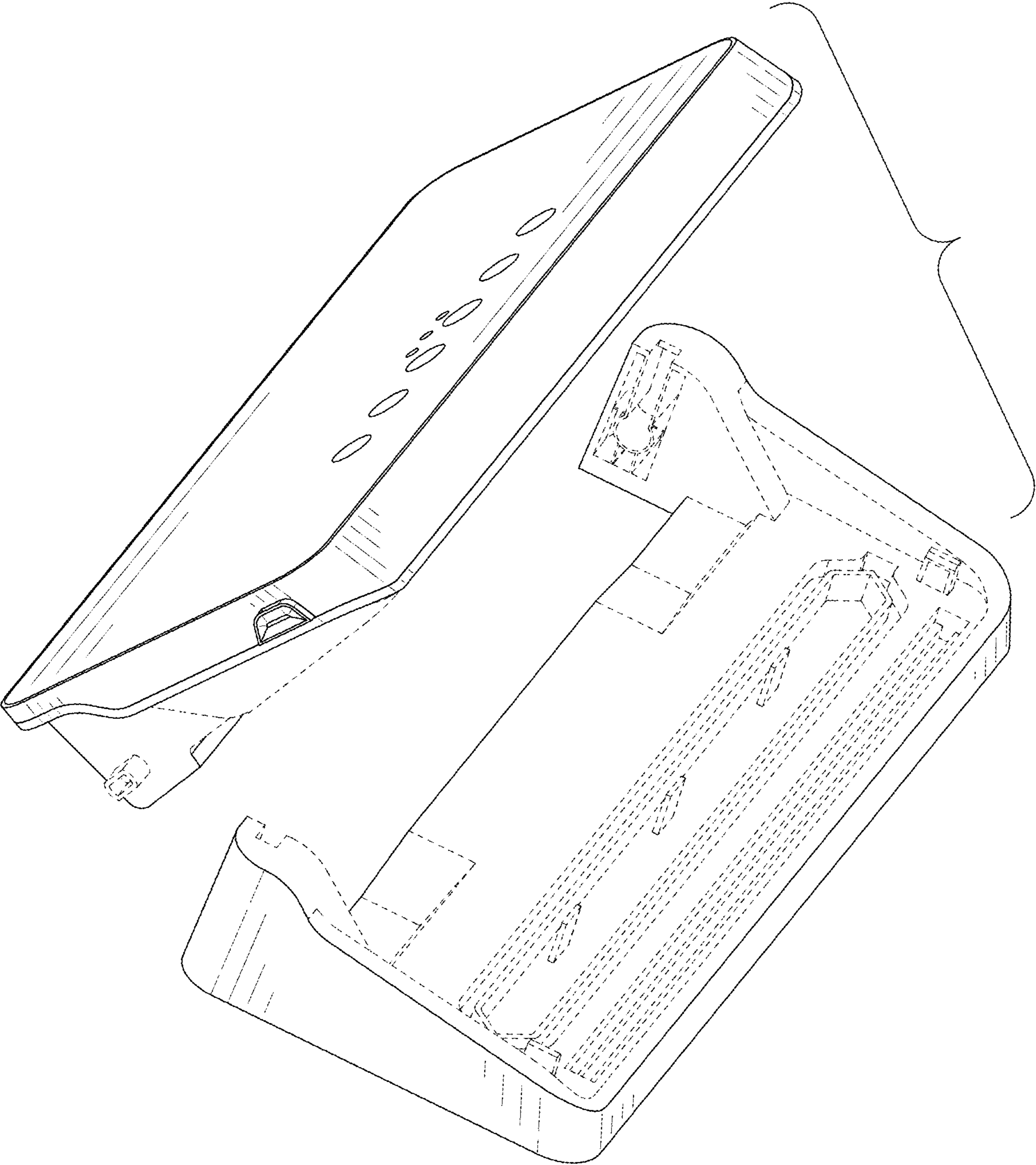


FIG. 11