



US00D910725S

(12) **United States Design Patent** (10) **Patent No.:** **US D910,725 S**
Schultz et al. (45) **Date of Patent:** **** Feb. 16, 2021**

(54) **VERTICAL SHAFT IMPACT CRUSHER
ROTOR FLOOR**

4,347,998 A 9/1982 Loree
4,373,678 A 2/1983 Reitter
D268,498 S * 4/1983 Bagby D15/123
(Continued)

(71) Applicant: **Superior Industries, Inc.**, Morris, MN
(US)

FOREIGN PATENT DOCUMENTS

(72) Inventors: **Michael Schultz**, Troutdale, OR (US);
Robert Ross, Ridgefield, WA (US)

AU 2016206754 A1 12/2016
CN 204486000 U 7/2015
(Continued)

(73) Assignee: **Superior Industries, Inc.**, Morris, MN
(US)

OTHER PUBLICATIONS

(**) Term: **15 Years**

Valor Vertical Shaft Impactor, posted on superior-ind.com, no posted date given, no production date given, [online], [site visited Apr. 7, 2020], available from internet, URL: https://superior-ind.com/crushing/valor-vertical-shaft-impactor-vsi/ (Year: 2020).*

(21) Appl. No.: **29/609,805**

(Continued)

(22) Filed: **Jul. 5, 2017**

Related U.S. Application Data

(63) Continuation-in-part of application No.
PCT/US2017/040061, filed on Jun. 29, 2017.

Primary Examiner — Michael C Stout

Assistant Examiner — Fritzgerald L Butac

(51) **LOC (13) Cl.** **15-09**

(74) *Attorney, Agent, or Firm* — Todd R. Fronek; Larkin Hoffman Daly & Lindgren Ltd.

(52) **U.S. Cl.**
USPC **D15/123**

(57) **CLAIM**

(58) **Field of Classification Search**
USPC D8/14, 70, 71, 75, 86, 349, 353, 354,
D8/403; D15/10, 12, 13, 15, 17, 19, 21,
D15/29, 122, 123, 124, 138, 139, 140,
D15/144, 144.1, 144.2, 147, 199
CPC B02C 13/06; B02C 13/28; B02C 13/282;
B02C 13/30; B02C 2201/06
See application file for complete search history.

The ornamental design for a vertical shaft impact crusher rotor floor, as shown and described.

DESCRIPTION

(56) **References Cited**

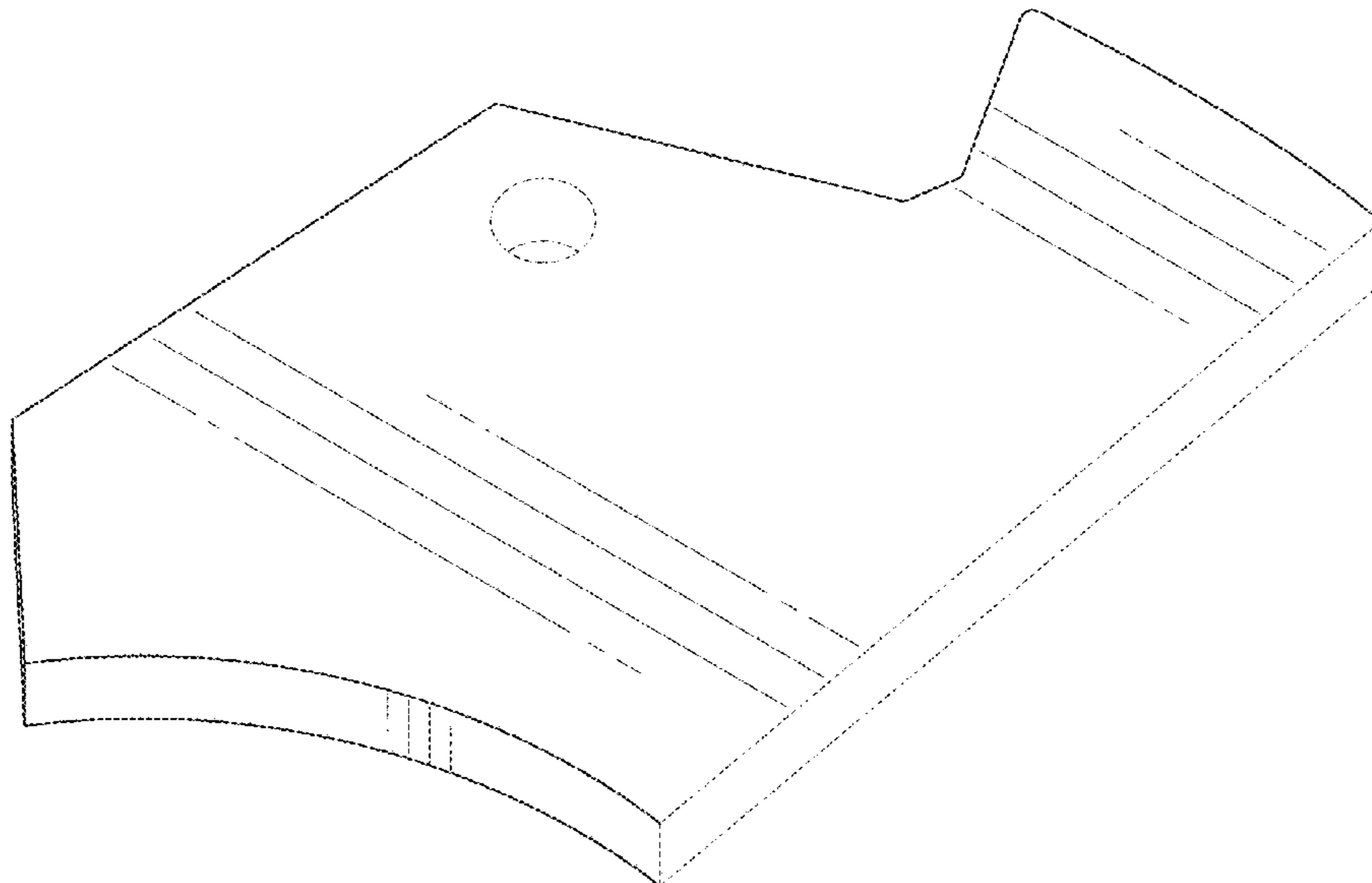
U.S. PATENT DOCUMENTS

3,955,767 A 5/1976 Hise
4,145,009 A 3/1979 Fukui
D254,256 S 2/1980 Ackers et al.
D254,257 S * 2/1980 Ackers D15/123
D254,851 S * 4/1980 Ackers D15/123

FIG. 1 is a perspective view of a vertical shaft impact crusher rotor floor showing our new design;
FIG. 2 is a front elevation view thereof;
FIG. 3 is a rear elevation view thereof;
FIG. 4 is a left elevation view thereof;
FIG. 5 is a right elevation view thereof;
FIG. 6 is a plan view thereof; and,
FIG. 7 is a bottom view thereof.

The broken lines are for the purpose of showing environmental structure, and form no part of the claimed design.

1 Claim, 7 Drawing Sheets



(56)

References Cited

U.S. PATENT DOCUMENTS

4,560,113 A 12/1985 Szalanski
 4,575,013 A 3/1986 Bartley
 4,586,663 A 5/1986 Bartley
 4,896,838 A 1/1990 Vendelin et al.
 4,915,309 A 4/1990 Schmidt
 4,940,188 A 7/1990 Rodriguez et al.
 5,029,761 A 7/1991 Bechler
 5,323,978 A 6/1994 Watajima
 D362,450 S * 9/1995 Bajadali D15/123
 5,803,423 A * 9/1998 Harrell A47B 97/00
 248/345.1
 5,806,774 A 9/1998 Vis
 5,829,698 A 11/1998 Canada
 5,911,370 A 6/1999 Lusty
 5,954,282 A 9/1999 Britzke et al.
 5,976,043 A 11/1999 Hise
 6,003,796 A 12/1999 James
 6,382,536 B1 5/2002 Lusty et al.
 6,405,953 B1 6/2002 Warren
 6,416,000 B1 7/2002 Lusty et al.
 6,588,692 B1 7/2003 Poncin
 D491,586 S 6/2004 Dallimore et al.
 7,257,876 B2 8/2007 Dallimore
 7,300,009 B2 11/2007 Dallimore et al.
 7,322,536 B2 1/2008 Garvin et al.
 7,350,725 B2 4/2008 Dallimore et al.
 D583,838 S * 12/2008 Schmitz D15/123
 7,530,512 B2 5/2009 Dallimore et al.
 7,677,484 B2 3/2010 Dallimore et al.
 D616,928 S * 6/2010 Beisser D18/56
 7,726,597 B2 6/2010 Bentley
 7,823,821 B2 11/2010 Strauss et al.
 7,841,551 B2 11/2010 Potter et al.
 7,854,407 B2 12/2010 Potter et al.
 D636,118 S 4/2011 Kim et al.
 7,942,357 B2 5/2011 Dallimore et al.
 8,020,791 B2 9/2011 Knueven et al.
 8,025,247 B2 9/2011 Dallimore et al.
 8,042,756 B2 10/2011 Dallimore et al.
 D659,723 S * 5/2012 Hoover D15/78
 8,104,704 B2 7/2012 Strauss et al.
 8,393,820 B2 3/2013 Rodriguez
 8,418,945 B2 4/2013 Kjaerran et al.
 D682,893 S * 5/2013 Bergstrand D15/126
 D690,172 S * 9/2013 Rozumovich D8/5
 D690,180 S * 9/2013 Del Rossa D15/140
 D690,233 S * 9/2013 Manchik D12/106
 D690,234 S * 9/2013 Manchik D12/106
 D691,034 S * 10/2013 Field D8/399
 8,561,926 B2 10/2013 Dallimore et al.
 D694,084 S * 11/2013 Del Rossa D15/140
 8,651,407 B2 2/2014 Berton
 D709,541 S * 7/2014 Yu Chen D15/145
 D724,633 S 3/2015 Foster

8,967,516 B2 3/2015 Dallimore et al.
 D738,178 S 9/2015 Eisinger
 D745,572 S 12/2015 Bergman et al.
 D750,142 S * 2/2016 Suzuki D15/138
 D766,334 S 9/2016 Bergman et al.
 D768,844 S 10/2016 Koseoglu et al.
 D770,253 S * 11/2016 Huang D8/52
 D781,935 S 3/2017 Larsson et al.
 D793,352 S * 8/2017 Hill D13/182
 D795,606 S 8/2017 Cudworth
 D800,187 S 10/2017 Larsson et al.
 D804,436 S 12/2017 Tauchi et al.
 D815,160 S 4/2018 Neubauer
 D816,126 S 4/2018 Bergman et al.
 D843,802 S * 3/2019 Torres Delgado D8/65
 D847,224 S * 4/2019 Schultz B02C 13/1842
 D15/123
 D873,317 S * 1/2020 Buehring D15/145
 D875,511 S * 2/2020 Liu D8/374
 2007/0108327 A1 5/2007 Rodriguez
 2008/0121746 A1 5/2008 Hall et al.
 2008/0265075 A1 10/2008 Dallimore et al.
 2010/0025512 A1 2/2010 Liimatainen et al.
 2010/0090045 A1 4/2010 Dallimore et al.
 2015/0048191 A1 2/2015 Clint et al.
 2015/0053805 A1 2/2015 Hackworth
 2017/0106374 A1 4/2017 Ha
 2017/0209866 A1 7/2017 Forsberg et al.

FOREIGN PATENT DOCUMENTS

CN 205182849 U 4/2016
 CN 205613488 U 10/2016
 CN 104722376 B 5/2017
 CN 106622490 A 5/2017
 EP 3156129 A4 2/2018
 WO 2011128854 A2 10/2011

OTHER PUBLICATIONS

Cemco, "Turbo Vertical Shaft Impact Crushers" Brochure, Belen, New Mexico; 2013, 20 pages.
 Isc, "Vertical Shaft Impact (VSI) Crushers" Presentation Material, Spokane, Washington; 2010, 76 pages.
 Metso, "Barmac B-series VSI, Wear Parts Application Guide" Brochure; 2012, 16 pages.
 Remco, "Crushers—3rd Edition" Brochure, Livermore, California; 2006, 22 pages.
 Sandvik, "VSI Rotors CV200 Series" Brochure; 2011, 4 pages.
 Spokane Industries, "Ultra Wear-Resistant Solutions" Brochure; 2011, 2 pages.
 Stedman, "Slam Vertical Shaft Impactors" Brochure, Aurora, Indiana; 2011, 3 pages.
 Terex, "Vertical Shaft Impact Crushers" Brochure; 2011, 8 pages.

* cited by examiner

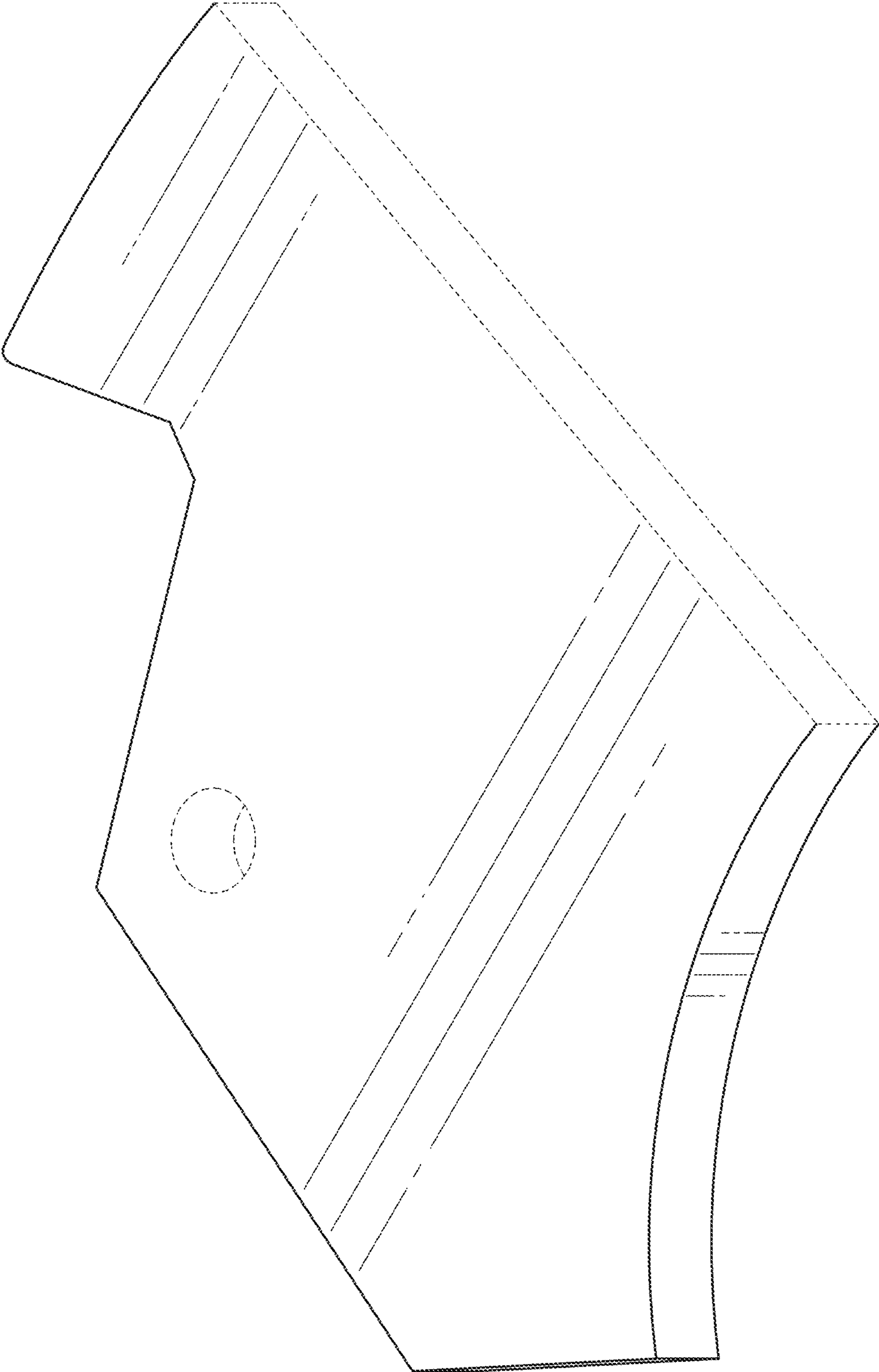


FIG. 1

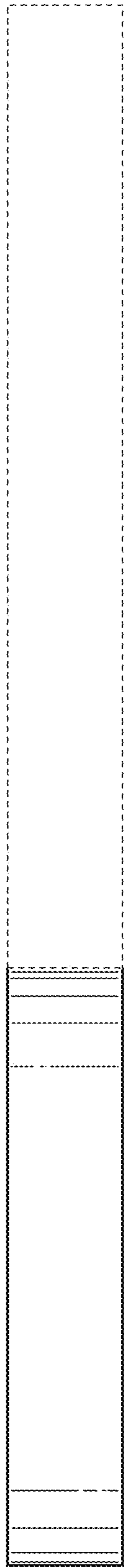


FIG. 2

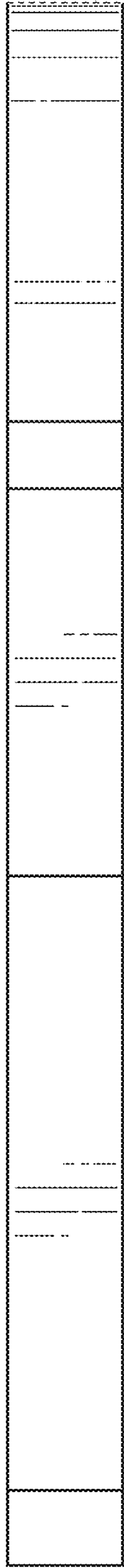


FIG. 3

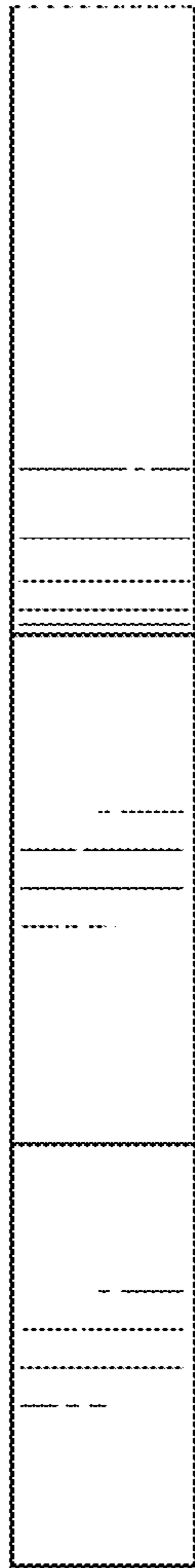


FIG. 4

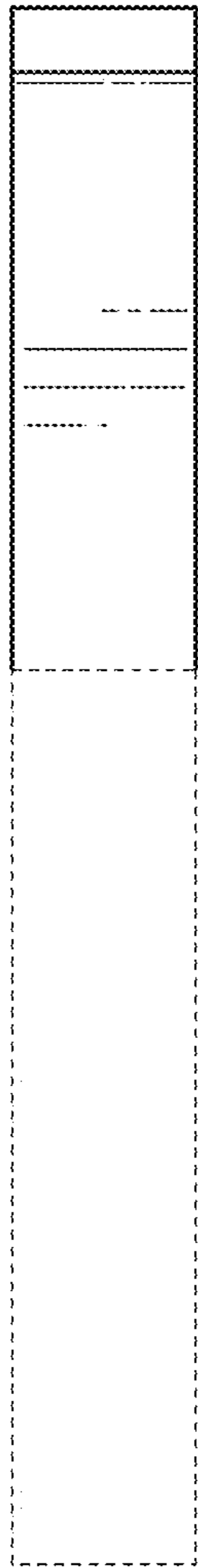


FIG. 5

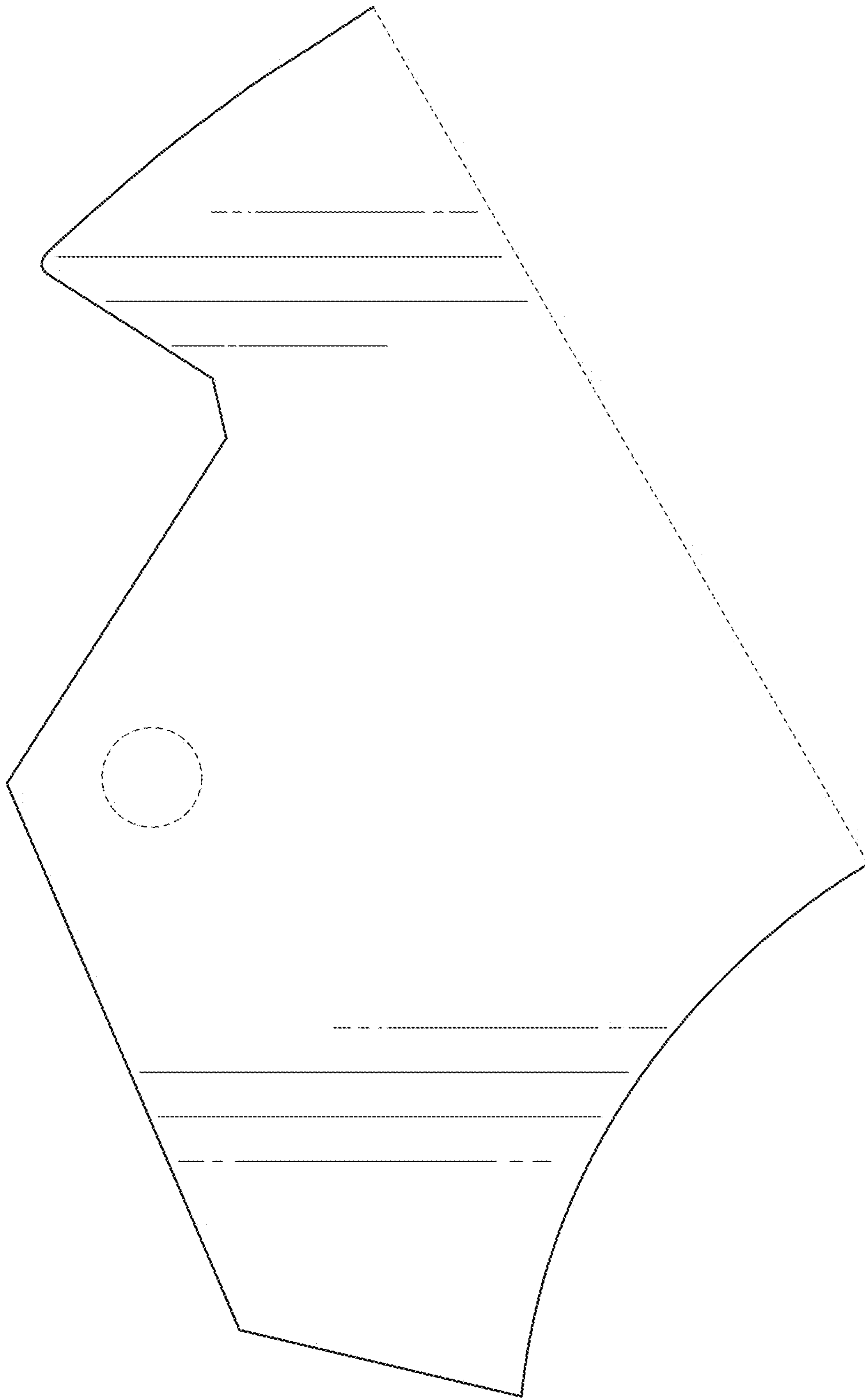


FIG. 6

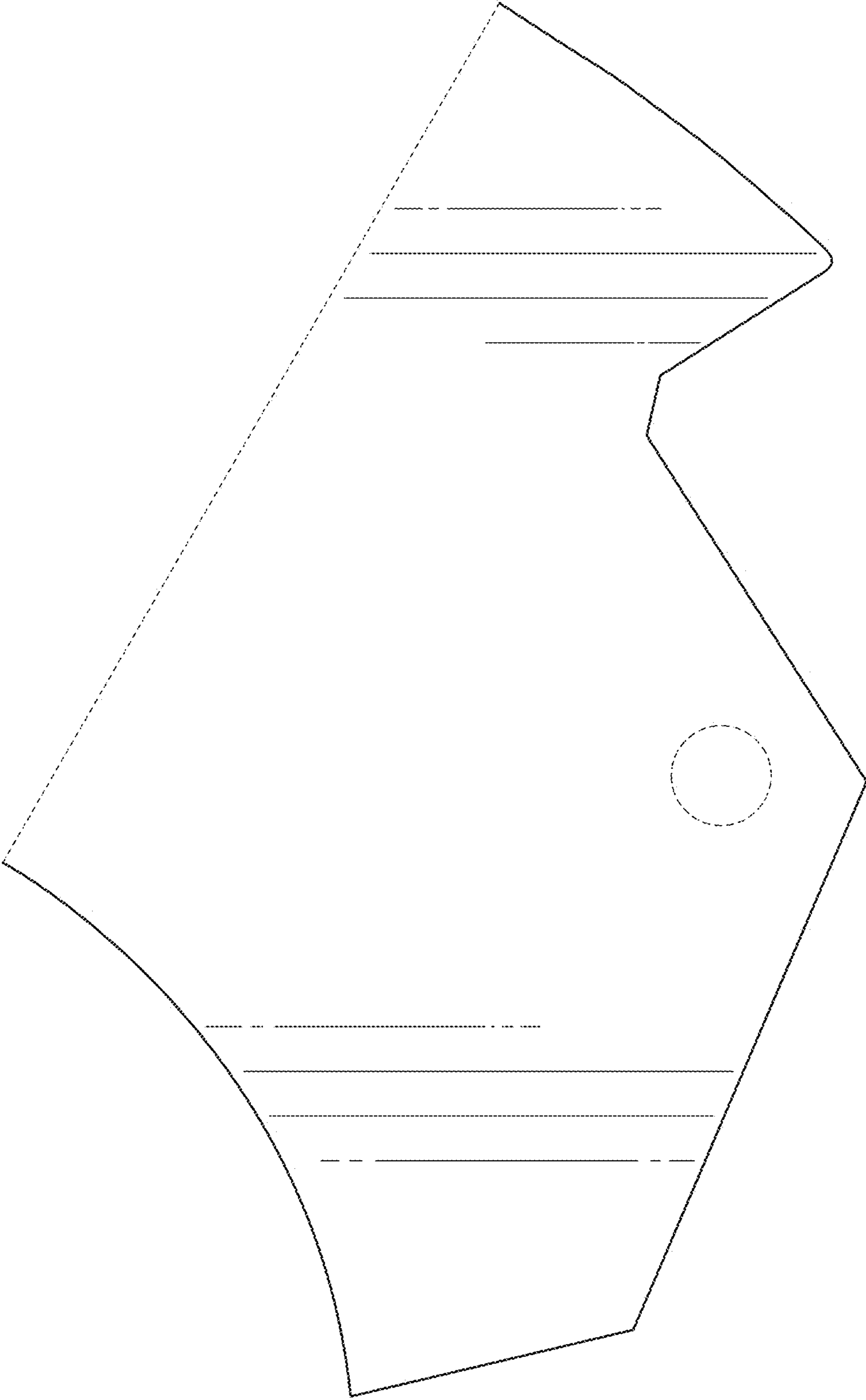


FIG. 7