



US00D910724S

(12) **United States Design Patent**
Chen et al.

(10) **Patent No.:** **US D910,724 S**

(45) **Date of Patent:** **** Feb. 16, 2021**

(54) **HEAT PRESS**

(71) Applicant: **Cricut, Inc.**, South Jordan, UT (US)

(72) Inventors: **Yung Tseng Chen**, San Francisco, CA (US); **Ildefonso M. Resuello, Jr.**, Sacramento, CA (US); **Grayson Stopp**, San Francisco, CA (US); **Marc Korbuly**, Salt Lake City, UT (US); **Thomas Crisp**, Cottonwood Heights, UT (US); **Scot Herbst**, Santa Cruz, CA (US)

(73) Assignee: **Cricut, Inc.**, South Jordan, UT (US)

(**) Term: **15 Years**

(21) Appl. No.: **29/702,262**

(22) Filed: **Aug. 18, 2019**

(51) **LOC (13) Cl.** **15-09**

(52) **U.S. Cl.**
USPC **D15/122**

(58) **Field of Classification Search**

USPC D15/122, 123, 145, 146; D32/70
CPC B30B 1/04; B30B 15/04; B30B 15/18;
B30B 15/048; B30B 15/064; B30B
15/287; B30B 15/0094; B32B 37/06;
B32B 37/0053; B32B 2309/02; B41F
16/00; B41F 16/02; B41F 16/026
See application file for complete search history.

(56) **References Cited**

U.S. PATENT DOCUMENTS

D293,952 S * 1/1988 Hsu D32/69

6,151,814 A * 11/2000 Raio D06F 71/026
38/30
8,418,739 B2 * 4/2013 Robinson B30B 15/047
156/358
D728,885 S * 5/2015 Dierker D32/70
9,289,960 B2 * 3/2016 Robinson D06Q 1/08
D845,573 S * 4/2019 Li D32/70
D854,064 S * 7/2019 Mayer D15/144
D873,313 S * 1/2020 Galkin D15/122
D875,148 S * 2/2020 Galkin D15/146
D875,149 S * 2/2020 Galkin D15/146
D893,563 S * 8/2020 Crisp D15/122
D893,566 S * 8/2020 Chen D15/122
2019/0184667 A1 * 6/2019 Cao B30B 1/04

* cited by examiner

Primary Examiner — Patricia A Palasik

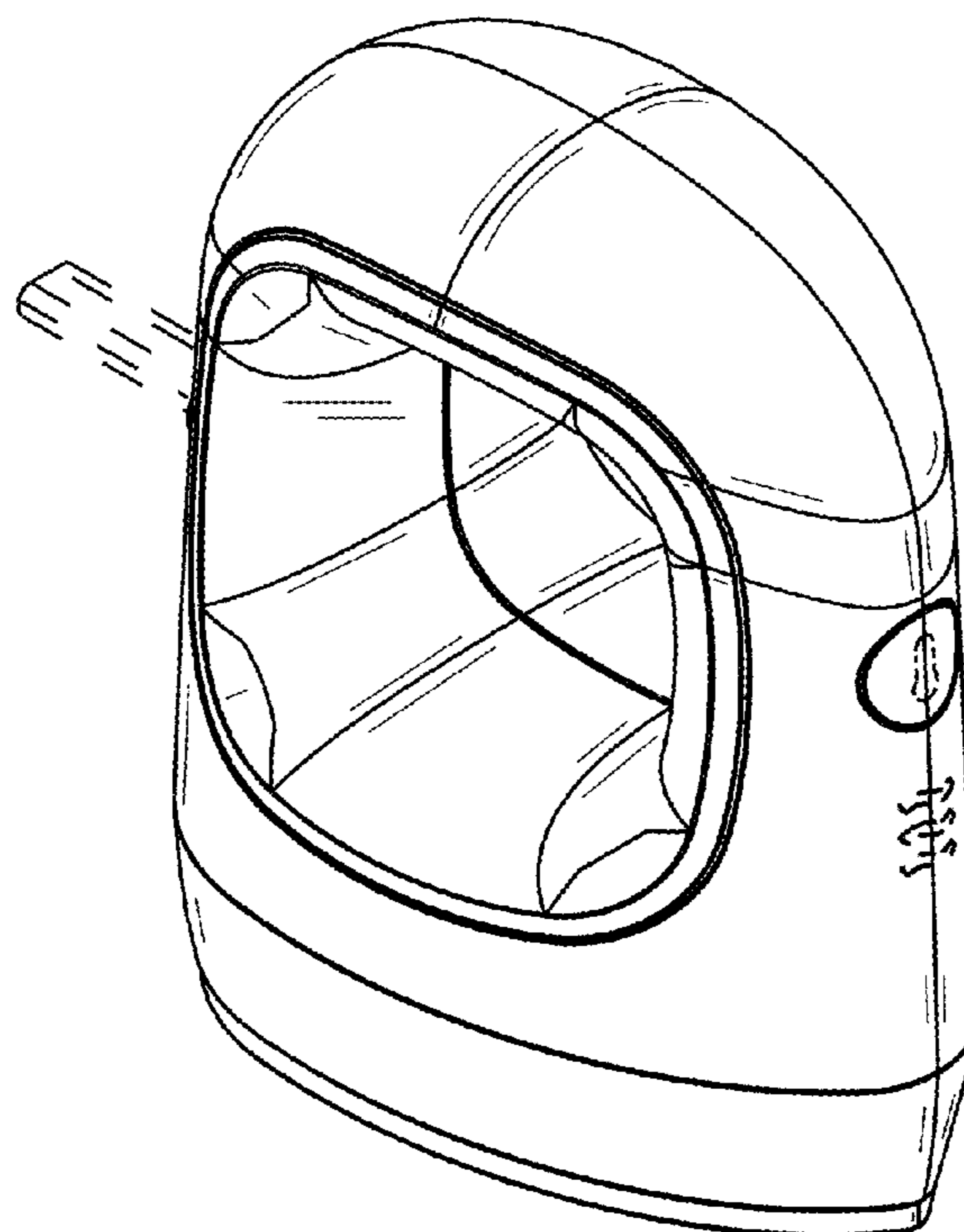
(57) **CLAIM**

The ornamental design for a heat press, as shown and described.

DESCRIPTION

FIG. 1 is a front, left, top isometric view;
FIG. 2 is a right side elevation view;
FIG. 3 is a left side elevation view,
FIG. 4 is a front side elevation view;
FIG. 5 is a back side elevation view;
FIG. 6 is a top plan view; and,
FIG. 7 is a bottom plan view.

1 Claim, 7 Drawing Sheets



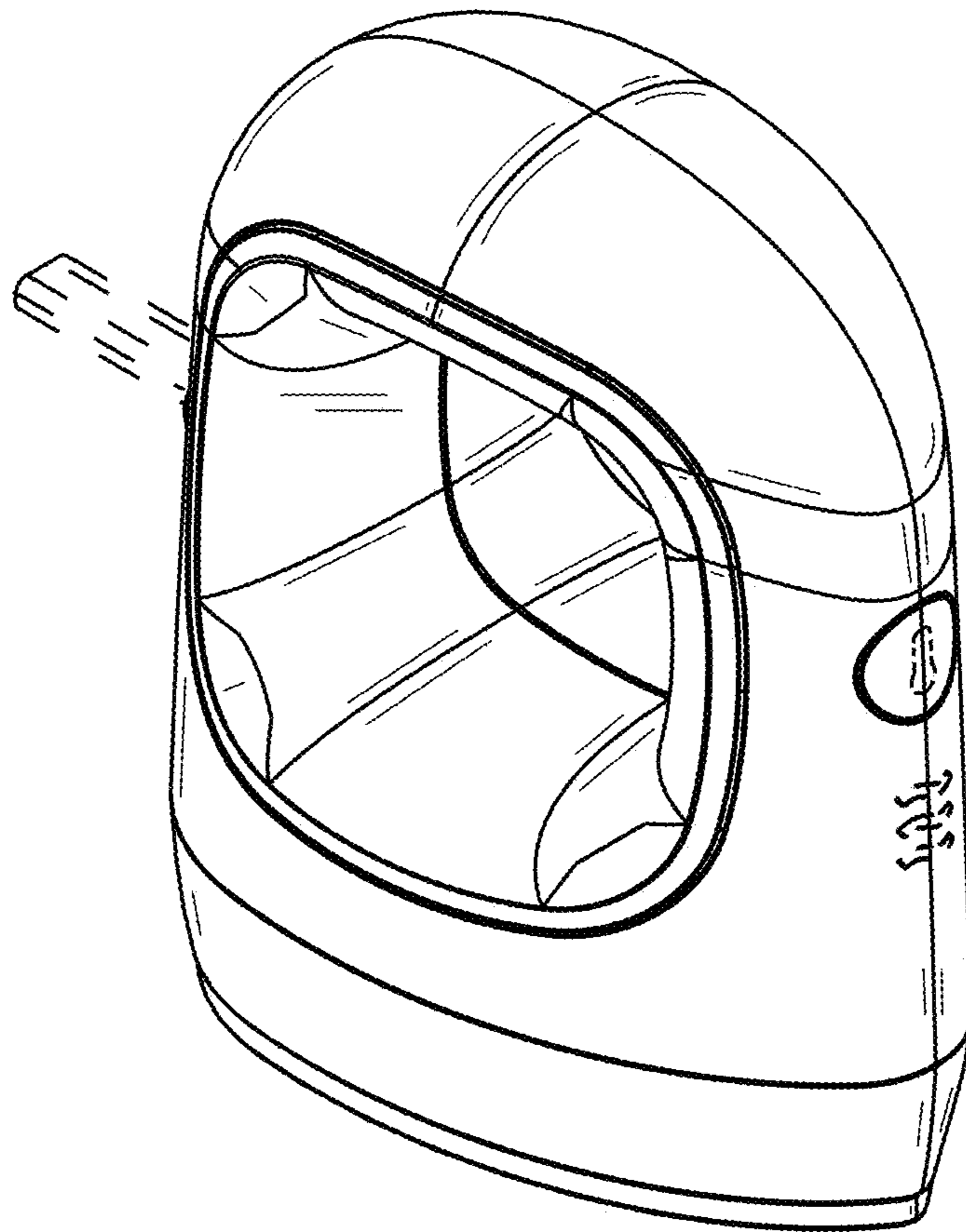


FIG. 1

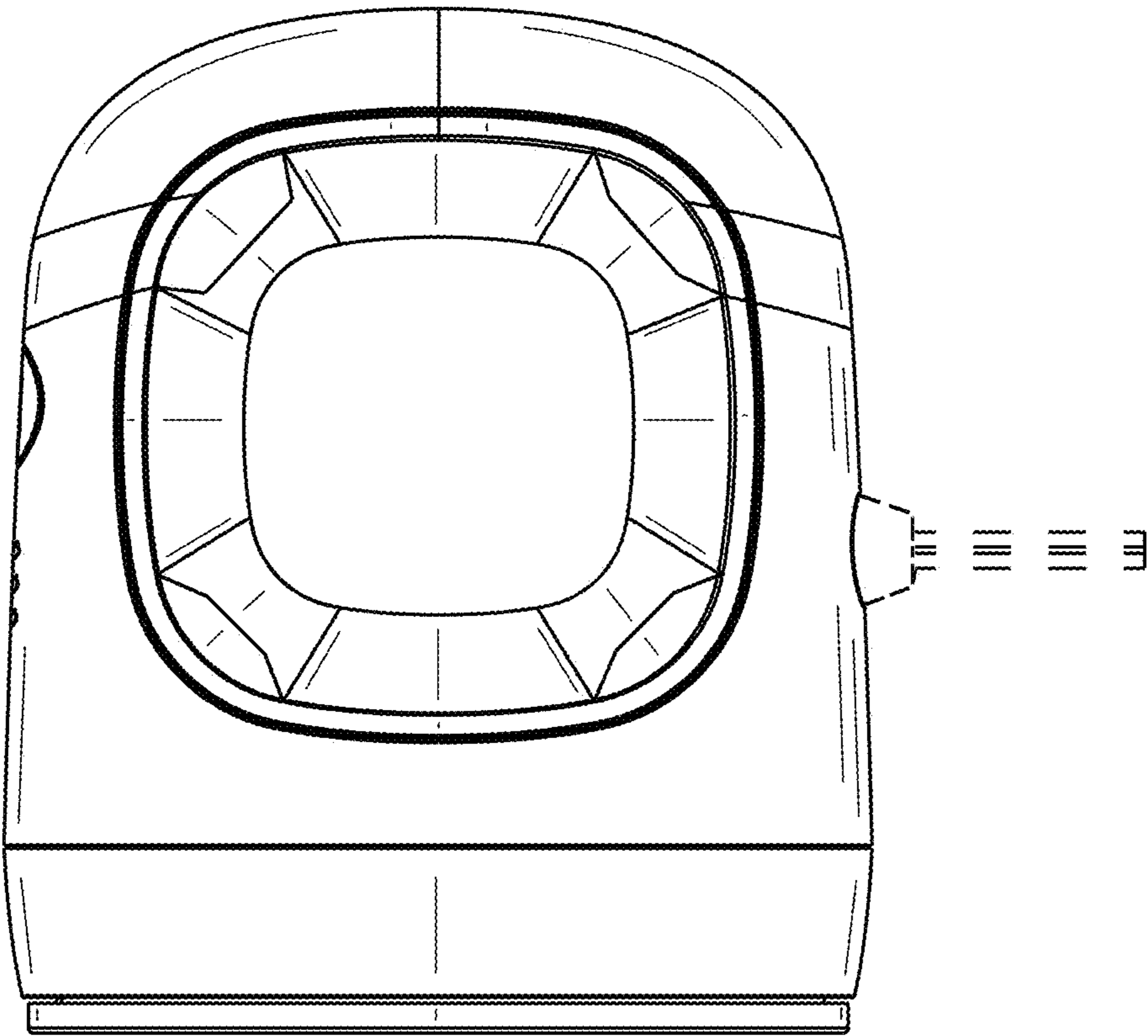


FIG. 2

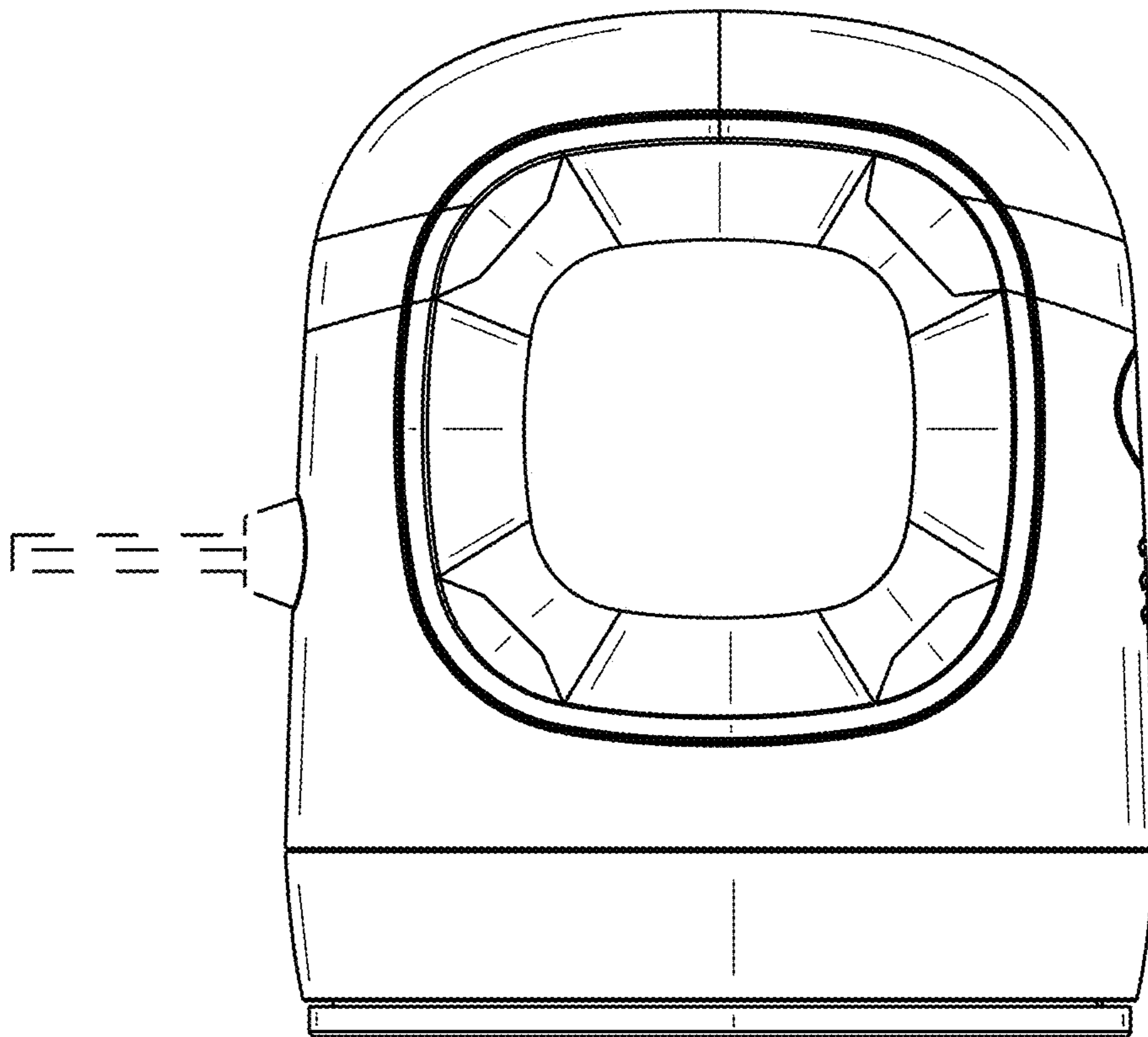


FIG. 3

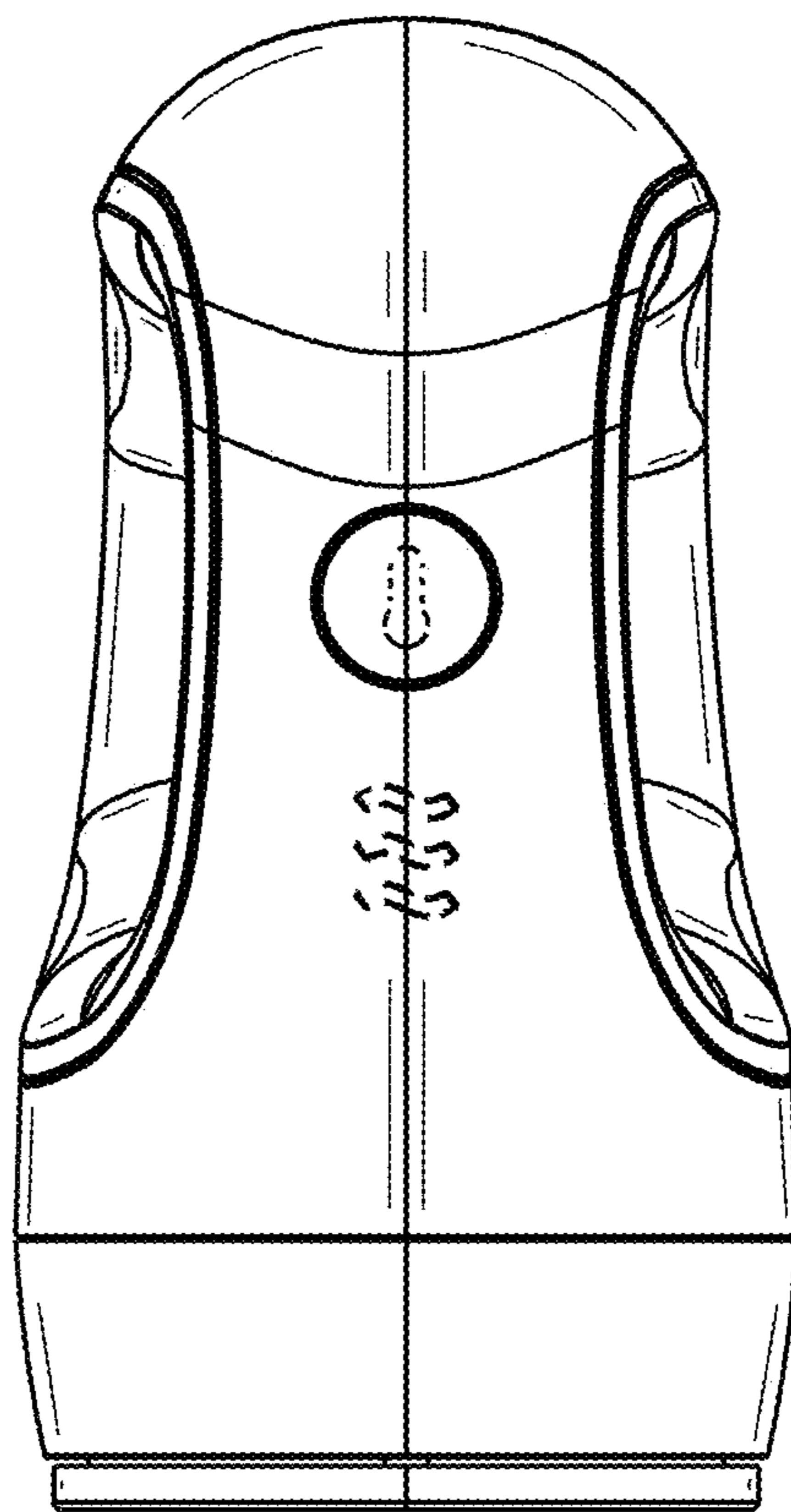


FIG. 4

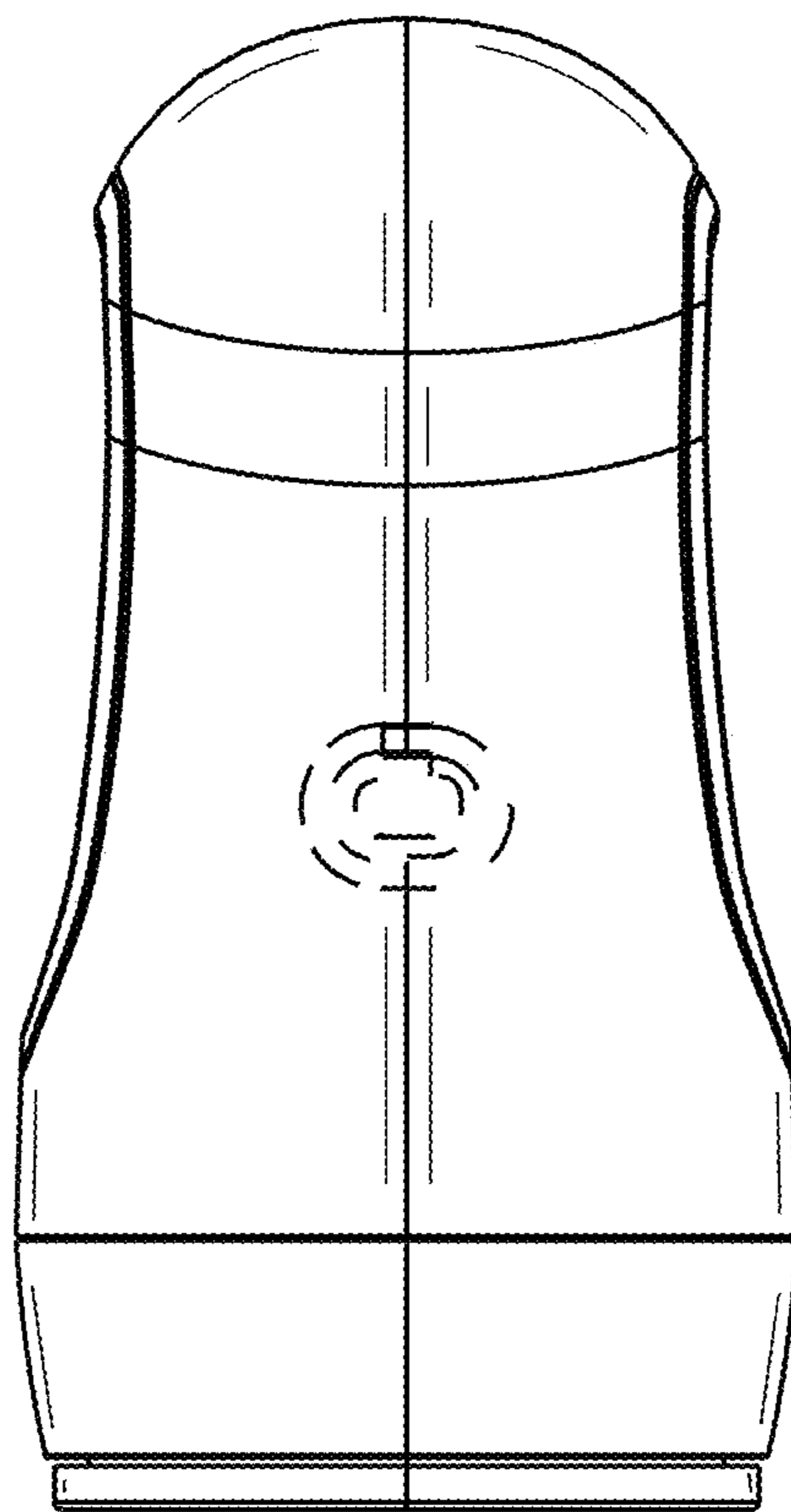


FIG. 5

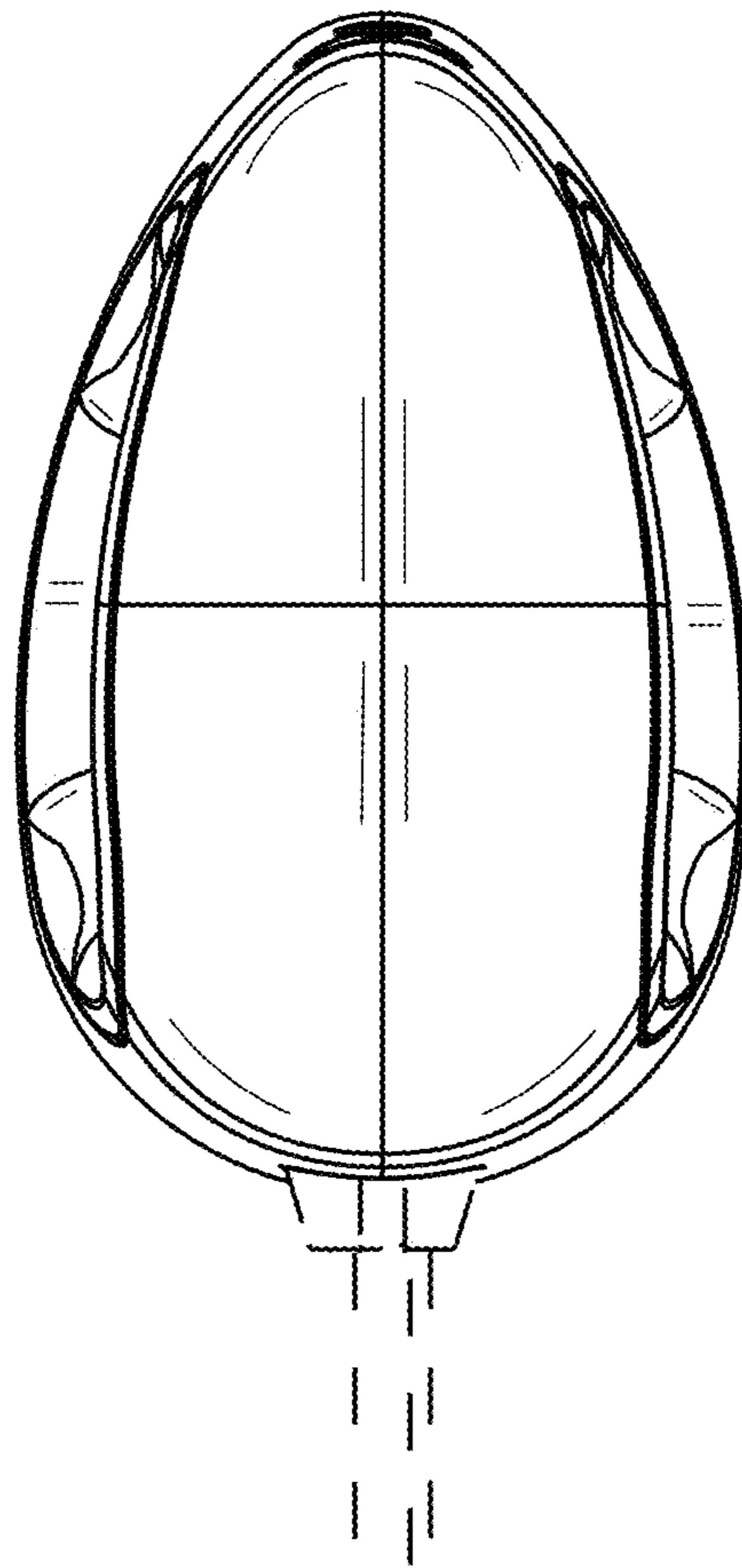


FIG. 6

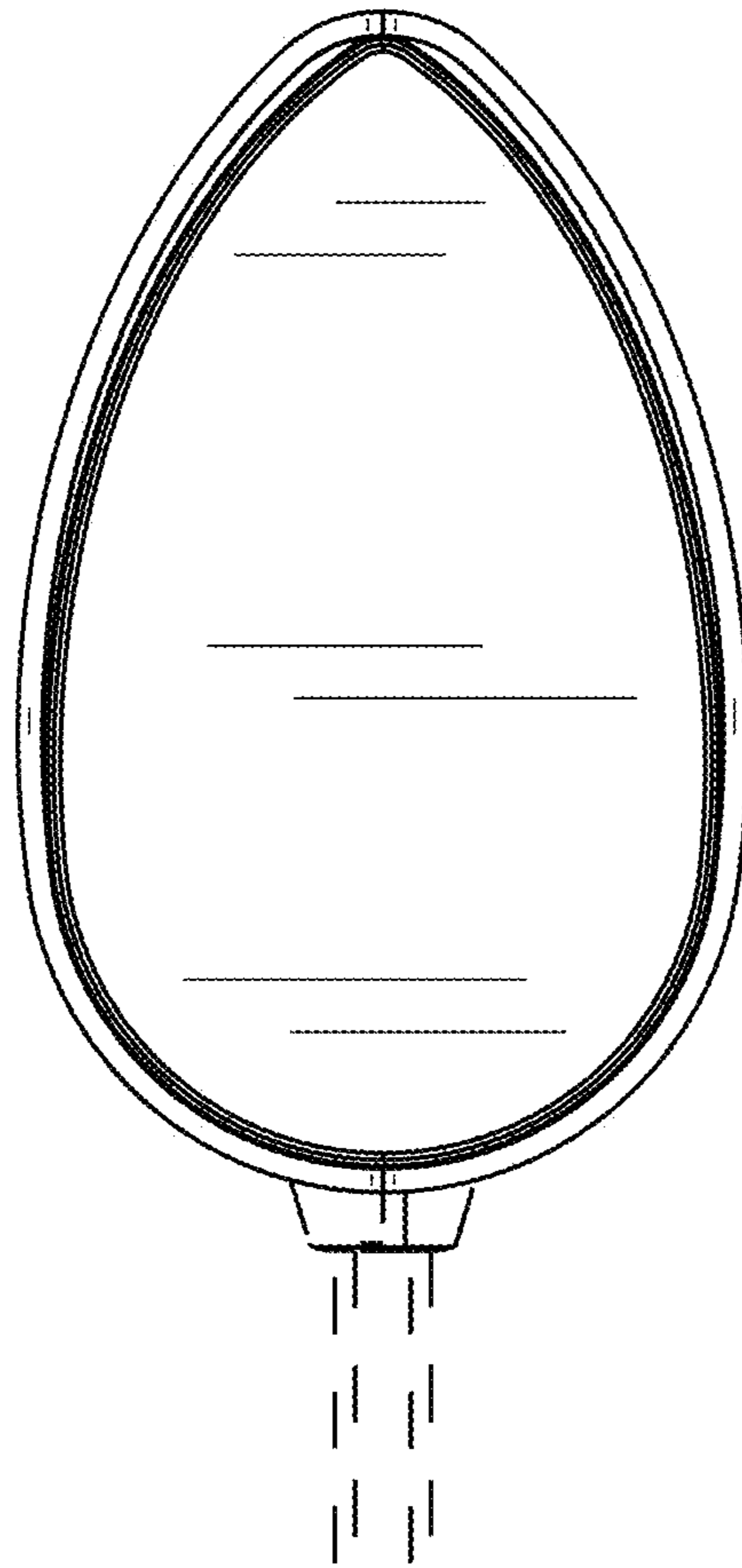


FIG. 7