



US00D910722S

(12) **United States Design Patent**  
**Nommensen**

(10) **Patent No.:** **US D910,722 S**

(45) **Date of Patent:** **\*\* Feb. 16, 2021**

- (54) **ROD COUPLER**
- (71) Applicant: **COBALT EXTREME PTY LTD,**  
Woolloongabba (AU)
- (72) Inventor: **David C. Nommensen,** Brisbane (AU)
- (73) Assignee: **COBALT EXTREME PTY LTD,**  
Woolloongabba (AU)
- (\*\*) Term: **15 Years**
- (21) Appl. No.: **29/682,756**
- (22) Filed: **Mar. 7, 2019**
- (30) **Foreign Application Priority Data**

Sep. 10, 2018 (AU) ..... 201815446

(51) **LOC (13) Cl.** ..... **15-04**

(52) **U.S. Cl.**  
USPC ..... **D15/21**

(58) **Field of Classification Search**  
USPC ..... D8/382, 396, 397, 398; D23/249, 259,  
D23/260, 262, 266; D15/21, 138, 139  
CPC ..... E21B 17/1078; E21B 43/126; E21B  
17/1071; E21B 17/04; E21B 17/042  
See application file for complete search history.

(56) **References Cited**

**U.S. PATENT DOCUMENTS**

- 1,407,327 A 2/1922 Giles
- 1,762,057 A 6/1929 Gates et al.
- 2,070,077 A 2/1937 Davis
- 3,058,524 A \* 10/1962 Tripplehorn ..... E21B 37/02  
166/176
- 3,329,212 A \* 7/1967 Pourchot ..... E21B 37/02  
166/176
- 4,534,585 A 8/1985 Saliger
- 5,358,041 A \* 10/1994 O'Hair ..... E21B 17/1042  
166/241.4

- 5,492,174 A \* 2/1996 O'Hair ..... E21B 17/1042  
166/241.4
- 6,152,223 A \* 11/2000 Abdo ..... E21B 17/1042  
166/241.4
- 6,182,754 B1 \* 2/2001 Vermeeren ..... E21B 17/1071  
166/176
- 6,808,019 B1 \* 10/2004 Mabry ..... E21B 37/02  
166/176
- 7,114,562 B2 \* 10/2006 Fisseler ..... E21B 17/1078  
166/250.02
- D560,699 S \* 1/2008 Omi ..... D15/139
- 8,096,352 B2 \* 1/2012 Ernst ..... E21B 17/1071  
166/241.2
- D674,818 S \* 1/2013 Andrigo ..... D15/21
- D732,086 S \* 6/2015 O'Brien ..... D15/21
- 9,151,118 B2 \* 10/2015 Robson ..... E21B 17/1078
- 9,200,489 B1 \* 12/2015 Mabry ..... E21B 17/1071
- 9,249,633 B1 \* 2/2016 Arizmendi ..... E21B 17/1035
- D786,645 S \* 5/2017 Svendsen ..... D8/70

(Continued)

**FOREIGN PATENT DOCUMENTS**

CA 2615294 A1 6/2009

*Primary Examiner* — Sandra Snapp

*Assistant Examiner* — Ieisha N Price

(74) *Attorney, Agent, or Firm* — Greer, Burns & Crain,  
Ltd.

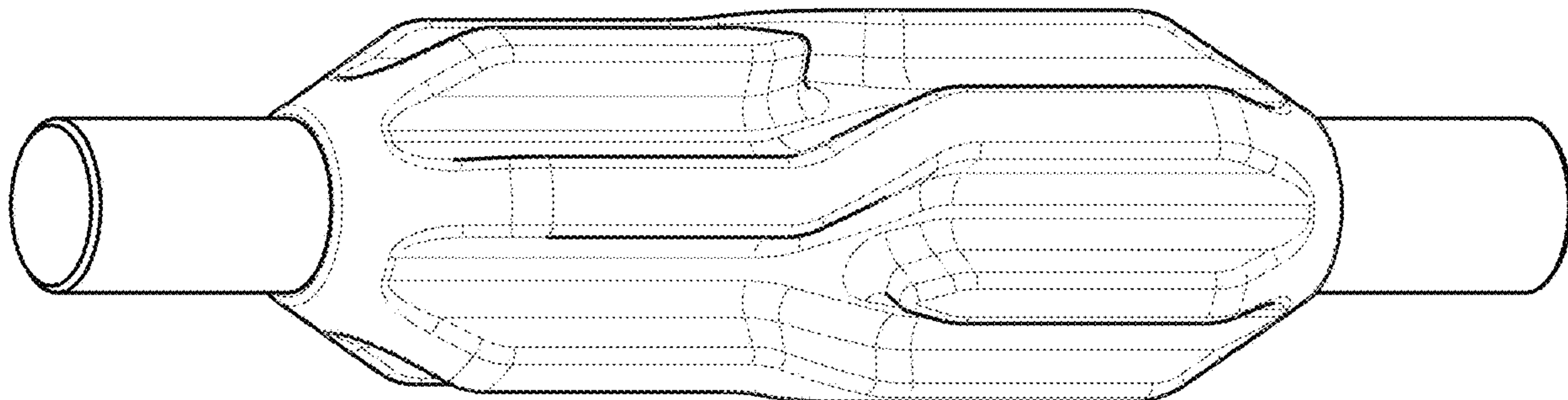
(57) **CLAIM**

The ornamental design for a rod coupler, as shown and described.

**DESCRIPTION**

FIG. 1 is a perspective view of the present rod coupler;  
FIG. 2 is a front view of FIG. 1, with the rear view being a mirror image thereof;  
FIG. 3 is a top view of FIG. 1;  
FIG. 4 is a bottom view of FIG. 1;  
FIG. 5 is a right side view of FIG. 1; and,  
FIG. 6 is a left side view of FIG. 1.

**1 Claim, 6 Drawing Sheets**



(56)

**References Cited**

U.S. PATENT DOCUMENTS

9,869,135 B1 \* 1/2018 Martin ..... E21B 17/1071  
10,415,325 B2 \* 9/2019 Newman ..... E21B 17/1078  
D877,780 S \* 3/2020 Spatz ..... D15/21  
2007/0102151 A1 \* 5/2007 Abdo ..... E21B 17/1071  
166/241.4  
2012/0088588 A1 4/2012 Xin et al.  
2012/0168149 A1 \* 7/2012 Kaltwasser ..... E21B 17/1071  
166/241.4  
2012/0292021 A1 \* 11/2012 Kaltwasser ..... E21B 17/22  
166/241.4  
2013/0098601 A1 \* 4/2013 Pereyra ..... E21B 17/1042  
166/241.4  
2016/0177635 A1 \* 6/2016 Morrow ..... E21B 17/042  
166/241.6  
2018/0112472 A1 \* 4/2018 Gaskins ..... E21B 43/127  
2019/0360279 A1 \* 11/2019 Trowbridge ..... E21B 43/126  
2020/0165881 A1 \* 5/2020 Nommensen ..... E21B 17/1078

\* cited by examiner

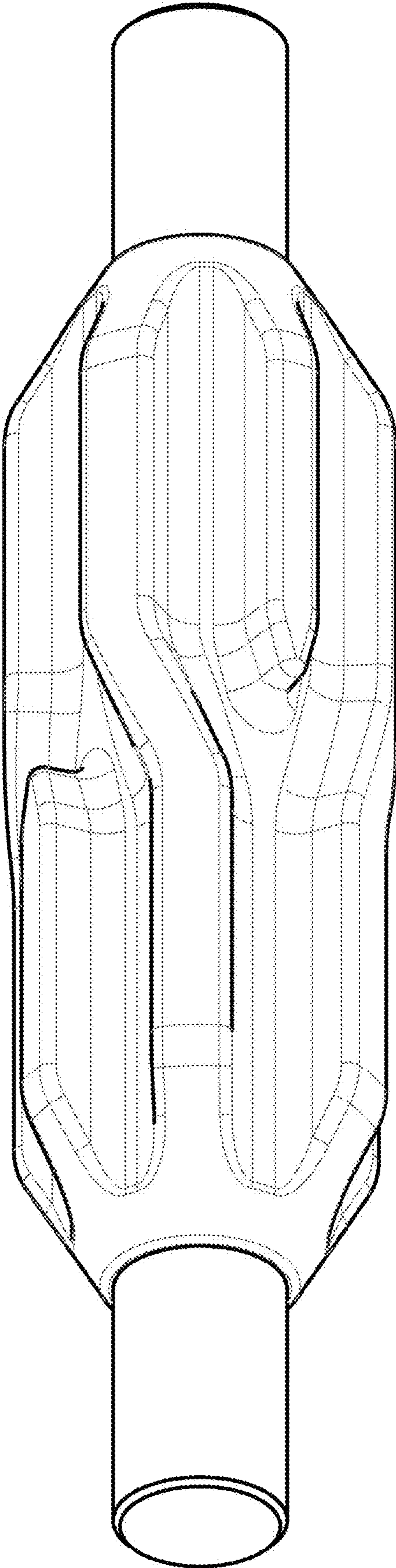


FIG. 1

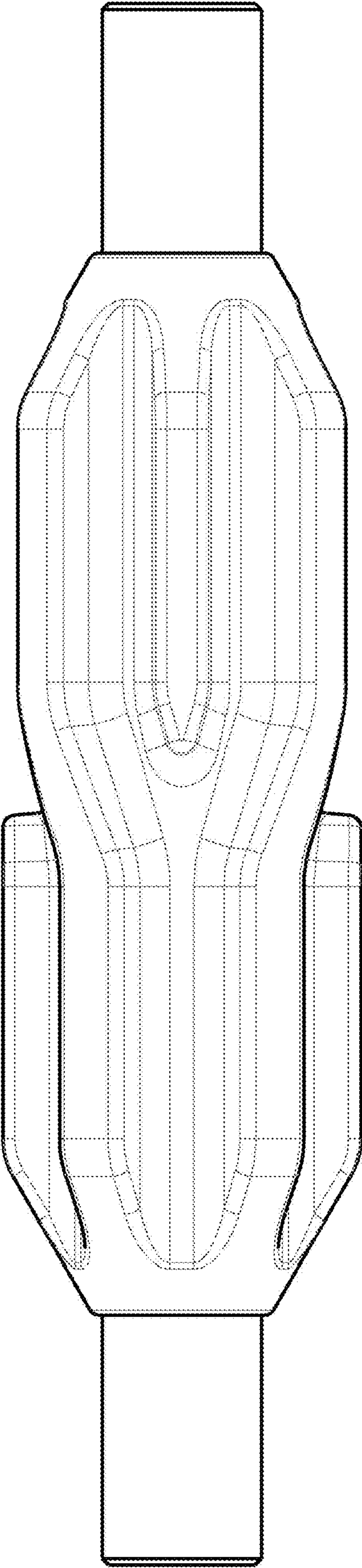


FIG. 2



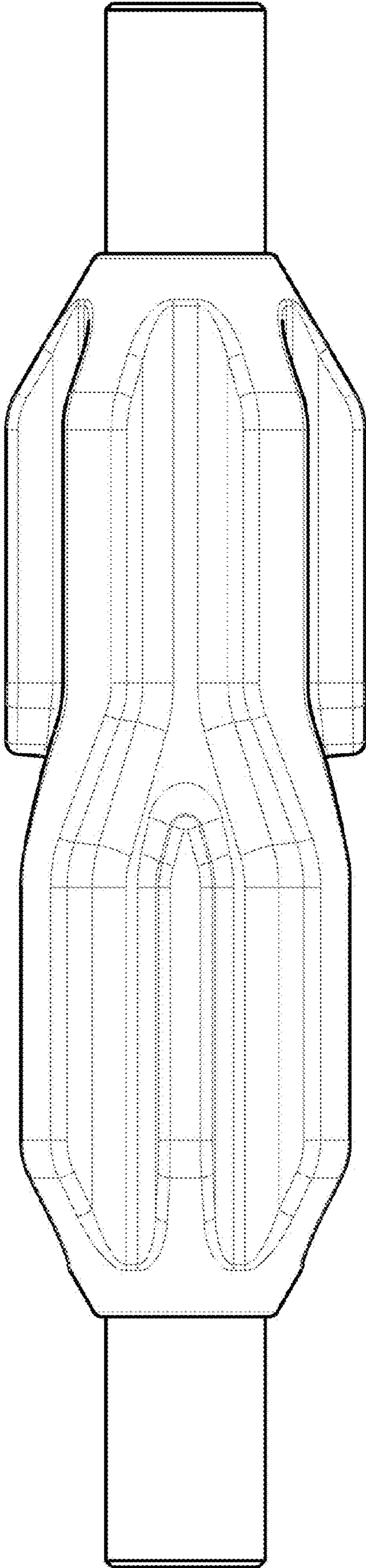


FIG. 3

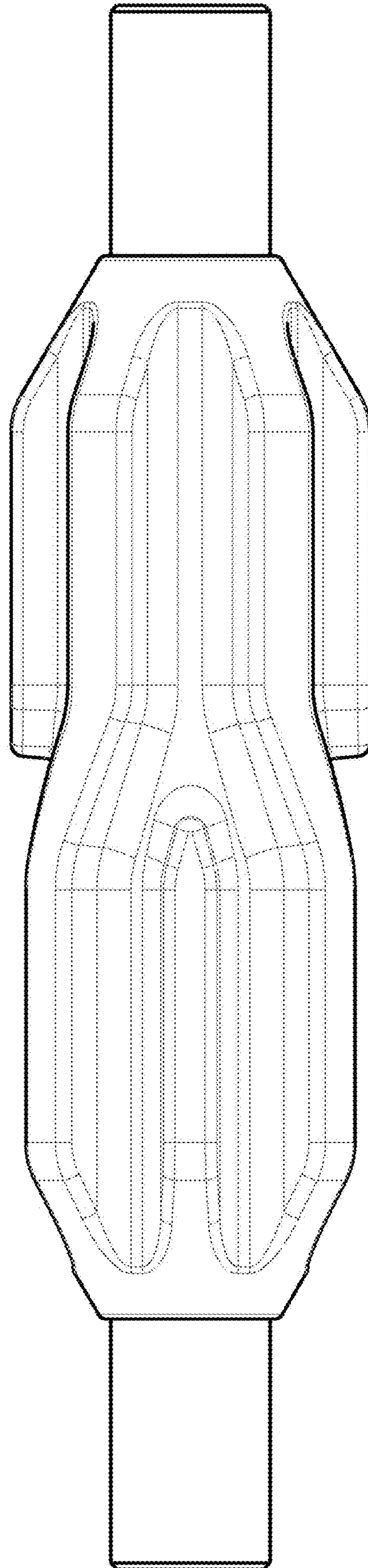


FIG. 4

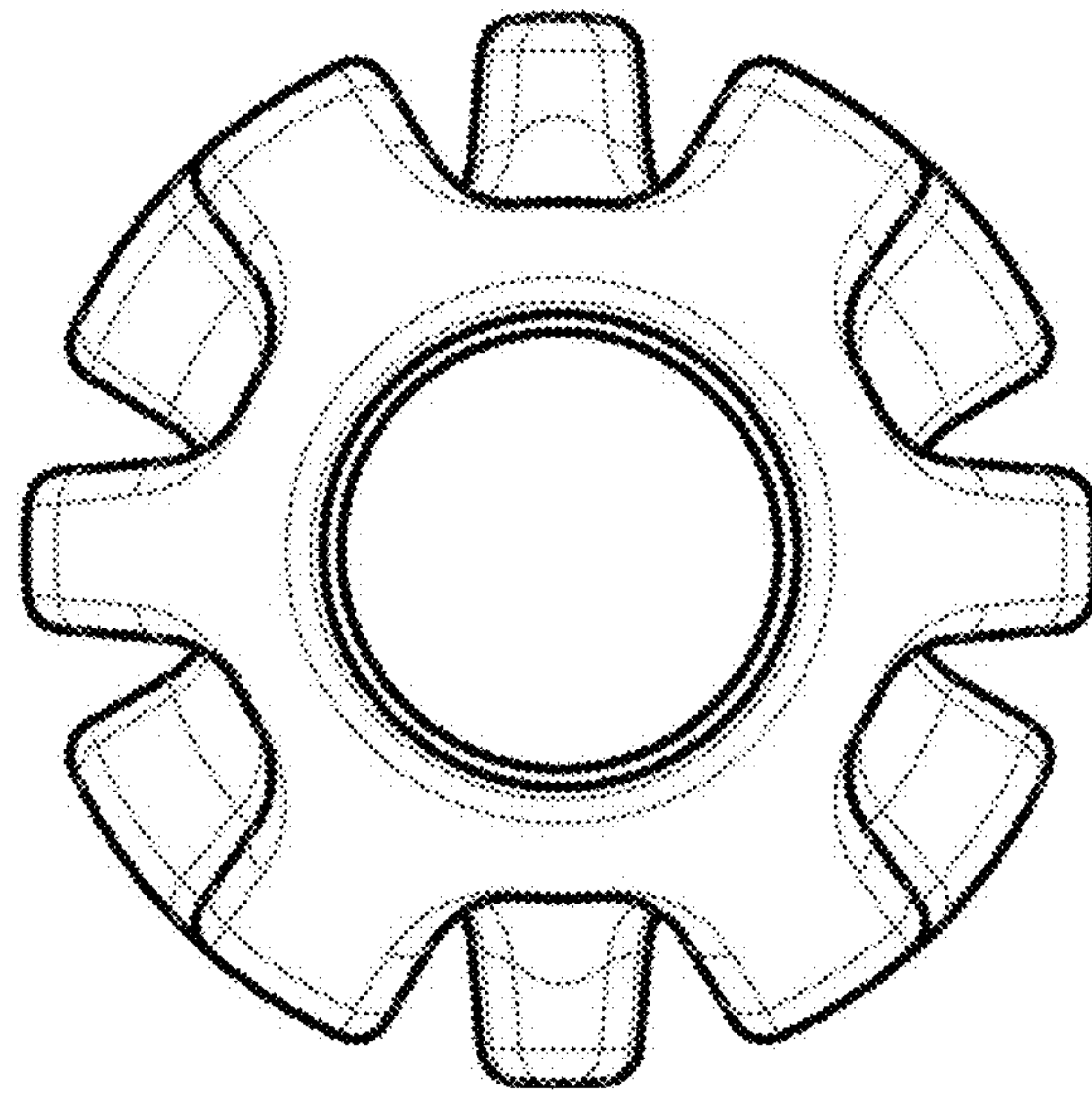


FIG. 5

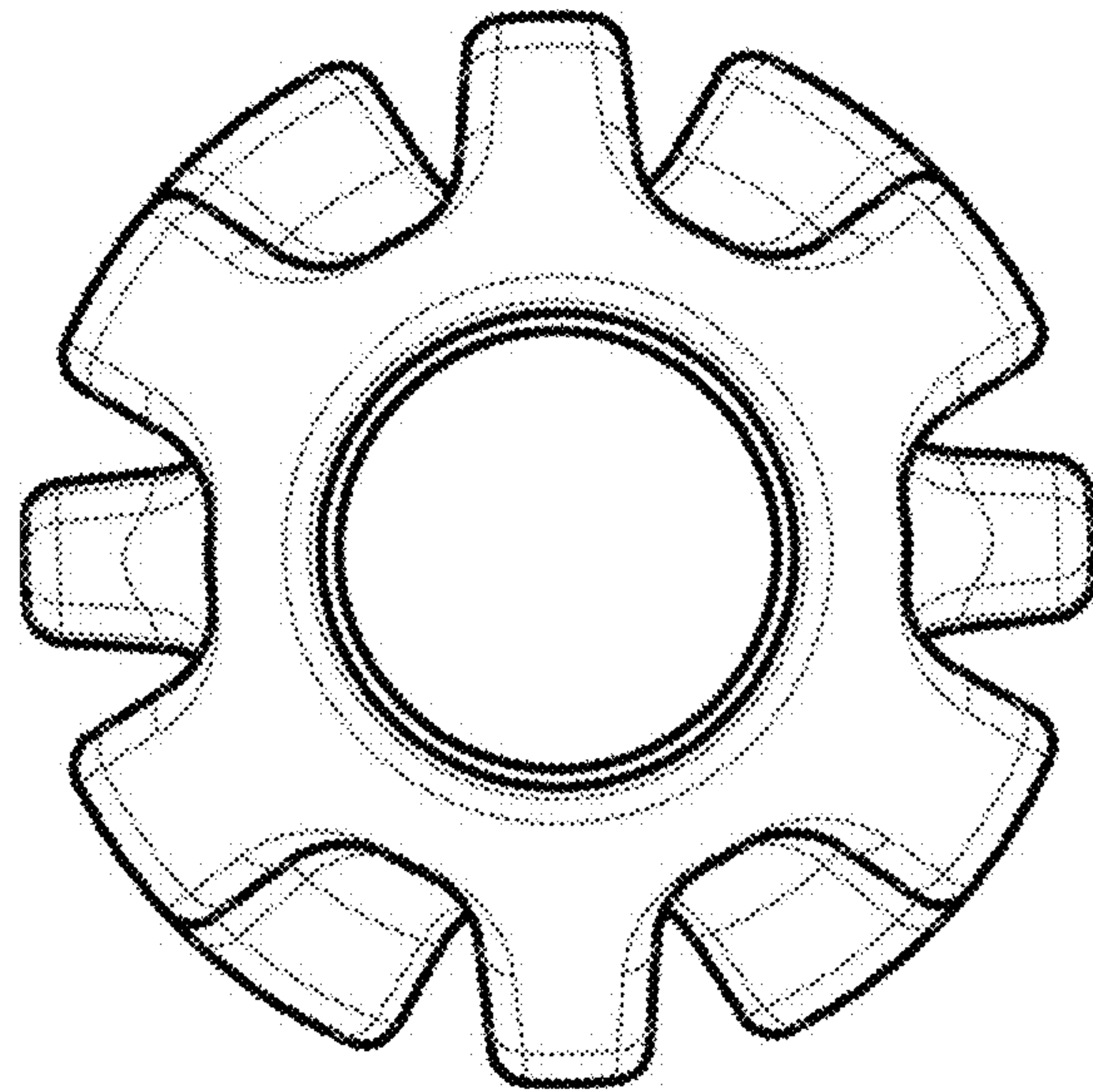


FIG. 6