



US00D910721S

(12) **United States Design Patent** (10) **Patent No.:** **US D910,721 S**
Ritchie (45) **Date of Patent:** **** Feb. 16, 2021**

(54) **REVERSABLE DUAL EDGE BED KNIFE FOR CYLINDER MOWERS**

(71) Applicant: **Donovan James Ritchie**, Pretoria (ZA)

(72) Inventor: **Donovan James Ritchie**, Pretoria (ZA)

(**) Term: **15 Years**

(21) Appl. No.: **29/696,544**

(22) Filed: **Jun. 28, 2019**

(51) **LOC (13) Cl.** **15-03**

(52) **U.S. Cl.**
USPC **D15/17; D15/29**

(58) **Field of Classification Search**
USPC D15/17, 28, 29, 11, 21, 27; D8/16, 19, D8/20, 95, 96, 99
CPC A01D 34/001; A01D 34/42; A01D 34/62; A01D 34/14; A01D 34/135; A01D 34/13; B23D 65/04; B26D 1/38; B23Q 1/015; Y10T 83/9399

See application file for complete search history.

(56) **References Cited**

U.S. PATENT DOCUMENTS

D311,744 S * 10/1990 Misico D15/28
D370,611 S * 6/1996 Frick D15/139
5,822,966 A * 10/1998 Snell A01D 34/62
56/249
D406,153 S * 2/1999 Holzer D15/32
D444,486 S * 7/2001 Biller D15/139
D450,556 S * 11/2001 Biller D15/139
D555,443 S * 11/2007 Hunt D8/20
D602,752 S * 10/2009 Luciano, Jr. D8/20
8,011,081 B1 * 9/2011 Coffin B23K 1/19
29/525.14
D705,274 S * 5/2014 Sirvio D15/28
D745,352 S * 12/2015 Tyner D8/20

D772,316 S * 11/2016 Johnson D15/139
9,636,838 B2 * 5/2017 Evans B26D 7/2614
D803,271 S * 11/2017 Fredricks A01D 45/025
D15/17
D871,459 S * 12/2019 Ebadian D15/17
2007/0157476 A1 * 7/2007 Hunt A47L 13/08
30/355
2009/0100818 A1 * 4/2009 Thier A01D 34/62
56/249
2015/0319921 A1 * 11/2015 Pilon, Jr. A01D 34/62
56/249

OTHER PUBLICATIONS

R&R Products, Inc., Bedknife-Double Lip, Item No. RI50451, <https://www.riproducts.com/Bedknife---Double-Lip-product17112>.

* cited by examiner

Primary Examiner — Mark A Goodwin

(74) *Attorney, Agent, or Firm* — Jon E. Gordon; Haug Partners LLP

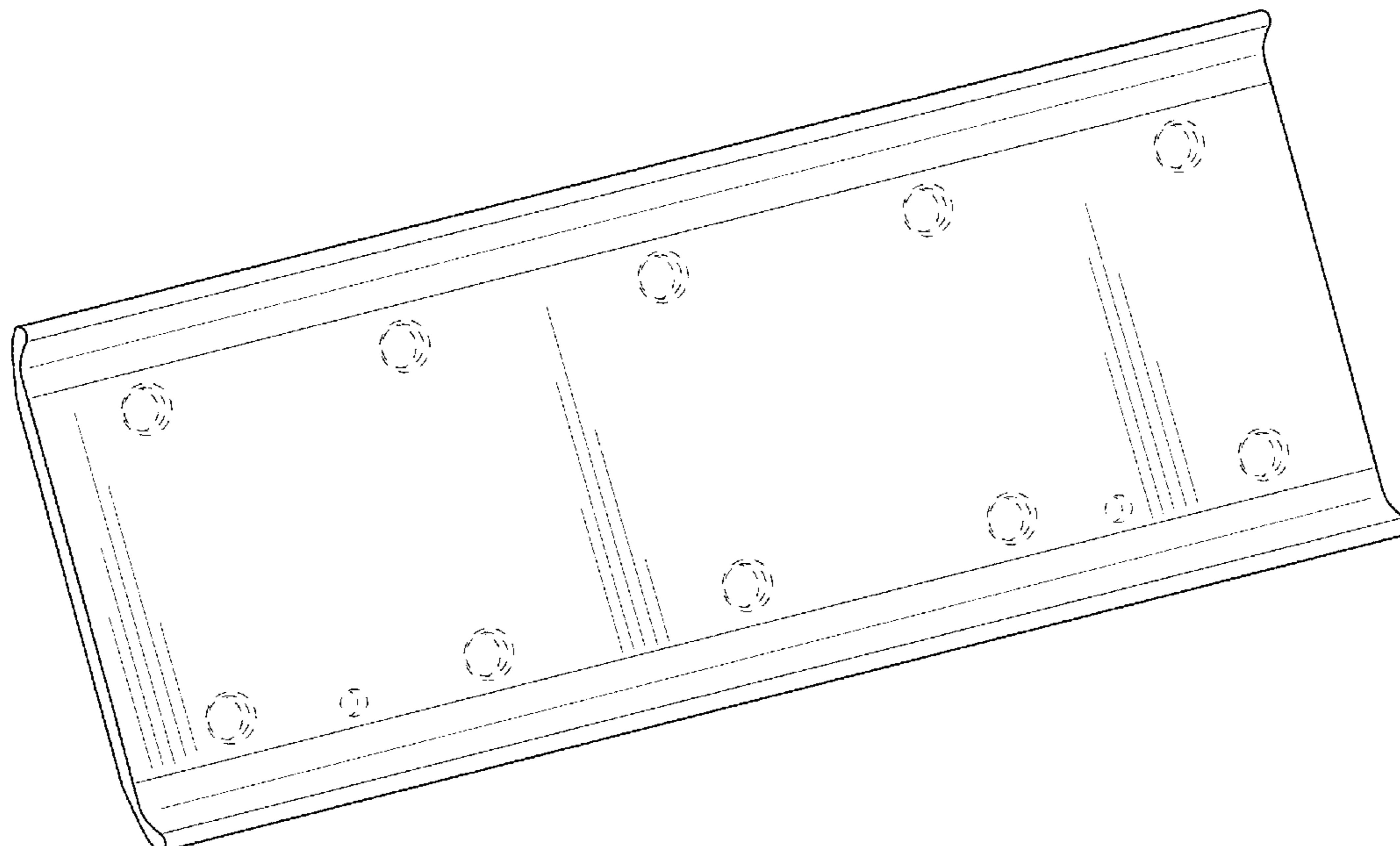
(57) **CLAIM**

The ornamental design for a reversible dual edge bed knife for cylinder mowers, as shown and described.

DESCRIPTION

FIG. 1 is a perspective view of a reversible dual edge bed knife for cylinder mowers, showing my new design; FIG. 2 is a top view thereof; FIG. 3 is a bottom view thereof; FIG. 4 is a front view thereof; FIG. 5 is a left-side view thereof; FIG. 6 is a rear view thereof; and, FIG. 7 is a right-side view thereof. The broken lines define the bounds of the claimed design and form no part thereof.

1 Claim, 5 Drawing Sheets



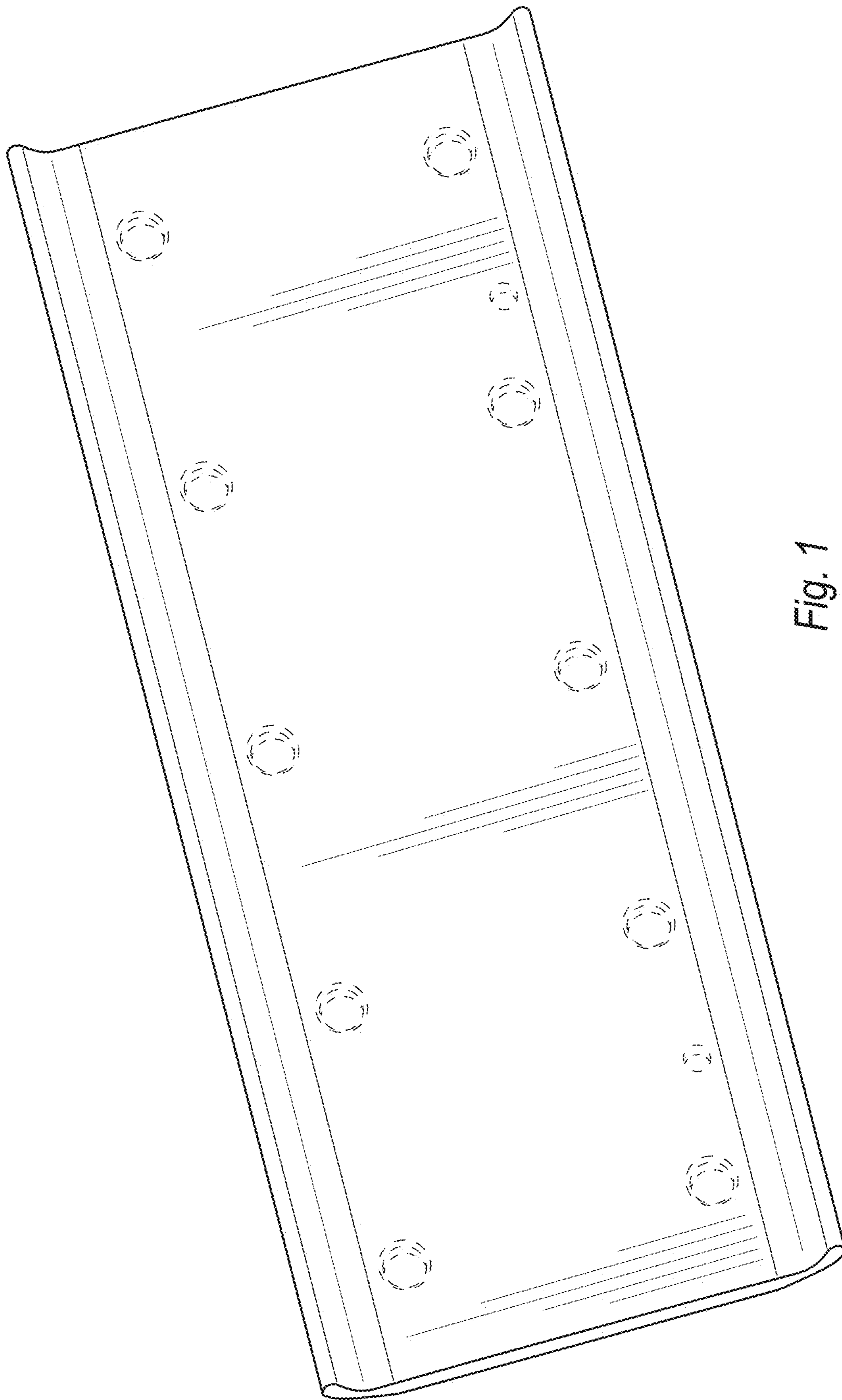


Fig. 1

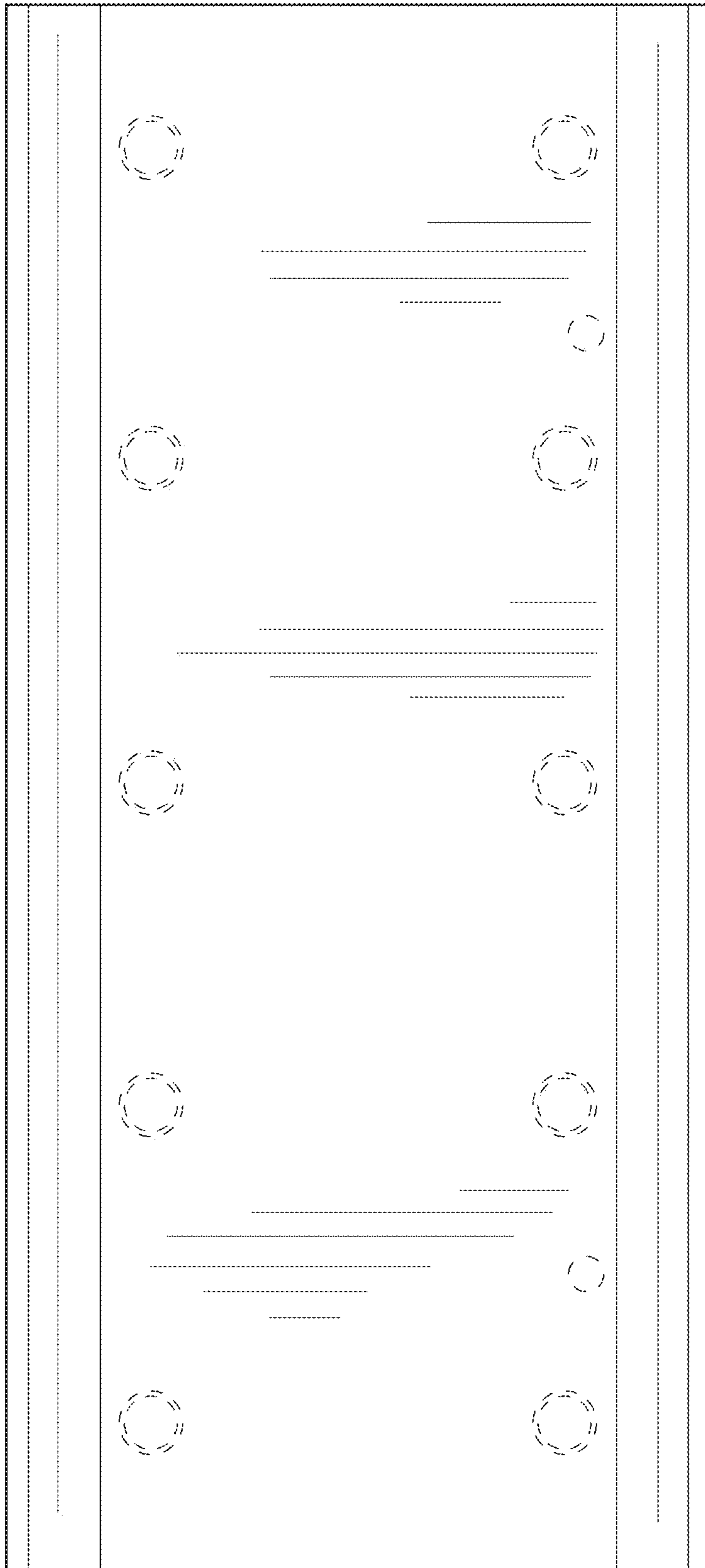


Fig. 2

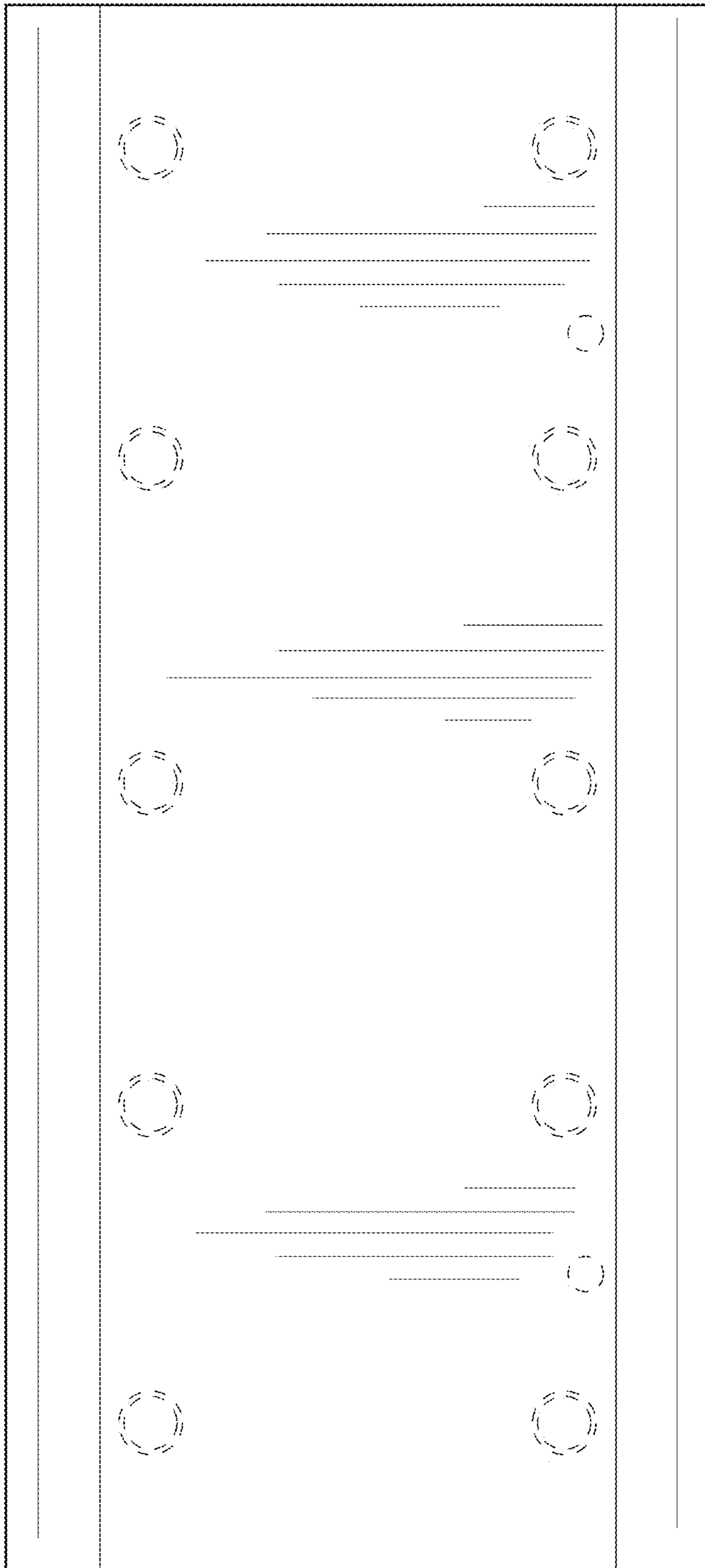


Fig. 3

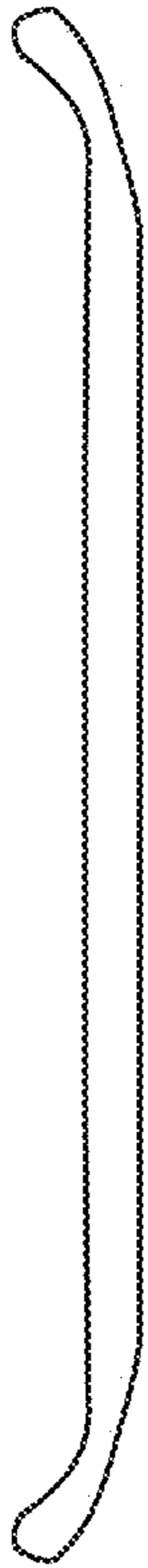


Fig. 4

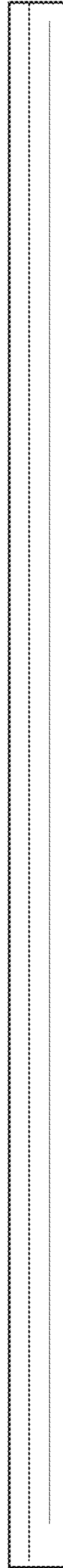


Fig. 5

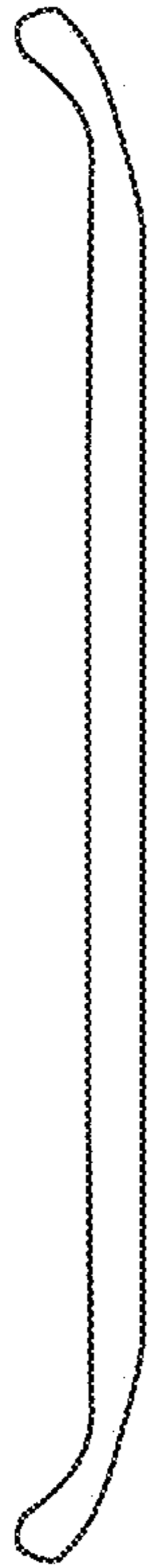


Fig. 6

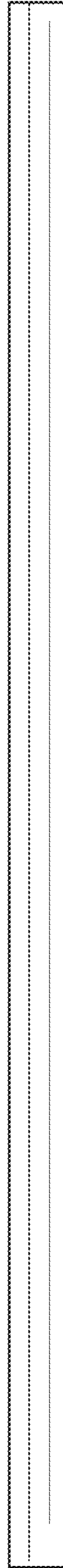


Fig. 7