



US00D910719S

(12) **United States Design Patent** (10) **Patent No.:** **US D910,719 S**  
**Cooper et al.** (45) **Date of Patent:** **\*\* Feb. 16, 2021**

(54) **PUMP COMPONENTS**

(71) Applicant: **Wayne/Scott Fetzer Company**,  
Westlake, OH (US)  
(72) Inventors: **Buford A. Cooper**, Sunman, IN (US);  
**Michael S. Garcia**, Harrison, OH (US);  
**Joshua Michael Wilds**, Lancaster, NH  
(US)

(73) Assignee: **Wayne/Scott Fetzer Company**,  
Westlake, OH (US)

(\*\*) Term: **15 Years**

(21) Appl. No.: **29/656,458**

(22) Filed: **Jul. 12, 2018**

(51) **LOC (13) Cl.** ..... **15-03**

(52) **U.S. Cl.**  
USPC ..... **D15/7**

(58) **Field of Classification Search**  
USPC ..... **D15/7-9**

(Continued)

(56) **References Cited**

**U.S. PATENT DOCUMENTS**

2,333,243 A 11/1943 Glab  
2,553,066 A 5/1951 Southern

(Continued)

**FOREIGN PATENT DOCUMENTS**

CN 203548187 4/2014  
EP 1178212 2/2002

(Continued)

**OTHER PUBLICATIONS**

Patent Cooperation Treaty, International Searching Authority, Notifi-  
cation of Transmittal of the International Search Report and the  
Written Opinion of the International Searching Authority, or the  
Declaration issued in International Application No. PCT/US2018/  
046604, Nov. 29, 2018, 11 pp.

(Continued)

*Primary Examiner* — Khawaja Anwar

(74) *Attorney, Agent, or Firm* — Fitch, Even, Tabin &  
Flannery LLP

(57) **CLAIM**

We claim the ornamental design for pump components, as  
shown and described.

**DESCRIPTION**

FIGS. 1-8 are top perspective, bottom perspective, rear  
elevation, front elevation, left side elevation, right side  
elevation, bottom and top views, respectively, of pump  
components in accordance with a first embodiment of my  
new design illustrating a utility pump with two outlet  
options, for convenience, the top view of FIG. 8 has been  
illustrated below the coiled power cord to better show the  
top of the pump components;

FIGS. 9-16 are top perspective, bottom perspective, rear  
elevation, front elevation, left side elevation, right side  
elevation, bottom and top views, respectively, of pump  
components in accordance with a second embodiment of my  
new design illustrating a utility pump with two outlet  
options, for convenience, the top view of FIG. 16 has been  
taken below the coiled power cord to better show the top of  
the pump components;

FIG. 17 is a perspective view of the pump components of  
FIGS. 9-16 lined for the color orange;

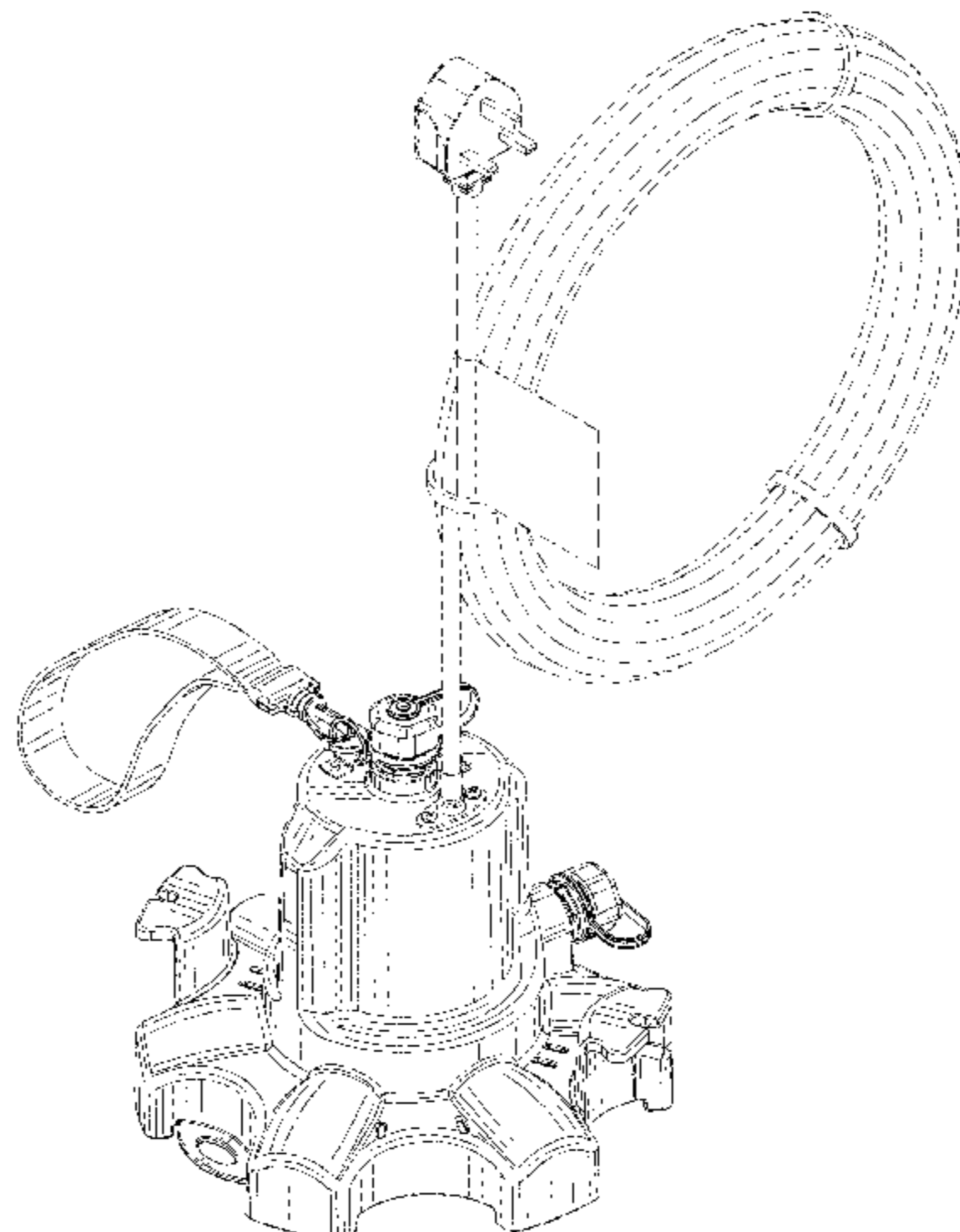
FIG. 18 is a perspective view of the pump components of  
FIGS. 9-16 lined for the color blue;

FIG. 19 is a perspective view of the pump components of  
FIGS. 9-16 lined for the color red; and,

FIG. 20 is a perspective view of the pump components of  
FIGS. 9-16 lined for the color green.

The portions of the pump components shown in broken lines  
in the figures depict unclaimed environmental subject mat-  
ter, are for illustrative purposes only, and form no part of the  
claimed design. Similarly, unshaded portions that appear  
between broken lines or beyond boundary or break lines in  
the figures form no part of the claimed design. The pump  
components shown in black and lined for the colors orange,  
blue, red and green in FIGS. 17-20 represent embodiments  
with tonal contrast in appearance with respect to the pump  
housing and the pump outlet caps. The lining for color

(Continued)



shown in the embodiments of FIGS. 17-20 represent a pump housing having an orange finish, such as Pantone 165 (e.g., PMS 165 orange), a blue finish, such as Pantone 280 (e.g., PMS 280 blue), a red finish, such as Pantone 711 C (e.g., PMS 711 C red), and a green finish, such as Pantone 7482 C (e.g., PMS 7482 C green), respectively. In a preferred form, the outlet caps are black in color, such as Pantone Black (e.g., PMS Black C).

**1 Claim, 20 Drawing Sheets**

(58) **Field of Classification Search**

CPC ..... F02M 37/04; F02M 37/14; F04B 53/92;  
F04B 1/005; F04D 13/06; F04D 29/22;  
F04D 29/046; F04D 29/2266

See application file for complete search history.

(56) **References Cited**

U.S. PATENT DOCUMENTS

2,863,525	A	12/1958	Lucian
3,400,732	A	9/1968	Larrabee
3,684,096	A	8/1972	Kretchman
3,822,967	A	7/1974	Cade
3,936,240	A	2/1976	Dochterman
4,482,300	A	11/1984	Brown
4,820,131	A	4/1989	Johnson
4,961,018	A	10/1990	Akhter
5,055,000	A	10/1991	Akhter
5,131,821	A	7/1992	Marioni
5,145,322	A	9/1992	Senior, Jr.
5,145,337	A	9/1992	Kirkland
5,181,841	A	1/1993	Kirkland
5,205,725	A	4/1993	Pattison
5,494,414	A	2/1996	Steinhart
5,525,039	A	6/1996	Sieghartner
5,599,164	A	2/1997	Murray
D394,067	S	5/1998	Kon
5,833,437	A	11/1998	Kurth
6,049,666	A	4/2000	Bennett
6,149,390	A	11/2000	Fisher
6,375,430	B1	4/2002	Eckert
6,390,780	B1	5/2002	Batchelder
6,443,715	B1	9/2002	Mayleben
6,464,531	B2	10/2002	Eckert
D466,527	S	12/2002	Graber
6,575,714	B2	6/2003	Pace
6,676,382	B2	1/2004	Leighton
7,153,418	B2	12/2006	Mauro, Sr.
7,264,449	B1	9/2007	Harned
D589,060	S	3/2009	Metcalf
7,544,041	B2	6/2009	Mayleben
D602,501	S	10/2009	Ton
7,597,732	B2	10/2009	Yokota
D611,504	S	3/2010	Ton
D667,466	S	9/2012	Moormann
8,297,952	B2	10/2012	Wu
8,380,355	B2	2/2013	Mayleben

8,529,228	B1	9/2013	Thompson
D691,638	S	10/2013	Alexander
D698,368	S	1/2014	Le
8,636,898	B2	1/2014	Perez
D706,834	S	6/2014	Haslock
D707,718	S	6/2014	Gomez
8,794,936	B2	8/2014	Tokuo
D738,402	S	9/2015	Nelson
D739,919	S	9/2015	Alexander
D744,003	S	11/2015	Ton
9,399,976	B2	7/2016	Ramamurthy
9,605,688	B2	3/2017	Perez
D788,932	S	6/2017	Ton
9,810,241	B2	11/2017	Gell, III
D817,363	S	5/2018	Alexander
D823,345	S	7/2018	Cooper
D823,898	S	7/2018	Alexander
D836,677	S	12/2018	Alexander
D848,487	S	5/2019	van Opdorp
D875,142	S *	2/2020	Wilds ..... D15/7
2003/0002996	A1	1/2003	Pace
2003/0161732	A1	8/2003	Kimberlin
2005/0201858	A1	9/2005	Wang
2005/0231899	A1	10/2005	Barnes
2006/0064954	A1	3/2006	Yokota
2006/0083630	A1	4/2006	Chen
2013/0214895	A1	8/2013	Ullermann
2014/0166109	A1	6/2014	Takai
2014/0286747	A1	9/2014	Fang
2014/0341752	A1	11/2014	Gell, III
2015/0167673	A1	6/2015	Saccoccio
2015/0308425	A1	10/2015	Skotty
2016/0037987	A1	2/2016	Caro
2017/0030371	A1	2/2017	Wilds
2019/0048875	A1	2/2019	Mayleben

FOREIGN PATENT DOCUMENTS

EP	1241357	9/2002
EP	3058800 A1	8/2016
RU	2489784	7/2013
RU	166537	11/2016
WO	0017521	3/2000
WO	2006137777	12/2006
WO	2011137425	11/2011
WO	2012037991	3/2012

OTHER PUBLICATIONS

Blue Angel Pump Company, Blue Angel Catalog, 2018, 34 pp.  
Blue Angel Pump Company, Blue Angel Catalog, Oct. 2015, 39 pp.  
Wayne Water Systems, Wayne Catalog, Oct. 2014, 52 pp.  
Wayne/Scott Fetzer Company, Operating Instructions and Replacement Parts List, Submersible Utility Pumps VIP Series, that discloses a pump that was on sale or publicly disclosed more than 1 year before the filing date of the instant application, 2011, 12 pp.  
Wayne/Scott Fetzer Company, Watering & System Installation Guide, Dewatering Pump TSC, that discloses a pump that was on sale or publicly disclosed more than 1 year before the filing date of the instant application, 2016, 11 pp.

\* cited by examiner

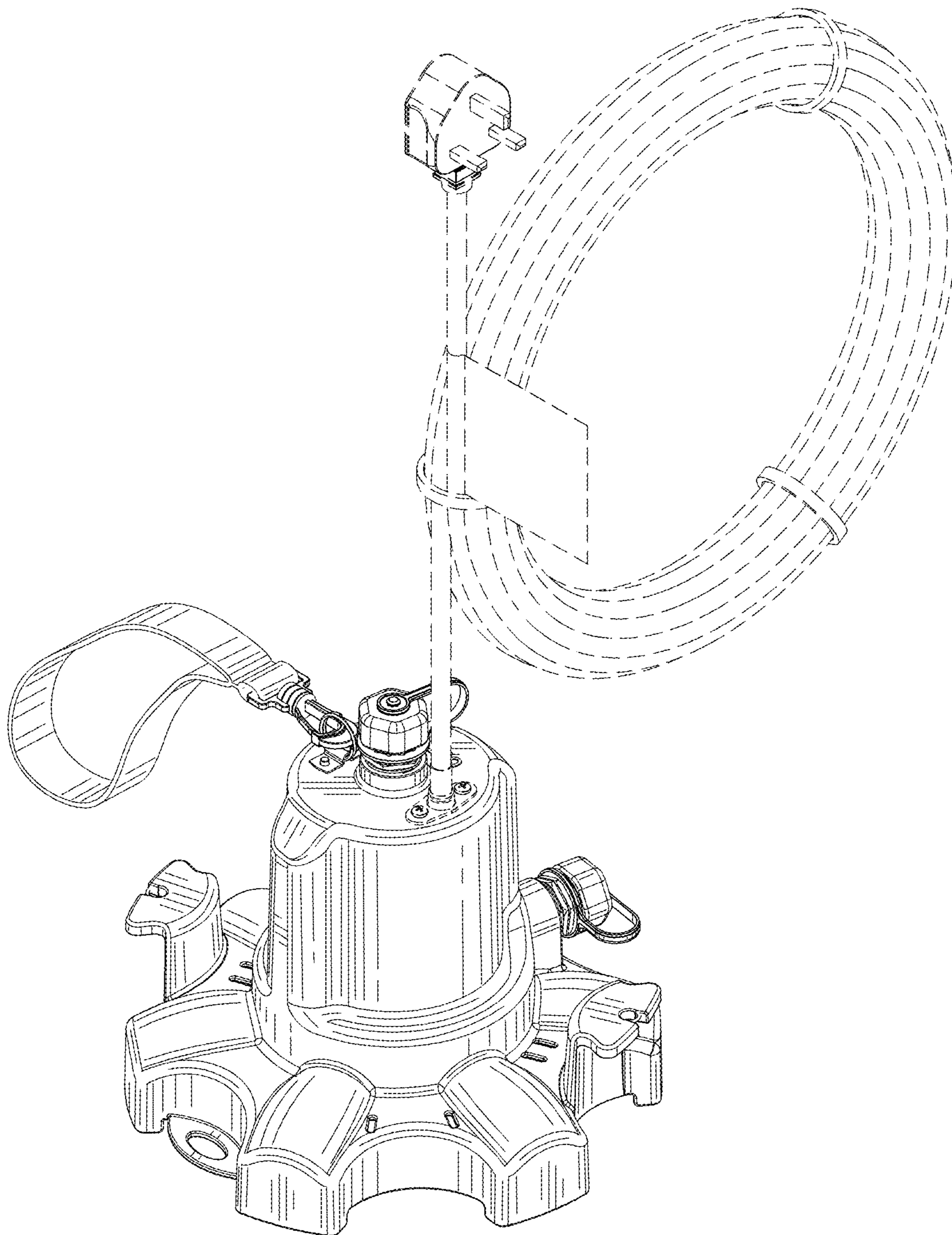


FIG. 1

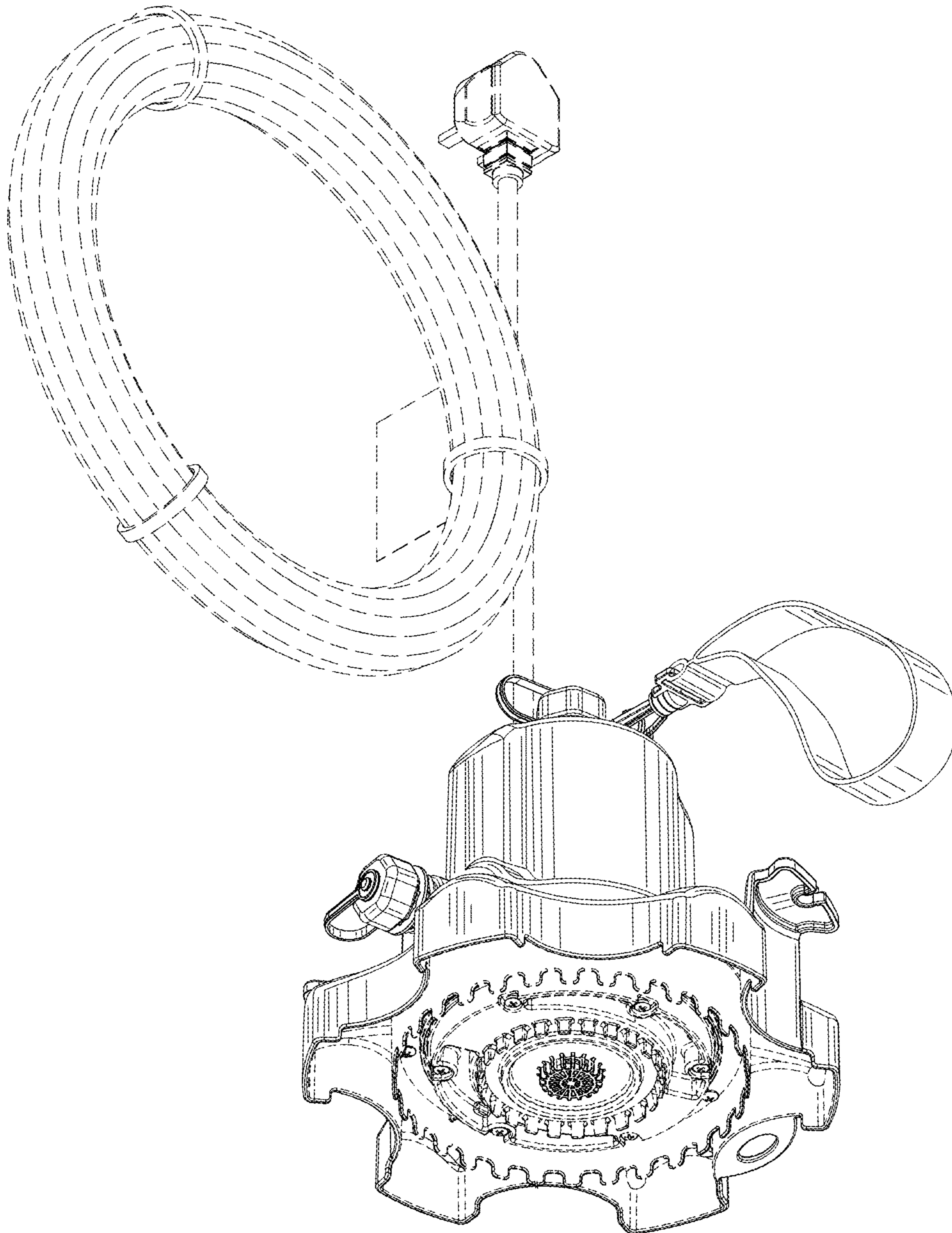


FIG. 2

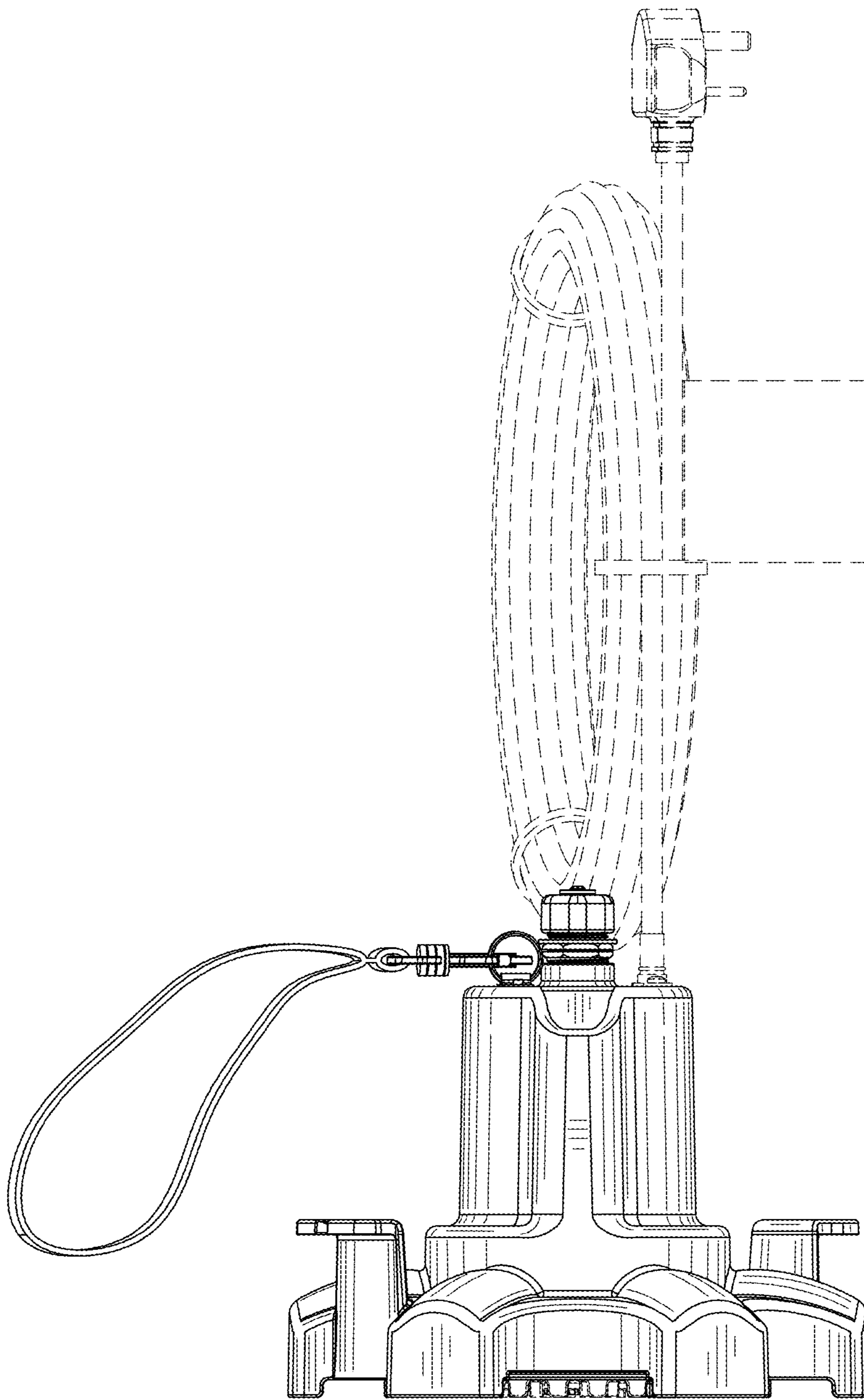


FIG. 3

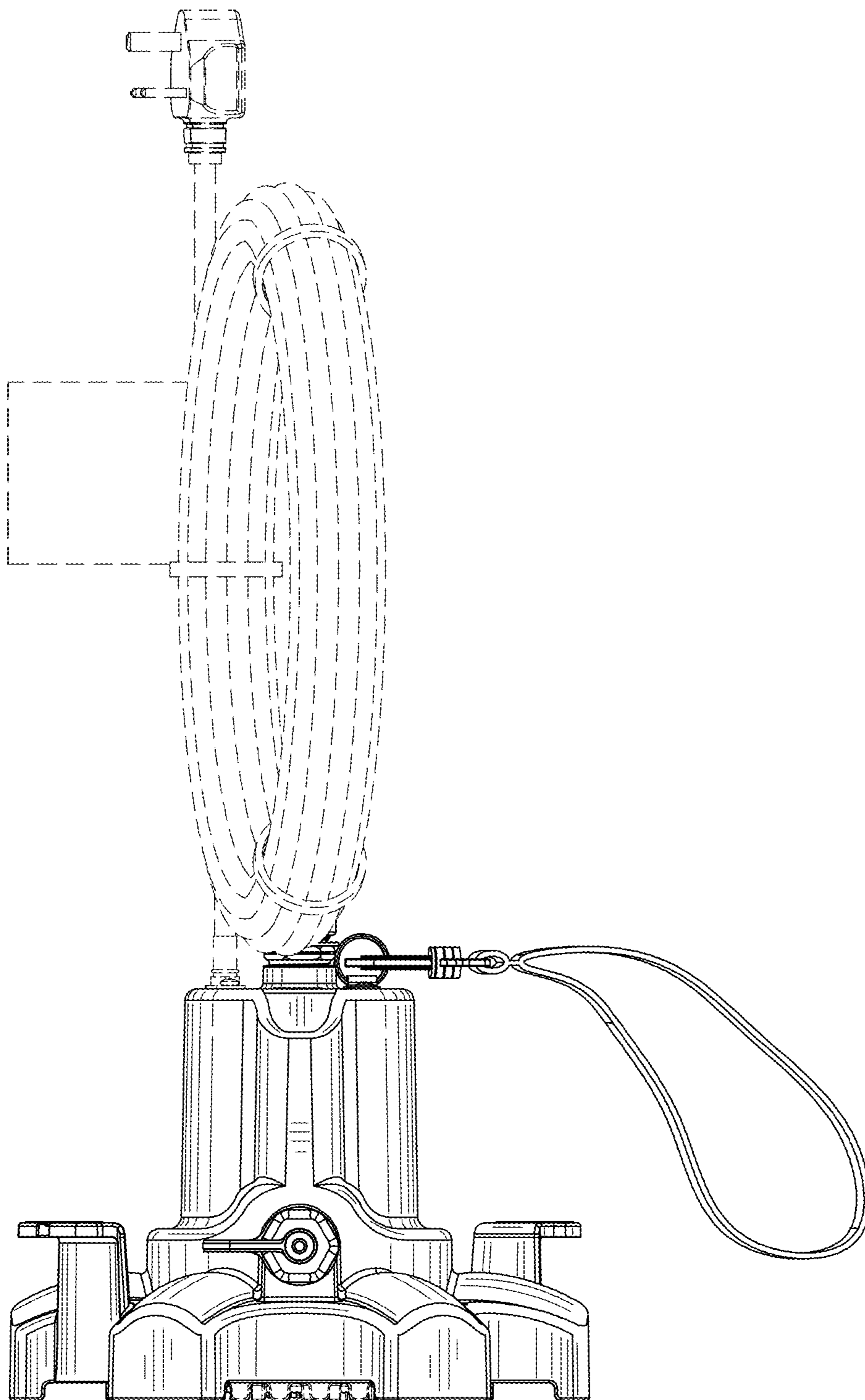


FIG. 4

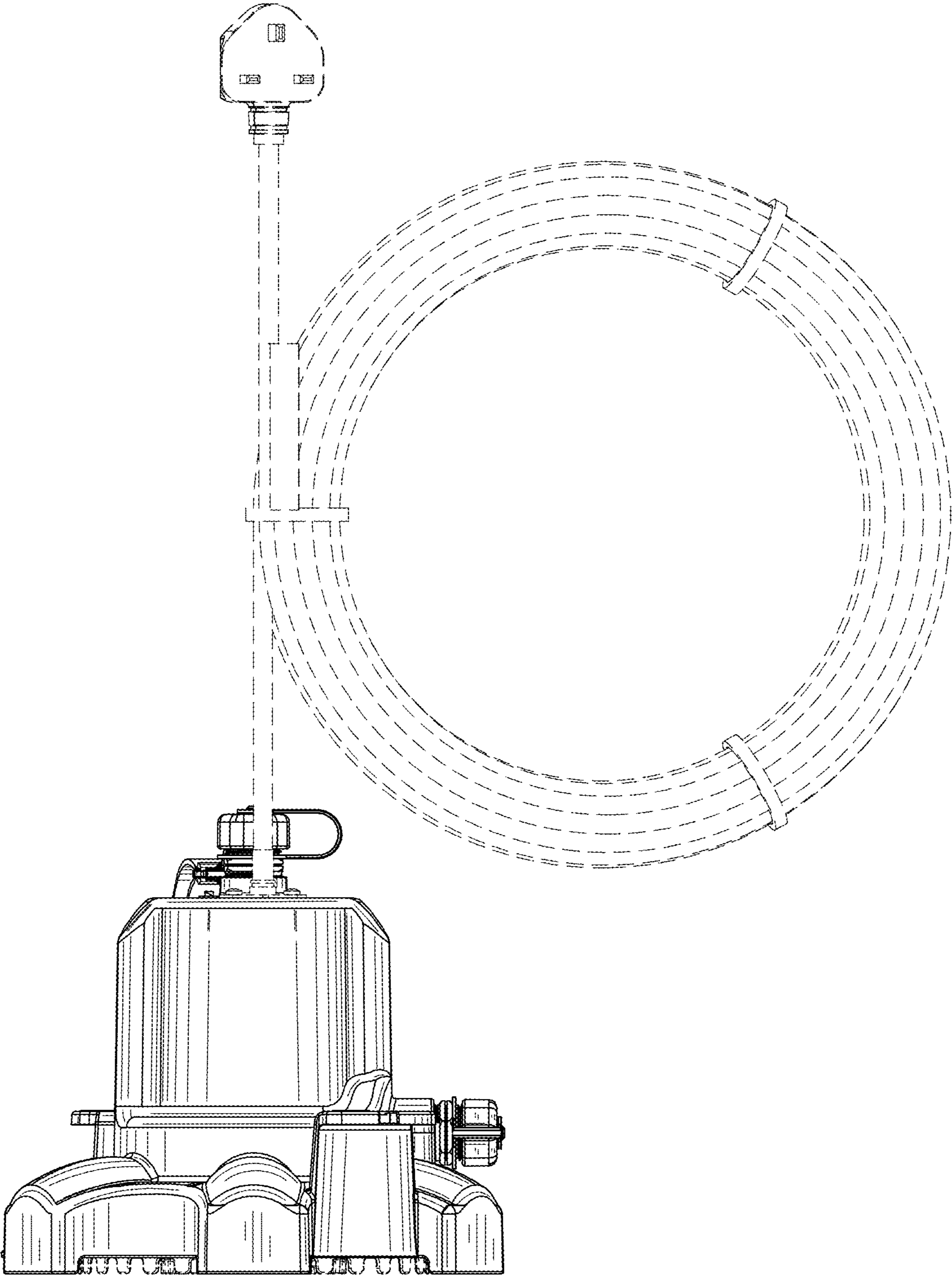


FIG. 5

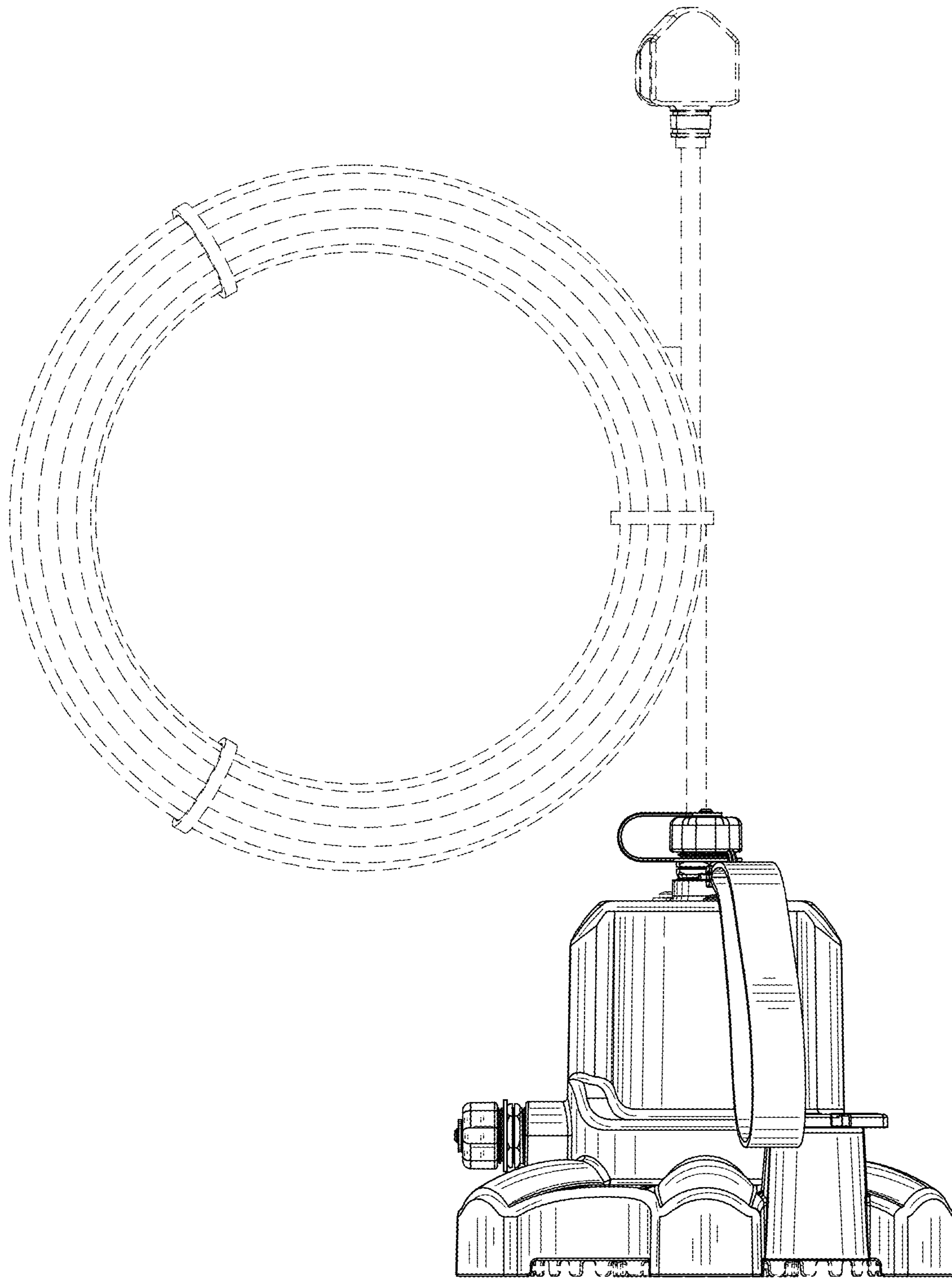


FIG. 6



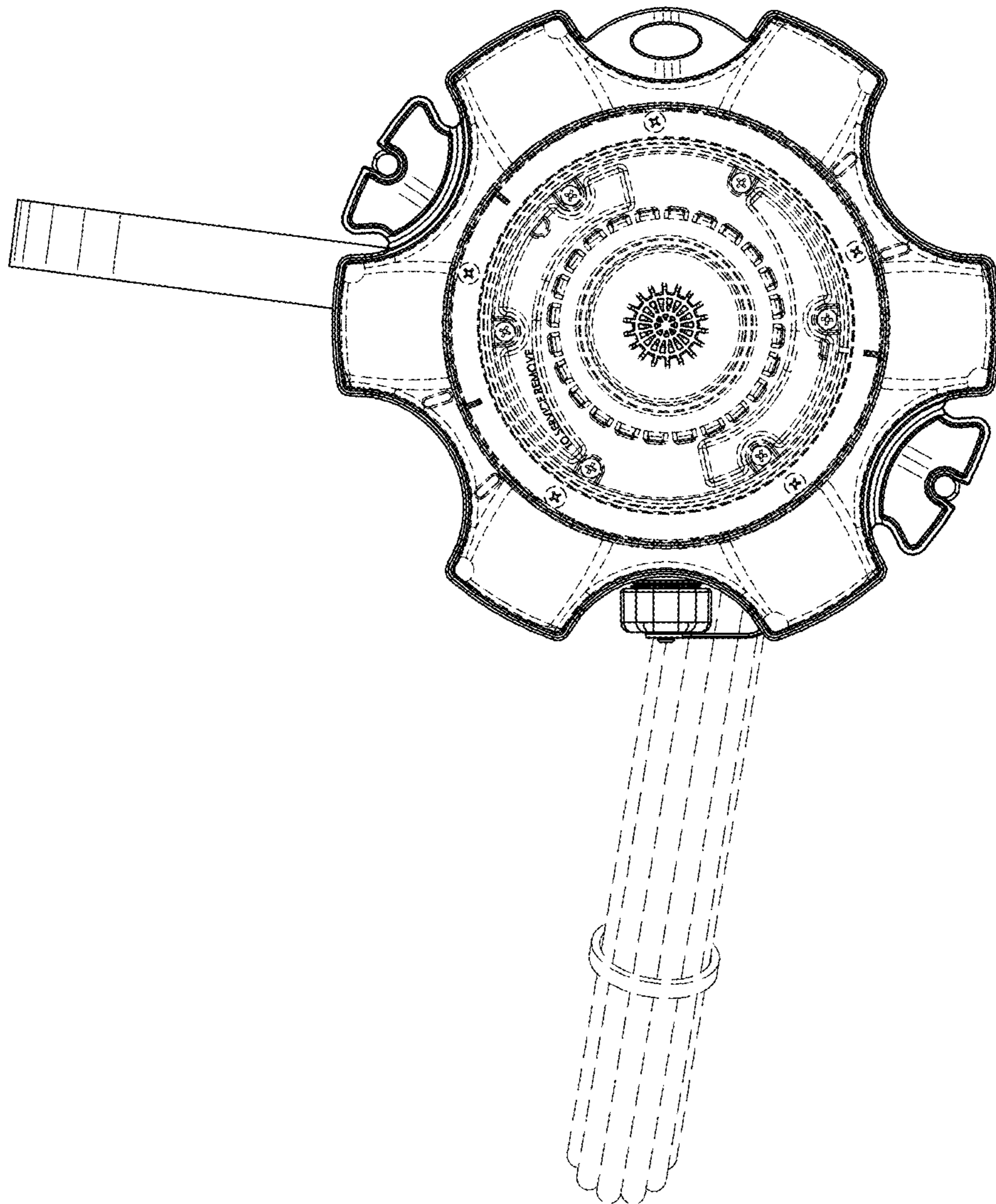


FIG. 7

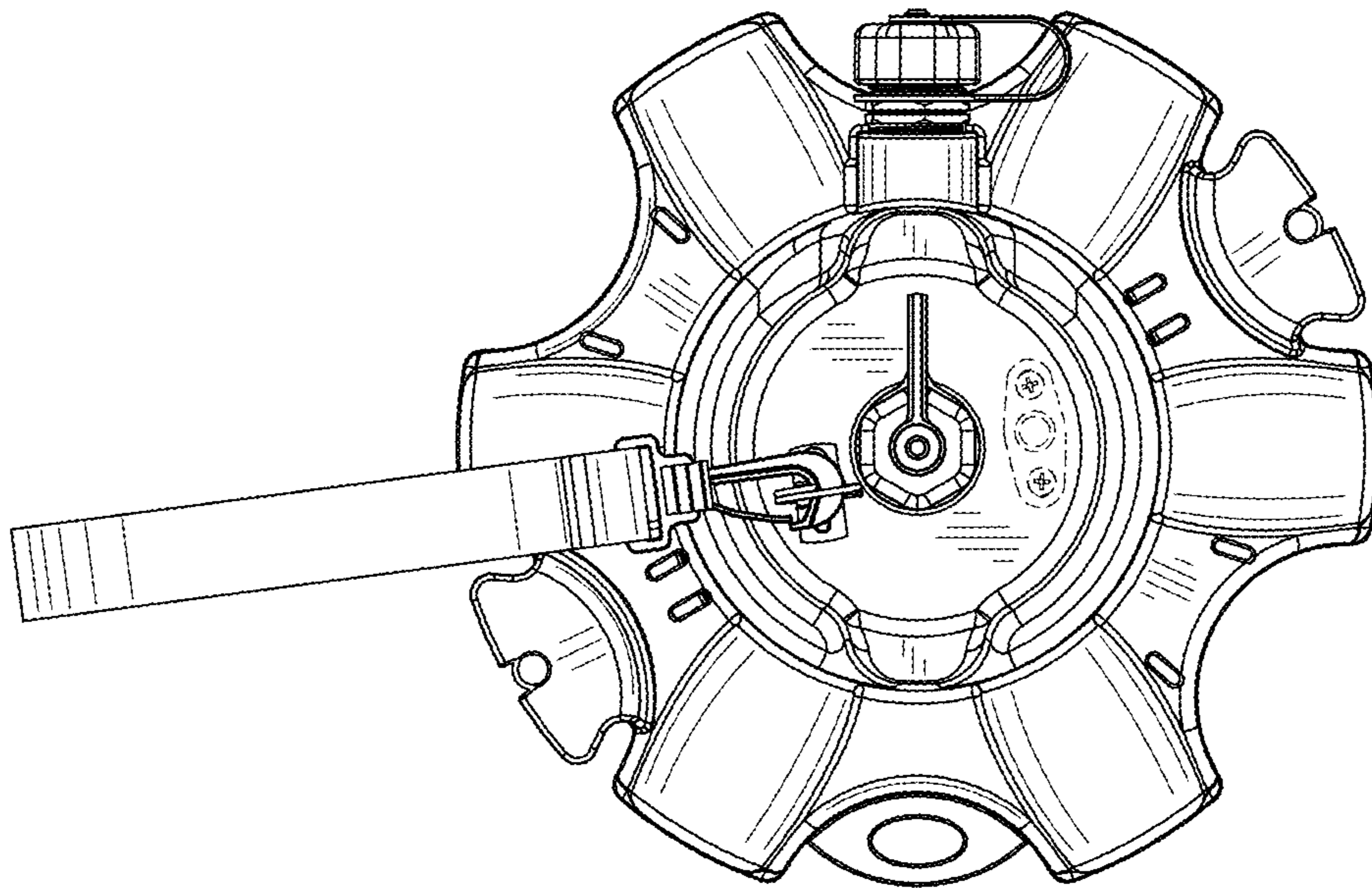


FIG. 8

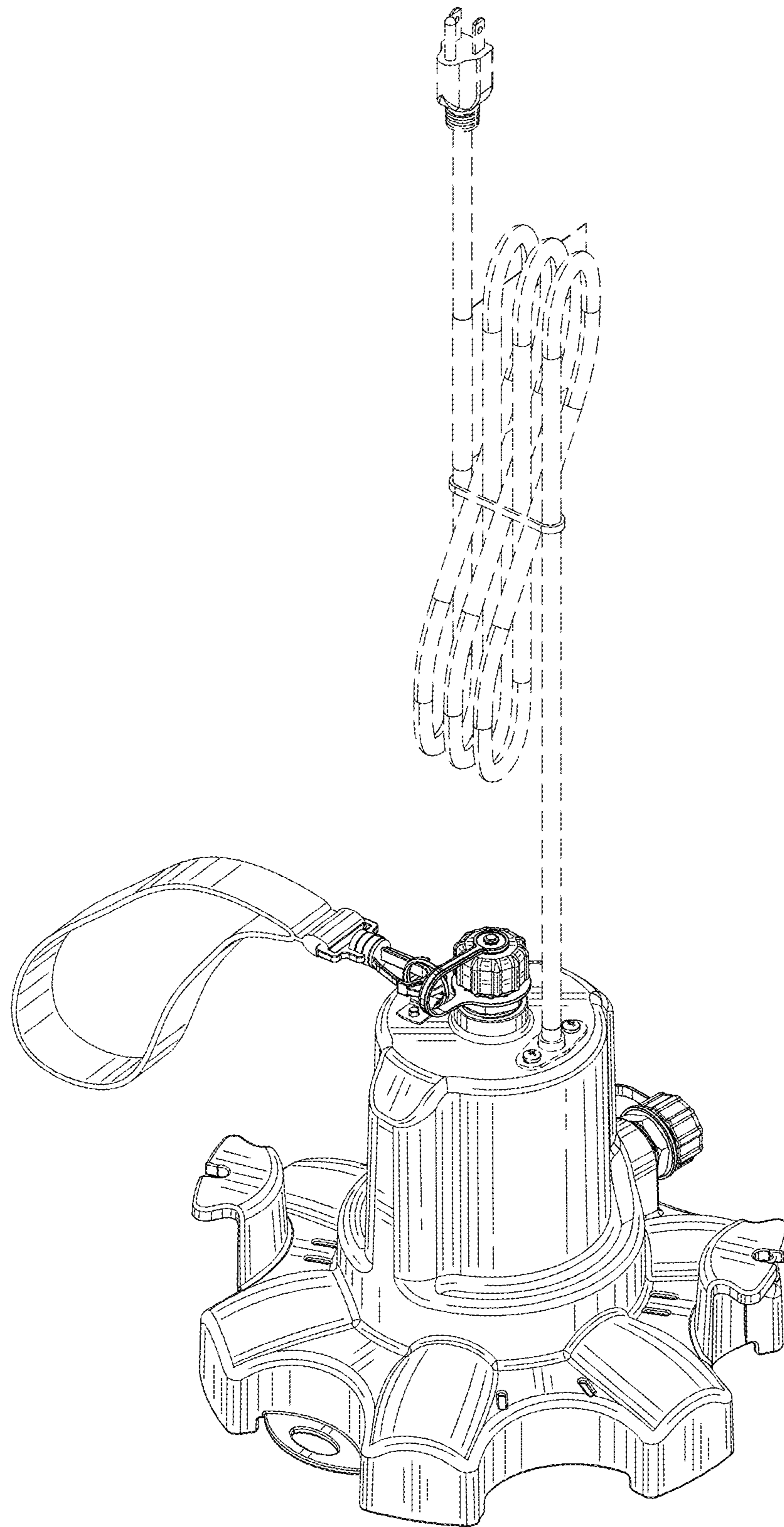


FIG. 9

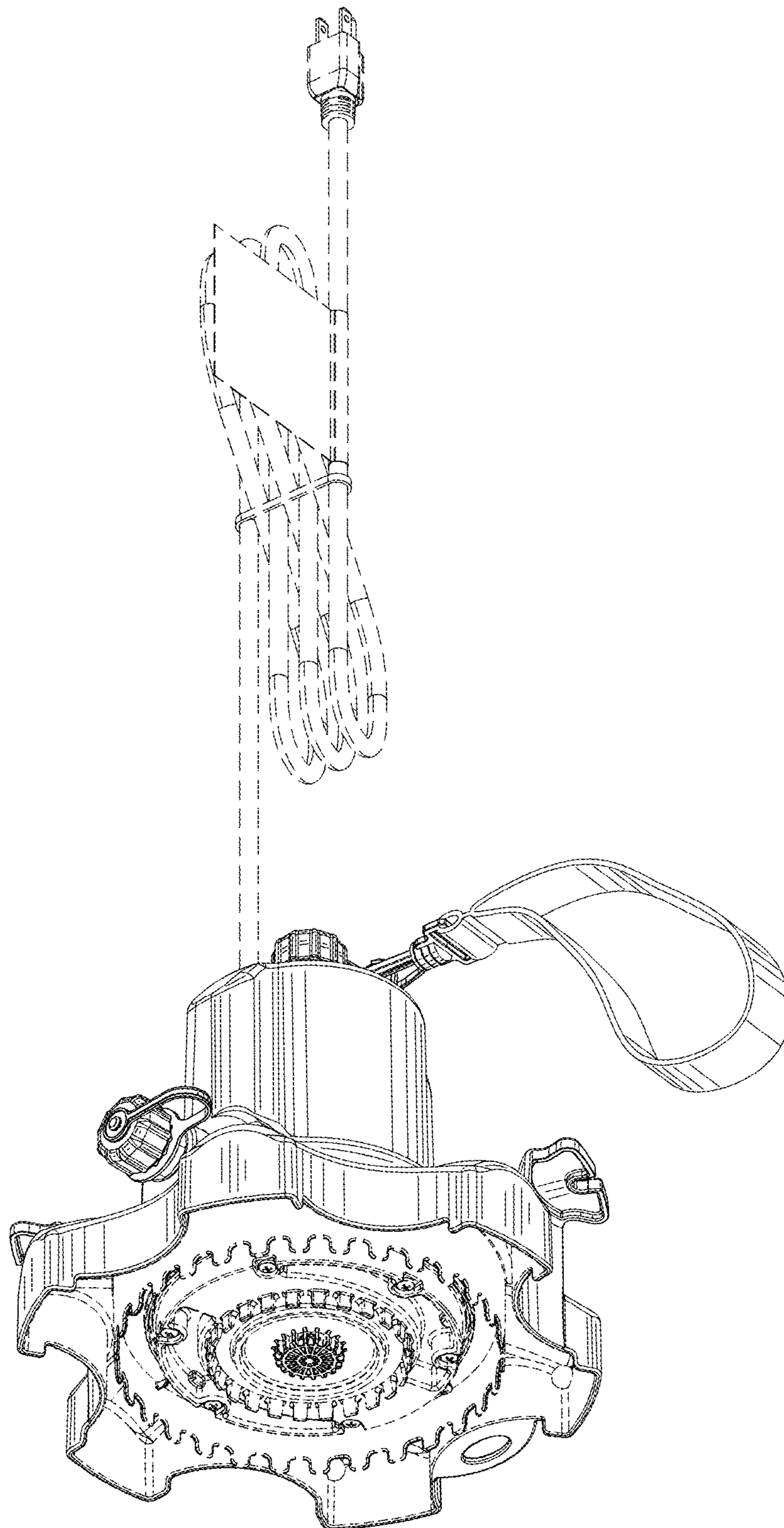


FIG. 10

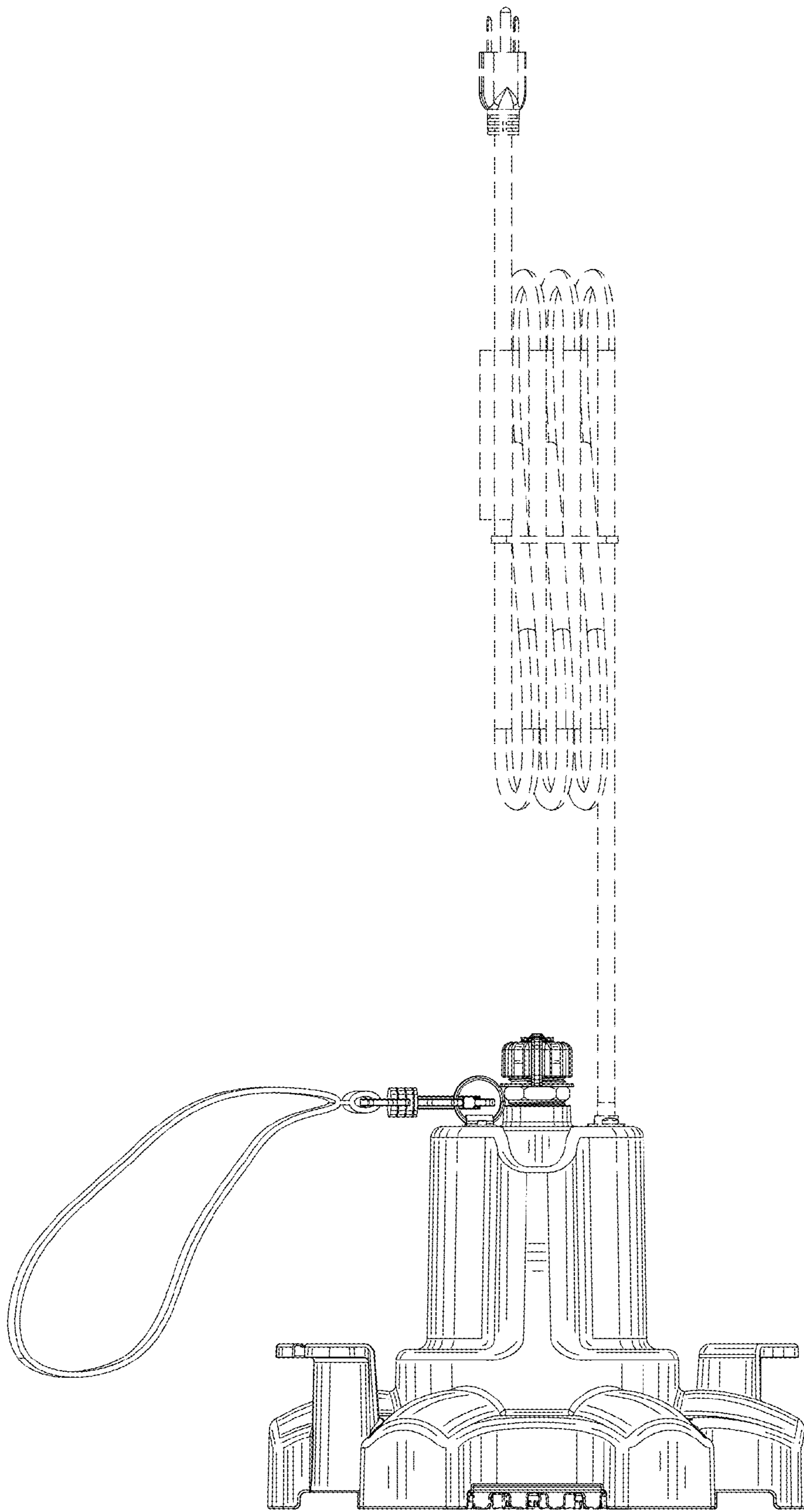


FIG. 11

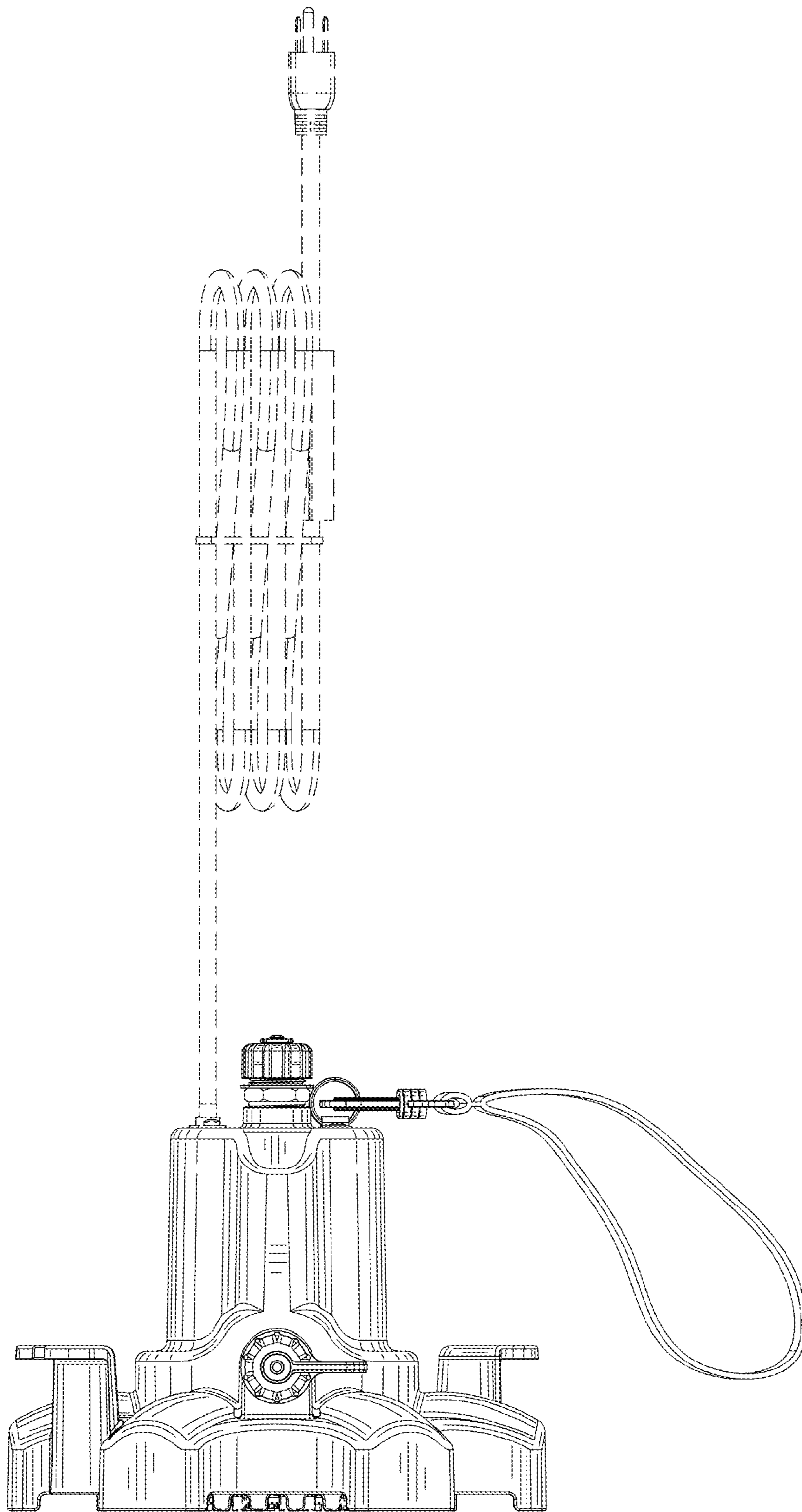


FIG. 12

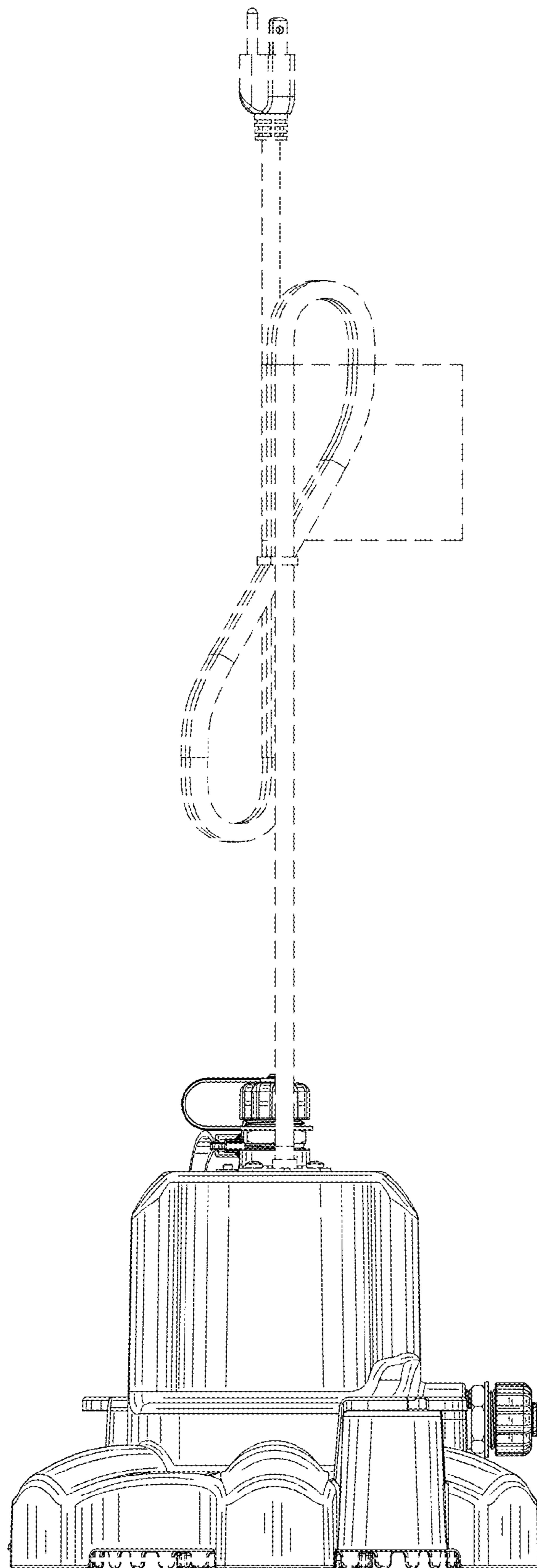


FIG. 13

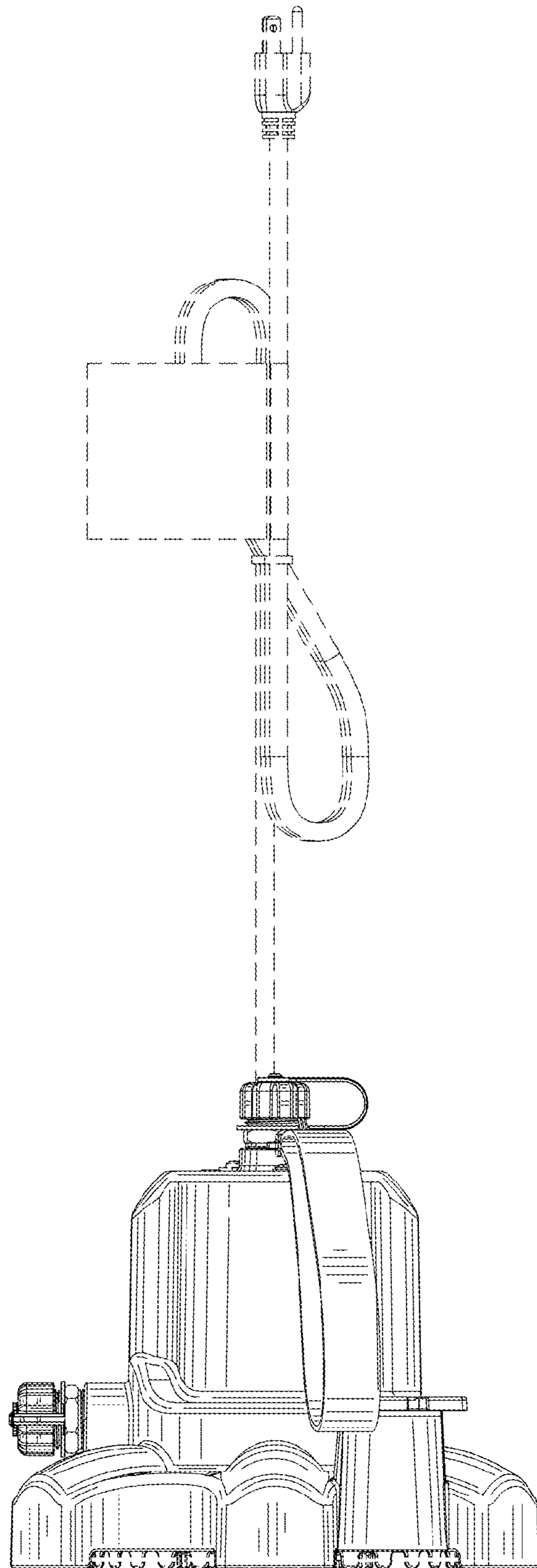


FIG. 14



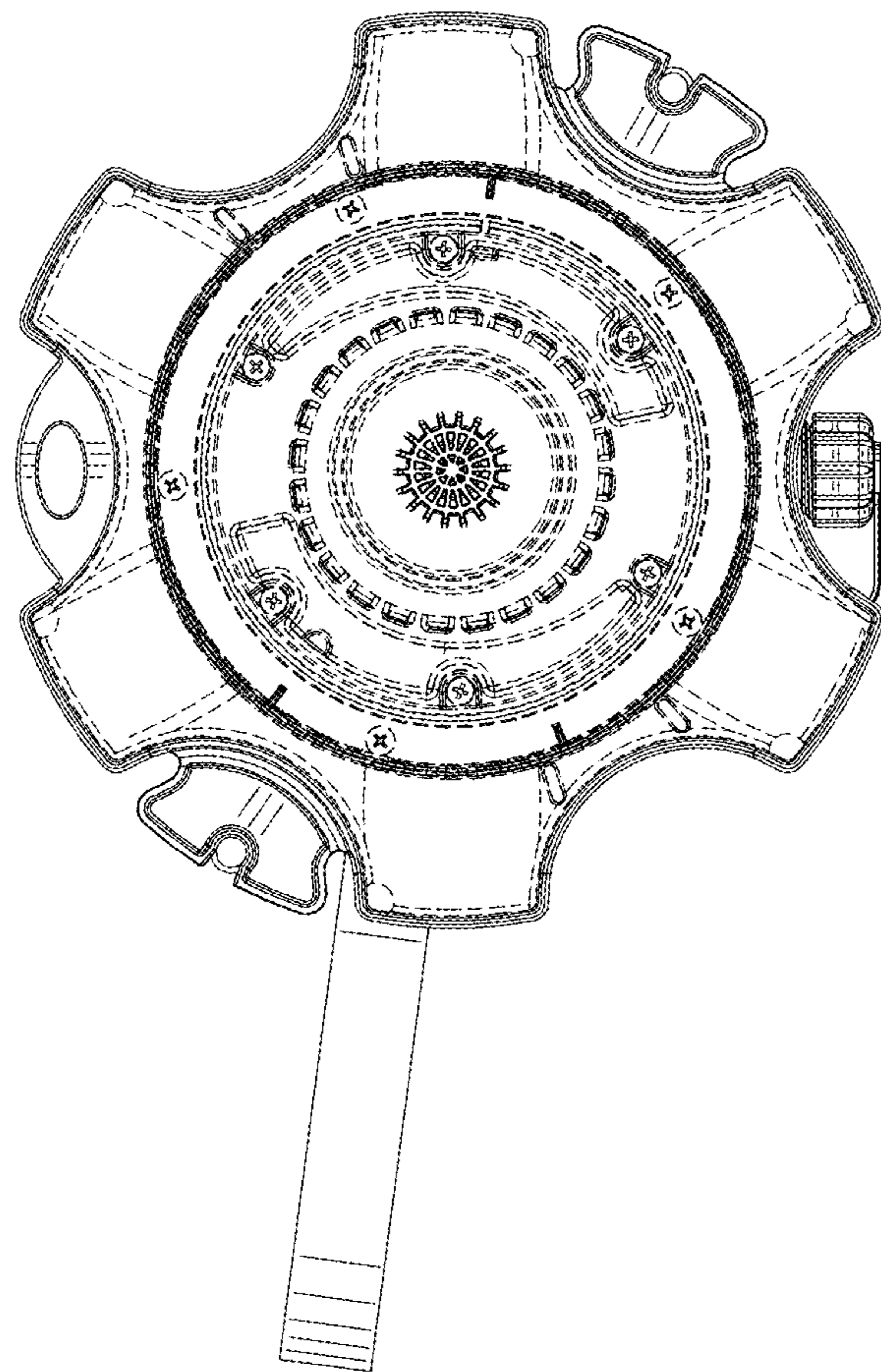


FIG. 15

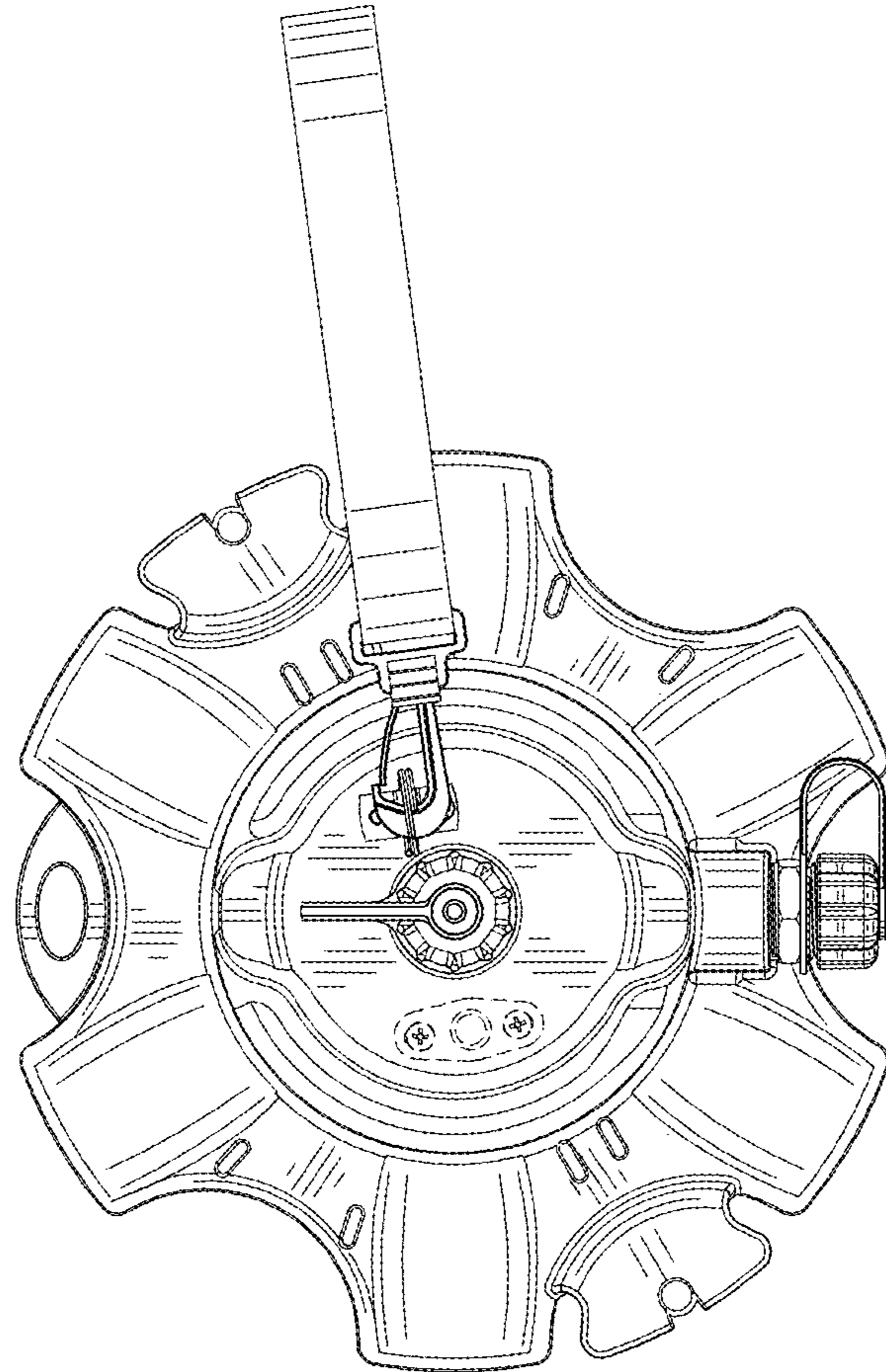


FIG. 16

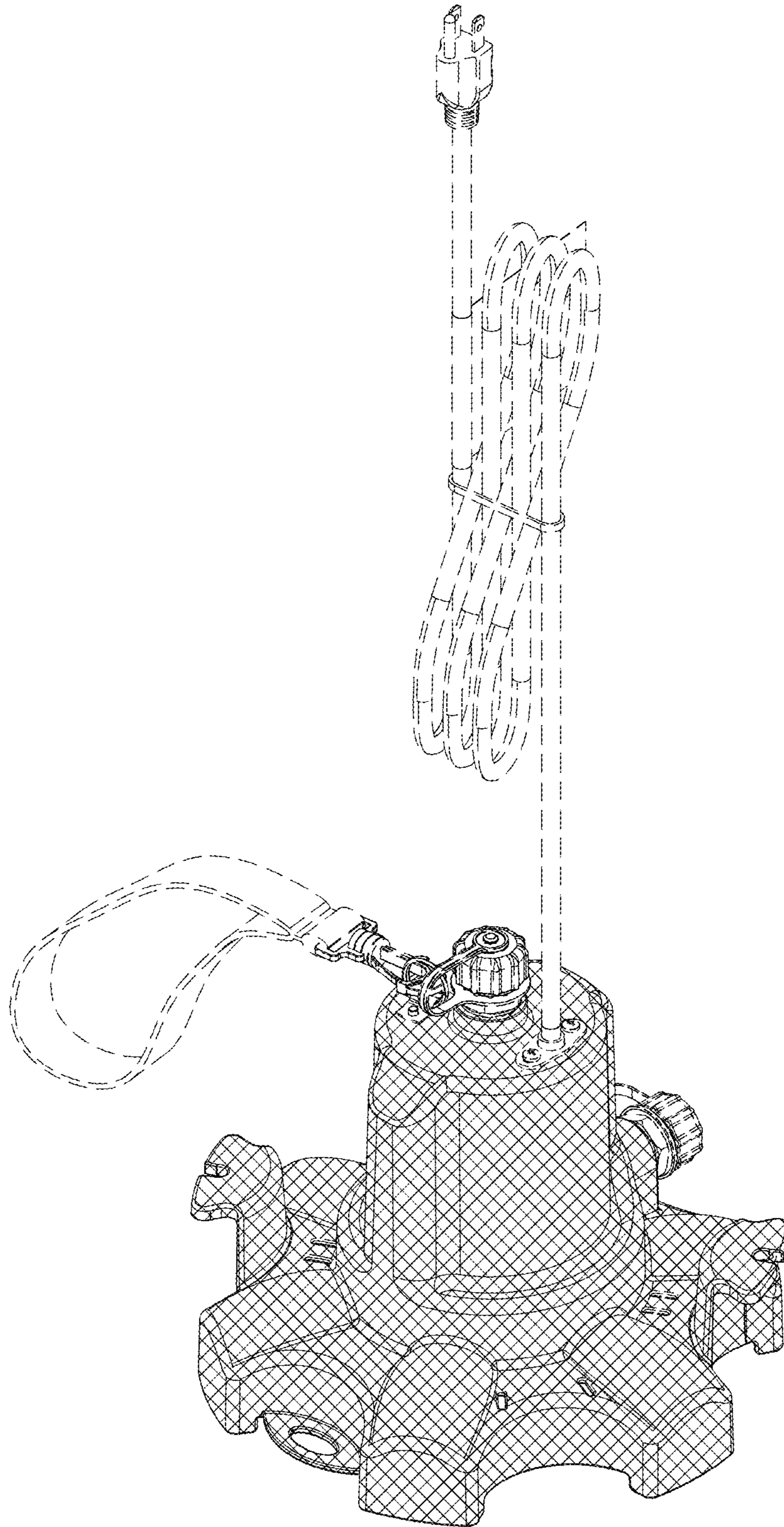


FIG. 17

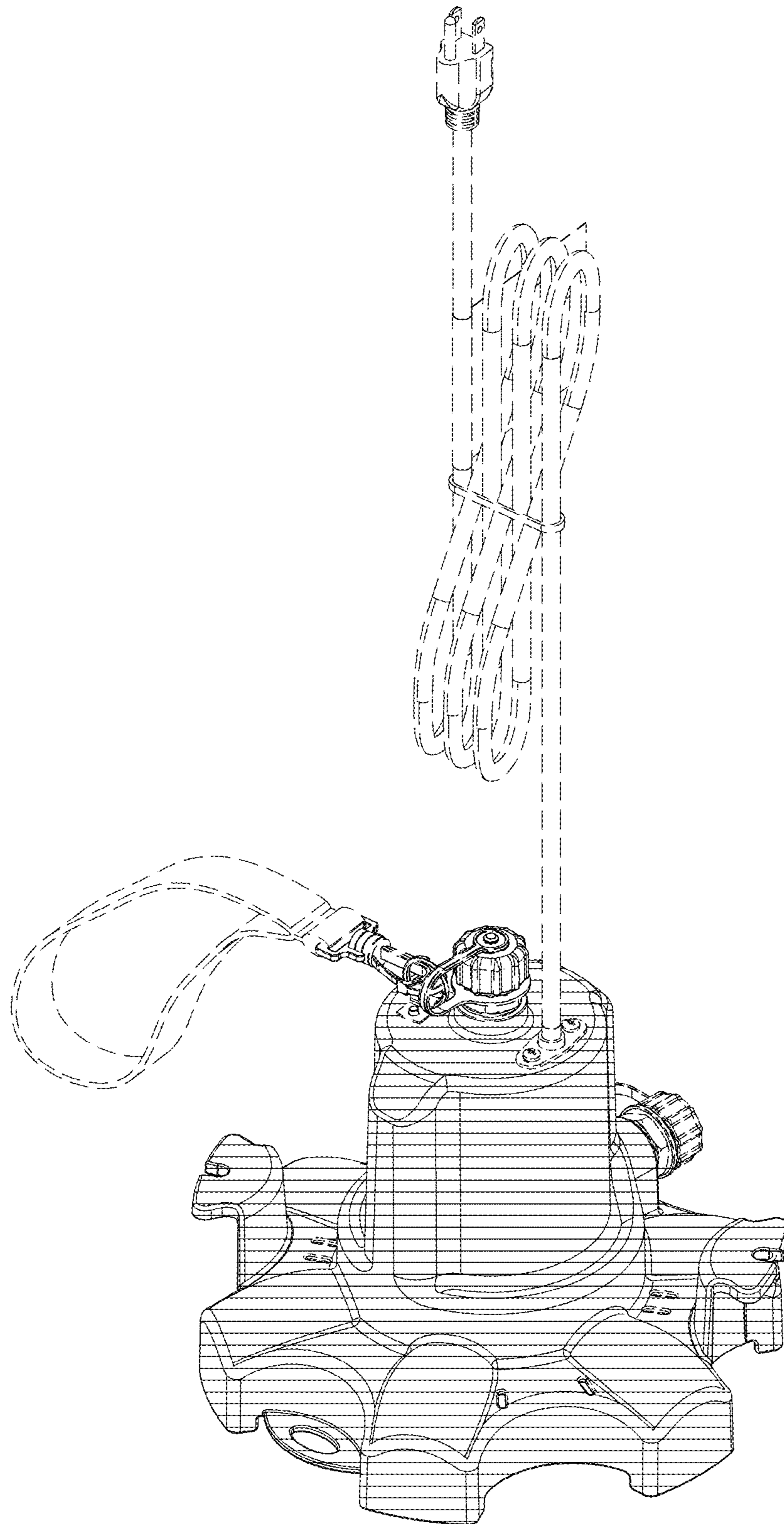


FIG. 18

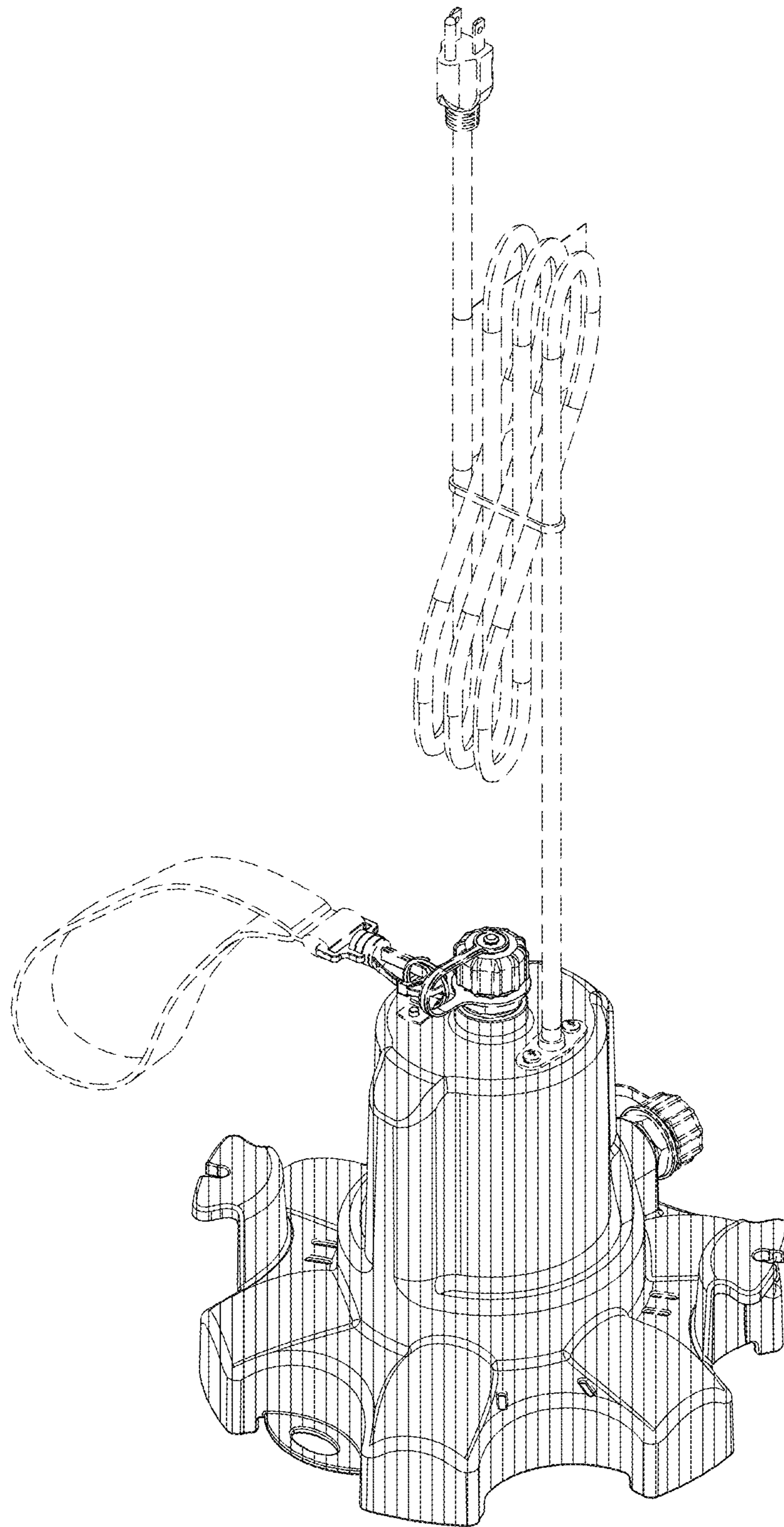


FIG. 19

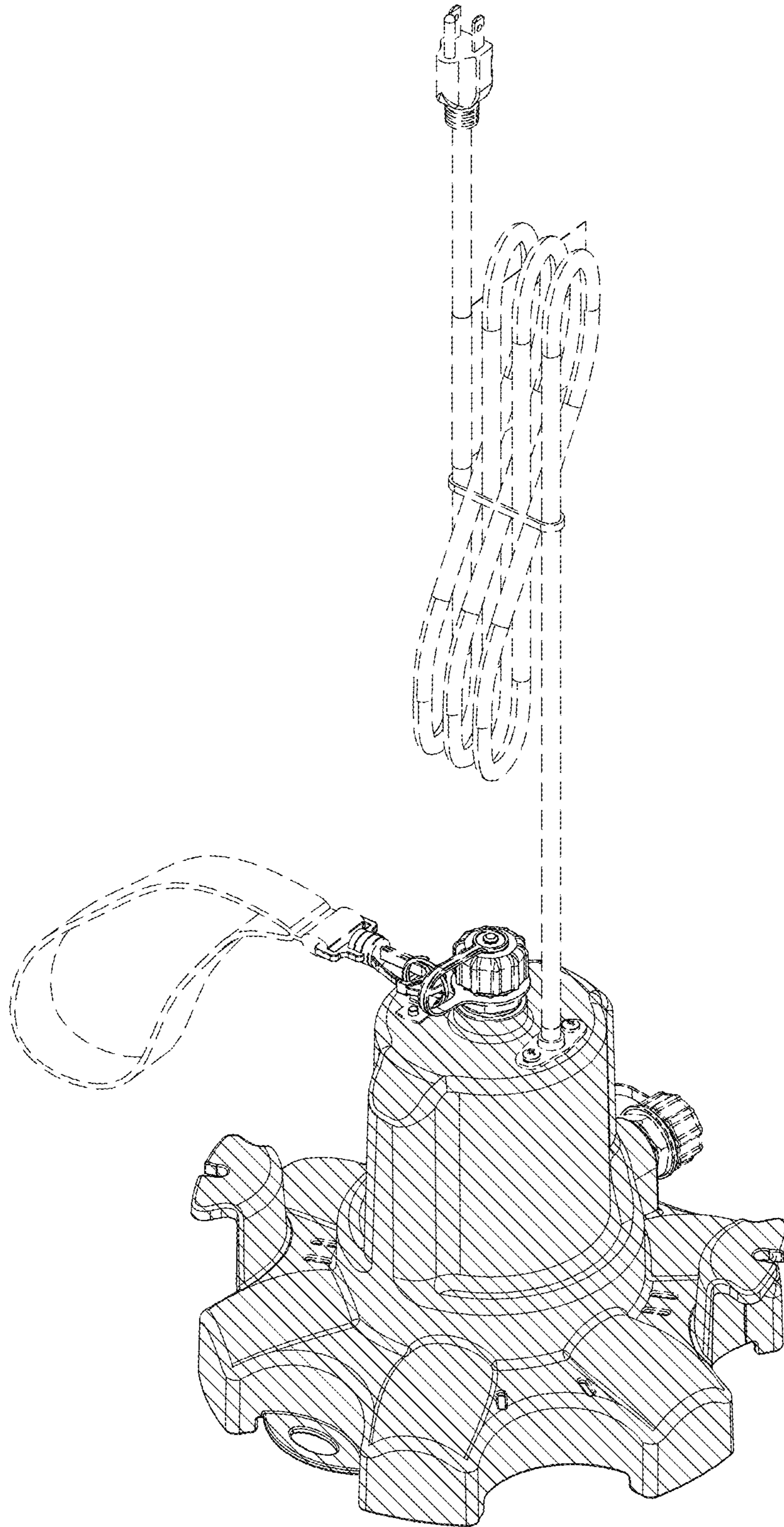


FIG. 20