



US00D910718S

(12) **United States Design Patent**
Shea et al.

(10) **Patent No.:** **US D910,718 S**
(45) **Date of Patent:** **** Feb. 16, 2021**

- (54) **FUEL CELL METERING VALVE**
- (71) Applicant: **Illinois Tool Works Inc.**, Glenview, IL (US)
- (72) Inventors: **Maureen L. Shea**, Chicago, IL (US);
Anna Ky, Harwood Heights, IL (US);
DeShaunne LeAnne Owens, Chicago, IL (US)
- (73) Assignee: **Illinois Tool Works Inc.**, Glenview, IL (US)
- (**) Term: **15 Years**
- (21) Appl. No.: **29/659,623**
- (22) Filed: **Aug. 10, 2018**

6,311,876 B1 * 11/2001 Liu B65D 83/20
222/394

D452,554 S 12/2001 McKee et al.
D457,811 S 5/2002 Vanstaan et al.
6,796,478 B2 9/2004 Shkolnikov et al.
(Continued)

FOREIGN PATENT DOCUMENTS

EP 1 254 745 11/2002
EP 2 815 851 12/2014

OTHER PUBLICATIONS

Paslode Quicklode Fuel Cartridge Image, http://static.grainger.com/rp/s/is/image/Grainger/31EE19_AS01?hei=800&wid=935, Jan. 19, 2016, (1 page).

(Continued)

Primary Examiner — Susan E Krakower
Assistant Examiner — Jerry Shiuian-Hua Hsu
(74) *Attorney, Agent, or Firm* — Neal, Gerber & Eisenberg LLP

Related U.S. Application Data

- (63) Continuation of application No. 29/586,985, filed on Dec. 8, 2016, now Pat. No. Des. 828,398.
- (51) **LOC (13) Cl.** **15-01**
- (52) **U.S. Cl.**
USPC **D15/5; D23/233**
- (58) **Field of Classification Search**
USPC D15/5, 148; D23/233–237, 244–249
CPC B60C 29/06; B60C 29/006; B60C 29/05;
B60C 29/066; B60C 23/00; B60C 23/0494; B25C 1/18; B25C 1/04; B25C 1/08; F17C 13/04; B65D 83/20
See application file for complete search history.

(57) **CLAIM**

The ornamental design for a fuel cell metering valve, as shown and described.

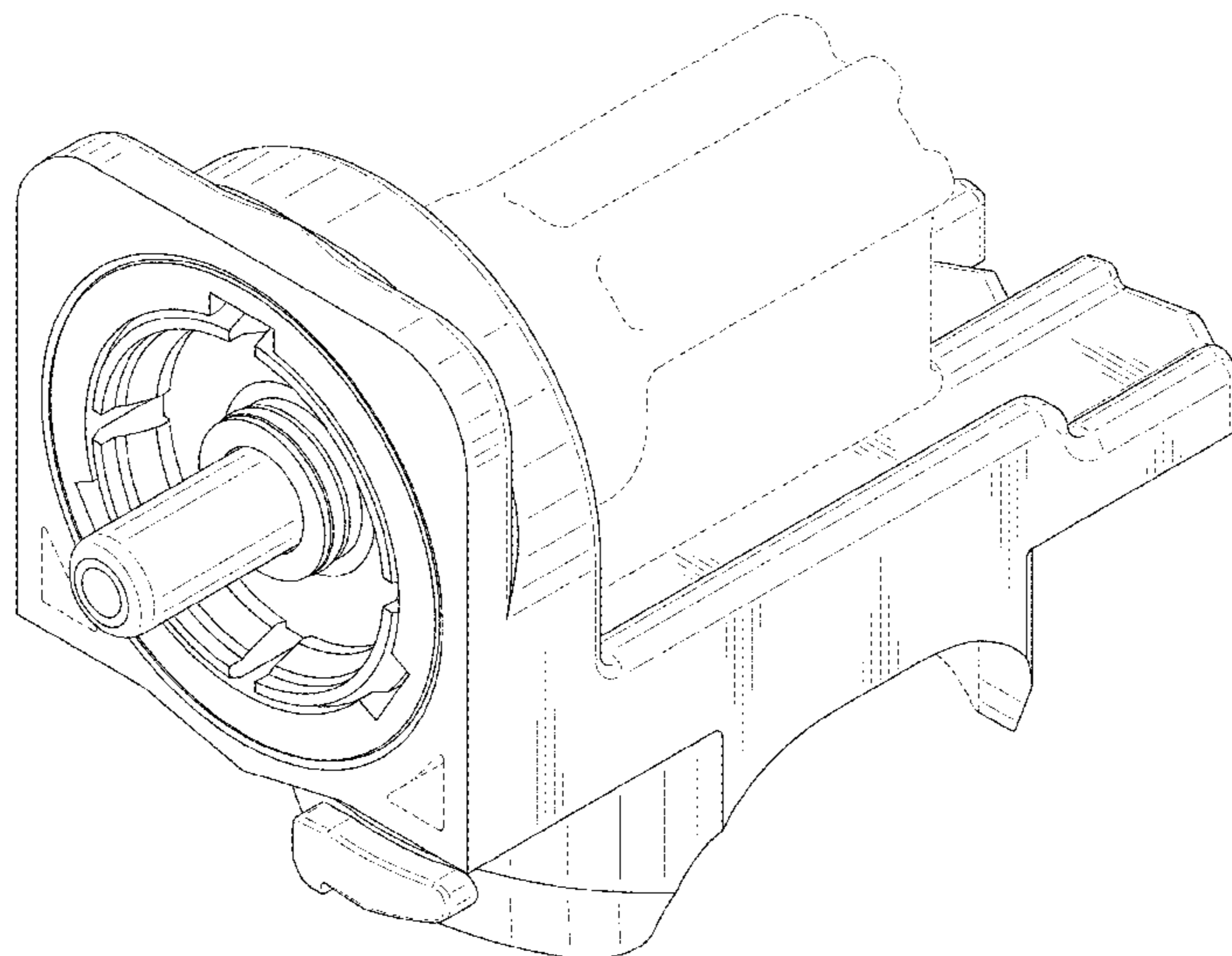
DESCRIPTION

FIG. 1 is a top front perspective view of a fuel cell metering valve showing our new design.
FIG. 2 is a front elevation view thereof;
FIG. 3 is a rear elevation view thereof;
FIG. 4 is a left elevation view thereof;
FIG. 5 is a right elevation view thereof;
FIG. 6 is a top plan view thereof; and,
FIG. 7 is a bottom plan view thereof.
The broken lines shown in the Figures are included for the purpose of illustrating portions of the fuel cell metering valve and form no part of the claimed design.

(56) **References Cited**
U.S. PATENT DOCUMENTS

4,403,722 A	9/1983	Nikolich
4,483,474 A	11/1984	Nikolich
4,522,162 A	6/1985	Nikolich
5,115,944 A	5/1992	Nikolich
D410,659 S	6/1999	Lannoch
6,176,412 B1	1/2001	Weinger et al.
6,302,297 B1	10/2001	Richardson et al.

1 Claim, 7 Drawing Sheets



(56)

References Cited

U.S. PATENT DOCUMENTS

D529,578 S 10/2006 Yamamoto
 7,392,922 B2 1/2008 Vanstaen et al.
 7,445,136 B2* 11/2008 Lin F17C 13/04
 222/402.1
 7,478,740 B2 1/2009 Shea et al.
 D590,840 S 4/2009 Shea et al.
 7,571,841 B2 8/2009 Gibson et al.
 7,591,249 B2 9/2009 Wagdy et al.
 7,654,429 B2 2/2010 Shea et al.
 7,661,568 B2 2/2010 Vanstaen et al.
 7,757,920 B2 7/2010 Shea et al.
 D633,922 S 3/2011 Shea et al.
 D645,053 S 9/2011 Shea et al.
 8,302,831 B2 11/2012 Taylor et al.
 D681,677 S 5/2013 Shea et al.
 D706,395 S * 6/2014 Opfer D23/233
 D706,396 S * 6/2014 Opfer D23/233
 8,939,339 B2 1/2015 Vanstaen et al.
 D828,398 S * 9/2018 Shea D15/5

2008/0000451 A1 1/2008 Shea et al.
 2010/0096429 A1* 4/2010 Ho B25C 1/08
 227/130
 2014/0175143 A1 6/2014 Vanstaen et al.
 2017/0144285 A1* 5/2017 Shea B25C 1/18
 2017/0343211 A1* 11/2017 Crawford B25C 1/04
 2020/0262042 A1* 8/2020 Shea B25C 1/18

OTHER PUBLICATIONS

Yagid, Rob, "Cordless finish nailer", HowItWorks, The Taunton Press, Inc. Jun./Jul. 2011, (2 pages).
 ECKO MultiCell, ECKO Fastening Systems, Available prior to May 27, 2016, (4 pages).
 ECKO FuelCell Cordless Fastening System Images, Available prior to May 27, 2016 (3 pages).
 International Search Report and Written Opinion from International Application No. PCT/US2016/062529, dated Mar. 21, 2017 (11 pages).

* cited by examiner

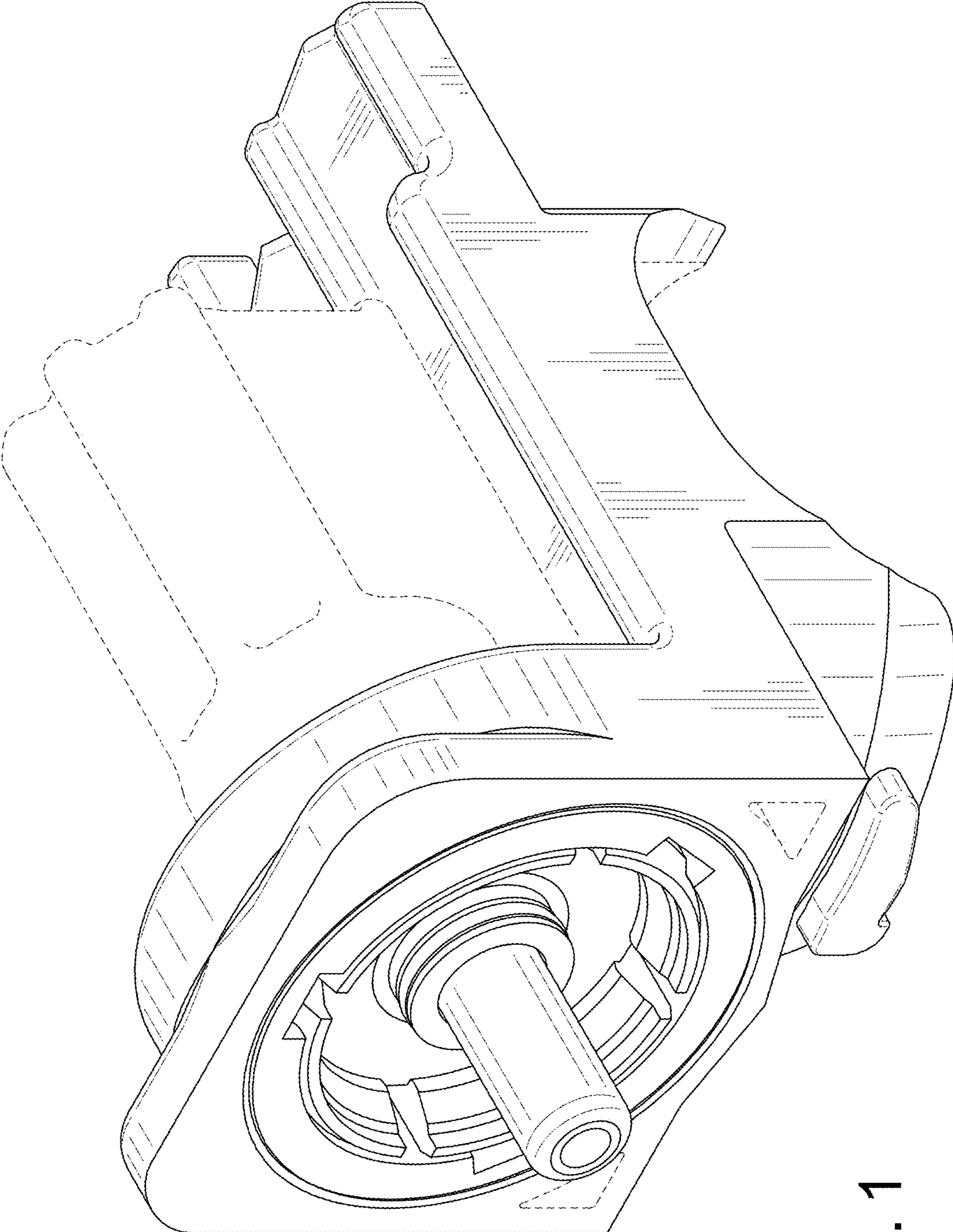


FIG. 1

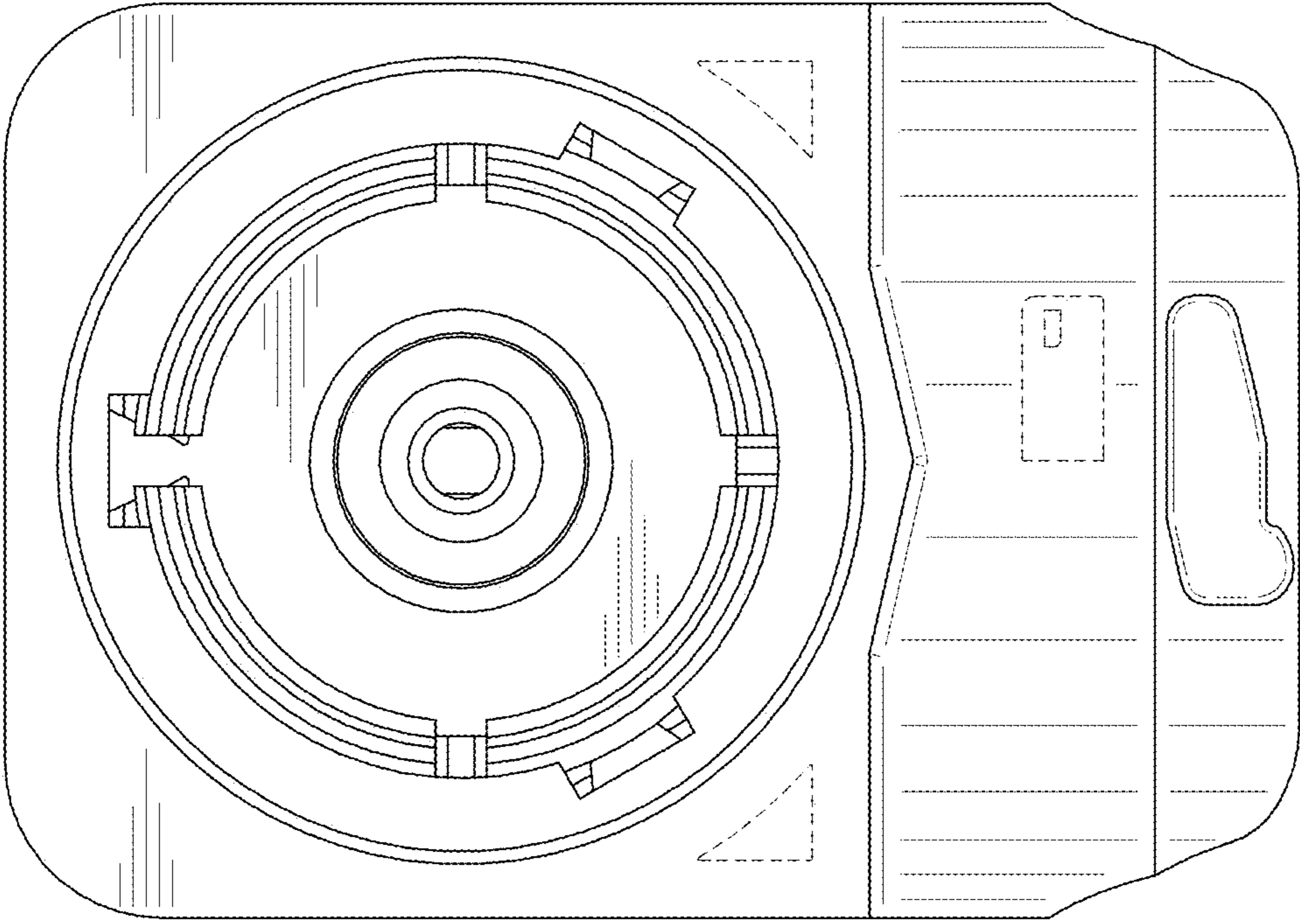


FIG. 2

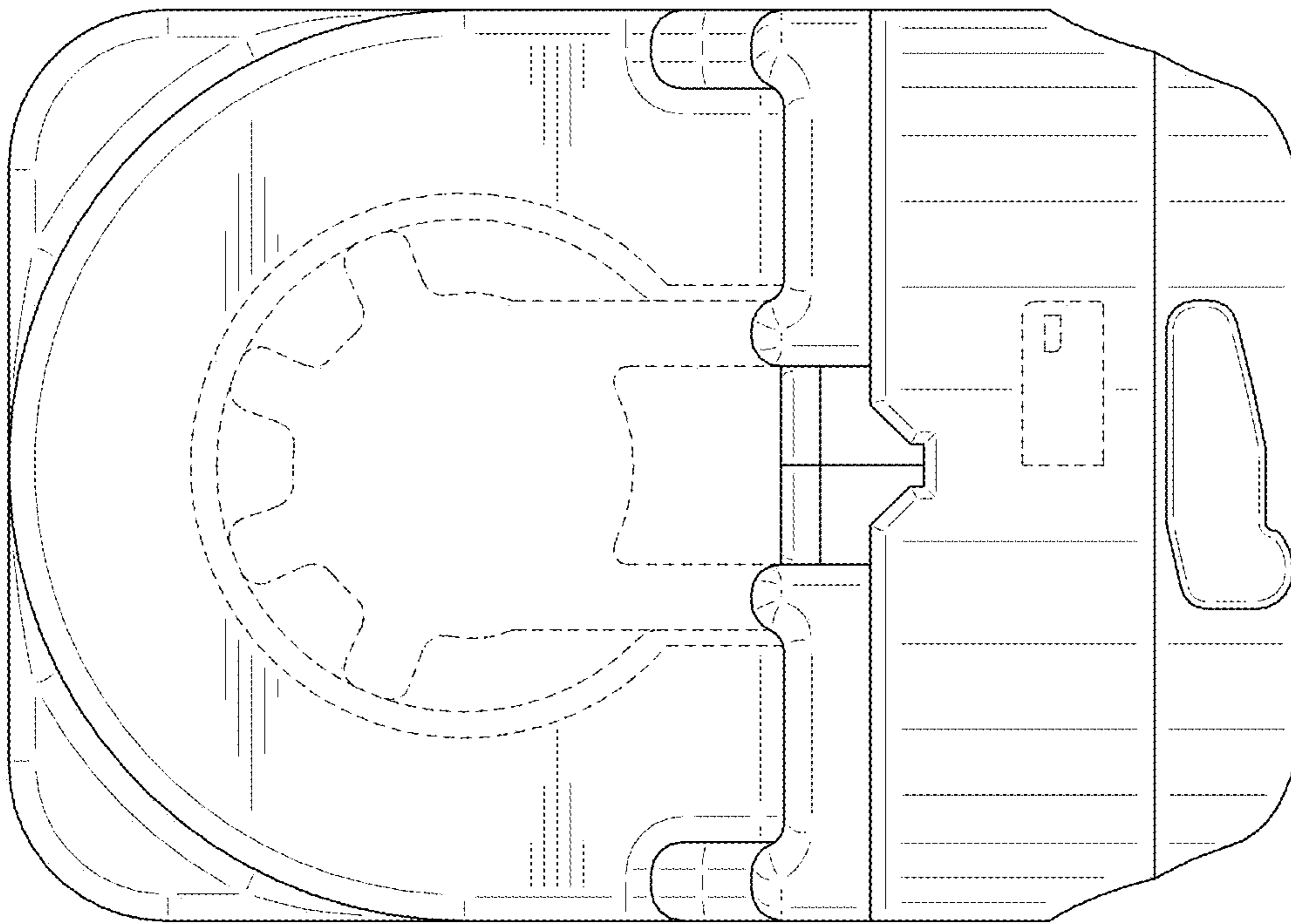


FIG. 3

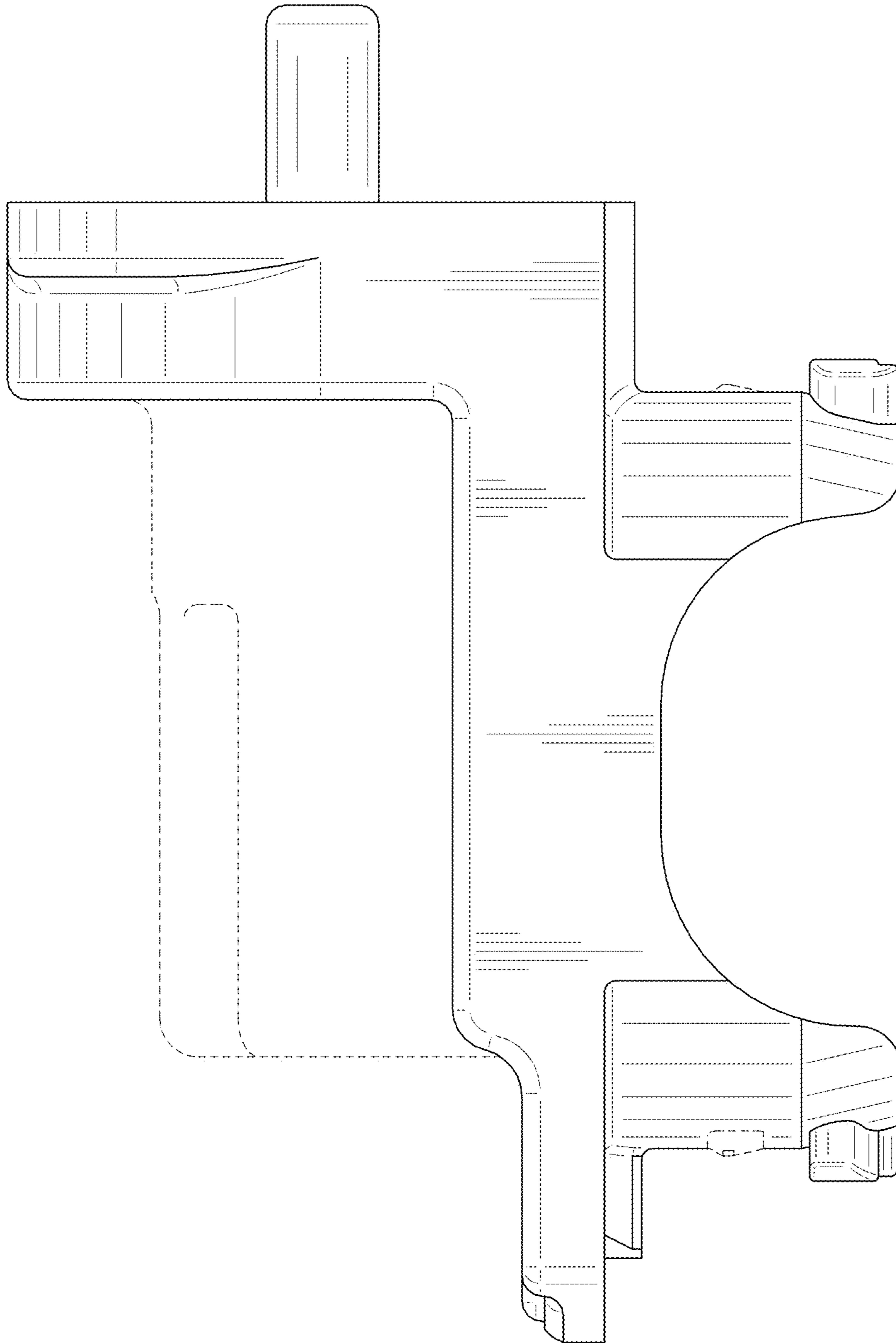


FIG. 4

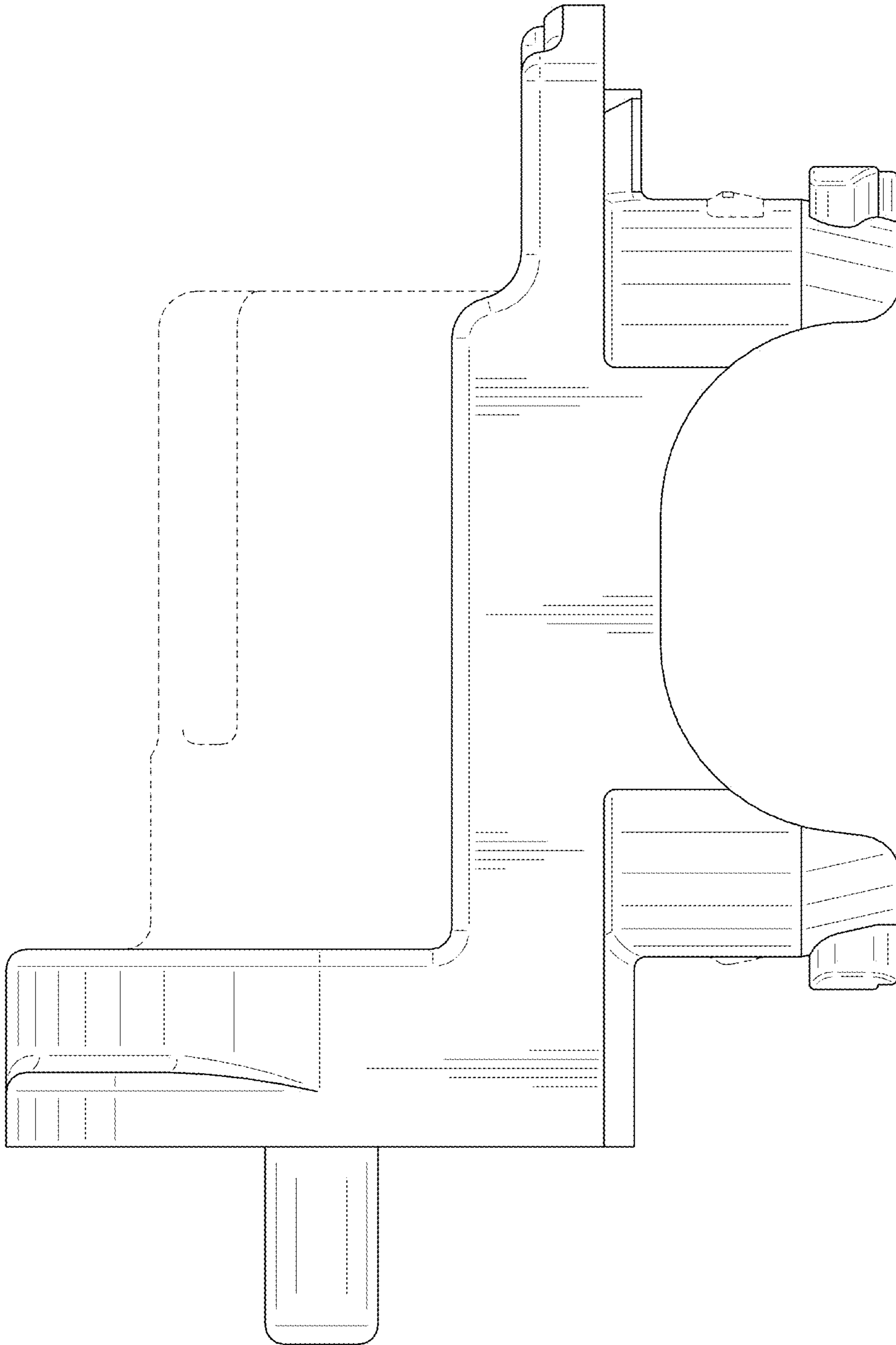


FIG. 5

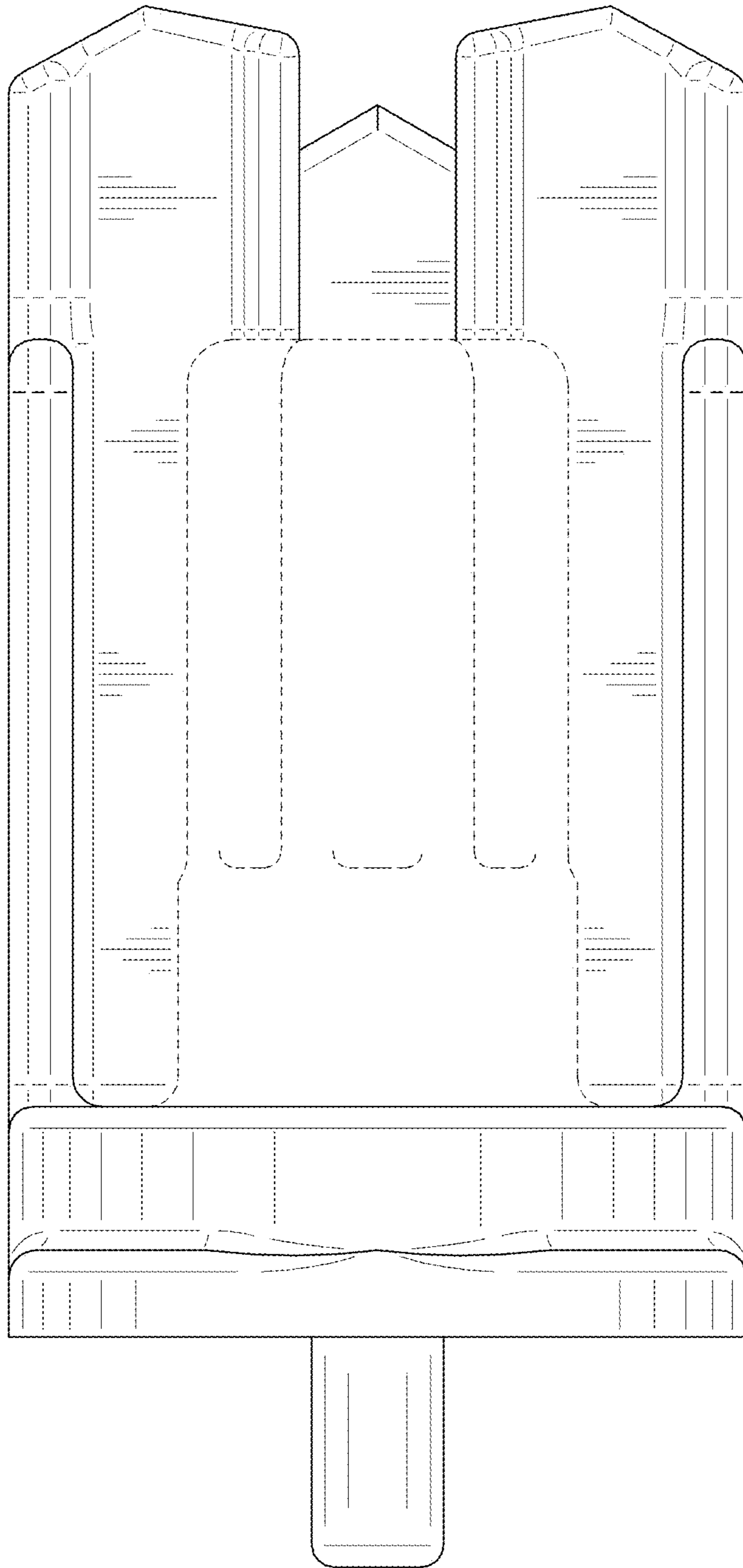


FIG. 6

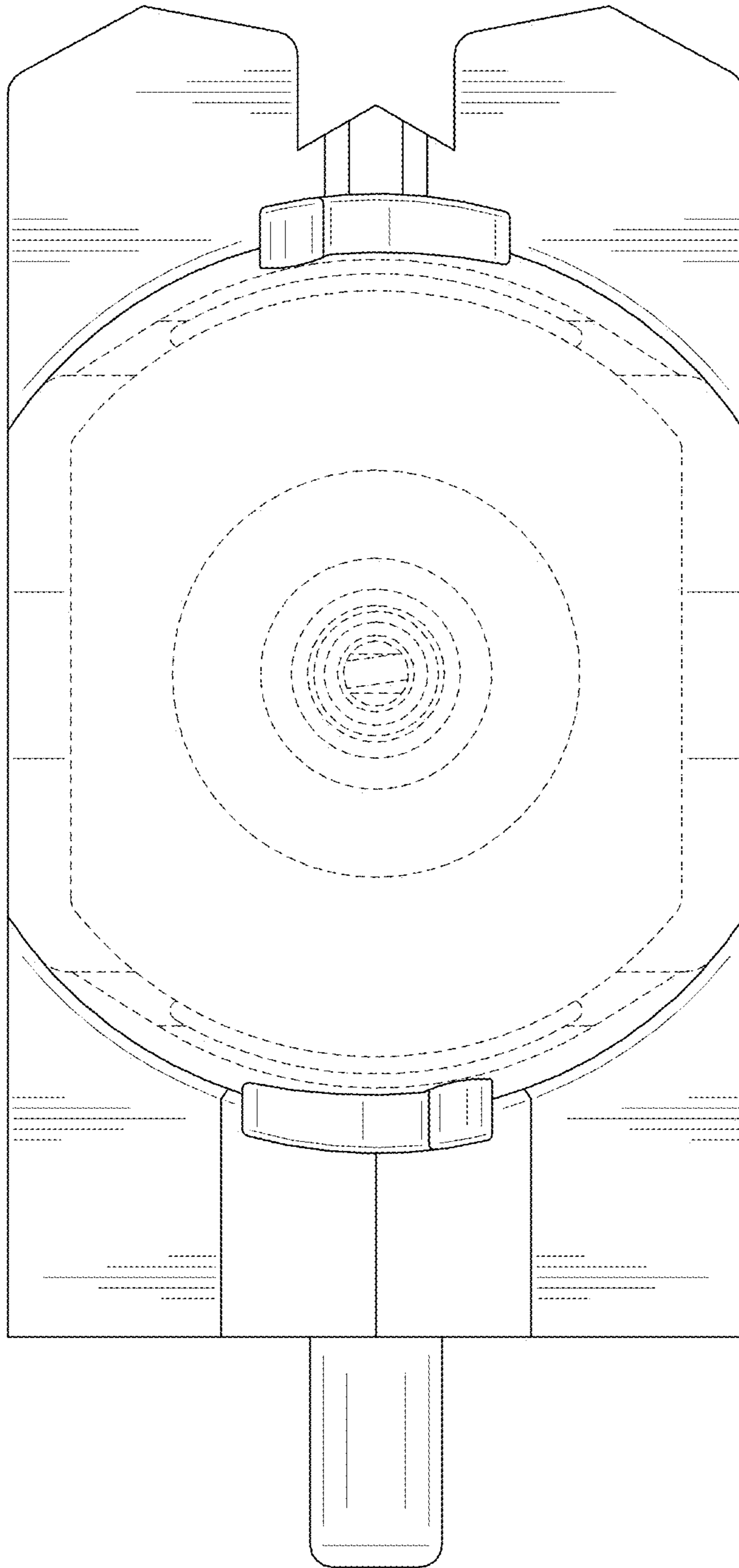


FIG. 7