



US00D910716S

(12) **United States Design Patent**
Bink et al.

(10) **Patent No.:** **US D910,716 S**

(45) **Date of Patent:** **** Feb. 16, 2021**

(54) **THROTTLE BODY**

(71) Applicant: **Kohler Co.**, Kohler, WI (US)

(72) Inventors: **Benjamin J. Bink**, St. Cloud, WI (US);
Alexander A. Yosick, Howards Grove,
WI (US); **Ondrej Tomek**, Mequon, WI
(US); **Pezaan S. Patrawala**, Roseville,
MN (US); **Jacob Liebzeit**, Cleveland,
WI (US); **Michael J. Tursky**, Fond du
Lac, WI (US); **Bruce M. Lefeber**,
Plymouth, WI (US)

(73) Assignee: **KOHLER CO.**, Kohler, WI (US)

(**) Term: **15 Years**

(21) Appl. No.: **29/621,381**

(22) Filed: **Oct. 6, 2017**

(51) **LOC (13) Cl.** **15-01**

(52) **U.S. Cl.**
USPC **D15/5**

(58) **Field of Classification Search**
USPC D15/1-7, 9, 9.1, 9.2; D23/224, 229, 233,
D23/235
CPC F02D 9/105; F02D 9/1035; F02M 51/005;
F02M 63/0056; F02M 63/02; F02M
69/043

See application file for complete search history.

(56) **References Cited**

U.S. PATENT DOCUMENTS

- 4,224,908 A * 9/1980 Bier F02D 35/0053
123/438
- 4,230,645 A * 10/1980 Dodson 17/40
- 4,246,875 A * 1/1981 Bier F02M 7/24
123/438
- 4,294,282 A * 10/1981 McCabe F02D 35/0053
123/438

- 4,306,441 A * 12/1981 Dodson B23P 15/00
72/327
- 4,318,214 A * 3/1982 Dodson B22C 9/101
164/113
- 4,325,339 A * 4/1982 Bier F02D 35/0053
123/437
- 4,357,283 A * 11/1982 Manning F02M 11/02
261/23.2
- 4,434,762 A * 3/1984 McCabe F02M 3/09
123/438
- 4,434,763 A * 3/1984 McCabe F02M 3/09
123/699

(Continued)

Primary Examiner — Michael C Stout

Assistant Examiner — Fitzgerald L Butac

(74) *Attorney, Agent, or Firm* — The Belles Group, P.C.

(57) **CLAIM**

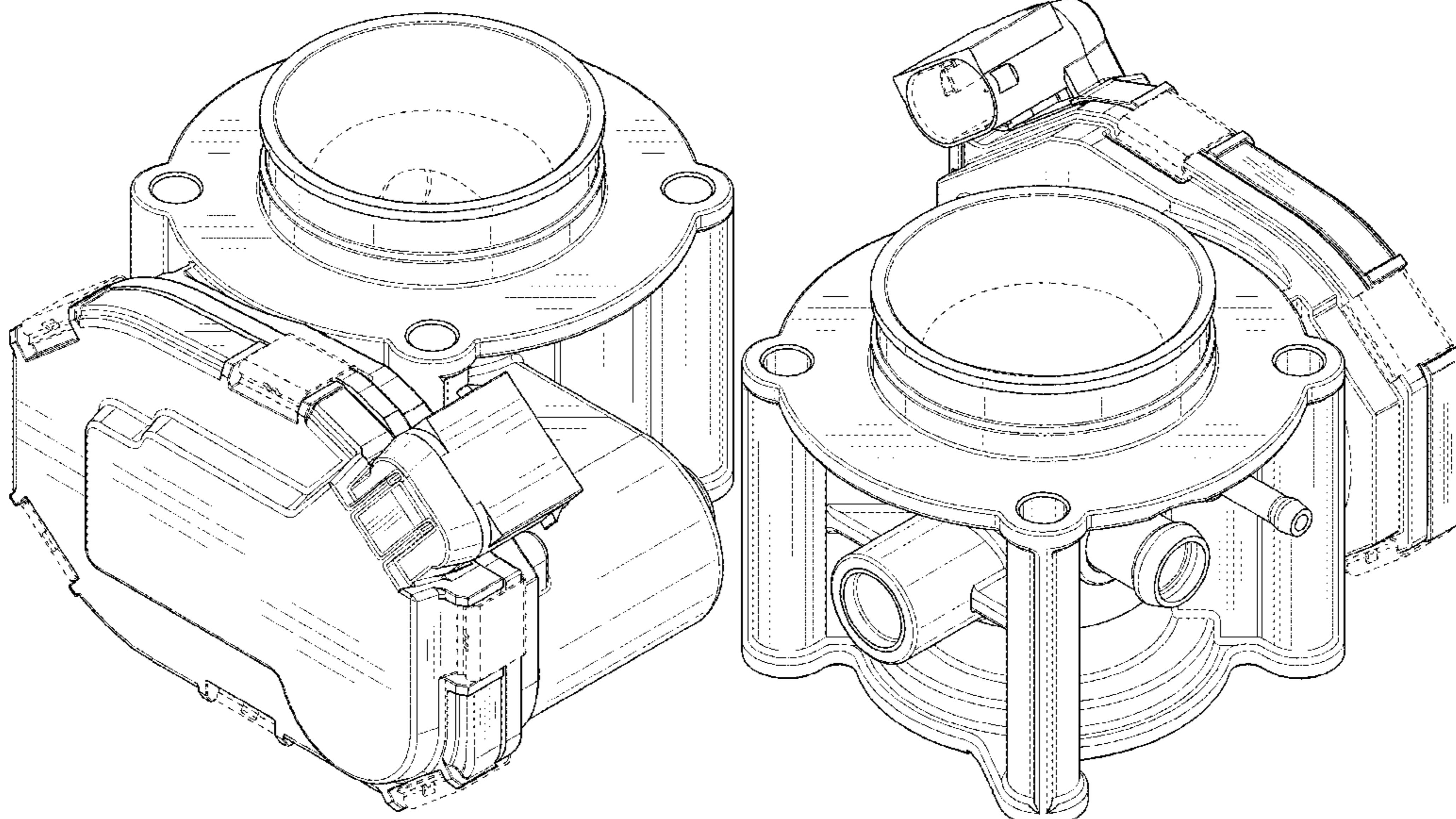
The ornamental design for a throttle body, as shown and described.

DESCRIPTION

FIG. 1 is a front-right elevated view of a throttle body according to an embodiment of the new design; FIG. 2 is a front-left elevated view thereof; FIG. 3 is a front-right depressed view thereof; FIG. 4 is a front-left depressed view thereof; FIG. 5 is a rear-left elevated view thereof; FIG. 6 is a rear-right elevated view thereof; FIG. 7 is a rear-left depressed view thereof; FIG. 8 is a rear-right depressed view thereof; FIG. 9 is a front plan view thereof; FIG. 10 is a rear plan view thereof; FIG. 11 is a right-side plan view thereof; FIG. 12 is a left-side plan view thereof; FIG. 13 is a top plan view thereof; and, FIG. 14 is a bottom plan view thereof.

All broken lines shown in the drawings are for environmental purposes only and form no part of the claimed design.

1 Claim, 12 Drawing Sheets



(56)

References Cited

U.S. PATENT DOCUMENTS

4,556,032	A *	12/1985	Miller	F02D 41/02	D645,058	S *	9/2011	Benoit	D15/9
					123/437	D648,746	S *	11/2011	Tipton	D15/6
4,949,983	A *	8/1990	Miller	F16J 15/56	D655,311	S *	3/2012	Gieske	D15/6
					277/505	D659,714	S *	5/2012	Gieske	D15/5
5,261,382	A *	11/1993	Nikolai	F02D 41/1473	D721,389	S *	1/2015	Gieske	D15/6
					123/488	9,115,671	B2 *	8/2015	Benoit	F02M 17/34
D447,147	S *	8/2001	Grant	D15/6	9,303,578	B2 *	4/2016	Wittkopf	F02D 41/08
6,481,698	B1 *	11/2002	Calvin	F02M 7/08	9,376,997	B1 *	6/2016	Farrell	F02M 69/52
					261/23.2	D760,804	S *	7/2016	Shehan	D15/6
6,874,768	B2 *	4/2005	Grant	F02M 9/00	D808,435	S *	1/2018	Shehan	D15/5
					261/70	D810,142	S *	2/2018	Shehan	D15/5
D508,496	S *	8/2005	Grant	D15/6	10,012,197	B2 *	7/2018	Flynn	F02M 61/1826
D543,555	S *	5/2007	Braswell	D15/6	D826,280	S *	8/2018	Koo	D15/6
D555,668	S *	11/2007	Benoit	D15/6	2008/0230034	A1 *	9/2008	Dunn	F02D 9/1065
D578,550	S *	10/2008	Benoit	D15/6						123/336
7,533,661	B2 *	5/2009	Baasch	F02M 25/00	2009/0013955	A1 *	1/2009	Sheridan	F02M 11/02
					123/585						123/184.48
7,591,245	B2 *	9/2009	Baasch	F02D 11/106	2013/0054121	A1 *	2/2013	Casoni	F02D 41/062
					123/399						701/104
						2013/0298871	A1 *	11/2013	Bennett	F02M 35/10216
											123/445
						2018/0119656	A1 *	5/2018	Shehan	F02D 41/30

* cited by examiner

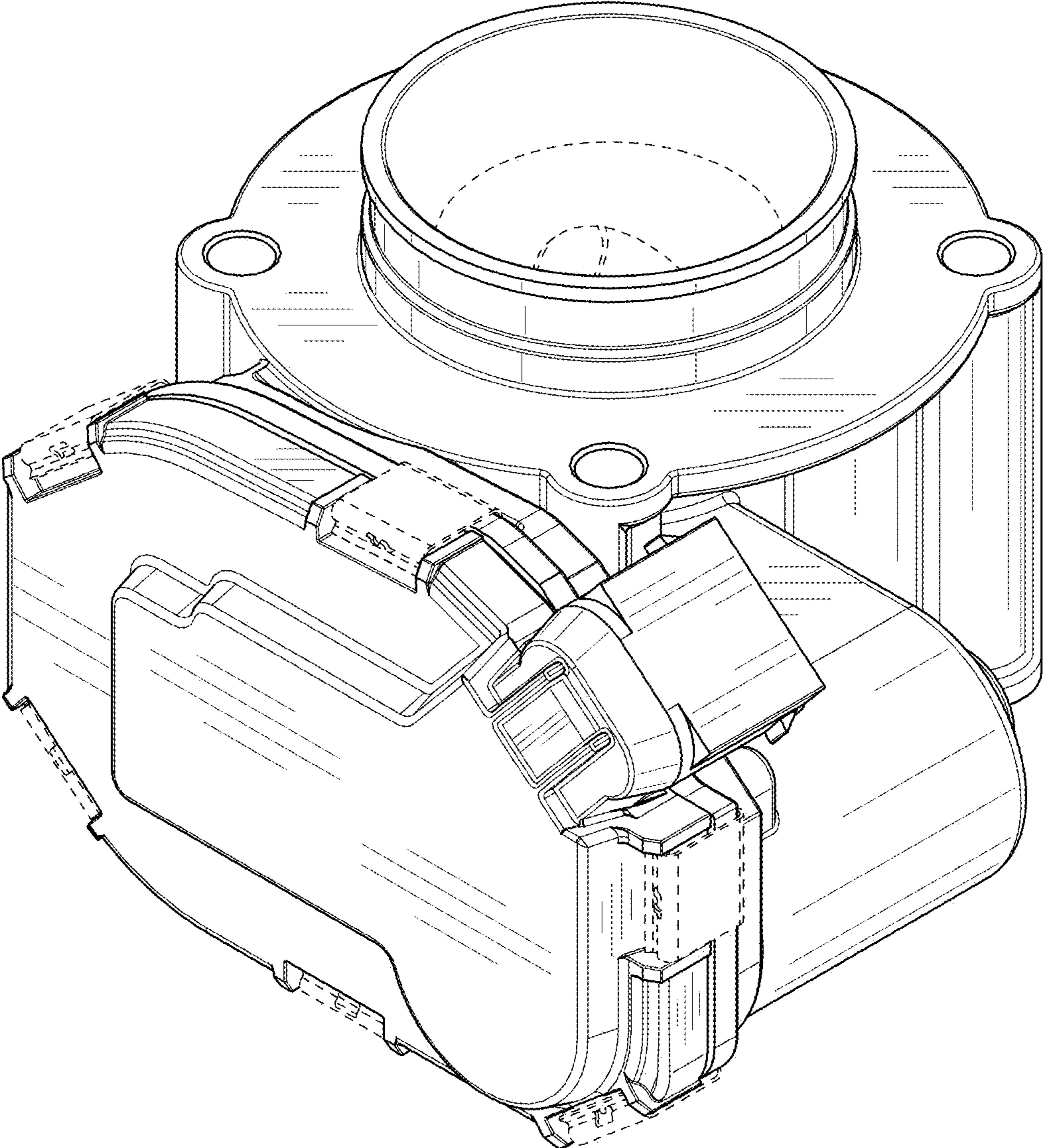


FIG. 1

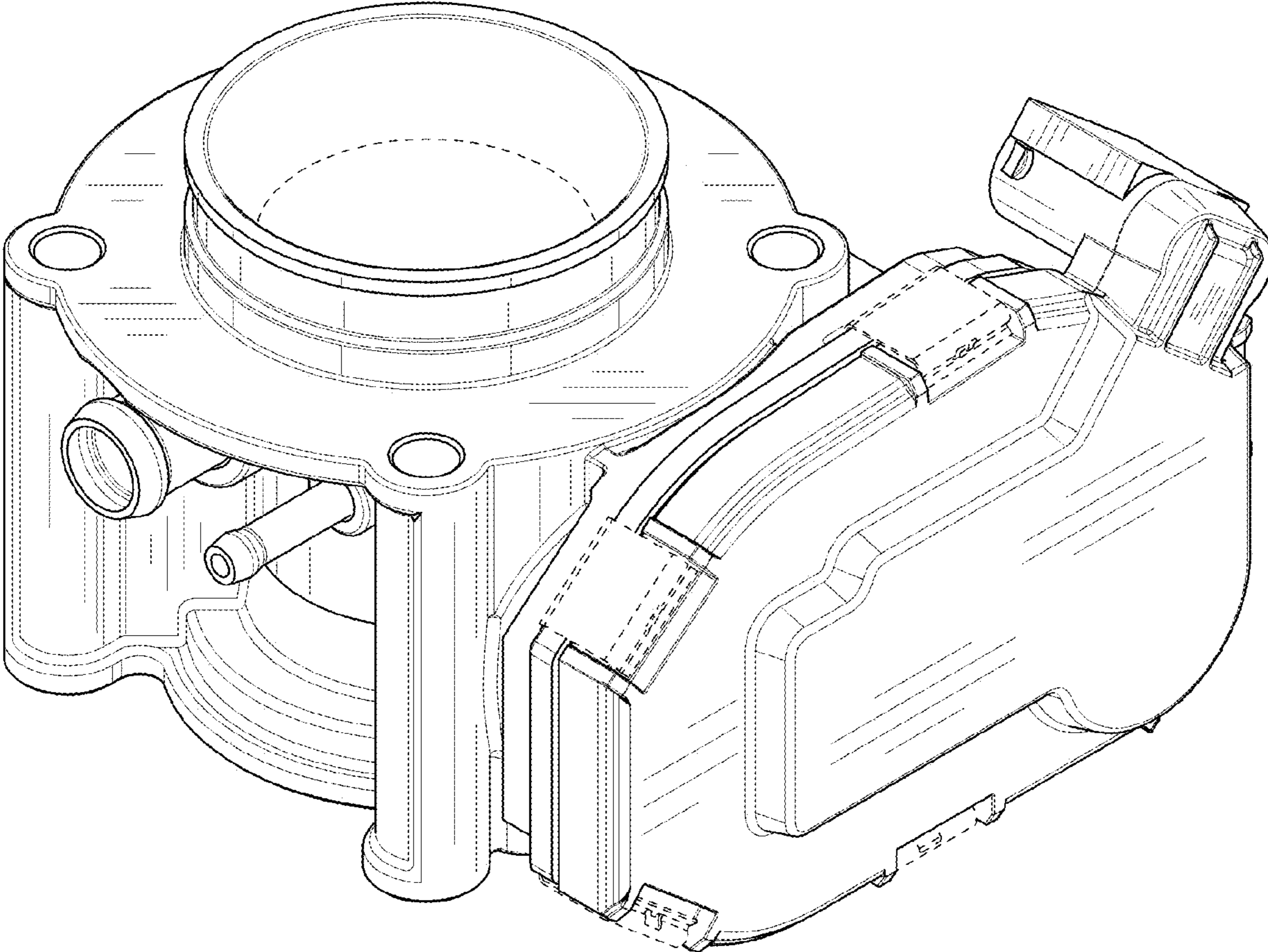


FIG. 2

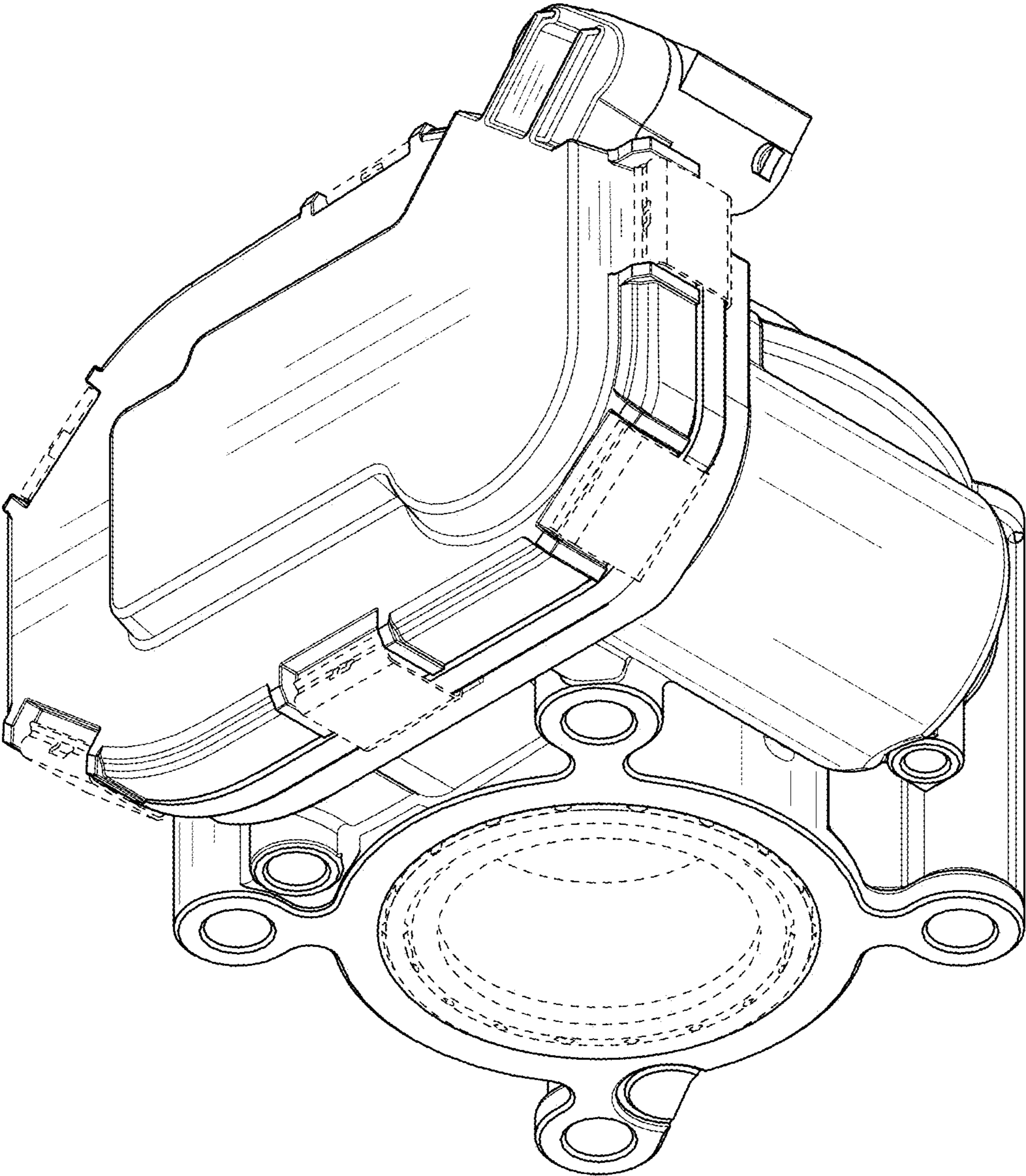


FIG. 3

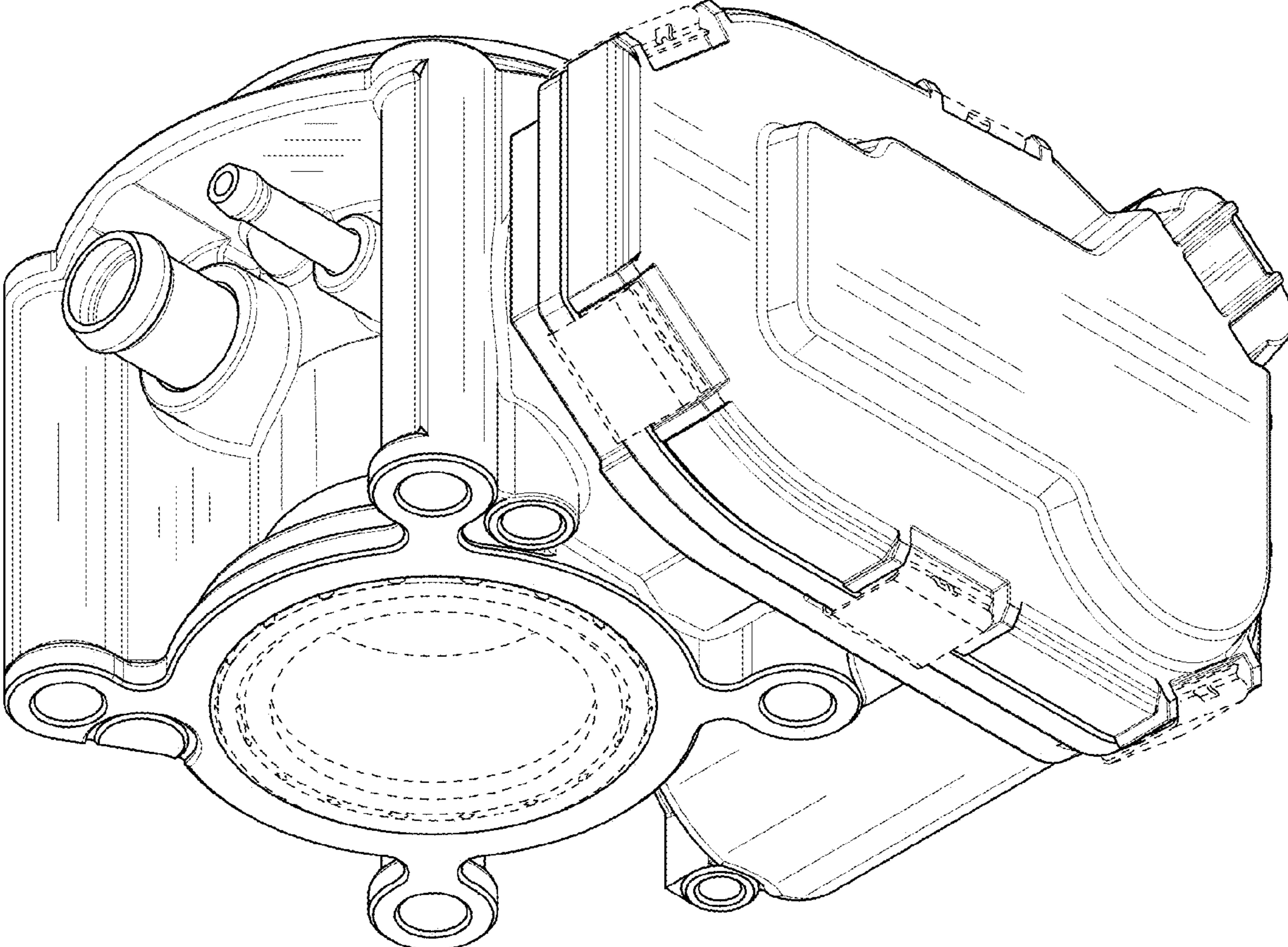


FIG. 4

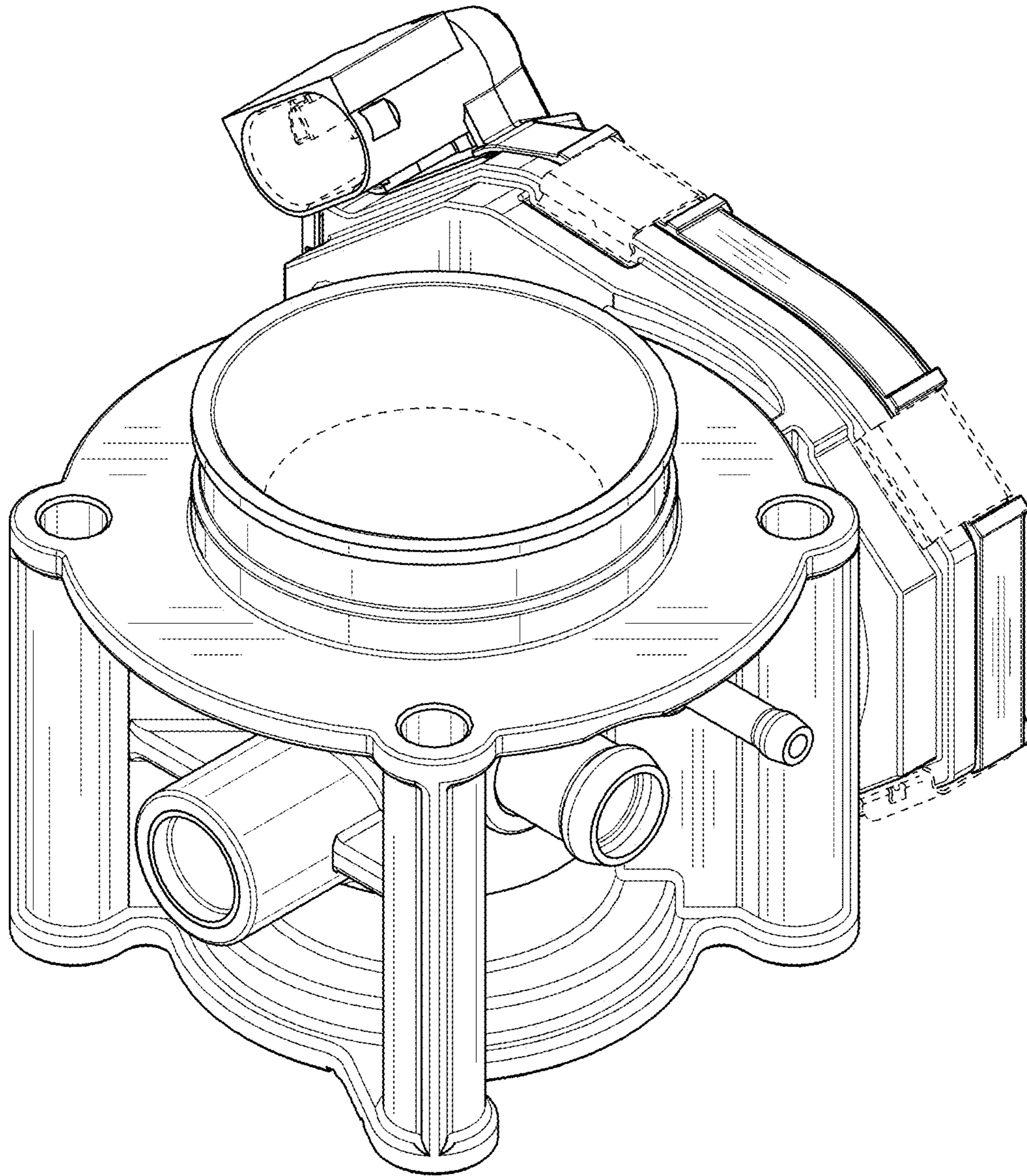


FIG. 5

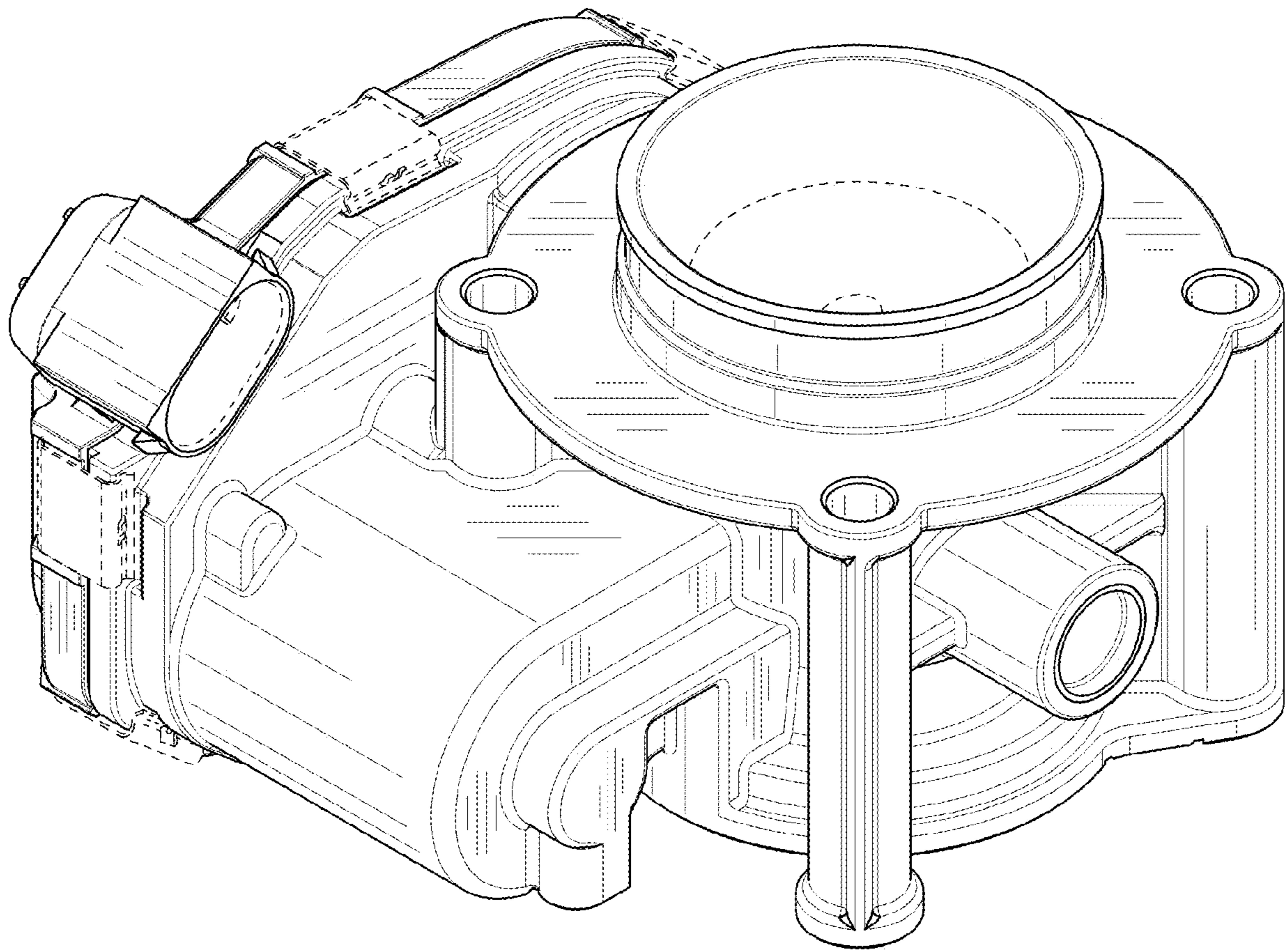


FIG. 6

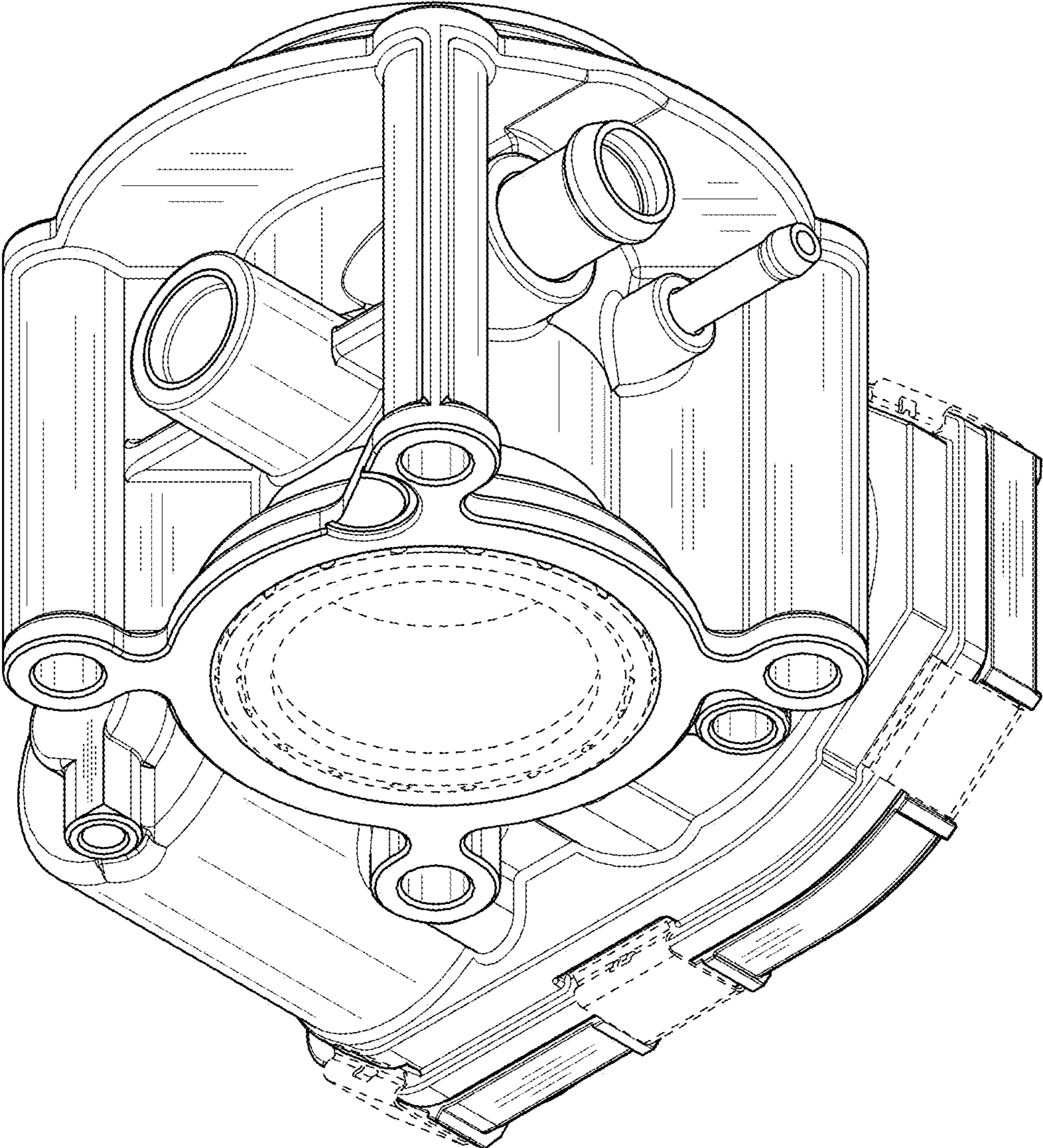


FIG. 7

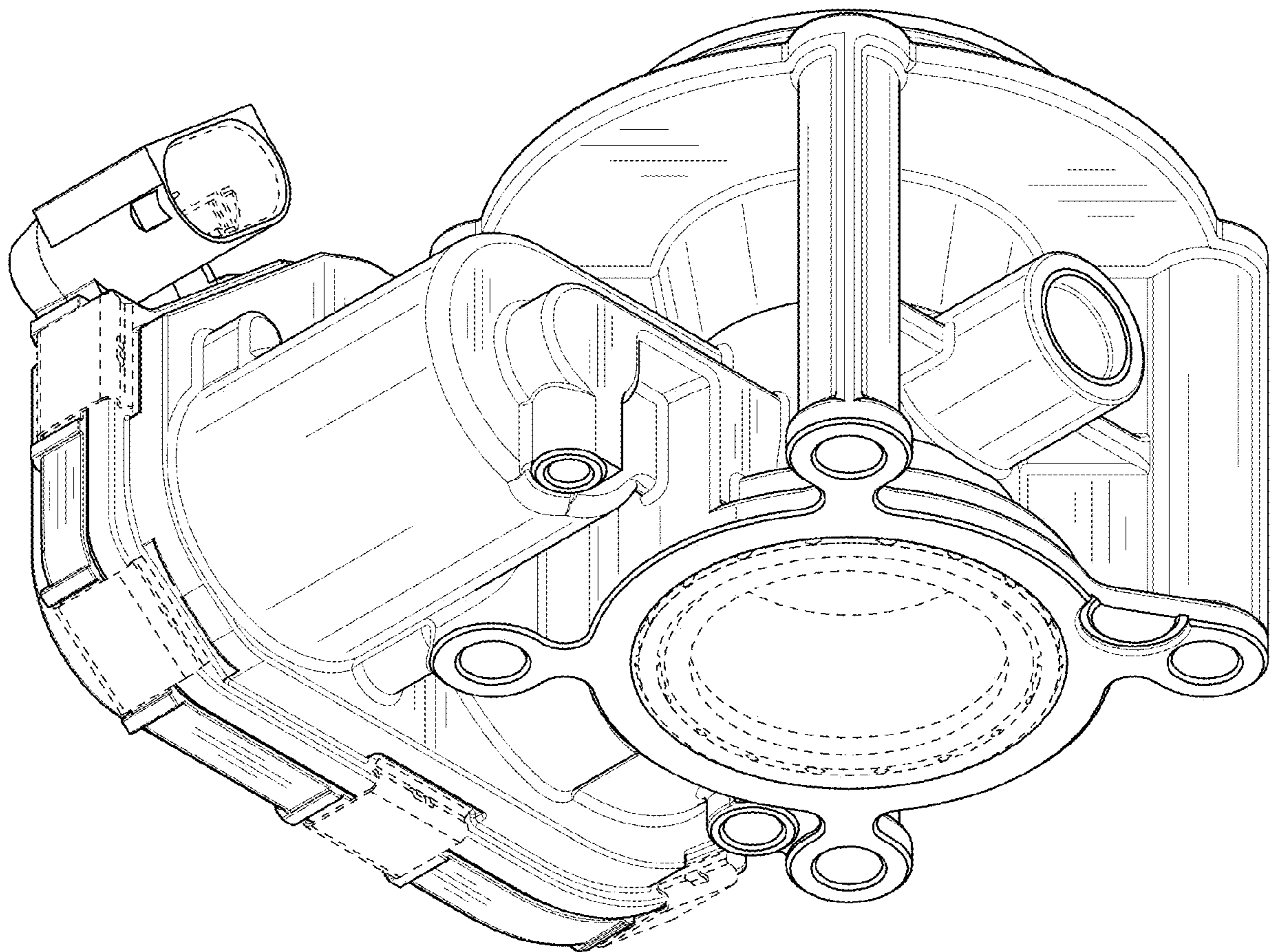


FIG. 8

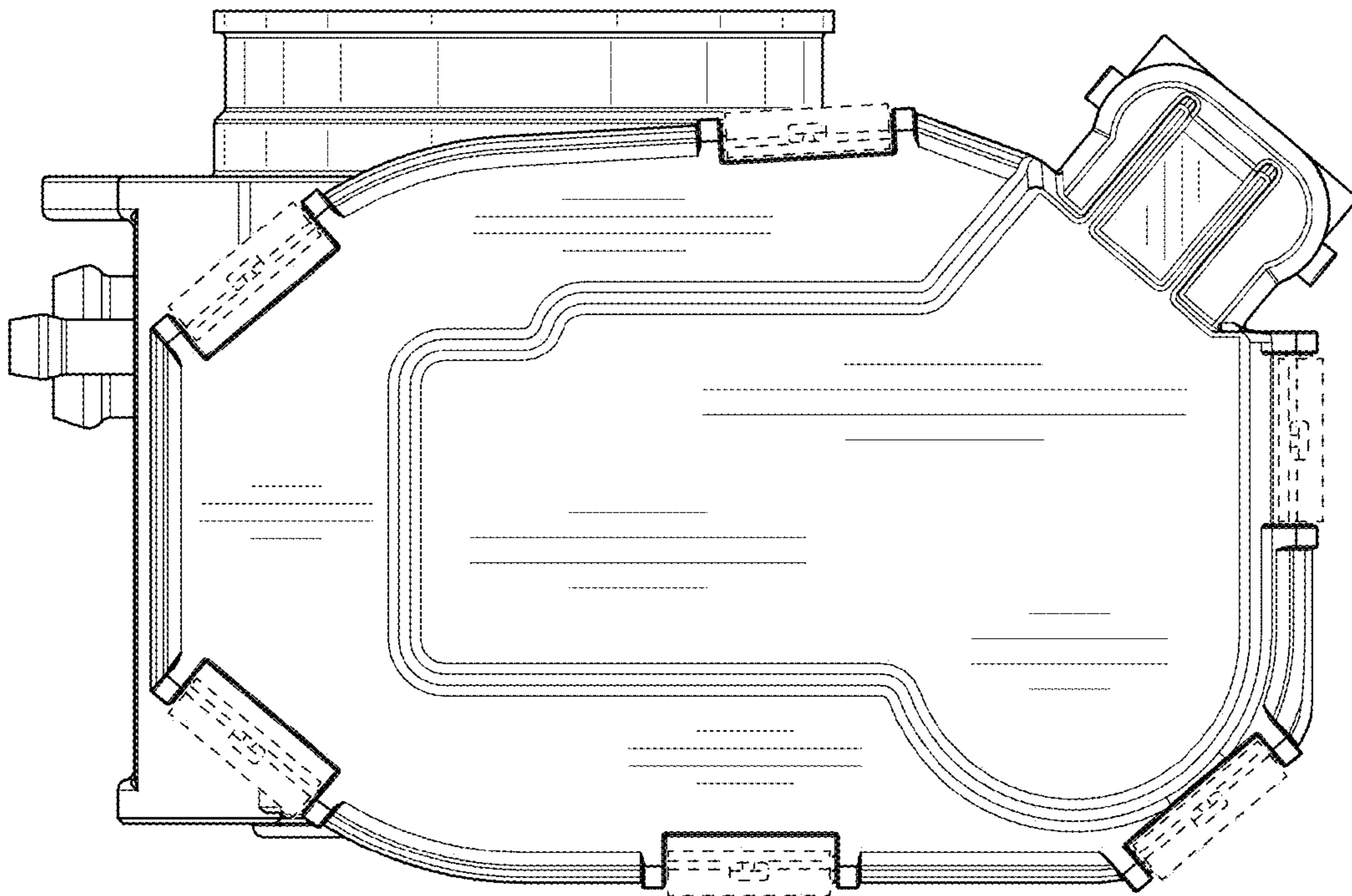


FIG. 9

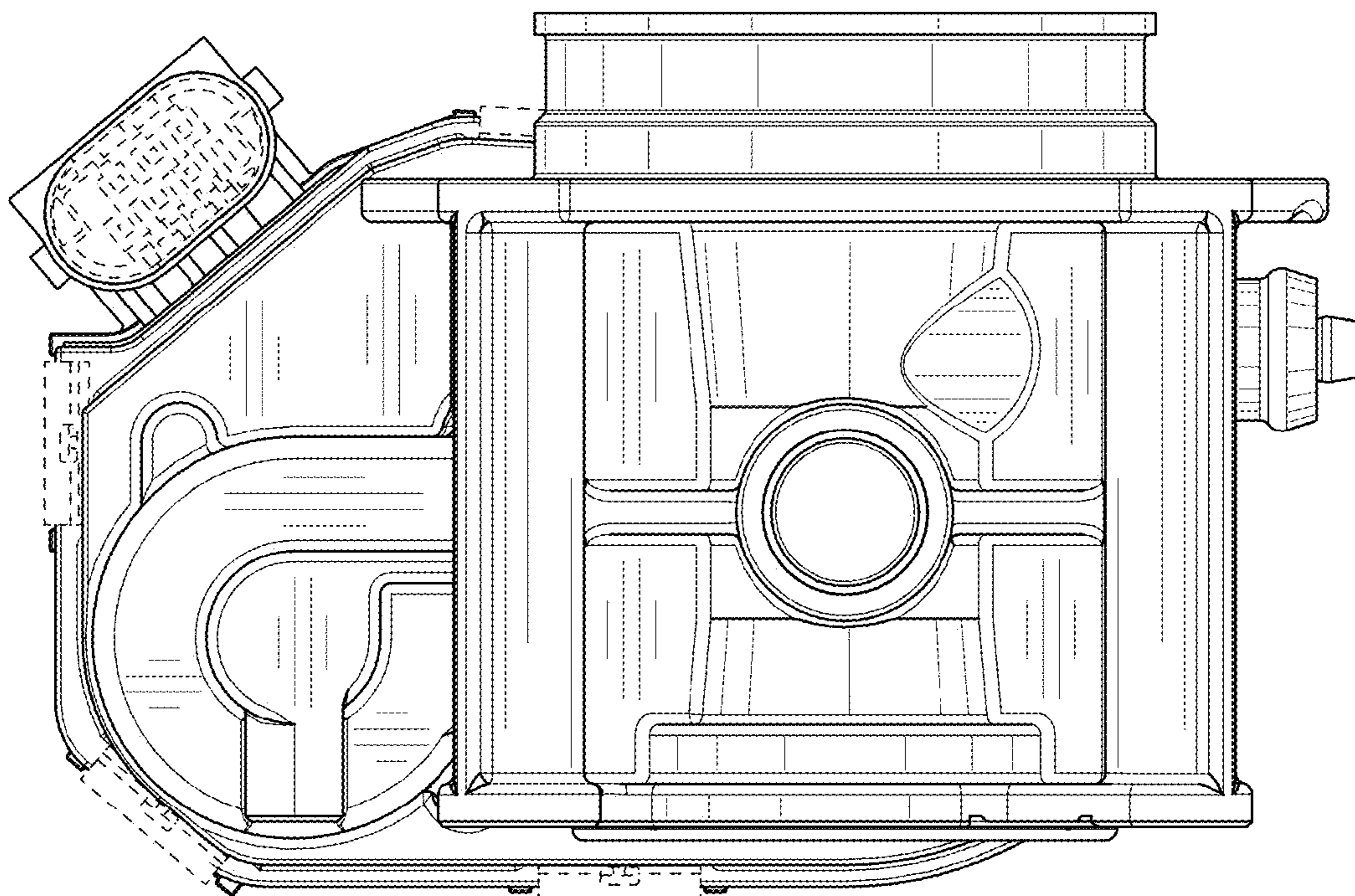


FIG. 10

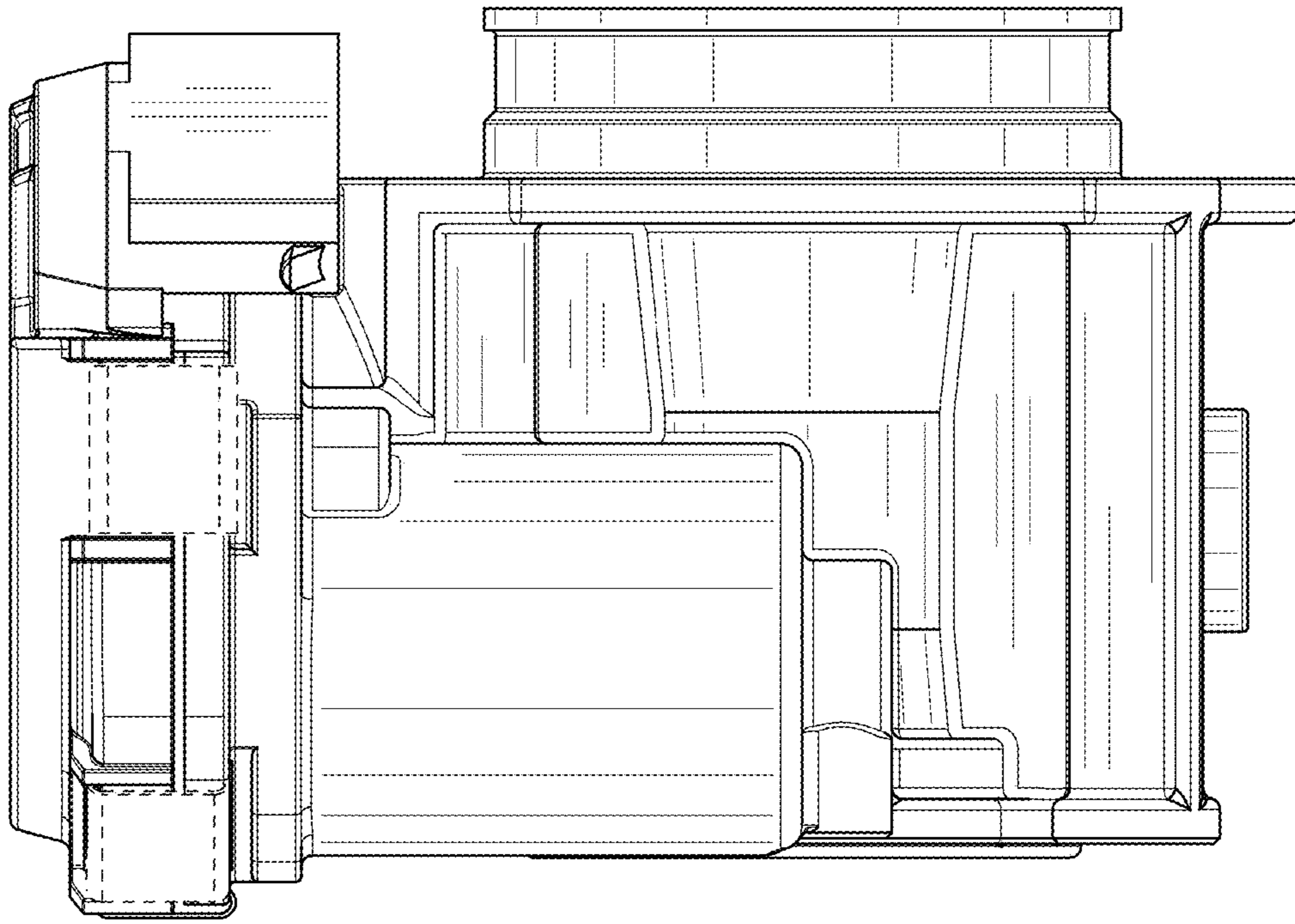


FIG. 11

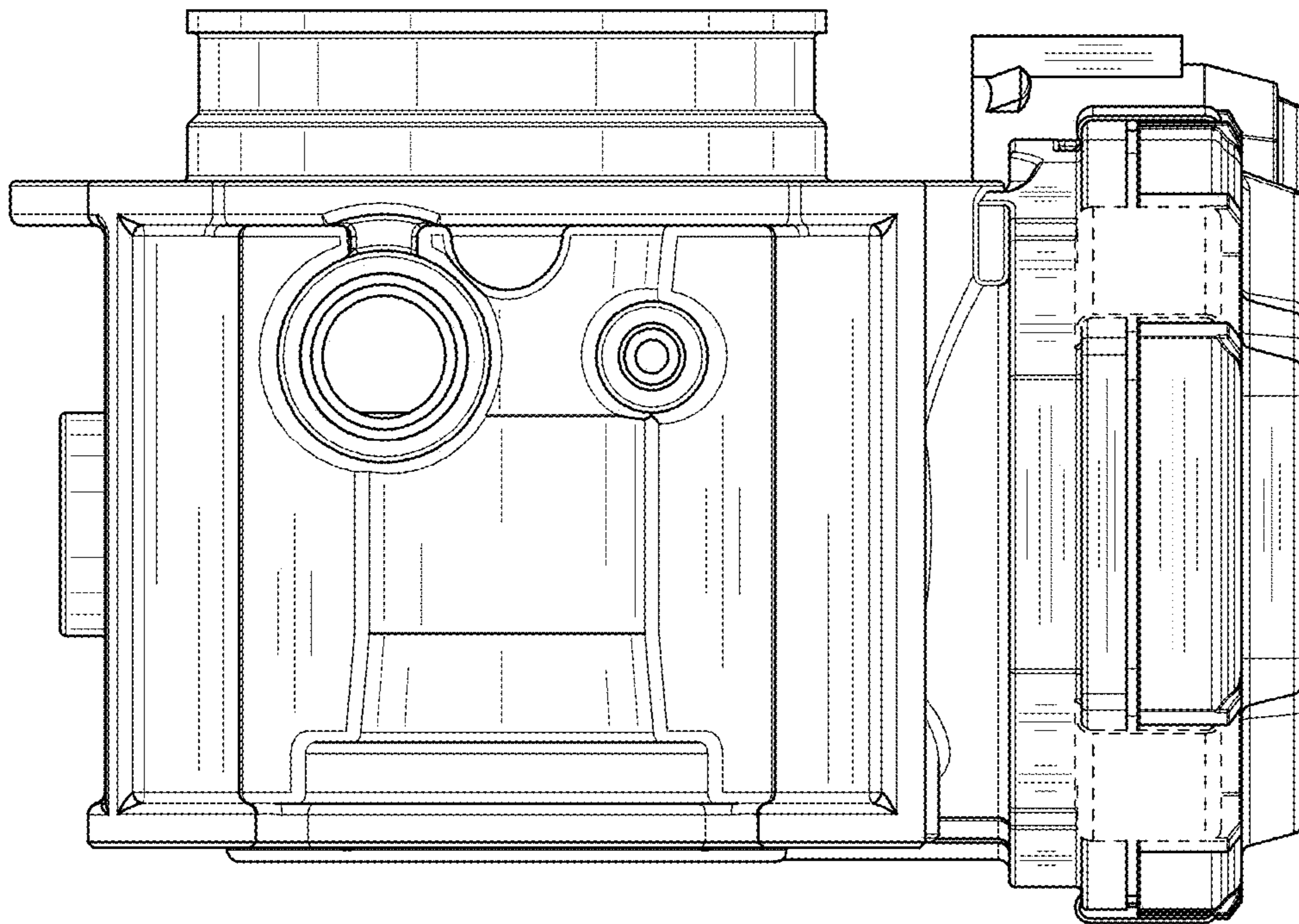


FIG. 12

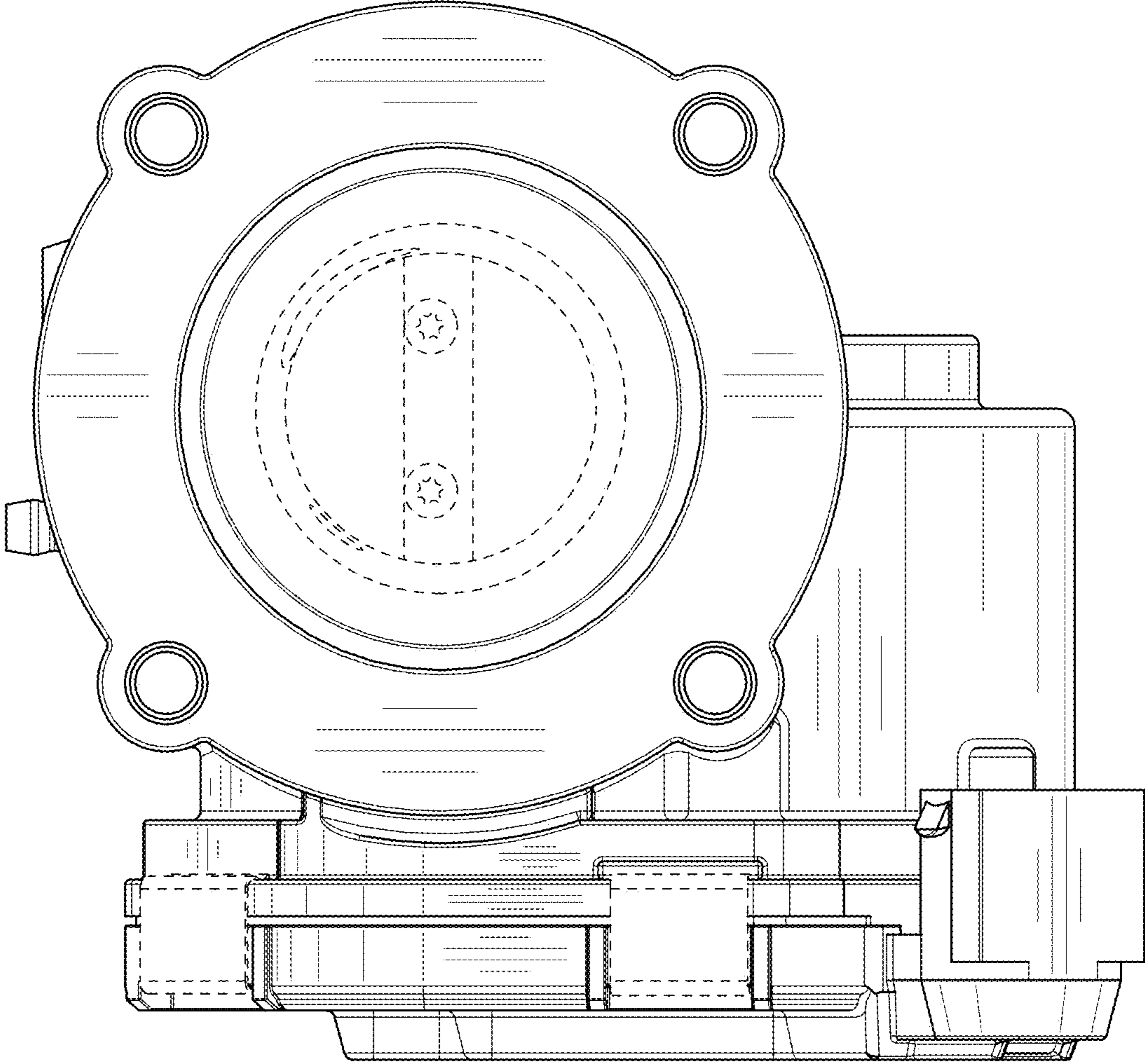


FIG. 13

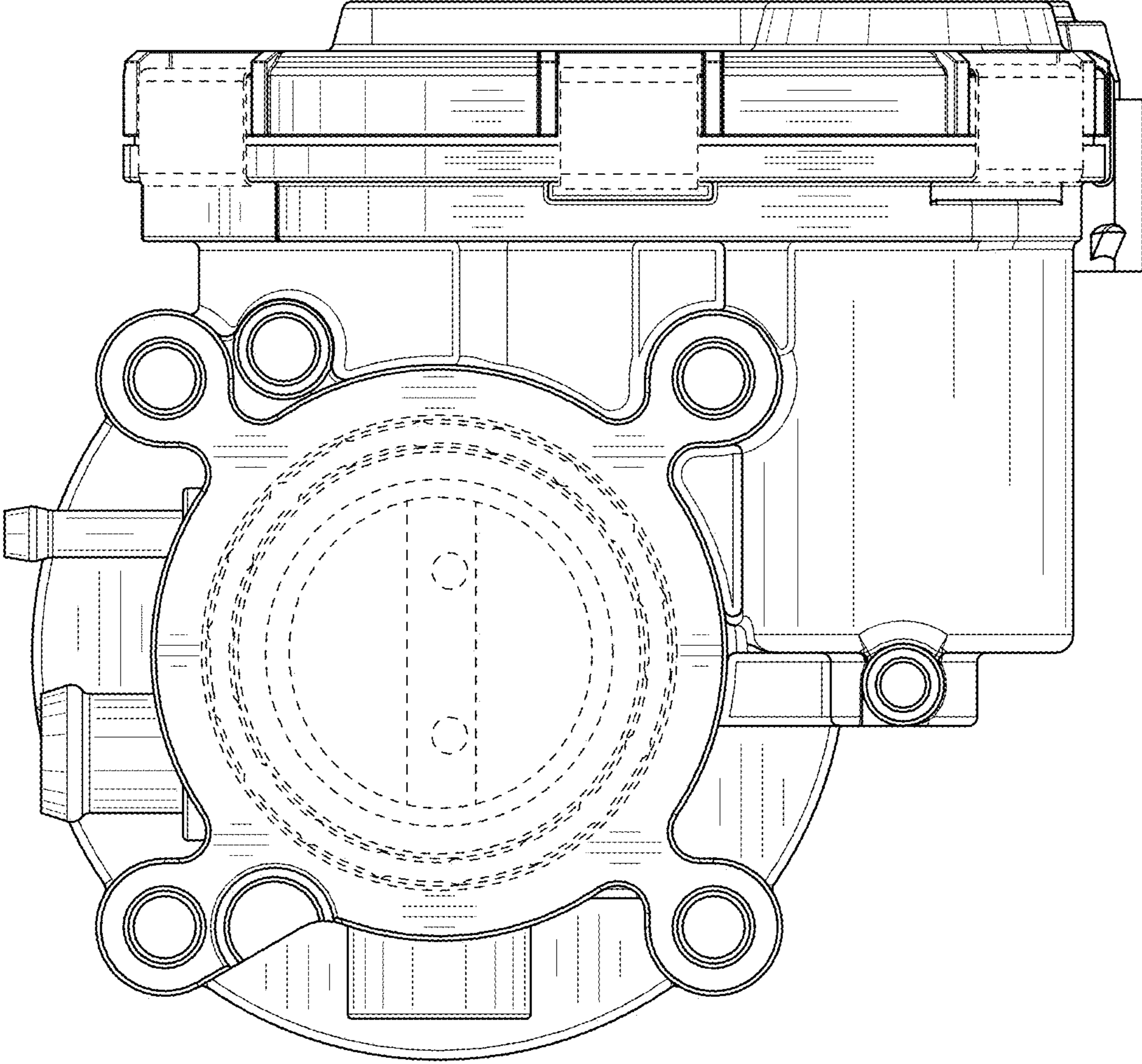


FIG. 14