



US00D910715S

(12) **United States Design Patent** (10) **Patent No.:** **US D910,715 S**
Li (45) **Date of Patent:** **** Feb. 16, 2021**

(54) **NETWORK HD HARD DISK PLAYER**
(71) Applicant: **SHENZHEN AZW TECHNOLOGY CO., LTD**, Shenzhen (CN)
(72) Inventor: **Jun Li**, Shenzhen (CN)
(**) Term: **15 Years**
(21) Appl. No.: **29/737,210**
(22) Filed: **Jun. 7, 2020**
(51) **LOC (13) Cl.** **14-03**
(52) **U.S. Cl.**
USPC **D14/496**; D14/203.1; D14/364
(58) **Field of Classification Search**
USPC D14/496, 498-506, 125, 168, 188, 203.1,
D14/349, 363-369; 369/1, 2, 6-12, 75.11
CPC H04L 12/00; H04W 88/00; H04W 88/02;
H04W 88/08; H04W 88/12; H04B 1/38;
H04N 5/64
See application file for complete search history.

D586,824 S 2/2009 Yamakawa
D609,704 S * 2/2010 Sin D14/363
D615,968 S * 5/2010 Herbst D14/349
D617,342 S * 6/2010 Kawano D14/505
D695,289 S * 12/2013 Yamazaki D14/364
D718,271 S * 11/2014 McTague D14/496
D726,223 S * 4/2015 Guerrero D14/496
D784,939 S * 4/2017 Luo D14/125

* cited by examiner

Primary Examiner — Sandra L Morris

(74) *Attorney, Agent, or Firm* — Rumit Ranjit Kanakia

(57) **CLAIM**

I claim the ornamental design for a network HD hard disk player, as shown and described.

DESCRIPTION

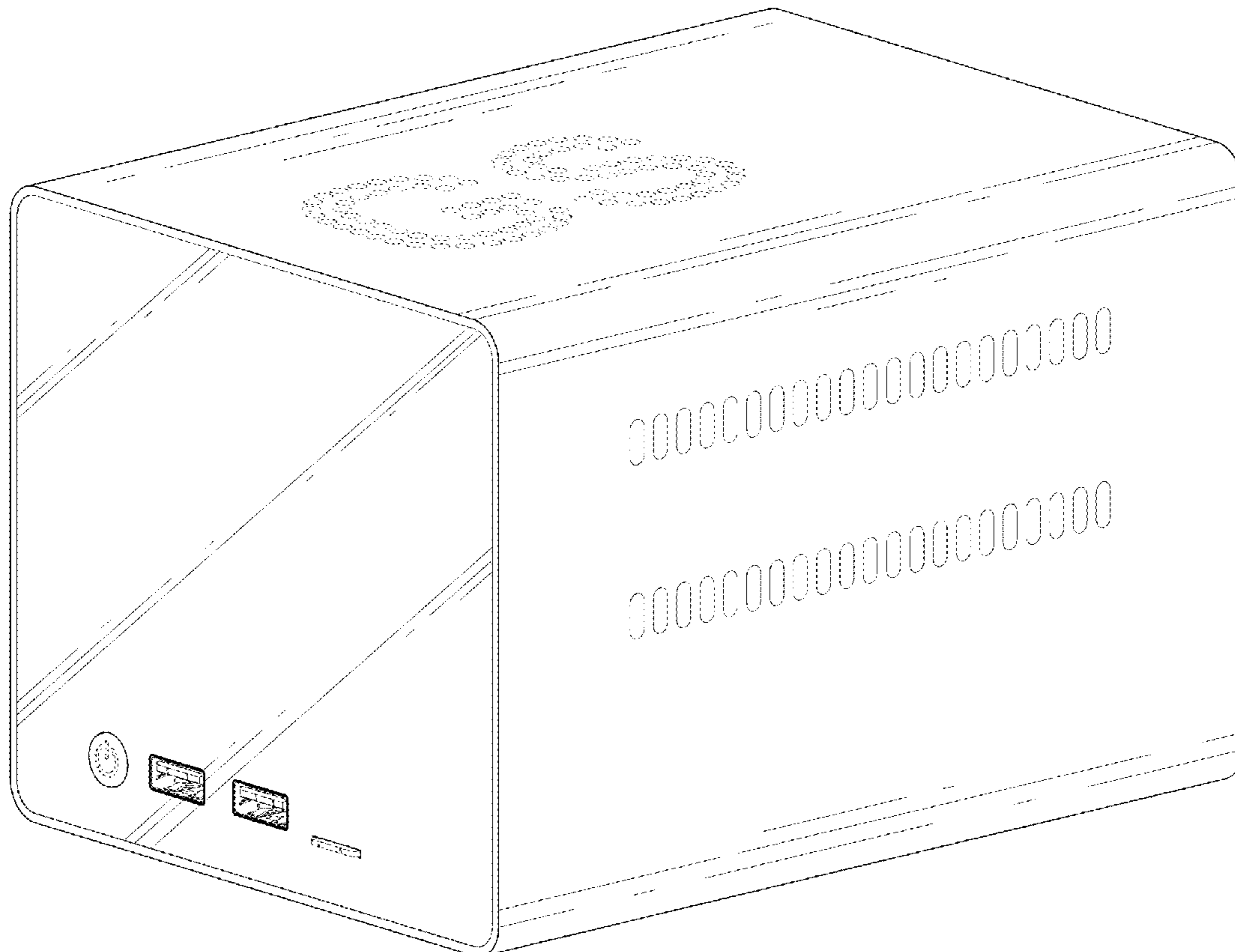
FIG. 1 is a Perspective view of a network HD hard disk player showing my new design;
FIG. 2 is a Front view thereof;
FIG. 3 is a Back view thereof;
FIG. 4 is a Right-side view thereof;
FIG. 5 is a Left-side view thereof;
FIG. 6 is a Top view thereof; and,
FIG. 7 is a Bottom view thereof.
The broken lines are only for environmental purposes and form no part of the claimed design.

1 Claim, 7 Drawing Sheets

(56) **References Cited**

U.S. PATENT DOCUMENTS

D470,119 S 2/2003 Ota
D515,067 S 2/2006 Moriyasu et al.
D524,271 S * 7/2006 Itai D14/506
D551,652 S * 9/2007 Nakamura D14/168
D561,140 S * 2/2008 Hatori D14/505
D571,756 S 6/2008 Naoki et al.



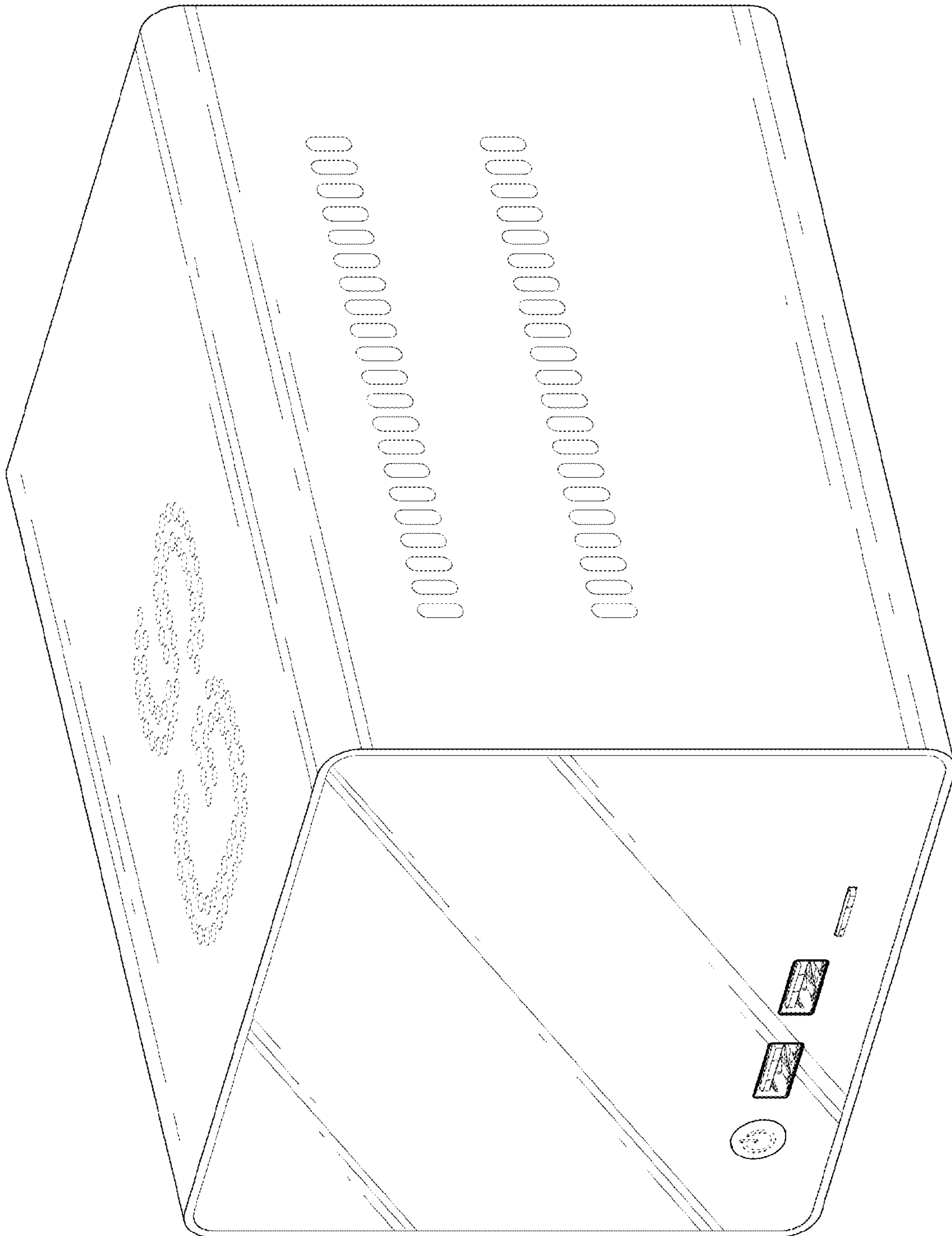


FIG. 1

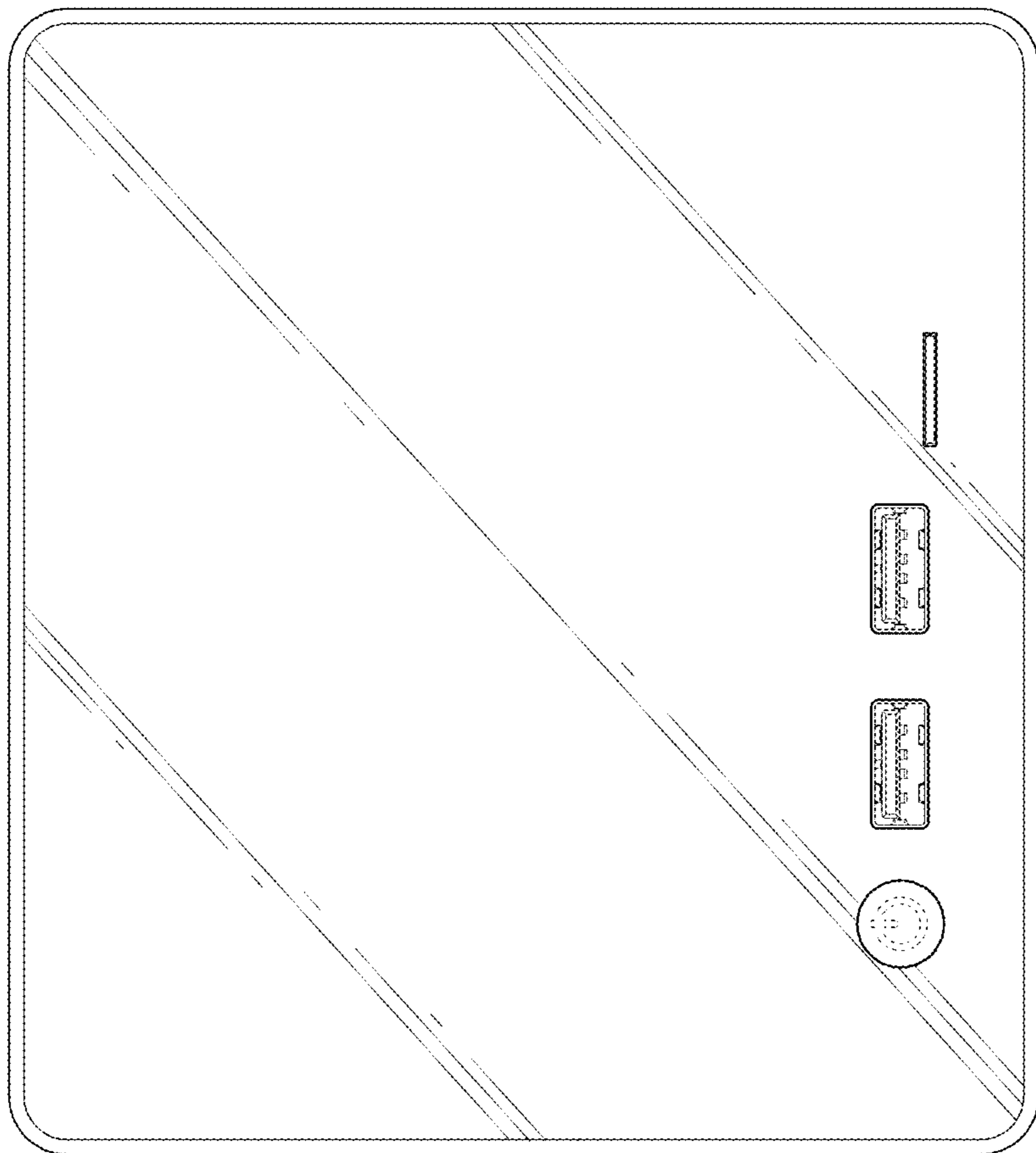


FIG. 2

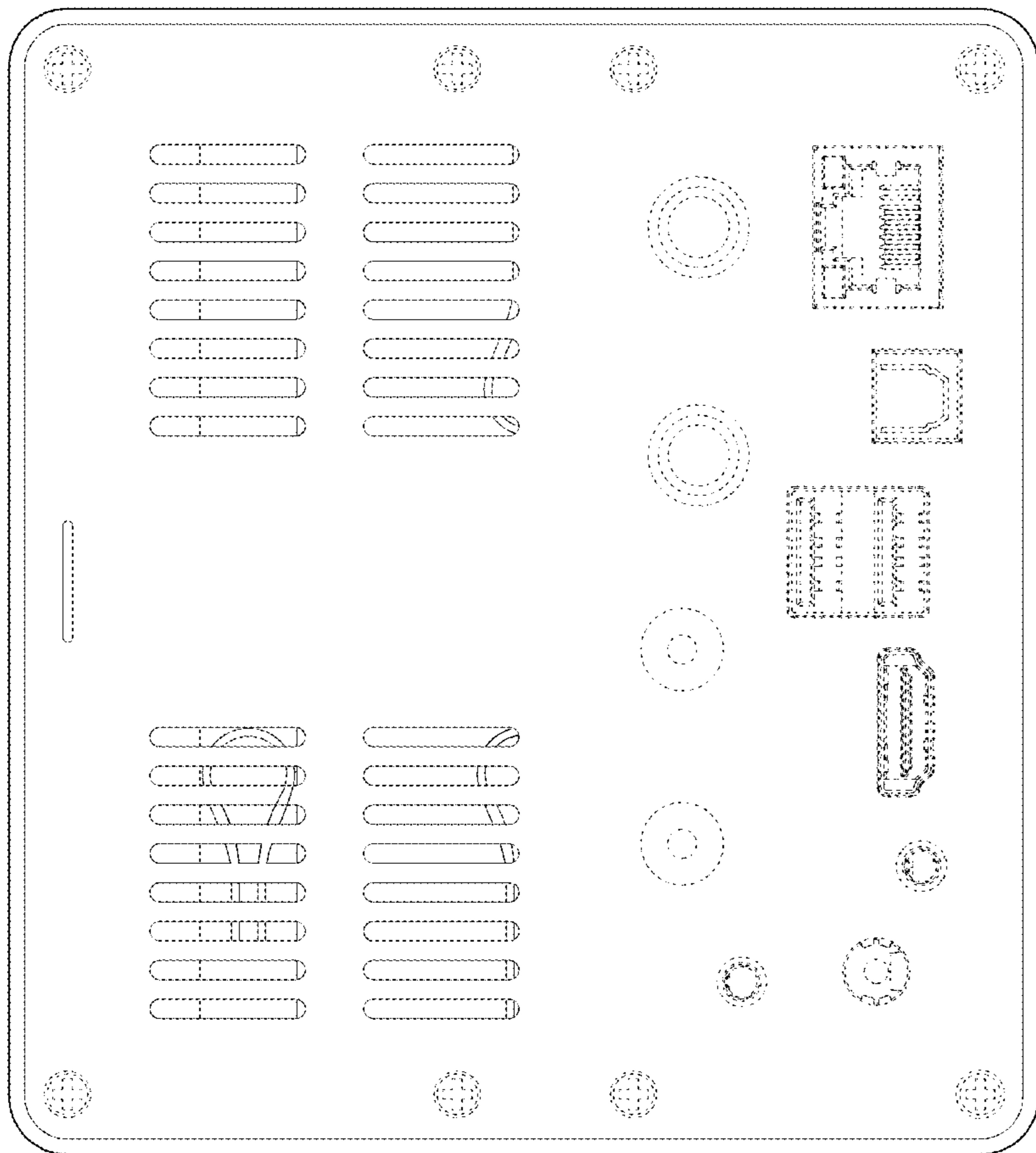


FIG. 3

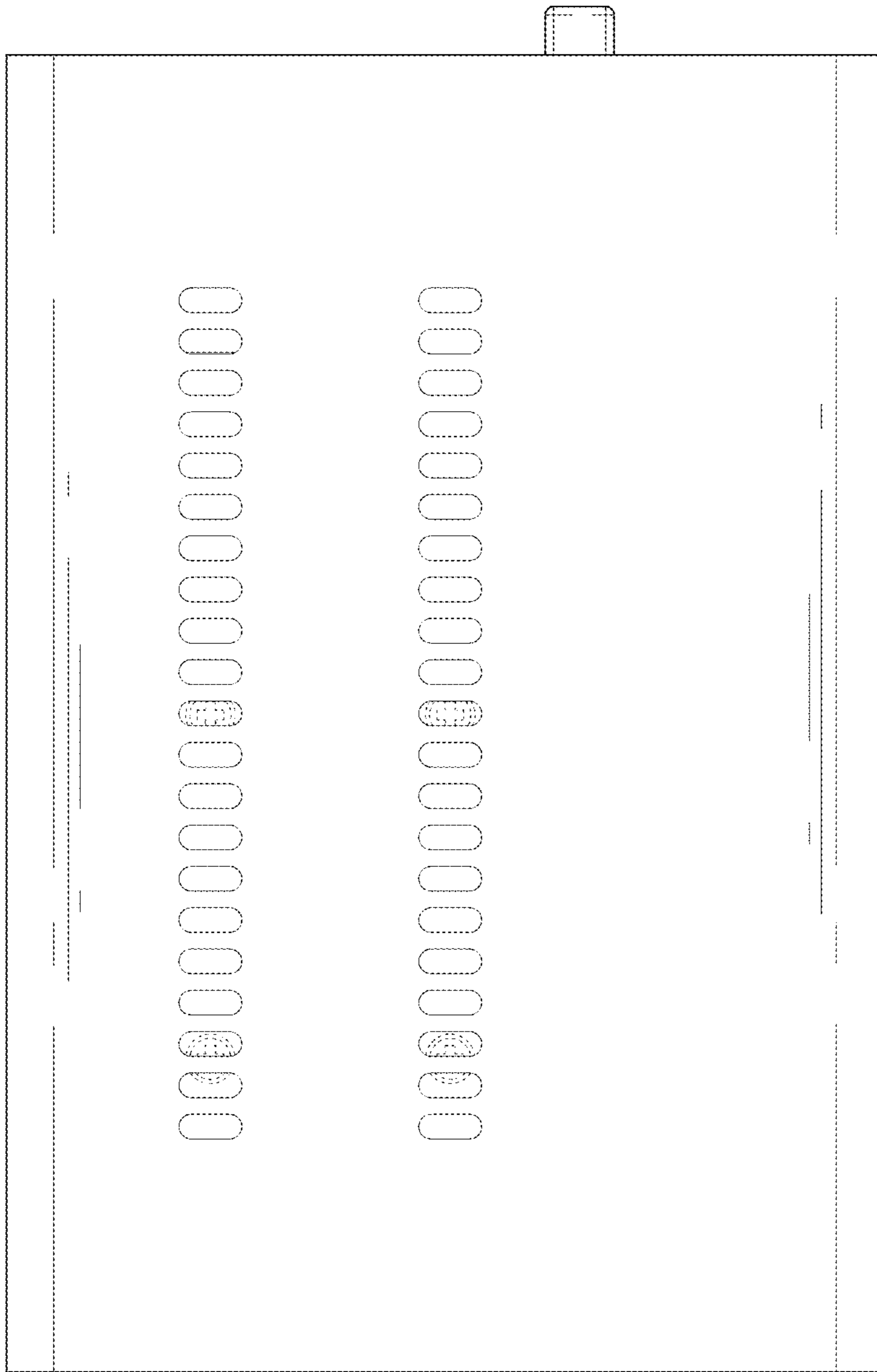


FIG. 4

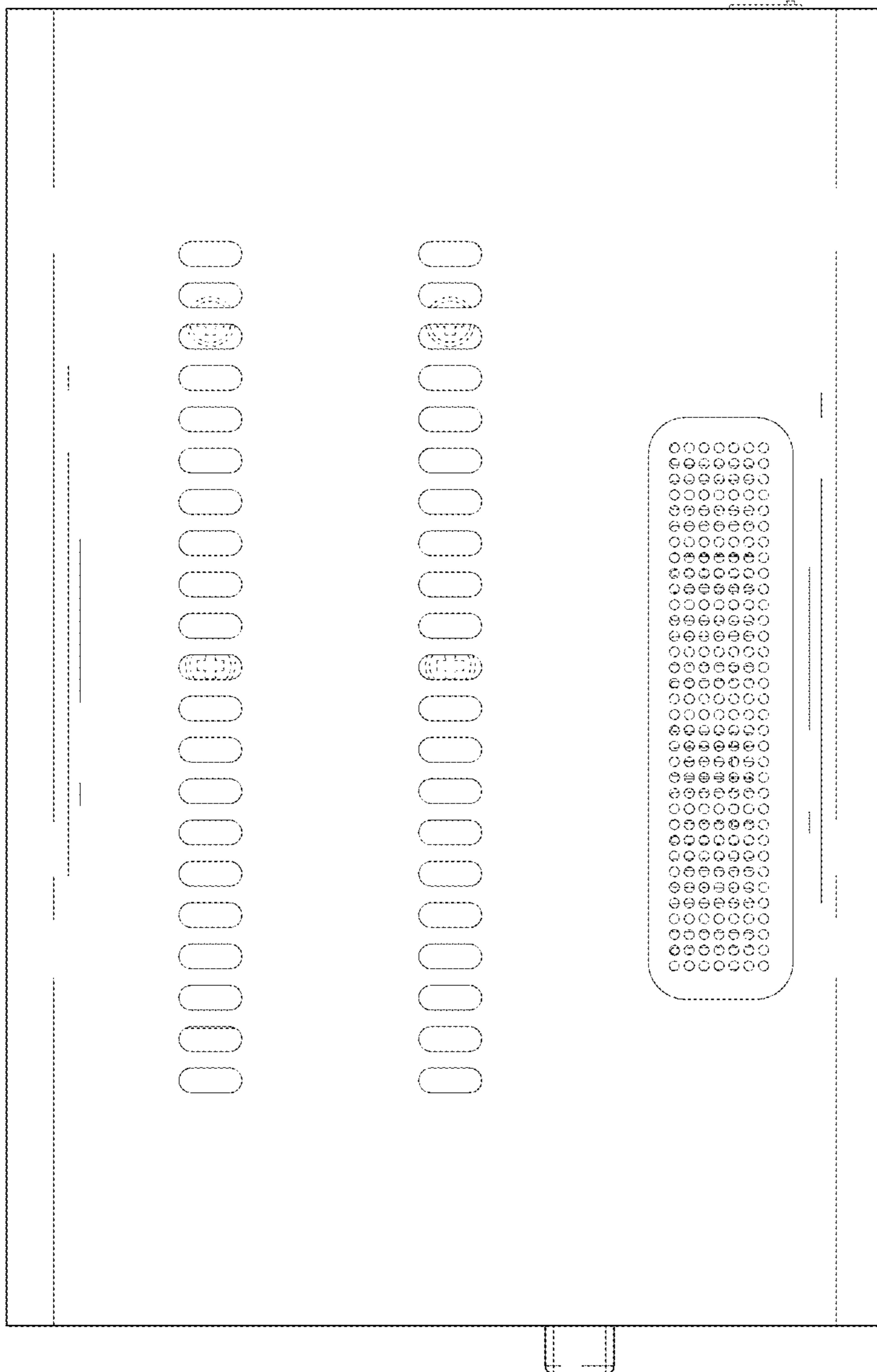


FIG. 5

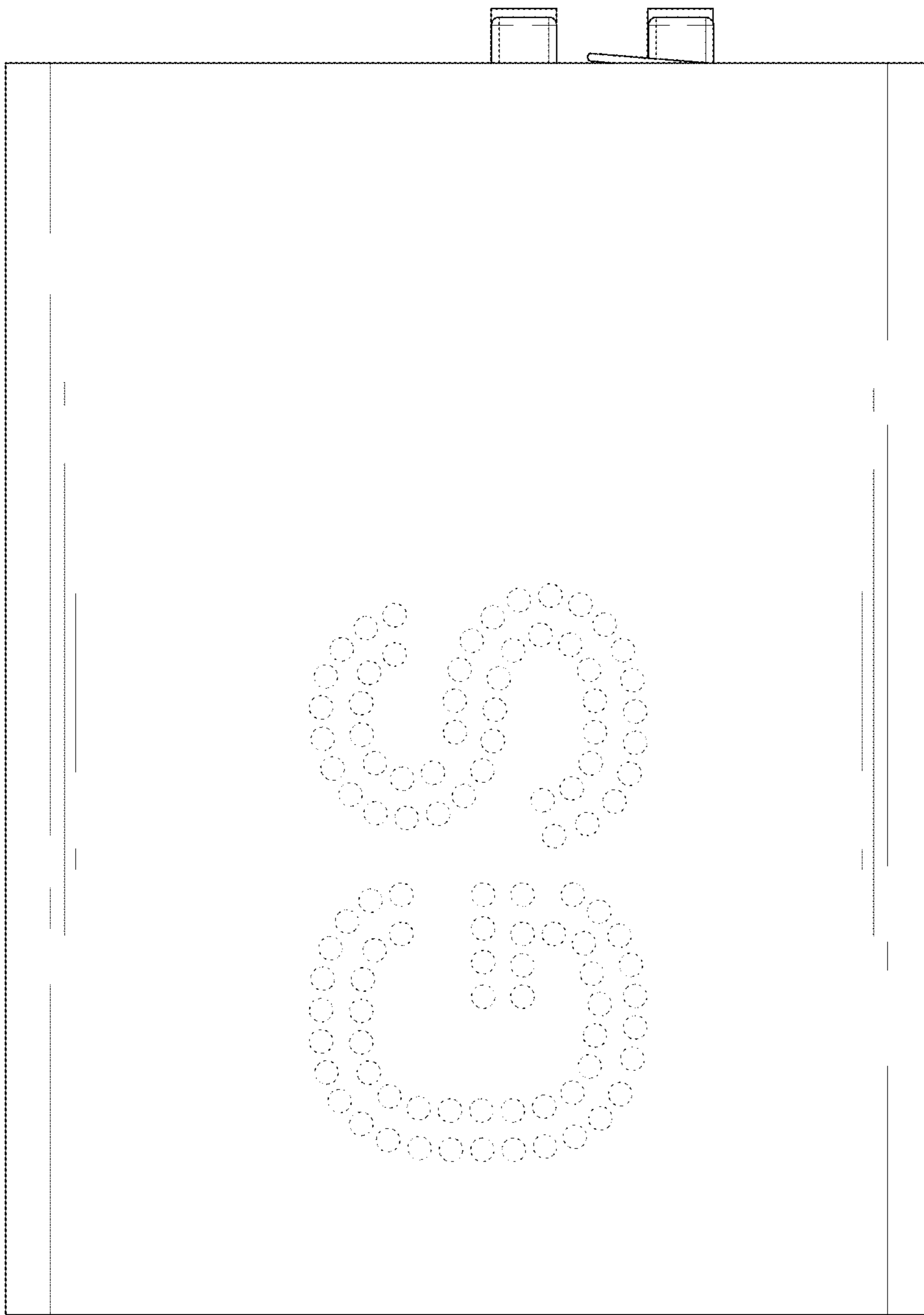


FIG. 6

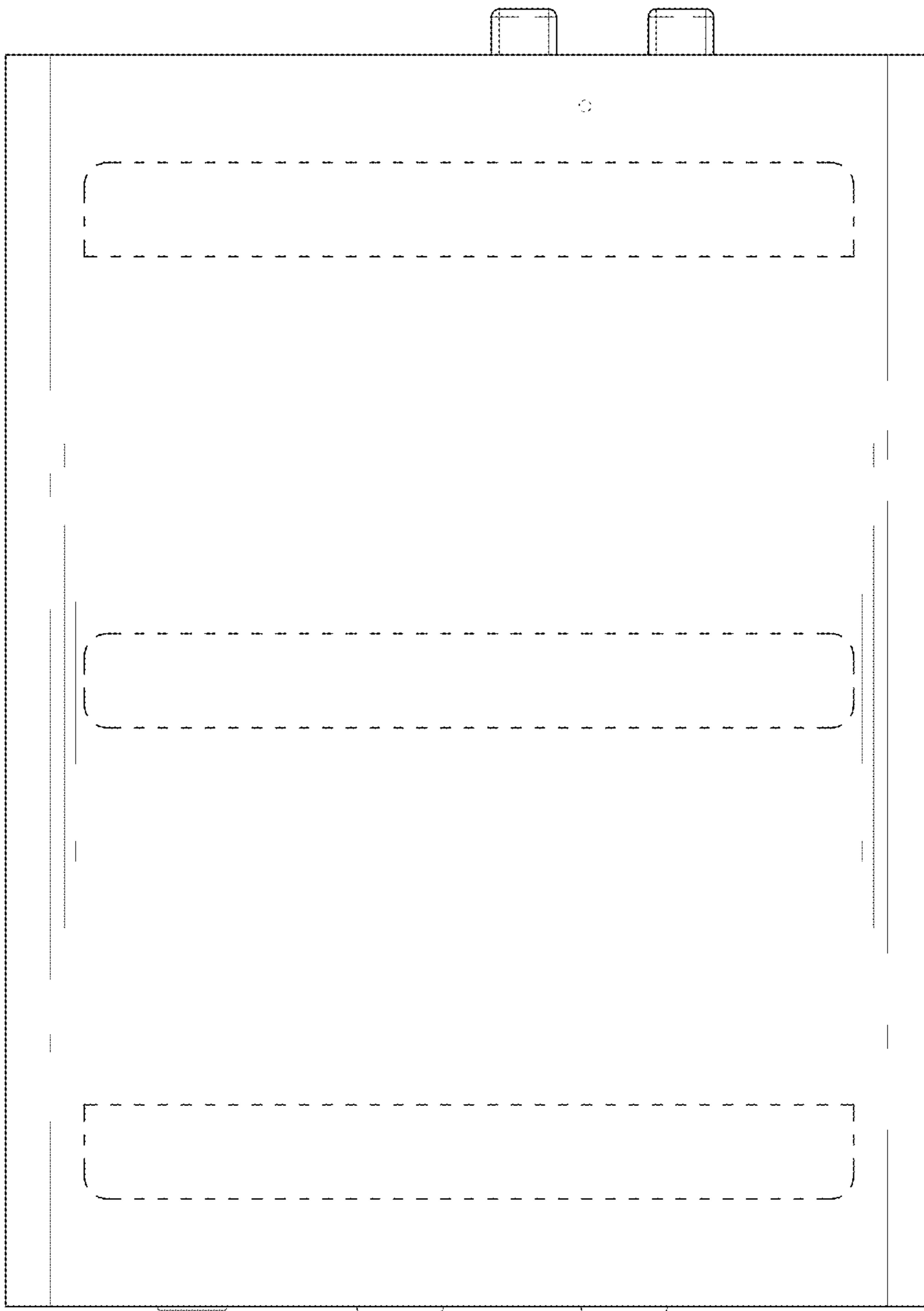


FIG. 7