



US00D910703S

(12) **United States Design Patent** (10) **Patent No.:** **US D910,703 S**  
**Zurmoehle et al.** (45) **Date of Patent:** **\*\* Feb. 16, 2021**

(54) **DISPLAY PANEL OR PORTION THEREOF WITH A TRANSITIONAL MIXED REALITY GRAPHICAL USER INTERFACE**

(71) Applicant: **MAGIC LEAP, INC.**, Plantation, FL (US)

(72) Inventors: **Tim Zurmoehle**, Fort Lauderdale, FL (US); **Andrea Isabel Montoya**, Plantation, FL (US); **Lorena Pazmino**, Wilton Manors, FL (US)

(73) Assignee: **Magic Leap, Inc.**, Plantation, FL (US)

(\*\*) Term: **15 Years**

(21) Appl. No.: **29/722,963**

(22) Filed: **Feb. 3, 2020**

**Related U.S. Application Data**

(62) Division of application No. 29/635,373, filed on Jan. 30, 2018, now Pat. No. Des. 877,771.

(51) **LOC (13) Cl.** ..... **14-04**

(52) **U.S. Cl.**  
USPC ..... **D14/489**

(58) **Field of Classification Search**  
USPC ..... D14/485-495  
CPC .... G06F 3/048; G06F 3/0481; G06F 3/04812; G06F 3/04817; G06F 3/0482; G06F 3/0483; G06F 3/0484; G06F 3/04847; G06F 3/0485; G06F 3/04855; G06F 3/04886; G06Q 30/00; H03J 1/00; H03J 1/0008; H03J 1/0016; H03J 1/0025; H04N 5/00; H04N 5/08; H04N 5/14; H04N 5/222; H04N 5/225; H04N 5/232; H04N 5/445; H04N 5/44543; H04N 5/45; H04N 2005/44517; H04N 2005/44521; H04N 2005/44526; H04N 2005/4453; H04N

(Continued)

(56) **References Cited**

U.S. PATENT DOCUMENTS

D550,227 S \* 9/2007 Sato ..... D14/485  
D615,546 S \* 5/2010 Lundy ..... D14/485

(Continued)

OTHER PUBLICATIONS

Renata, Bassi. "Scare rating slider concept." dribbble.com. Jun. 21, 2018. Accessed Apr. 25, 2020. Available online at URL: <https://dribbble.com/shots/4734512-Scare-rating-slider-concept> (Year: 2018).\*

(Continued)

*Primary Examiner* — Christian P. McLean

(74) *Attorney, Agent, or Firm* — Vista IP Law Group, LLP

(57) **CLAIM**

The ornamental design for a display panel or portion thereof with a transitional mixed reality graphical user interface, as shown and described.

**DESCRIPTION**

FIG. 1 is a front view of a display panel or portion thereof with a transitional mixed reality graphical user interface showing a first image in a sequence of our design;

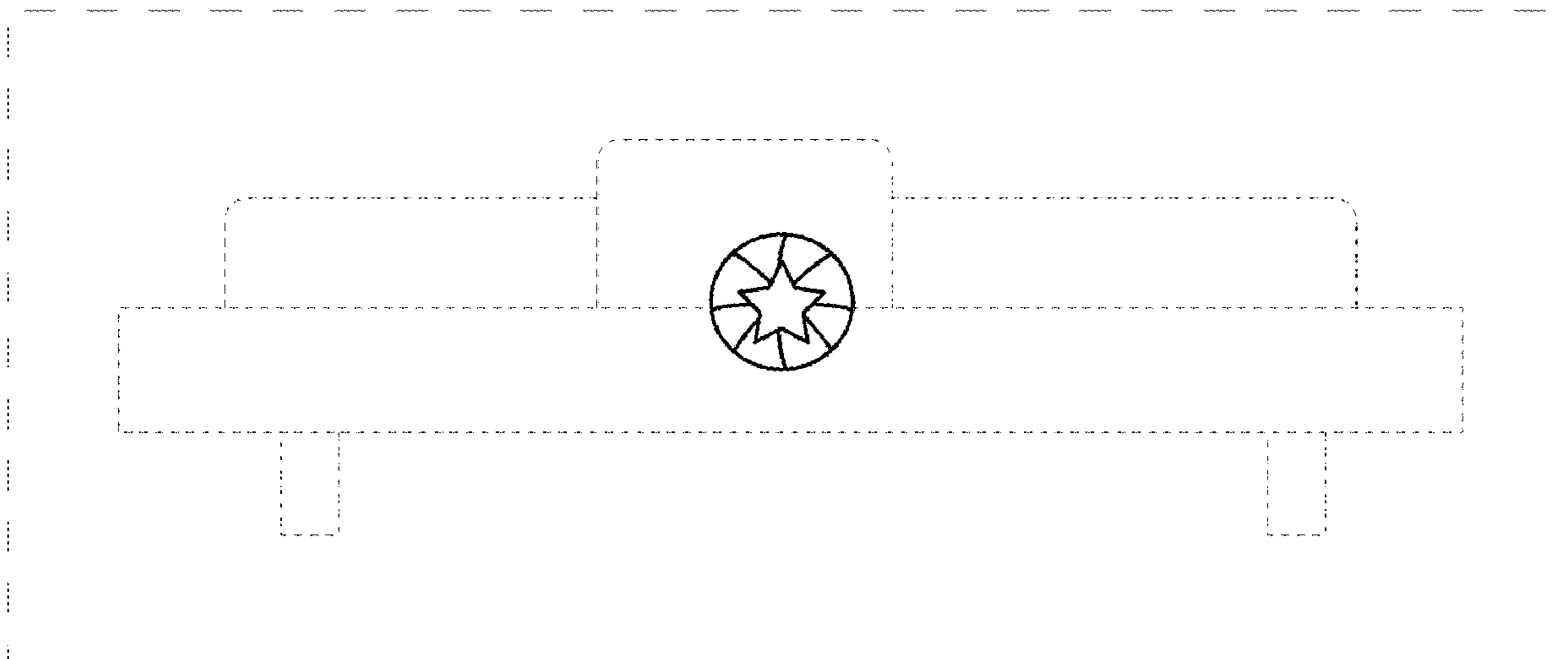
FIG. 2 is a front view of a second image in the sequence thereof; and,

FIG. 3 is a front view of a third image in the sequence thereof.

The appearance of the image sequentially transitions between the images shown in FIGS. 1-3. The process or period in which one image transitions into another forms no part of the claimed design.

The outermost broken line rectangle illustrates a display panel or portion thereof that forms no part of the claimed design. The remaining broken lines illustrate portions of the graphical user interface or a mixed reality environment, and form no part of the claimed design.

**1 Claim, 1 Drawing Sheet**



(58) **Field of Classification Search**

CPC ..... 2005/44534; H04N 2005/44539; H04N  
2005/44547; H04N 2005/44556; H04N  
2005/4456; H04N 2005/44565; H04N  
2005/44569; H04N 2005/44573; H04N  
21/00; H04N 21/234; H04N 21/431;  
H04N 21/4312; H04N 21/4314; H04N  
21/4316

See application file for complete search history.

(56) **References Cited**

U.S. PATENT DOCUMENTS

D754,717 S \* 4/2016 Li ..... D14/488  
D758,403 S \* 6/2016 Lee ..... D14/486  
D763,279 S \* 8/2016 Jou ..... D14/486  
D766,967 S \* 9/2016 Giovannini ..... D14/486  
D769,930 S \* 10/2016 Agrawal ..... D14/488  
D772,249 S \* 11/2016 Choi ..... D14/485  
D774,056 S \* 12/2016 Stein ..... D14/485  
D788,138 S \* 5/2017 Lee ..... D14/486  
D792,444 S \* 7/2017 Cho ..... D14/488  
D794,670 S \* 8/2017 Lee ..... D14/486  
D801,362 S \* 10/2017 Wang ..... D14/486  
D802,607 S \* 11/2017 Apodaca ..... D14/485  
D803,860 S \* 11/2017 Sugawara ..... D14/487  
D812,079 S \* 3/2018 Felt ..... D14/486  
D812,636 S \* 3/2018 Lim ..... D14/486  
D813,899 S \* 3/2018 Erant ..... D14/487  
D816,105 S \* 4/2018 Rudick ..... D14/486  
D819,072 S \* 5/2018 Clediere ..... D14/487  
D820,301 S \* 6/2018 Choi ..... D14/486  
D821,438 S \* 6/2018 Denis ..... D14/487  
D822,054 S \* 7/2018 Persson ..... D14/487  
D824,404 S \* 7/2018 Di Nicola ..... D14/485  
D831,687 S \* 10/2018 Varshavskaya ..... D14/486  
10,133,443 B2 \* 11/2018 Von Dehsen ..... H04L 12/2807  
D845,319 S \* 4/2019 Espeleta ..... D14/486  
D845,967 S \* 4/2019 Clediere ..... D14/485

D846,574 S \* 4/2019 Ekstrand ..... D14/485  
D857,736 S \* 8/2019 Lee ..... D14/487  
10,369,470 B2 \* 8/2019 Gerhard ..... A63F 13/426  
D858,567 S \* 9/2019 Bacchus ..... D14/488  
D859,426 S \* 9/2019 Poes ..... D14/485  
D859,427 S \* 9/2019 Jeon ..... D14/485  
D861,024 S \* 9/2019 Clediere ..... D14/486  
D869,478 S \* 12/2019 Choi ..... D14/485  
D877,771 S \* 3/2020 Zurmoehle ..... D14/489  
D878,400 S \* 3/2020 Georgallis ..... D14/485  
D878,410 S \* 3/2020 Eu ..... D14/487  
D881,210 S \* 4/2020 Anzures ..... D14/486  
2005/0229102 A1 \* 10/2005 Watson ..... G06F 3/0481  
715/739  
2007/0229535 A1 \* 10/2007 Sakai ..... G06F 9/451  
345/619  
2015/0186017 A1 \* 7/2015 Lee ..... H04M 1/67  
715/771  
2016/0253083 A1 \* 9/2016 Lee ..... G06F 3/04886  
715/771  
2017/0123638 A1 \* 5/2017 Yamada ..... G06F 3/0488

OTHER PUBLICATIONS

Bunin, Dmitriy. "Basic Actions Set." iconfinder.com. Mar. 3, 2020. Accessed Aug. 25, 2020. Available online at URL: <https://www.iconfinder.com/iconsets/basic-actions-set> (Year: 2020).\*

"Symplettts—Free vol. 2." iconfinder.com. Aug. 3, 2015. Accessed Aug. 25, 2020. Available online at URL: <https://www.iconfinder.com/iconsets/symplettts-part-2-free> (Year: 2015).\*

Response to Non-Final Office Action for U.S. Appl. No. 29/722,953 filed Jul. 28, 2020.

Response to Non-Final Office Action for U.S. Appl. No. 29/722,965 filed Jul. 28, 2020.

Notice of Allowance for U.S. Appl. No. 29/722,953 dated Aug. 28, 2020.

Notice of Allowance for U.S. Appl. No. 29/722,965 dated Aug. 28, 2020.

\* cited by examiner

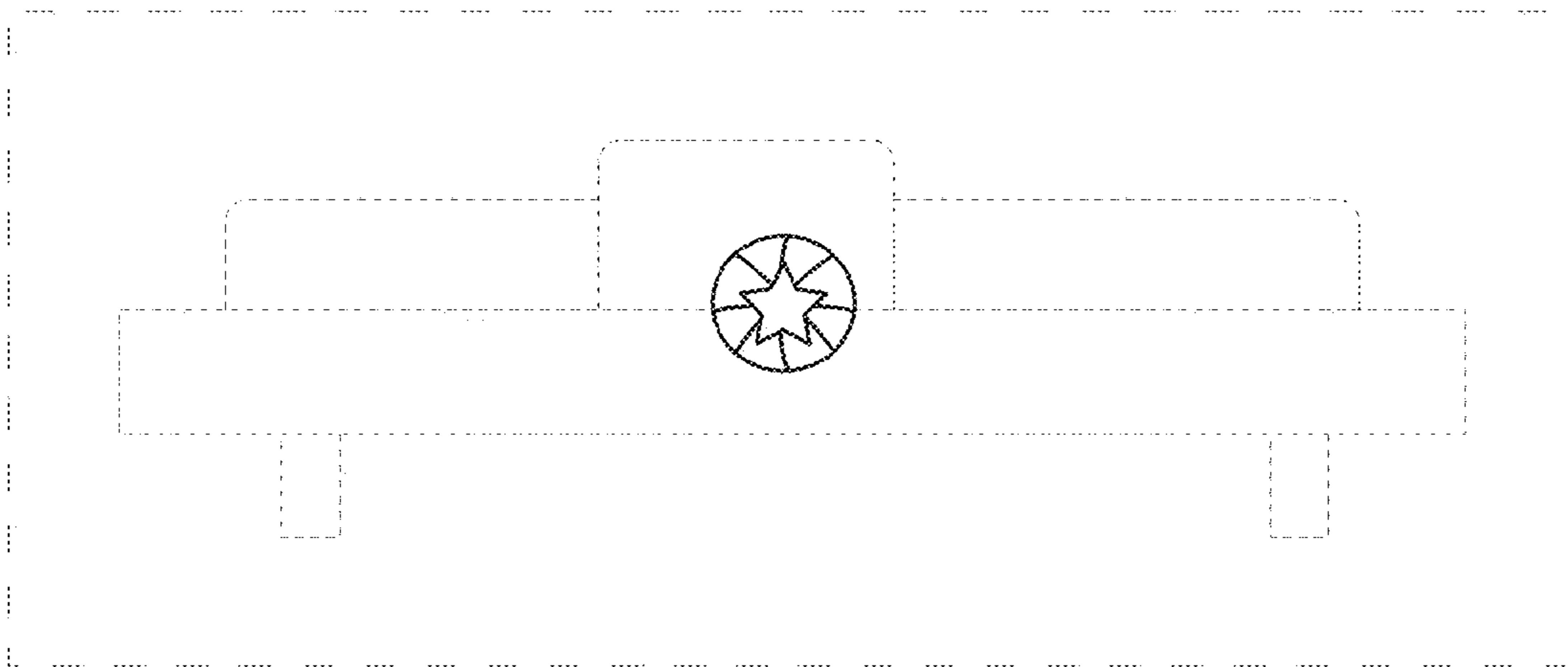


FIG. 1

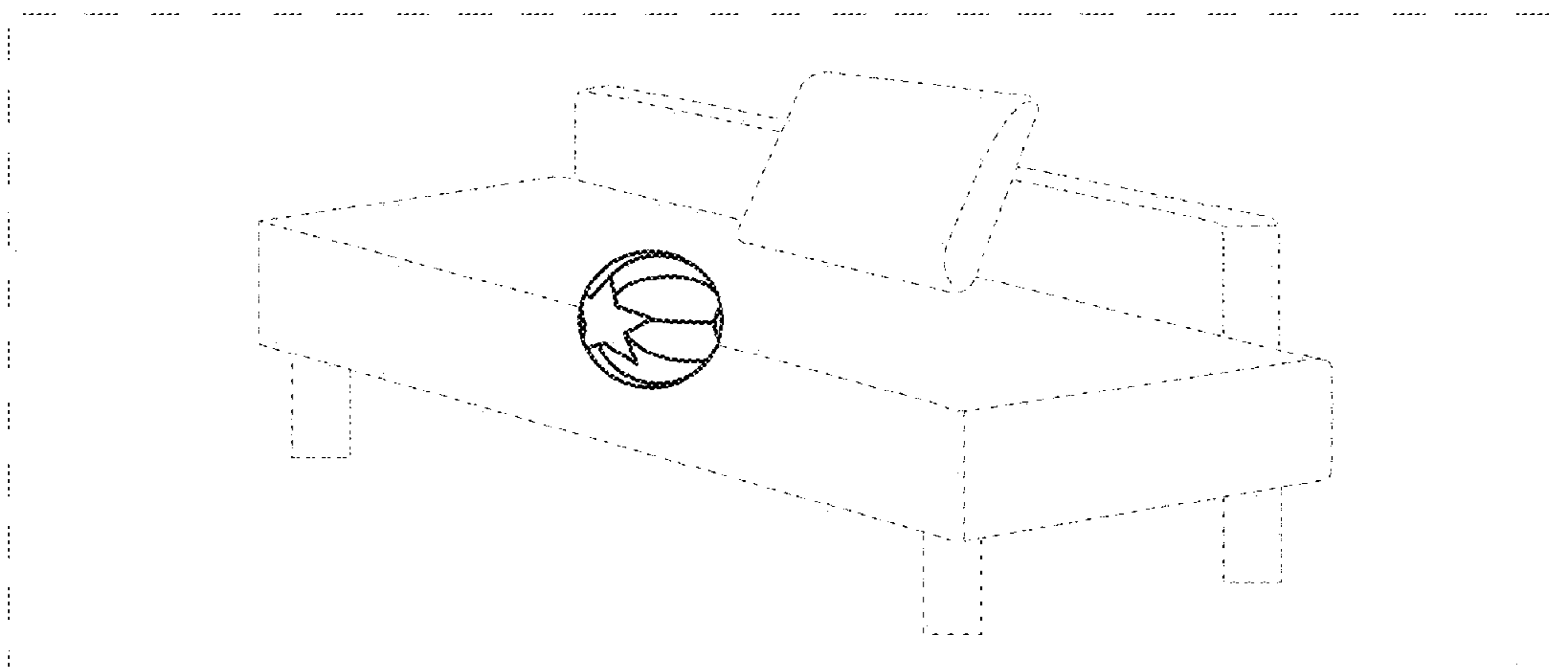


FIG. 2

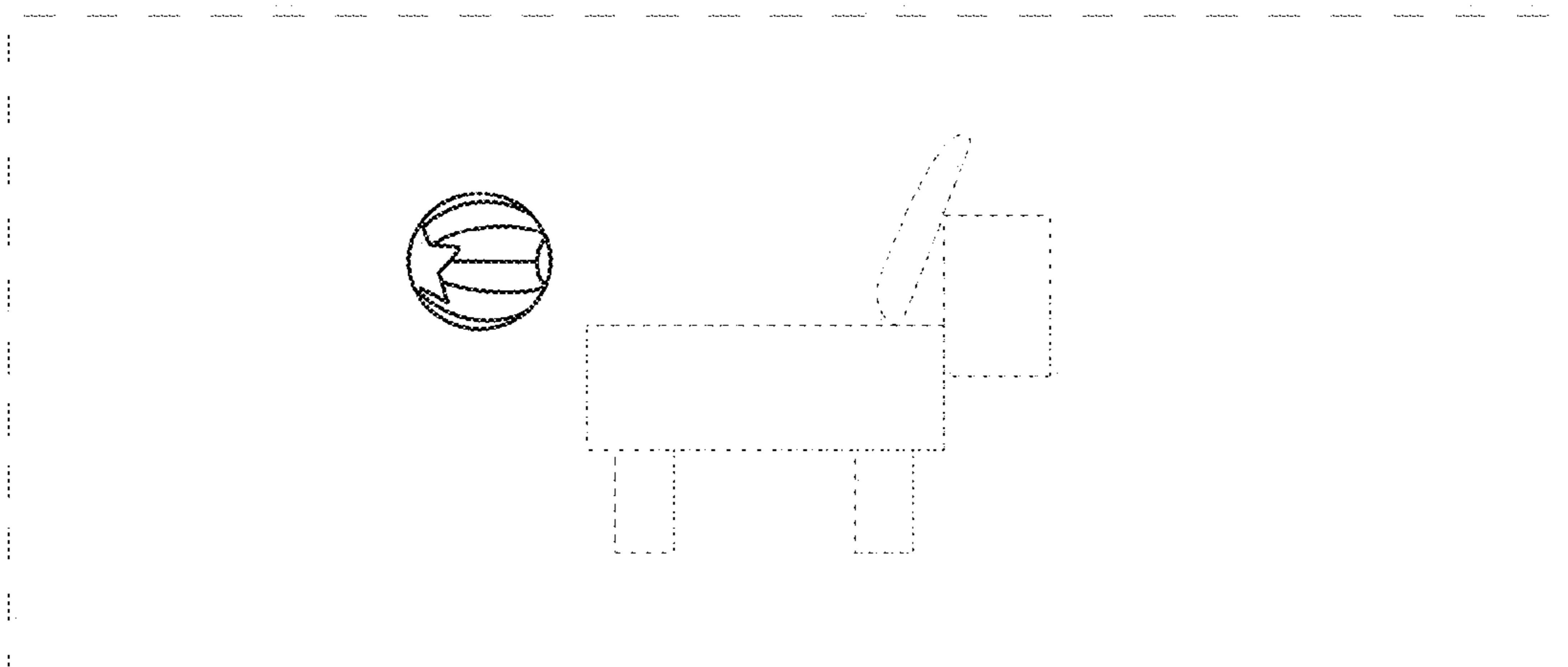


FIG. 3