



US00D910702S

(12) **United States Design Patent** (10) **Patent No.:** **US D910,702 S**
Zurmoehle et al. (45) **Date of Patent:** **** Feb. 16, 2021**

(54) **DISPLAY PANEL OR PORTION THEREOF WITH A TRANSITIONAL MIXED REALITY GRAPHICAL USER INTERFACE**

(71) Applicant: **MAGIC LEAP, INC.**, Plantation, FL (US)

(72) Inventors: **Tim Zurmoehle**, Fort Lauderdale, FL (US); **Andrea Isabel Montoya**, Plantation, FL (US); **Lorena Pazmino**, Wilton Manors, FL (US)

(73) Assignee: **Magic Leap, Inc.**, Plantation, FL (US)

(**) Term: **15 Years**

(21) Appl. No.: **29/722,953**

(22) Filed: **Feb. 3, 2020**

Related U.S. Application Data

(62) Division of application No. 29/635,373, filed on Jan. 30, 2018, now Pat. No. Des. 877,771.

(51) **LOC (13) Cl.** **14-04**

(52) **U.S. Cl.**
USPC **D14/489**

(58) **Field of Classification Search**
USPC D14/485-495
CPC G06F 3/048; G06F 3/0481; G06F 3/04812; G06F 3/04817; G06F 3/0482; G06F 3/0483; G06F 3/0484; G06F 3/04847; G06F 3/0485; G06F 3/04855; G06F 3/04886; G06Q 30/00; H03J 1/00; H03J 1/0008; H03J 1/0016; H03J 1/0025; H04N 5/00; H04N 5/08; H04N 5/14; H04N 5/222; H04N 5/225; H04N 5/232; H04N 5/445; H04N 5/44543; H04N 5/45; H04N 2005/44517; H04N 2005/44521; H04N 2005/44526; H04N 2005/4453; H04N 2005/44534; H04N 2005/44539; H04N

(Continued)

(56) **References Cited**

U.S. PATENT DOCUMENTS

D550,227 S * 9/2007 Sato D14/485
D615,546 S * 5/2010 Lundy D14/485

(Continued)

OTHER PUBLICATIONS

Renata, Bassi. "Scare rating slider concept." dribbble.com. Jun. 21, 2018. Accessed Apr. 25, 2020. Available online at URL: <https://dribbble.com/shots/4734512-Scare-rating-slider-concept> (Year: 2018).*

(Continued)

Primary Examiner — Christian P. McLean

(74) *Attorney, Agent, or Firm* — Vista IP Law Group, LLP

(57) **CLAIM**

The ornamental design for a display panel or portion thereof with a transitional mixed reality graphical user interface, as shown and described.

DESCRIPTION

FIG. 1 is a front view of a display panel or portion thereof with a transitional mixed reality graphical user interface showing a first image in a sequence of our design;

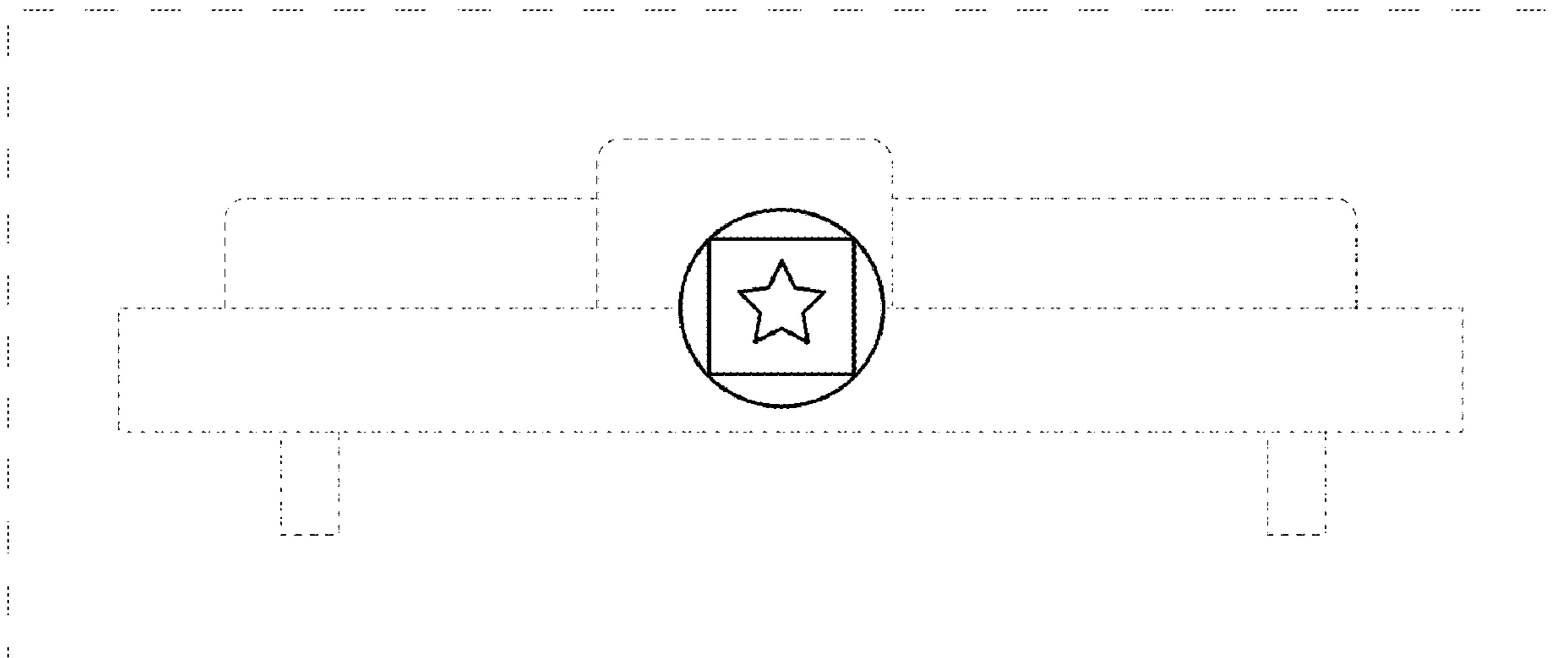
FIG. 2 is a front view of a second image in the sequence thereof; and,

FIG. 3 is a front view of a third image in the sequence thereof.

The appearance of the image sequentially transitions between the images shown in FIGS. 1-3. The process or period in which one image transitions into another forms no part of the claimed design.

The outermost broken line rectangle illustrates a display panel or portion thereof that forms no part of the claimed design. The remaining broken lines illustrate portions of the graphical user interface or a mixed reality environment, and form no part of the claimed design.

1 Claim, 1 Drawing Sheet



(58) **Field of Classification Search**

CPC 2005/44547; H04N 2005/44556; H04N
2005/4456; H04N 2005/44565; H04N
2005/44569; H04N 2005/44573; H04N
21/00; H04N 21/234; H04N 21/431;
H04N 21/4312; H04N 21/4314; H04N
21/4316

See application file for complete search history.

(56) **References Cited**

U.S. PATENT DOCUMENTS

D754,717 S * 4/2016 Li D14/488
D758,403 S * 6/2016 Lee D14/486
D763,279 S * 8/2016 Jou D14/486
D766,967 S * 9/2016 Giovannini D14/486
D769,930 S * 10/2016 Agrawal D14/488
D772,249 S * 11/2016 Choi D14/485
D774,056 S * 12/2016 Stein D14/485
D788,138 S * 5/2017 Lee D14/486
D792,444 S * 7/2017 Cho D14/488
D794,670 S * 8/2017 Lee D14/486
D801,362 S * 10/2017 Wang D14/486
D802,607 S * 11/2017 Apodaca D14/485
D803,860 S * 11/2017 Sugawara D14/487
D812,079 S * 3/2018 Felt D14/486
D812,636 S * 3/2018 Lim D14/486
D813,899 S * 3/2018 Erant D14/487
D816,105 S * 4/2018 Rudick D14/486
D819,072 S * 5/2018 Clediere D14/487
D820,301 S * 6/2018 Choi D14/486
D821,438 S * 6/2018 Denis D14/487
D822,054 S * 7/2018 Persson D14/487
D824,404 S * 7/2018 Di Nicola D14/485
D831,687 S * 10/2018 Varshavskaya D14/486
10,133,443 B2 * 11/2018 Von Dehsen H04L 12/2807
D845,319 S * 4/2019 Espeleta D14/486
D845,967 S * 4/2019 Clediere D14/485
D846,574 S * 4/2019 Ekstrand D14/485

D857,736 S * 8/2019 Lee D14/487
10,369,470 B2 * 8/2019 Gerhard A63F 13/426
D858,567 S * 9/2019 Bacchus D14/488
D859,426 S * 9/2019 Poes D14/485
D859,427 S * 9/2019 Jeon D14/485
D861,024 S * 9/2019 Clediere D14/486
D869,478 S * 12/2019 Choi D14/485
D877,771 S * 3/2020 Zurmoehle D14/489
D878,400 S * 3/2020 Georgallis D14/485
D878,410 S * 3/2020 Eu D14/487
D881,210 S * 4/2020 Anzures D14/486
2005/0229102 A1 * 10/2005 Watson G06F 3/0481
715/739
2007/0229535 A1 * 10/2007 Sakai G06F 9/451
345/619
2015/0186017 A1 * 7/2015 Lee H04M 1/67
715/771
2016/0253083 A1 * 9/2016 Lee G06F 3/04886
715/771
2017/0123638 A1 * 5/2017 Yamada G06F 3/0488

OTHER PUBLICATIONS

Bunin, Dmitriy. "Basic Actions Set." iconfinder.com. Mar. 3, 2020. Accessed Aug. 25, 2020. Available online at URL: <https://www.iconfinder.com/iconsets/basic-actions-set> (Year: 2020).*

Response to Non-Final Office Action for U.S. Appl. No. 29/722,963 filed Jul. 28, 2020.

Response to Non-Final Office Action for U.S. Appl. No. 29/722,965 filed Jul. 28, 2020.

Notice of Allowance for U.S. Appl. No. 29/722,963 dated Aug. 28, 2020.

"Symplettis—Free vol. 2." iconfinder.com. Aug. 3, 2015. Accessed Aug. 25, 2020. Available online at URL: <https://www.iconfinder.com/iconsets/symplettis-part-2-free> (Year: 2015).

Notice of Allowance for U.S. Appl. No. 29/722,965 dated Aug. 28, 2020.

* cited by examiner

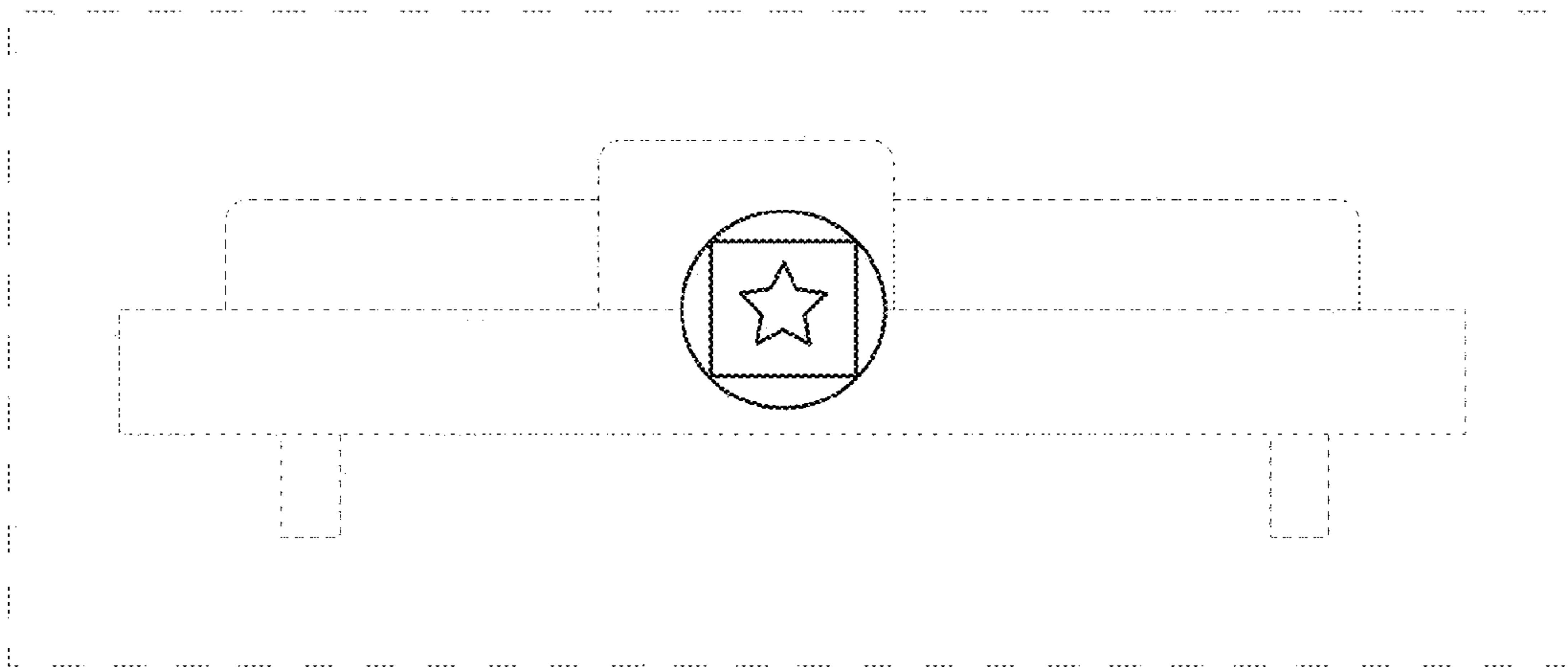


FIG. 1

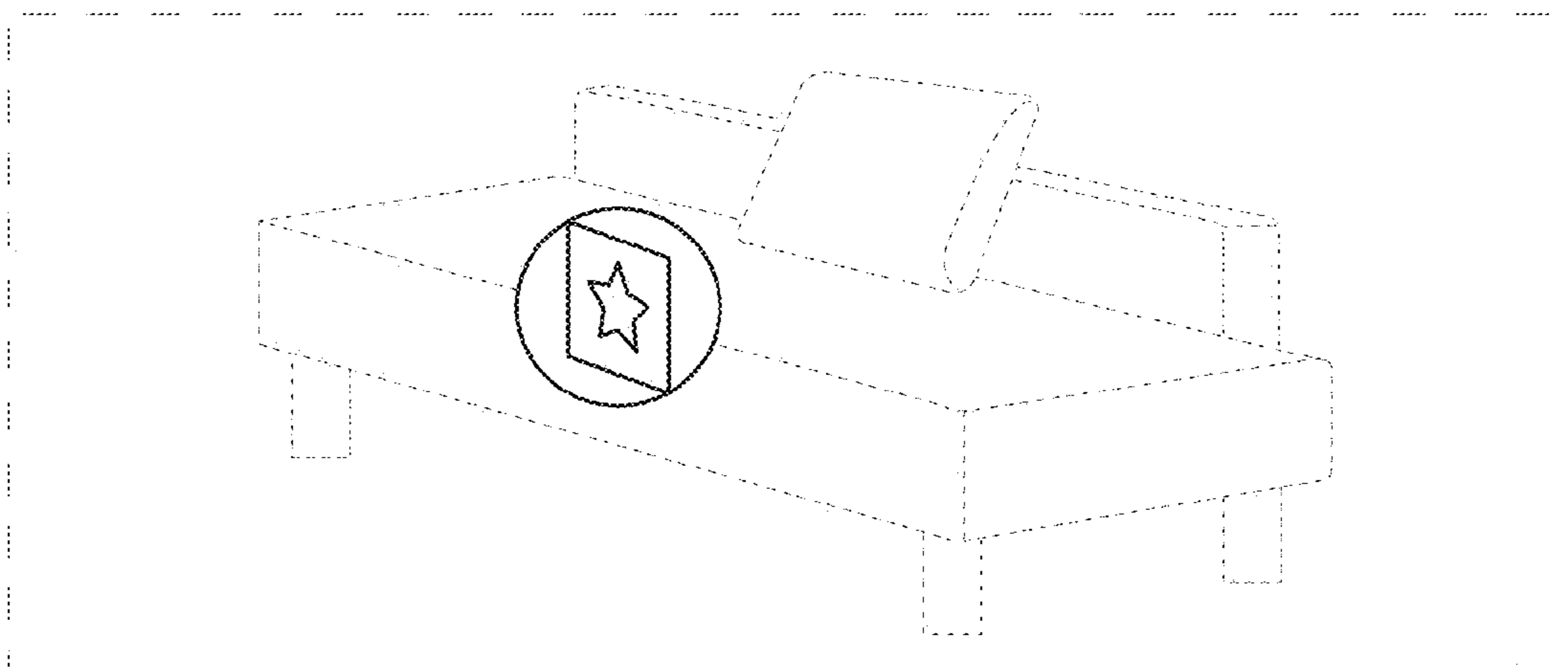


FIG. 2

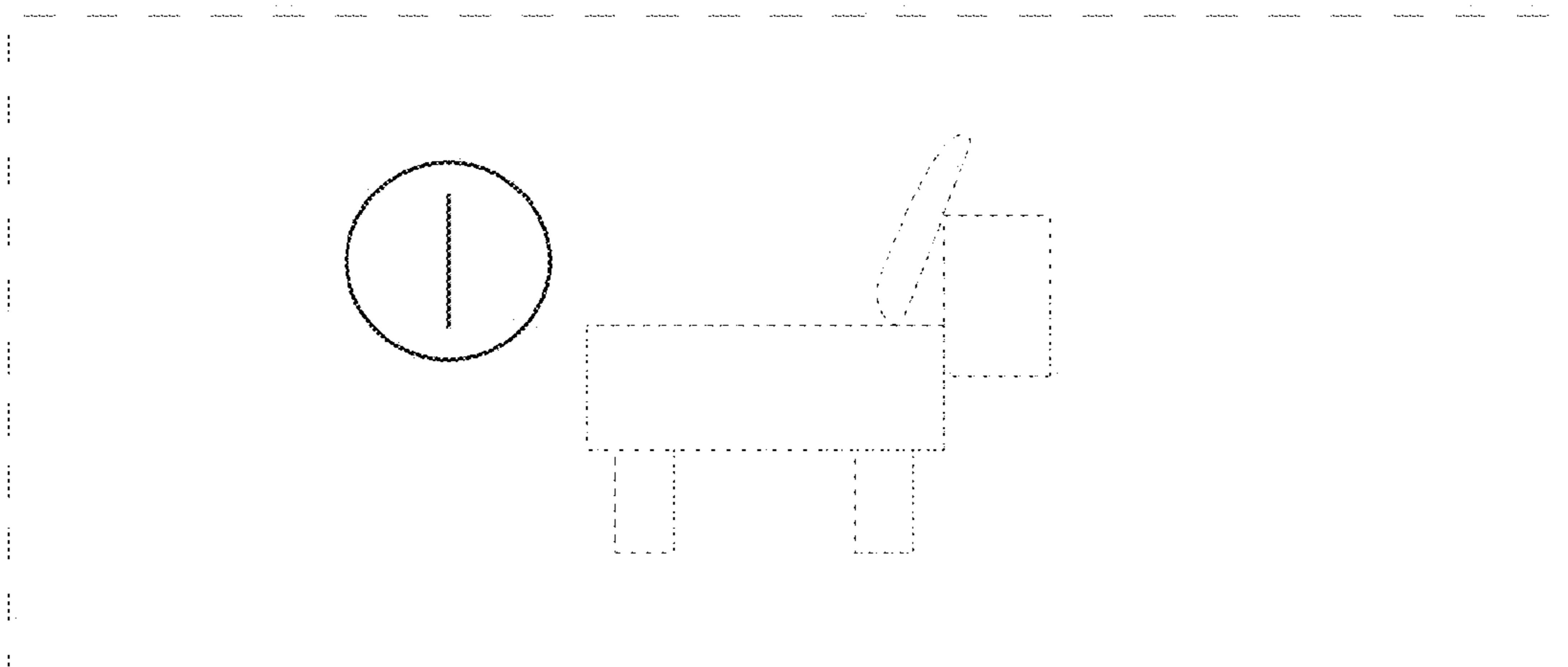


FIG. 3