

US00D910692S

(12) **United States Design Patent** (10) **Patent No.:** **US D910,692 S**
Coverstone et al. (45) **Date of Patent:** **** Feb. 16, 2021**

(54) **DISPLAY SCREEN OR PORTION THEREOF WITH ICON TRAY**

(74) *Attorney, Agent, or Firm* — McAndrews, Held & Malloy, Ltd.

(71) Applicant: **STAR CO Scientific Technologies Advanced Research Co, LLC**, Longview, TX (US)

(57) **CLAIM**

The ornamental design for a display screen or portion thereof with icon tray, as shown and described.

(72) Inventors: **Thomas E. Coverstone**, Longview, TX (US); **Jason Montgomery**, Longview, TX (US); **Rachel Pollard**, Longview, TX (US)

DESCRIPTION

(73) Assignee: **STAR CO SCIENTIFIC TECHNOLOGIES ADVANCED RESEARCH CO, LLC**, Longview, TX (US)

FIG. 1 is a front view of a display screen or portion thereof with icon tray showing our new design according to a first embodiment;

FIG. 2 is a front view of a display screen or portion thereof with icon tray showing our new design according to a second embodiment;

(**) Term: **15 Years**

FIG. 3 is a front view of a display screen or portion thereof with icon tray showing our new design according to a third embodiment;

(21) Appl. No.: **29/703,455**

FIG. 4 is a front view of a display screen or portion thereof with icon tray showing our new design according to a fourth embodiment;

(22) Filed: **Aug. 27, 2019**

FIG. 5 is a front view of a display screen or portion thereof with icon tray showing our new design according to a fifth embodiment.

(51) **LOC (13) Cl.** **14-04**

(52) **U.S. Cl.**
USPC **D14/487; D14/492**

(58) **Field of Classification Search**
USPC **D14/485–495**

(Continued)

FIG. 6 is a front view of a display screen or portion thereof with icon tray showing our new design according to a sixth embodiment;

(56) **References Cited**

U.S. PATENT DOCUMENTS

D533,872 S * 12/2006 Ligameri D14/492
D664,563 S * 7/2012 Phelan D14/492

(Continued)

FIG. 7 is a front view of a display screen or portion thereof with icon tray showing our new design according to a seventh embodiment;

FIG. 8 is a front view of a display screen or portion thereof with icon tray showing our new design according to an eighth embodiment;

OTHER PUBLICATIONS

“Icon Set—Stock Illustration.” depositphotos.com. Nov. 17, 2011. Accessed Sep. 23, 2020. Available online at URL: <https://depositphotos.com/7643852/stock-illustration-icon-set.html> (Year: 2011).*

(Continued)

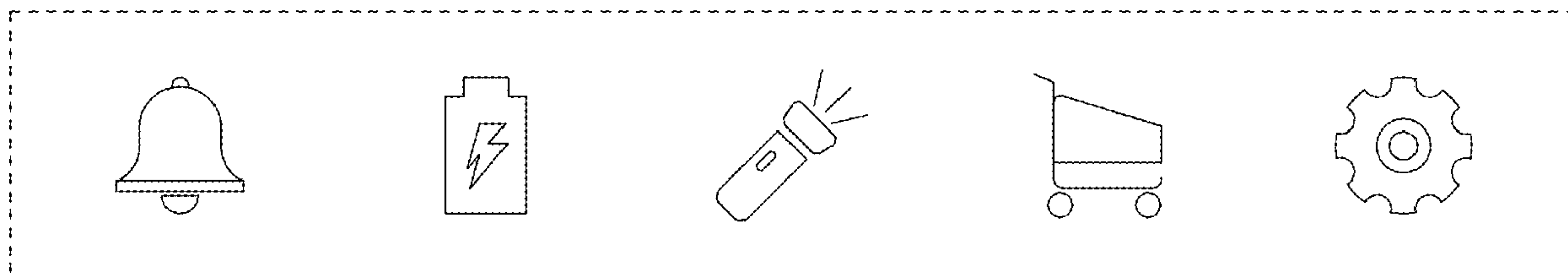
FIG. 9 is a front view of a display screen or portion thereof with icon tray showing our new design according to a ninth embodiment;

FIG. 10 is a front view of a display screen or portion thereof with icon tray showing our new design according to a tenth embodiment; and,

FIG. 11 is a front view of a display screen or portion thereof with icon tray showing our new design according to an eleventh embodiment.

Primary Examiner — Christian P. McLean

(Continued)



The outer perimeter shown in evenly-spaced dashed broken lines in the figures depicts a display screen or portion thereof and forms no part of the claimed design. The stipple shading in FIGS. 2-5 and 7-11 depicts a contrast of appearance and does not depict any particular color, texture, or material.

1 Claim, 2 Drawing Sheets

(58) **Field of Classification Search**

CPC G06F 3/048; G06F 3/0481; G06F 3/04812; G06F 3/04817; G06F 3/0482; G06F 3/0483; G06F 3/0484; G06F 3/04847; G06F 3/0485; G06F 3/04855; G06F 3/04886; G06Q 30/00; H03J 1/00; H03J 1/0008; H03J 1/0016; H03J 1/0025; H04N 5/00; H04N 5/08; H04N 5/14; H04N 5/222; H04N 5/225; H04N 5/232; H04N 5/445; H04N 5/44543; H04N 5/45; H04N 2005/44517; H04N 2005/44521; H04N 2005/44526; H04N 2005/4453; H04N 2005/44534; H04N 2005/44539; H04N 2005/44547; H04N 2005/44556; H04N 2005/4456; H04N 2005/44565; H04N 2005/44569; H04N 2005/44573; H04N 21/00; H04N 21/234; H04N

21/431; H04N 21/4312; H04N 21/4314; H04N 21/4316

See application file for complete search history.

(56)

References Cited

U.S. PATENT DOCUMENTS

D688,692	S	*	8/2013	Tanghe	D14/488
D709,096	S	*	7/2014	Matas	D14/492
D711,913	S	*	8/2014	Francisco	D14/489
D711,914	S	*	8/2014	Francisco	D14/489
D713,410	S	*	9/2014	Francisco	D14/485
D723,053	S	*	2/2015	Nagaoka	D14/486
D806,126	S	*	12/2017	Mander	D14/492
D823,342	S	*	7/2018	Kobayashi	D14/493
D834,609	S	*	11/2018	Stray	D14/487
D836,659	S	*	12/2018	Andrew	D14/486
D862,517	S	*	10/2019	Cerruti	D14/492
2016/0154545	A1	*	6/2016	Chiang	G06F 3/04817 715/811

OTHER PUBLICATIONS

“Online Store—Toolbars—Stock Illustration.” depositphotos.com. Aug. 25, 2015. Accessed Sep. 23, 2020. Available online at URL: <https://depositphotos.com/81660742/stock-illustration-online-store-toolbars.html> (Year: 2015).*

* cited by examiner

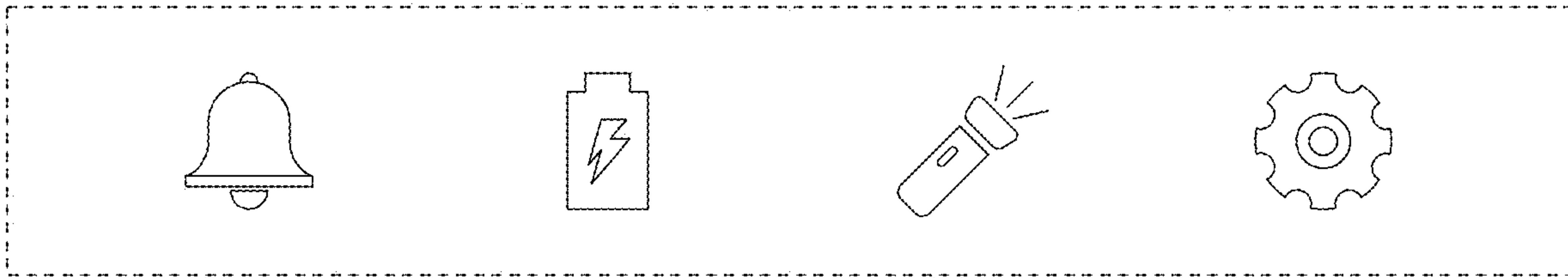


FIG. 1

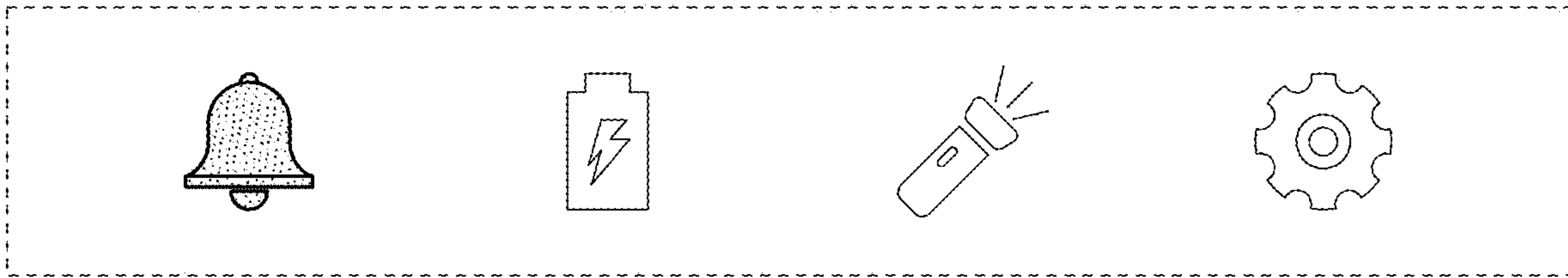


FIG. 2

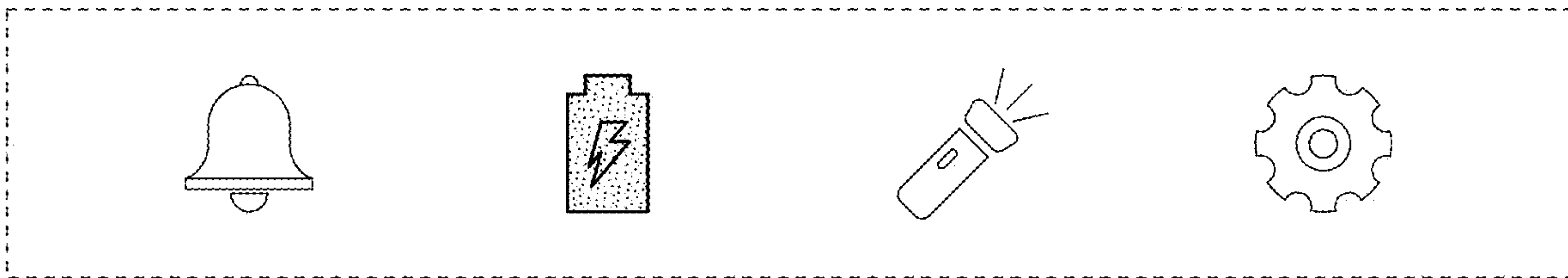


FIG. 3

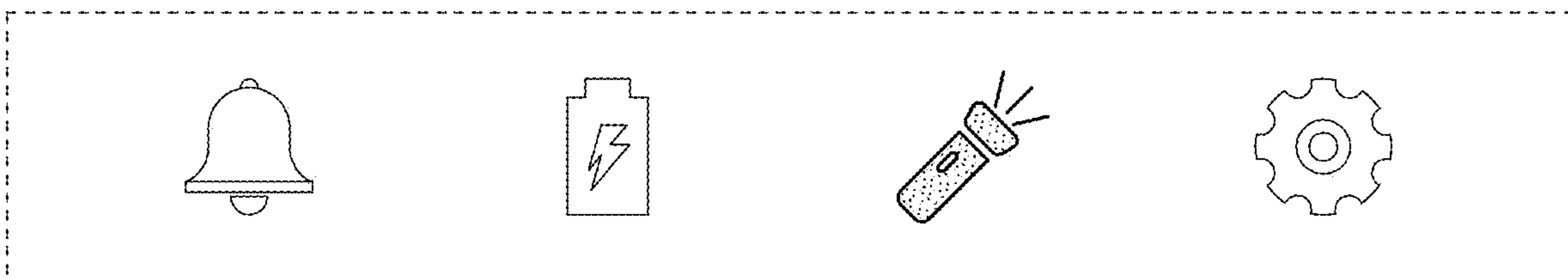


FIG. 4

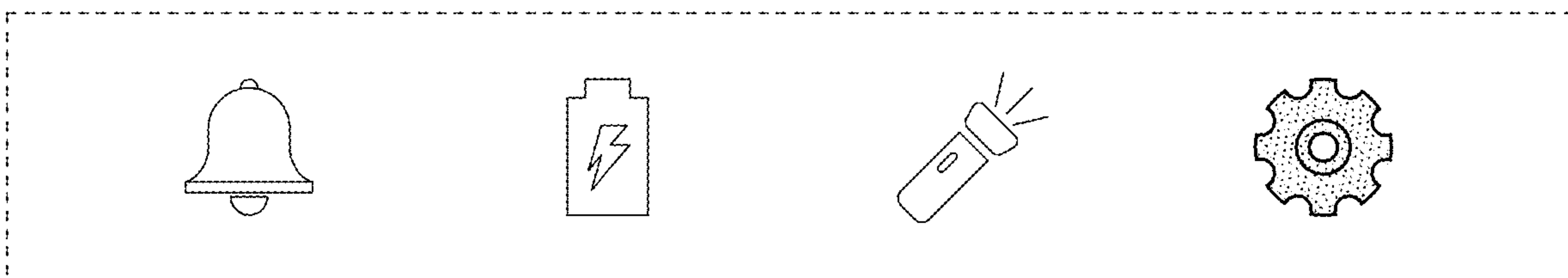


FIG. 5

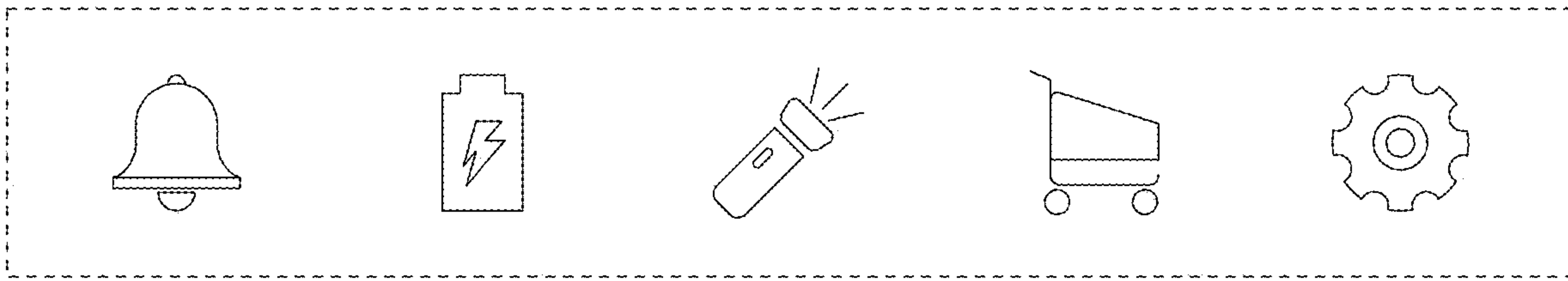


FIG. 6

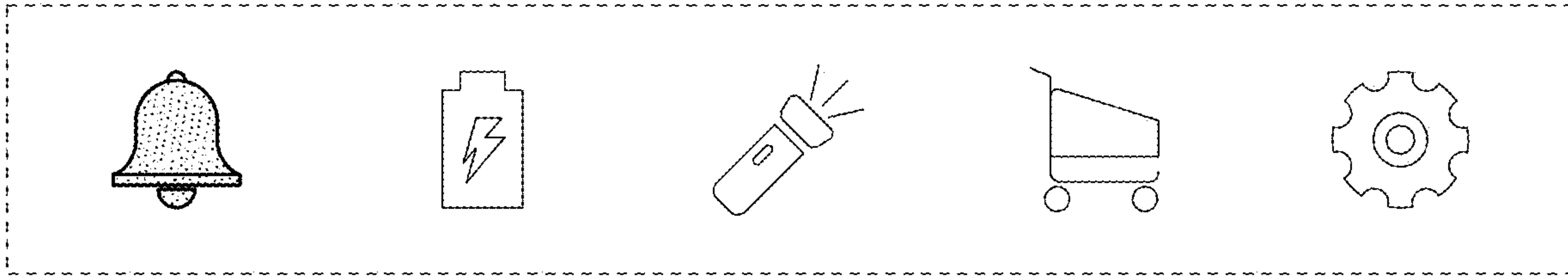


FIG. 7

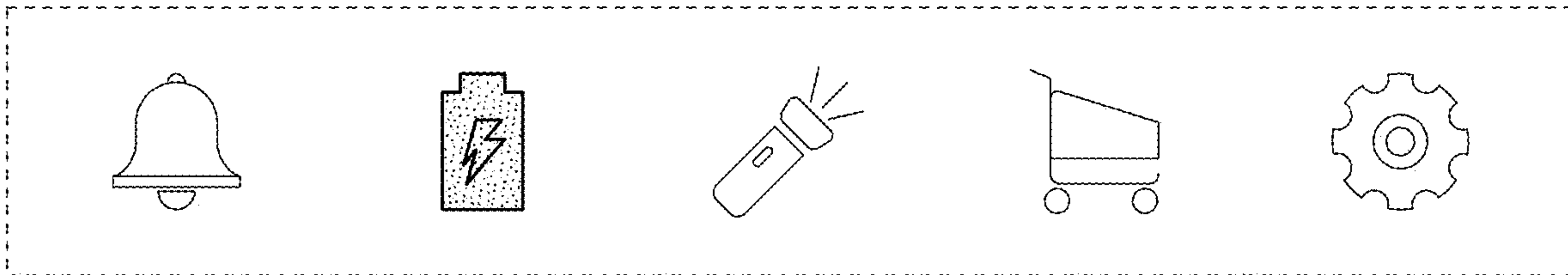


FIG. 8

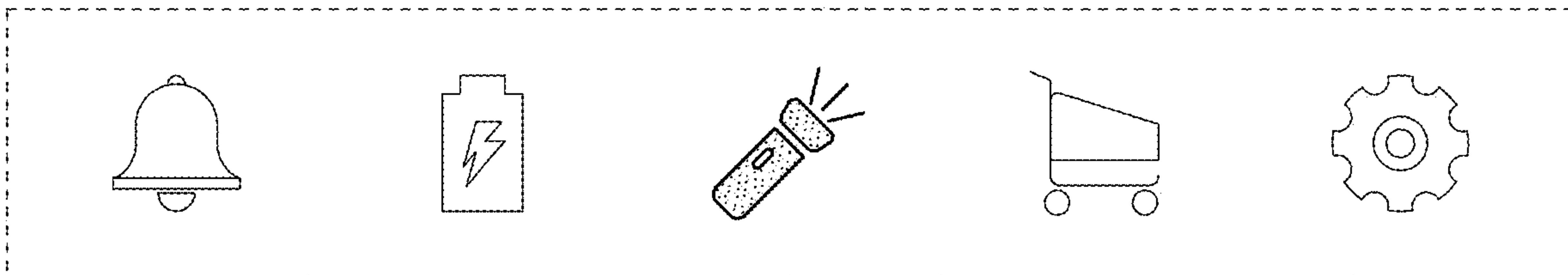


FIG. 9

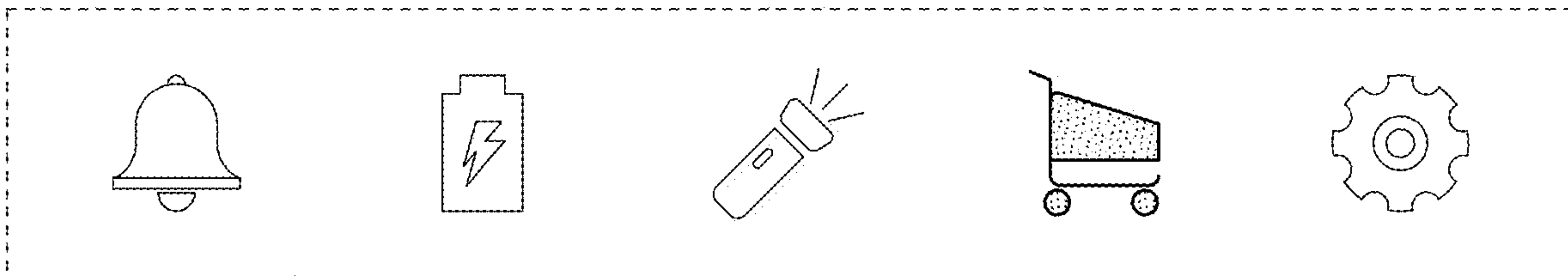


FIG. 10

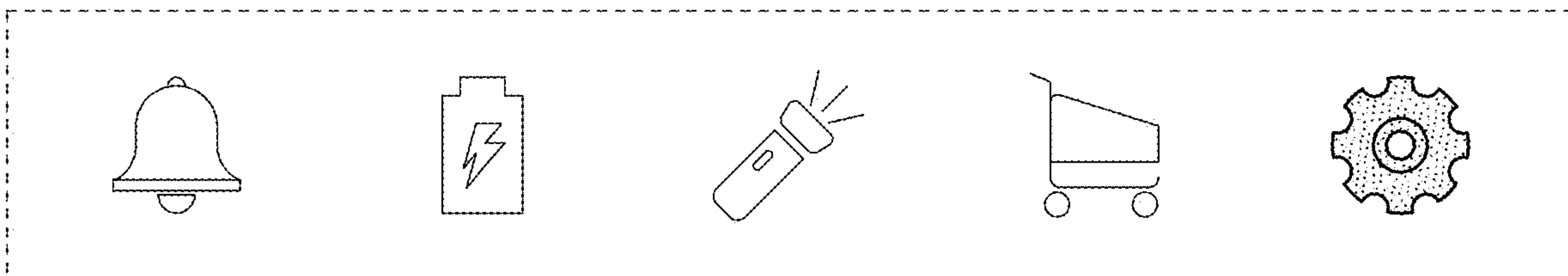


FIG. 11